



US00D578586S

(12) **United States Design Patent**
Oldknow et al.

(10) **Patent No.:** **US D578,586 S**
(45) **Date of Patent:** **** Oct. 14, 2008**

(54) **GOLF CLUB HEAD FOR A PUTTER**

(75) Inventors: **Andrew G. V. Oldknow**, Beaverton, OR (US); **John T. Stites**, Weatherford, TX (US); **David N. Franklin**, Granbury, TX (US)

(73) Assignee: **NIKE, Inc.**, Beaverton, OR (US)

(**) Term: **14 Years**

(21) Appl. No.: **29/305,799**

(22) Filed: **Mar. 27, 2008**

(51) **LOC (8) Cl.** **21-02**

(52) **U.S. Cl.** **D21/744**

(58) **Field of Classification Search** D21/736-746;
473/324-331, 340-341, 251-256

See application file for complete search history.

(56) **References Cited**

U.S. PATENT DOCUMENTS

D270,852 S	10/1983	Mahaffey et al.	
D281,092 S	10/1985	Mills	
4,693,478 A	9/1987	Long	
D307,043 S	4/1990	Werner	
D329,890 S	9/1992	Pinder	
D346,002 S	4/1994	Collins	
D394,689 S *	5/1998	Sheets	D21/743
D438,273 S	2/2001	Sizemore	
D438,923 S	3/2001	Broom	
D439,295 S	3/2001	Sizemore	
D443,906 S	6/2001	Hettinger et al.	
D449,085 S	10/2001	Breier et al.	
D458,658 S	6/2002	Jung	
D459,423 S	6/2002	Long	
6,416,421 B1	7/2002	Sery	
6,441,098 B2	8/2002	Halko et al.	
D464,696 S	10/2002	Long	
D474,520 S *	5/2003	Mills	D21/744
D498,276 S	11/2004	Schweigert et al.	
D502,749 S *	3/2005	Gillig	D21/742

6,951,518 B2	10/2005	Solheim et al.	
D522,195 S	5/2006	Chen	
D522,196 S	5/2006	Frederick et al.	
7,112,147 B2	9/2006	Solheim et al.	
D531,241 S *	10/2006	Hueber	D21/742
D532,467 S	11/2006	Aguinaldo et al.	
D533,242 S	12/2006	Tang	
D535,712 S	1/2007	Toroussian	
D548,294 S	8/2007	Nguyen et al.	
D551,727 S	9/2007	Sizemore	
D559,928 S *	1/2008	Cameron	D21/736
D565,677 S *	4/2008	Cameron	D21/736
D565,678 S *	4/2008	Cameron	D21/736
2003/0190973 A1	10/2003	Chiang	
2005/0159235 A1	7/2005	Gray	

OTHER PUBLICATIONS

Golfworks 1996 Full Line Catalog, p. 1-35, PM3, and p. 1-37, A-CH3.

(Continued)

Primary Examiner—Mitchell I Siegel

(74) *Attorney, Agent, or Firm*—Banner & Witcoff, Ltd

(57) **CLAIM**

The ornamental design for a golf club head for a putter, as shown and described.

DESCRIPTION

FIG. 1 is a top view of a golf club head for a putter showing our new design;

FIG. 2 is a side view thereof;

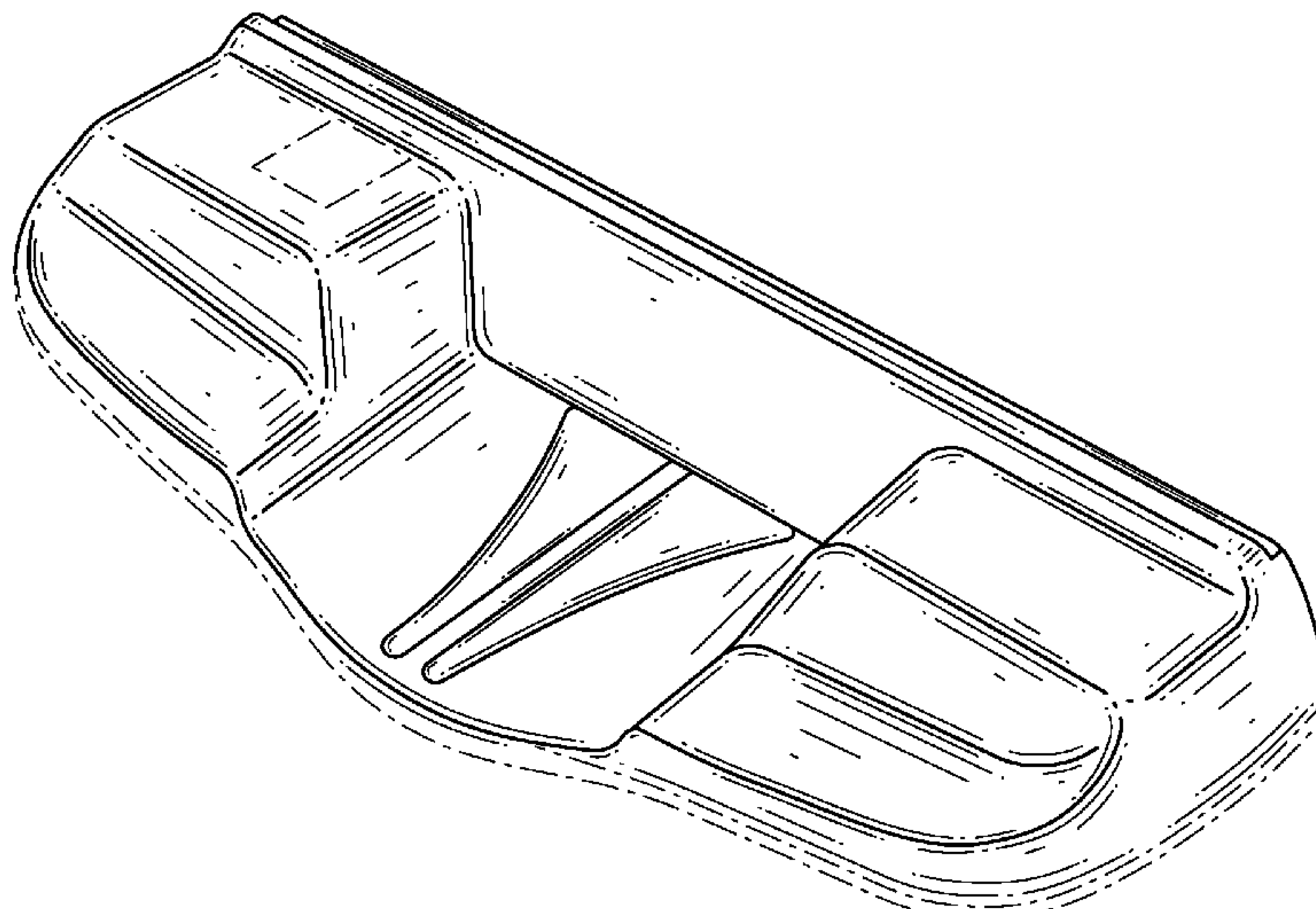
FIG. 3 is an alternate side view thereof;

FIG. 4 is a front view thereof; and,

FIG. 5 is a front perspective view thereof.

The broken line showing of the remainder of the golf club head for a putter is for illustrative purposes only and forms no part of the claimed design. The portion of the golf club head for a putter not shown forms no part of the claimed design.

1 Claim, 3 Drawing Sheets



OTHER PUBLICATIONS

Golfsmith 1997 Catalog, p. 74, Interface Series 4036, and p. 80, Golden arrow 4106.

Edwin Watts Spring 2000 Catalog, p. 70, Ping Anser 2i.

Edwin Watts Holiday 2002 Catalog, p. 14, #5406 Tour Maranello 8, and p. 11, White Hot #6 Long Neck 3040.

Edwin Watts Late Summer 2002 Catalog, p. 25, #0468 Never Compromise Top Putter Series.

Edwin Watts Summer 2003 Catalog, p. 40, #5924 Great White Poly Insert Putters.

Edwin Watts Golf Internet Printout, at <http://www.edwinwattsgolf.com/wcsstore/EdwinWatts/images/product/1569-3.jpg>, printed Mar. 4, 2008; Ping G51 Piper Putters.

Edwin Watts Golf Internet Printout, at <http://www.edwinwattsgolf.com/wcsstore/EdwinWatts/images/product/9817-3.jpg>, printed Mar. 4, 2008; Nike IC Series 20-10 A Putters.

* cited by examiner

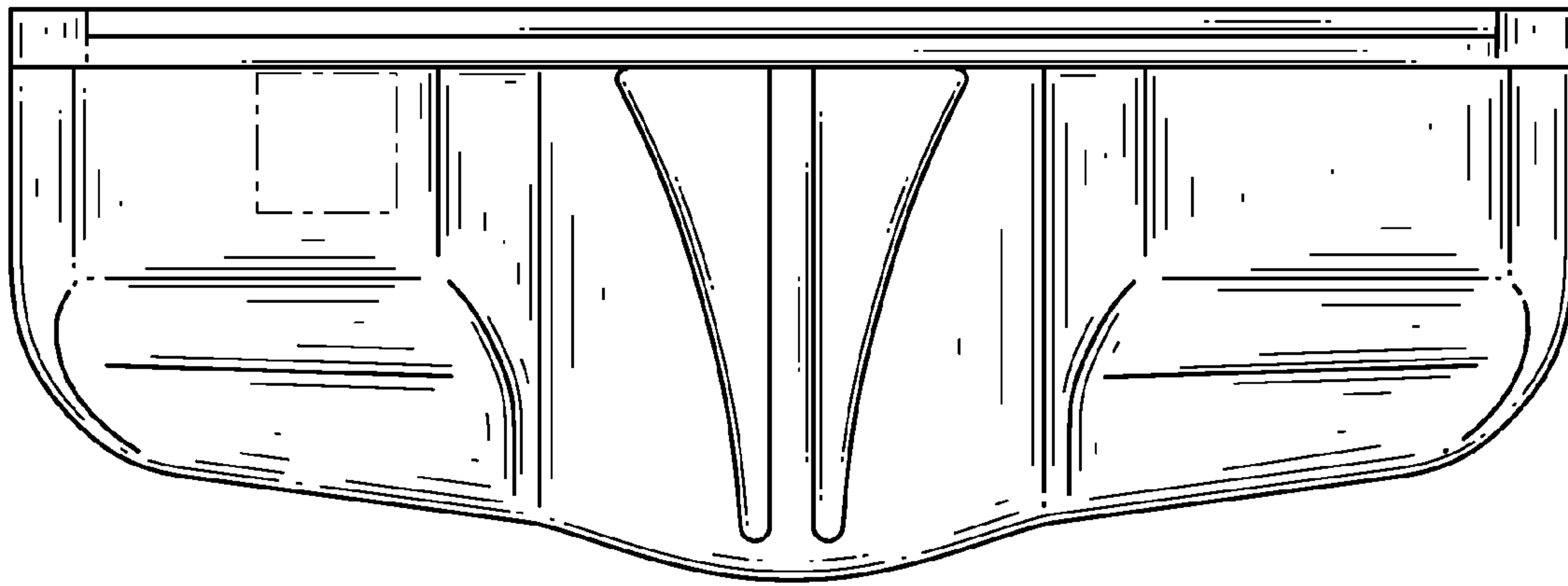


FIG. 1

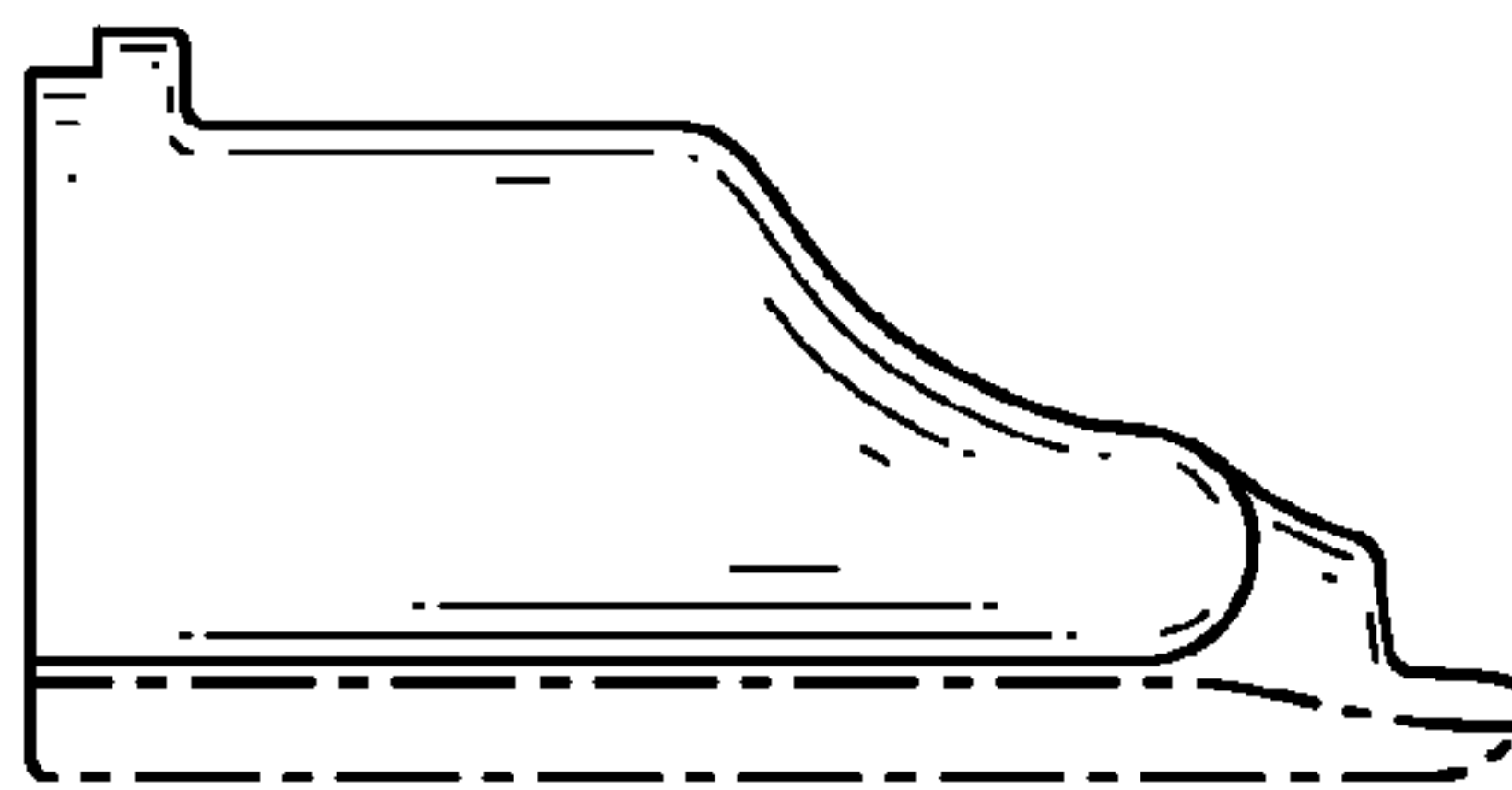


FIG. 2

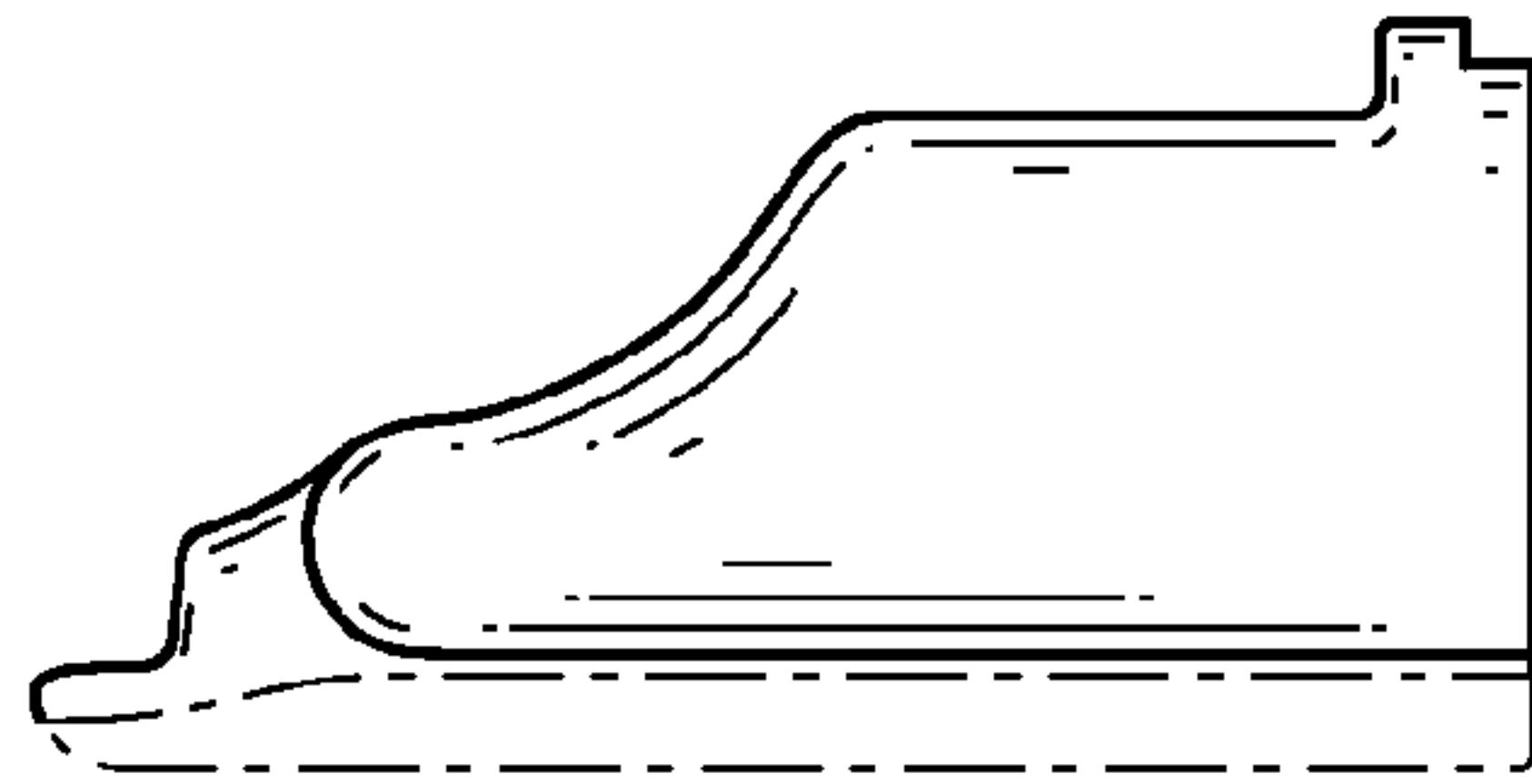


FIG. 3

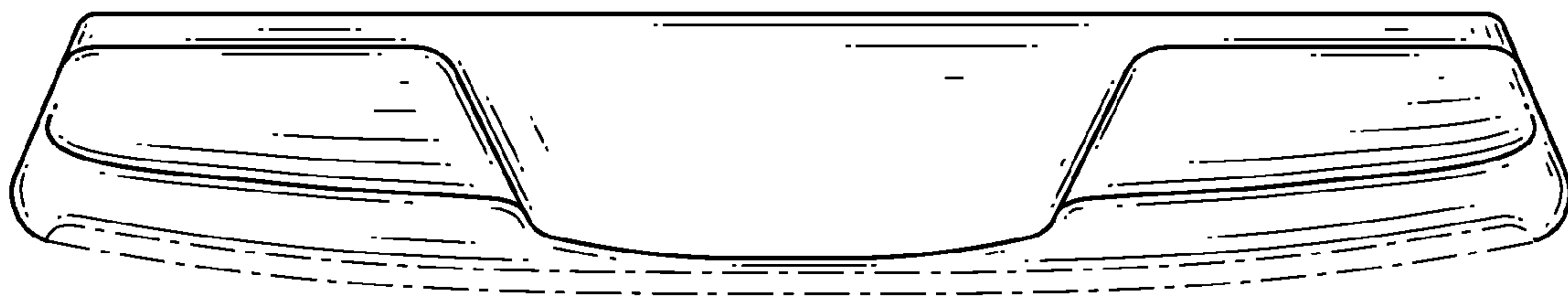


FIG. 4

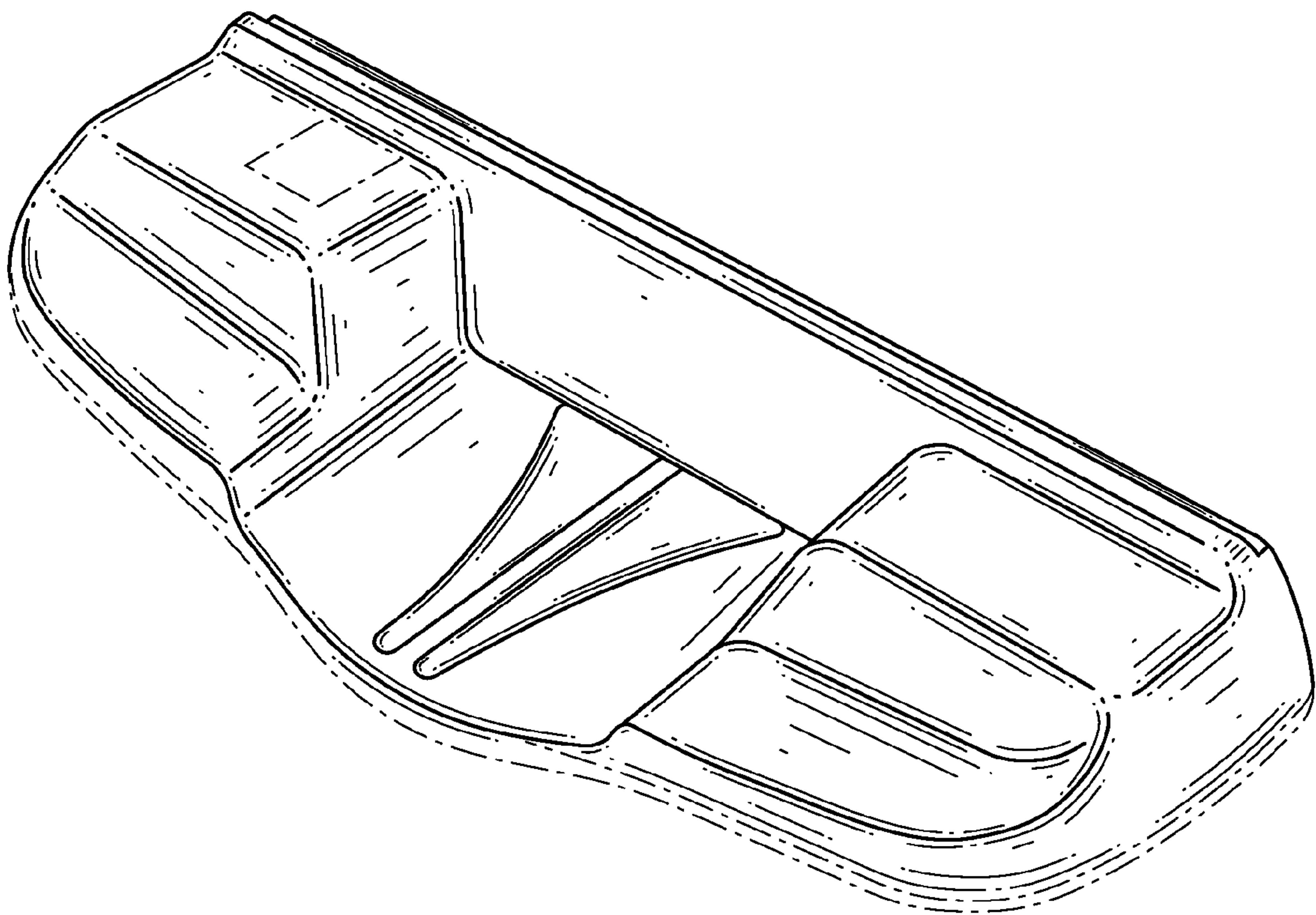


FIG. 5