



US00D578584S

(12) **United States Design Patent**
Bingham et al.

(10) **Patent No.:** **US D578,584 S**

(45) **Date of Patent:** **** Oct. 14, 2008**

(54) **CONSOLE FOR EXERCISE MACHINES**

7,094,180 B2 * 8/2006 Huang et al. 482/8

(75) Inventors: **Robert J. Bingham**, Everett, WA (US);
Christopher Loew, Palo Alto, CA (US)

(73) Assignee: **LeMond Fitness, Inc.**, Woodinville, WA (US)

(**) Term: **14 Years**

(21) Appl. No.: **29/248,206**

(22) Filed: **Aug. 2, 2006**

(51) **LOC (8) Cl.** **21-02**

(52) **U.S. Cl.** **D21/696**

(58) **Field of Classification Search** D21/662,
D21/663, 666, 667, 668, 669, 670, 694, 696;
D14/371; 482/4, 5, 51, 52, 54, 57, 70, 72,
482/902; 340/432

See application file for complete search history.

(56) **References Cited**

U.S. PATENT DOCUMENTS

| | | | |
|----------------|---------|----------------------|---------|
| D325,946 S * | 5/1992 | Cesaroni et al. | D21/663 |
| 5,149,084 A * | 9/1992 | Dalebout et al. | 482/3 |
| D343,214 S * | 1/1994 | Easley et al. | D21/668 |
| 5,403,252 A * | 4/1995 | Leon et al. | 482/5 |
| 5,629,668 A * | 5/1997 | Downs | 340/432 |
| D407,771 S | 4/1999 | Garza | |
| D412,192 S | 7/1999 | Birrell et al. | |
| D416,298 S | 11/1999 | Onuma et al. | |
| D427,156 S * | 6/2000 | Arnold et al. | D13/162 |
| D429,509 S | 8/2000 | Garza | |
| D438,579 S | 3/2001 | Arnold et al. | |
| D444,828 S | 7/2001 | Matsumoto | |
| D445,152 S | 7/2001 | Wang et al. | |
| D454,931 S | 3/2002 | Fon | |
| D456,053 S * | 4/2002 | Garza | D21/696 |
| 6,447,424 B1 * | 9/2002 | Ashby et al. | 482/8 |
| D526,370 S * | 8/2006 | Bingham et al. | D21/696 |

OTHER PUBLICATIONS

1 page printout from google image search for treadmill display.*

* cited by examiner

Primary Examiner—Philip S Hyder

(74) *Attorney, Agent, or Firm*—George C. Rondeau, Jr.;
Davis Wright Tremaine LLP

(57) **CLAIM**

The ornamental design for a console for exercise machines, as shown and described.

DESCRIPTION

FIG. 1 is a front perspective view of a console for exercise machines showing our new design.

FIG. 2 is a front elevational view thereof.

FIG. 3 is a rear elevational view thereof.

FIG. 4 is a top plan view thereof.

FIG. 5 is a bottom plan view thereof.

FIG. 6 is a right side elevational view thereof, the left side elevational view being a mirror image thereto.

FIG. 7 is a front perspective view of a second embodiment thereof.

FIG. 8 is a front elevational view thereof.

FIG. 9 is a rear elevational view thereof.

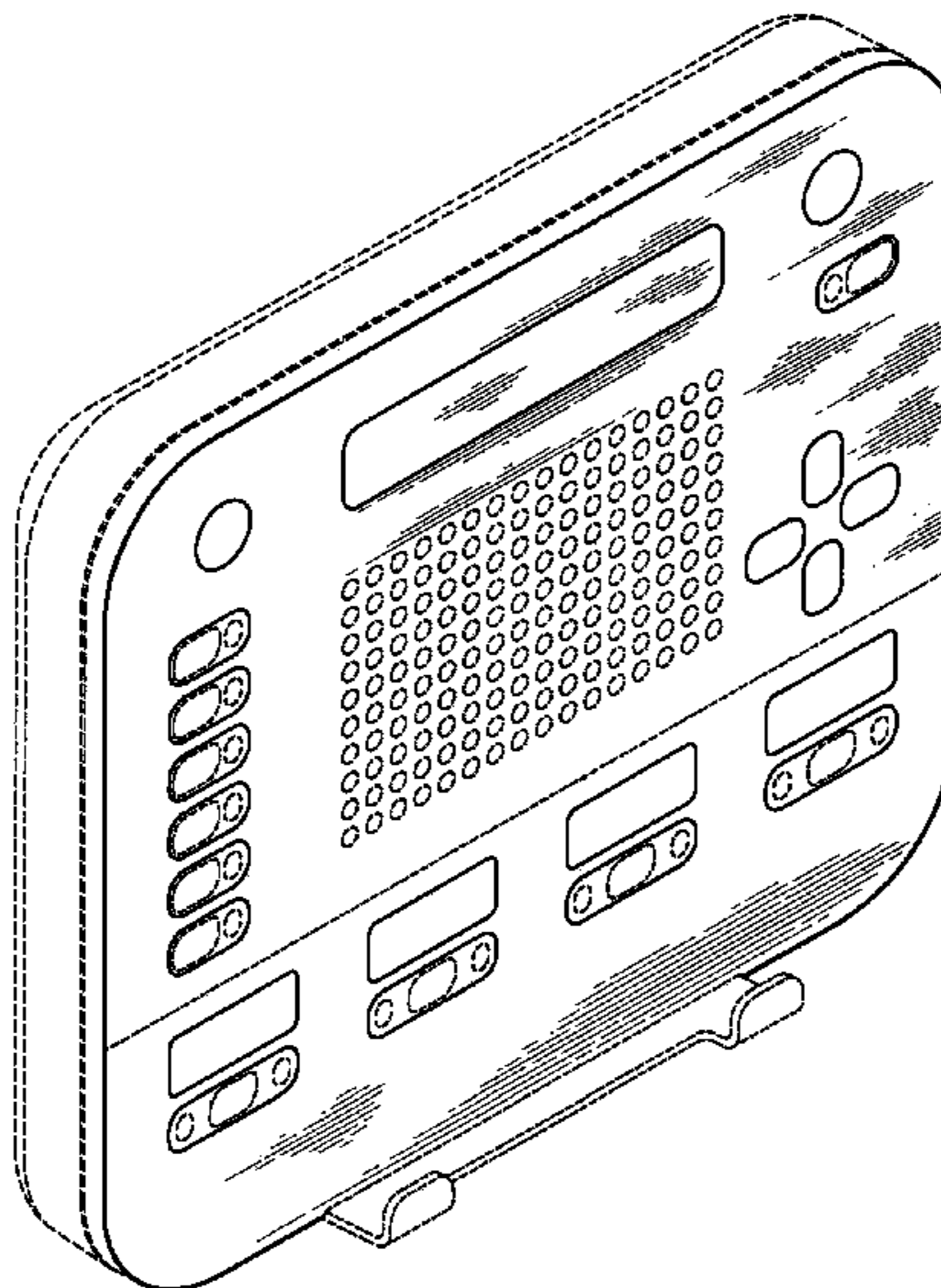
FIG. 10 is a top plan view thereof.

FIG. 11 is a bottom plan view thereof; and,

FIG. 12 is a right side elevational view thereof, the left side elevational view being a mirror image thereto.

The broken lines are for illustrative purposes only and form no part of the claimed design.

1 Claim, 10 Drawing Sheets



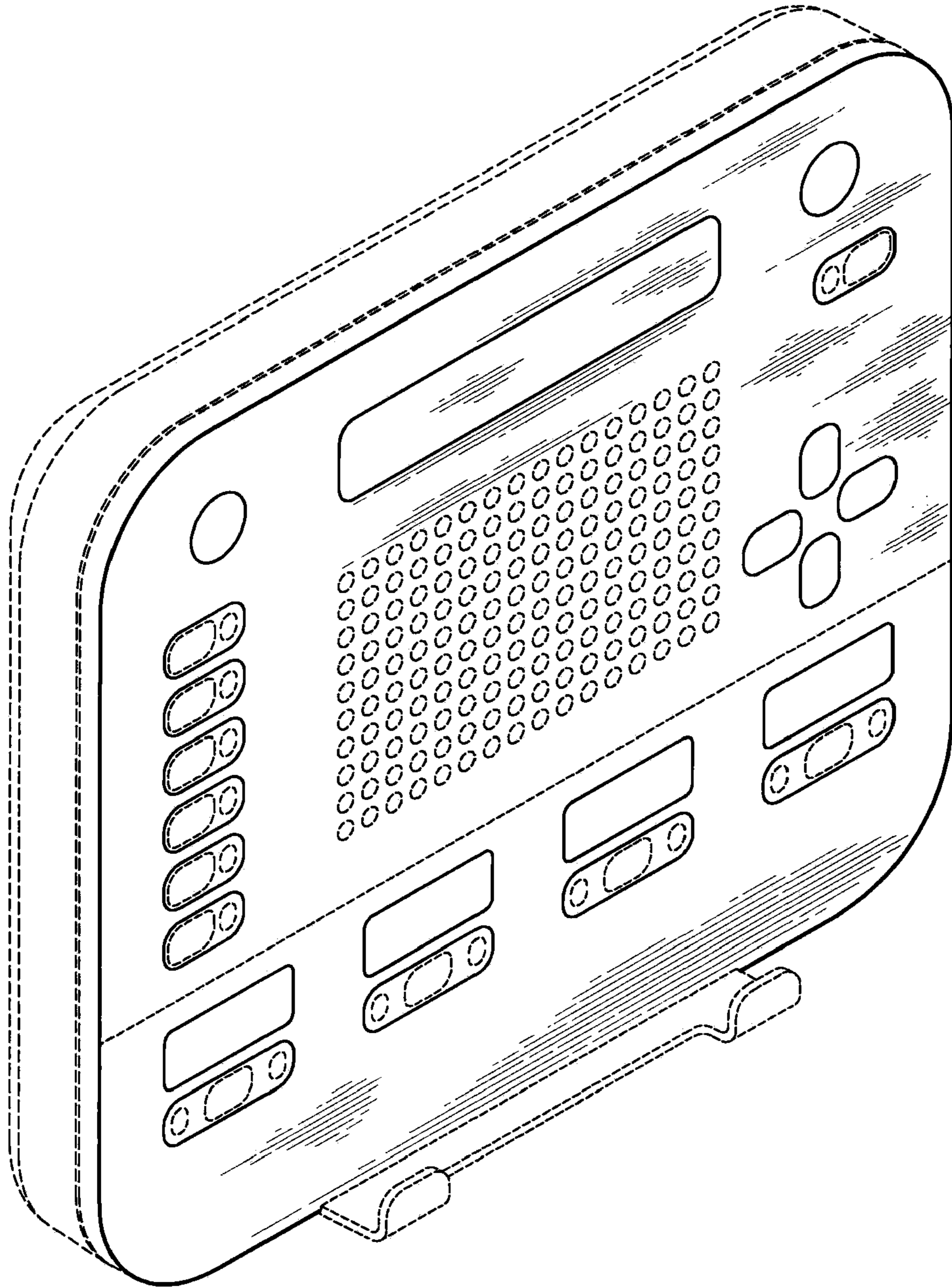


Fig. 1

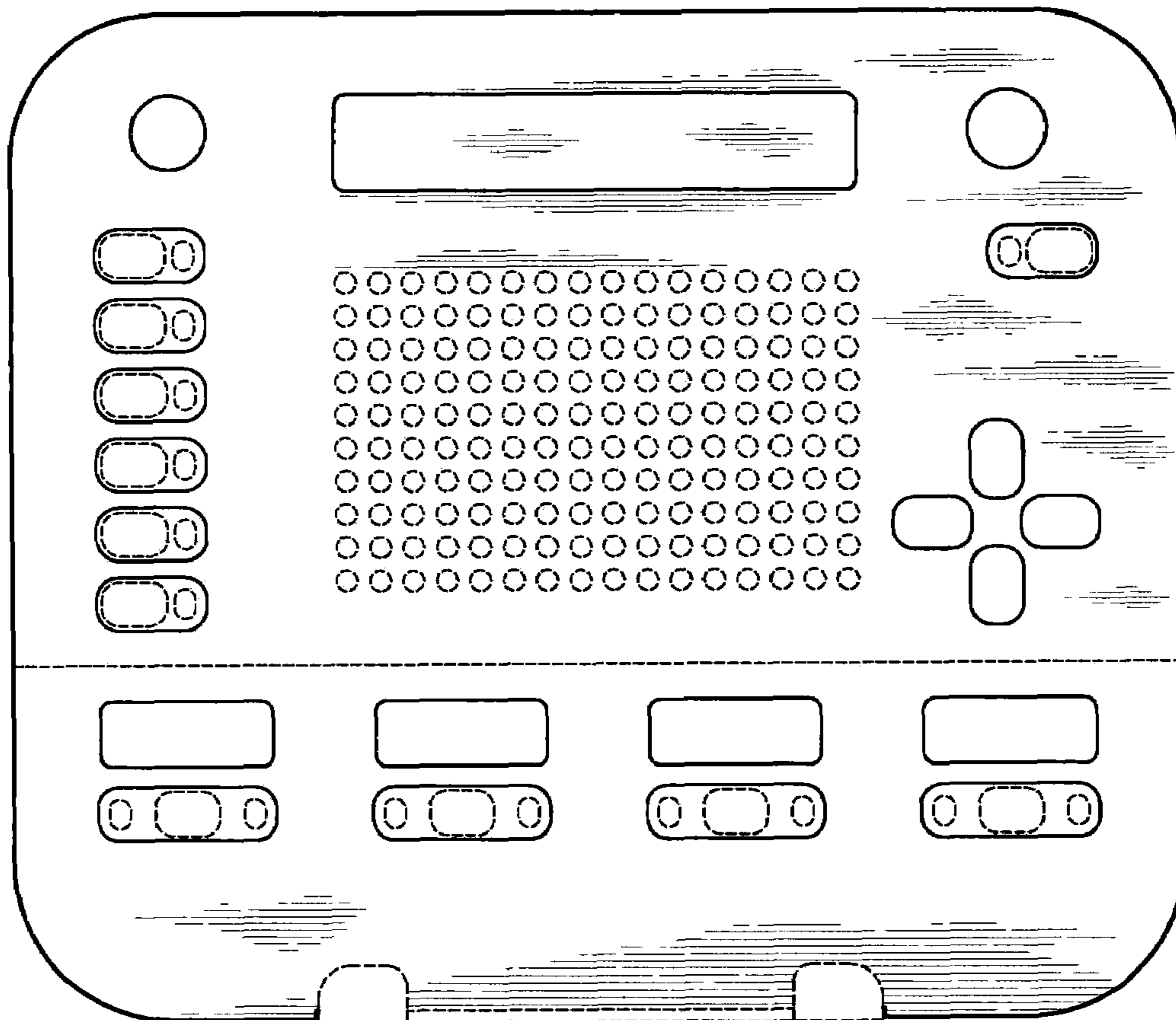


Fig. 2

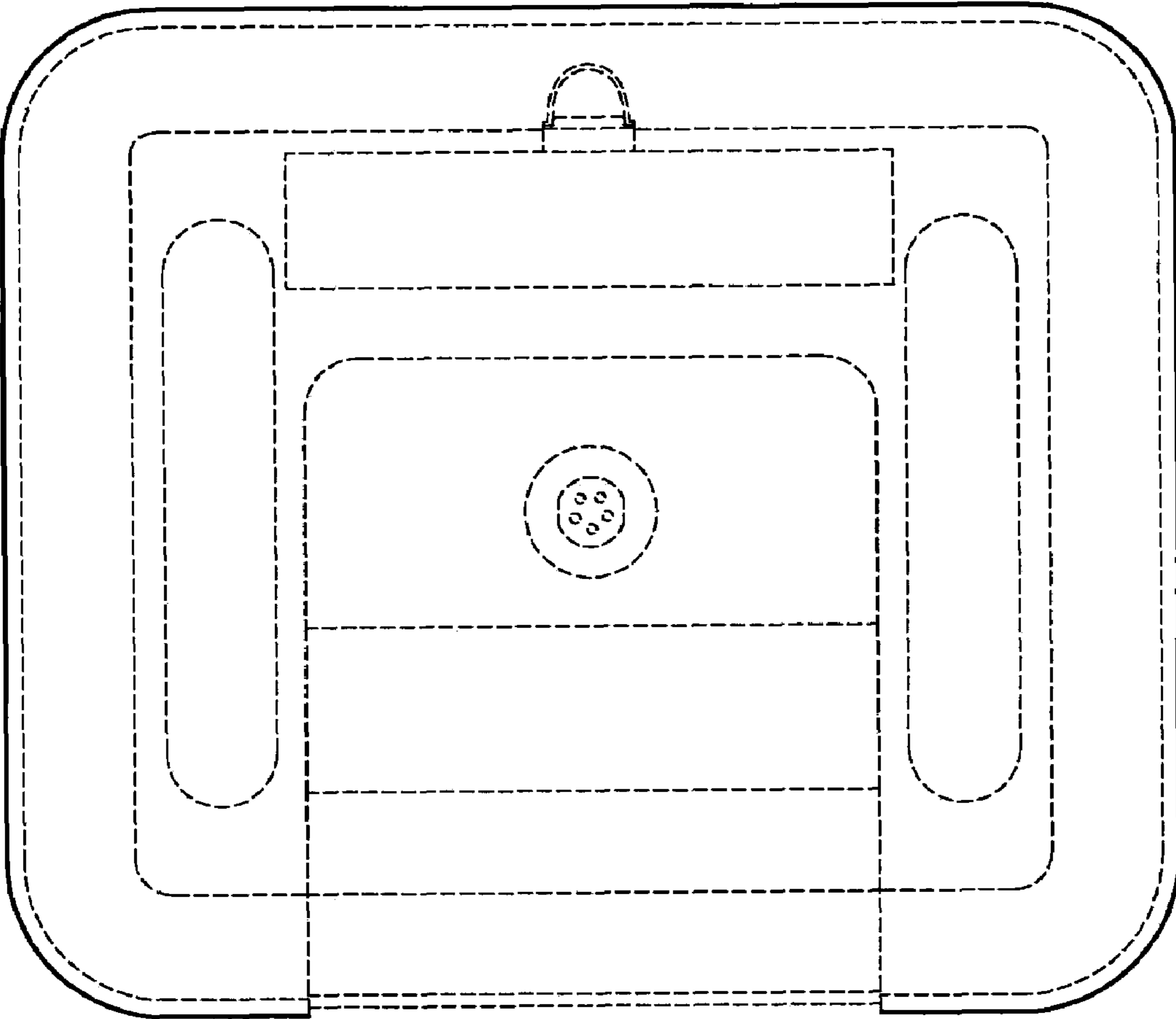


Fig. 3

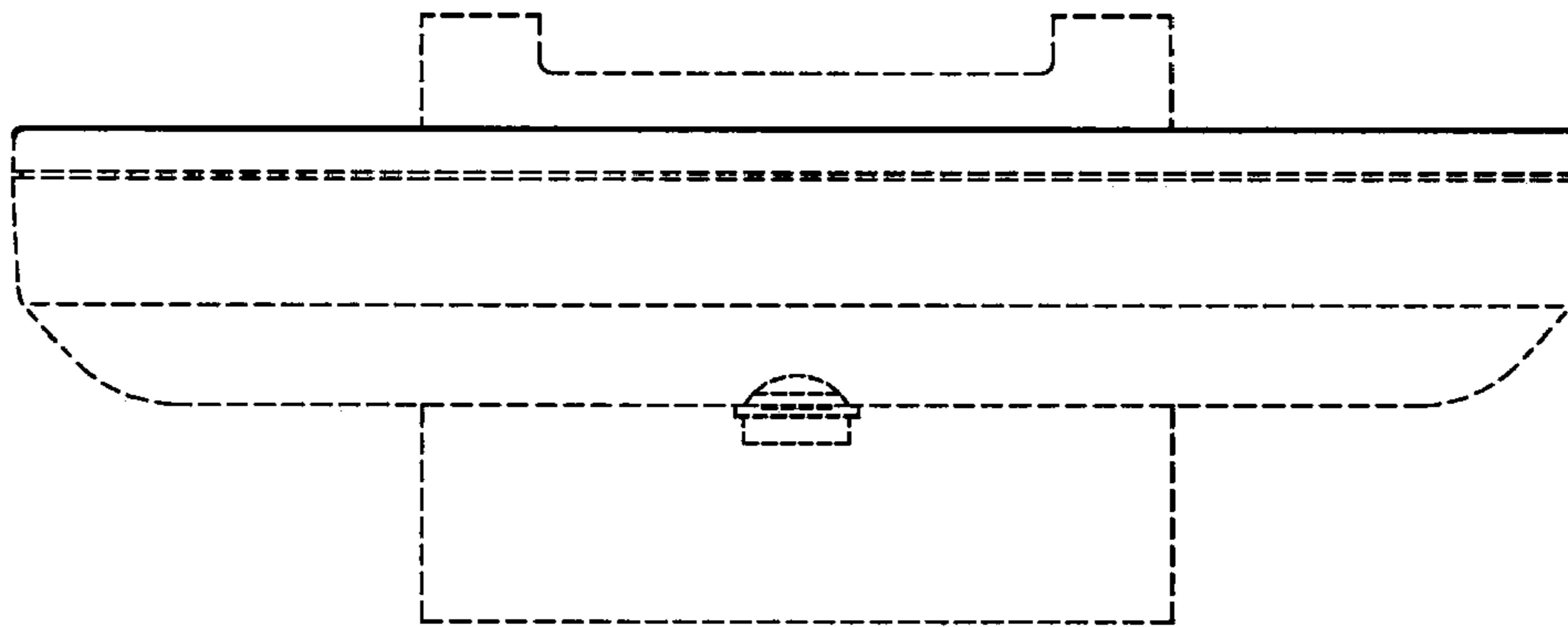


Fig. 4

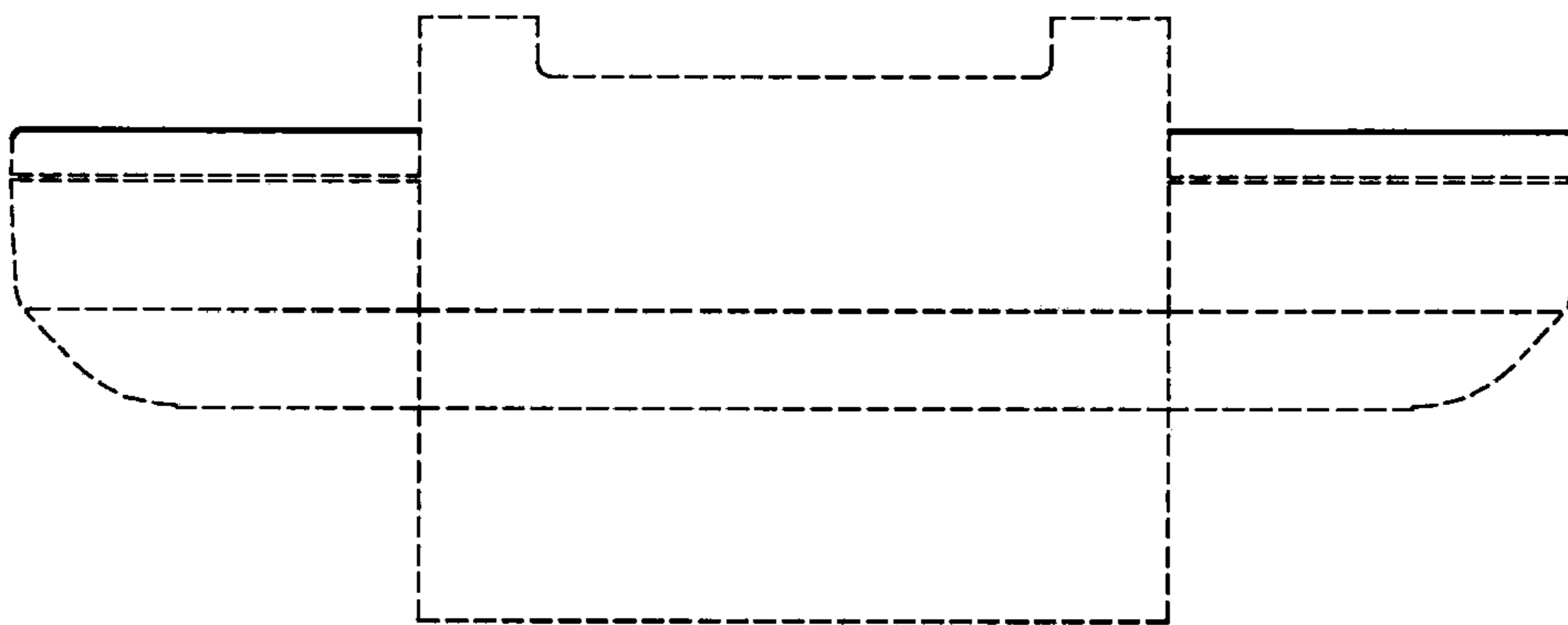


Fig. 5

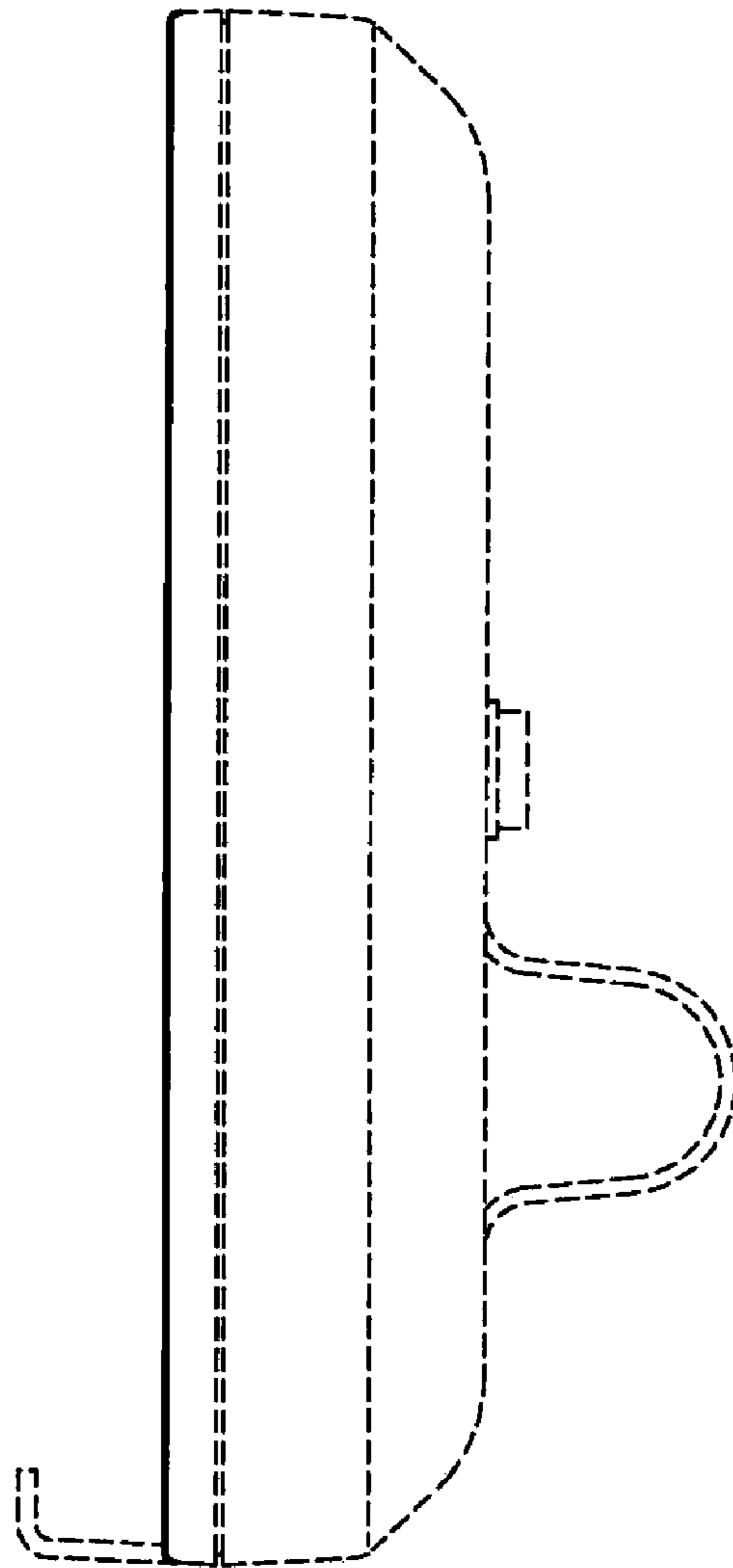


Fig. 6

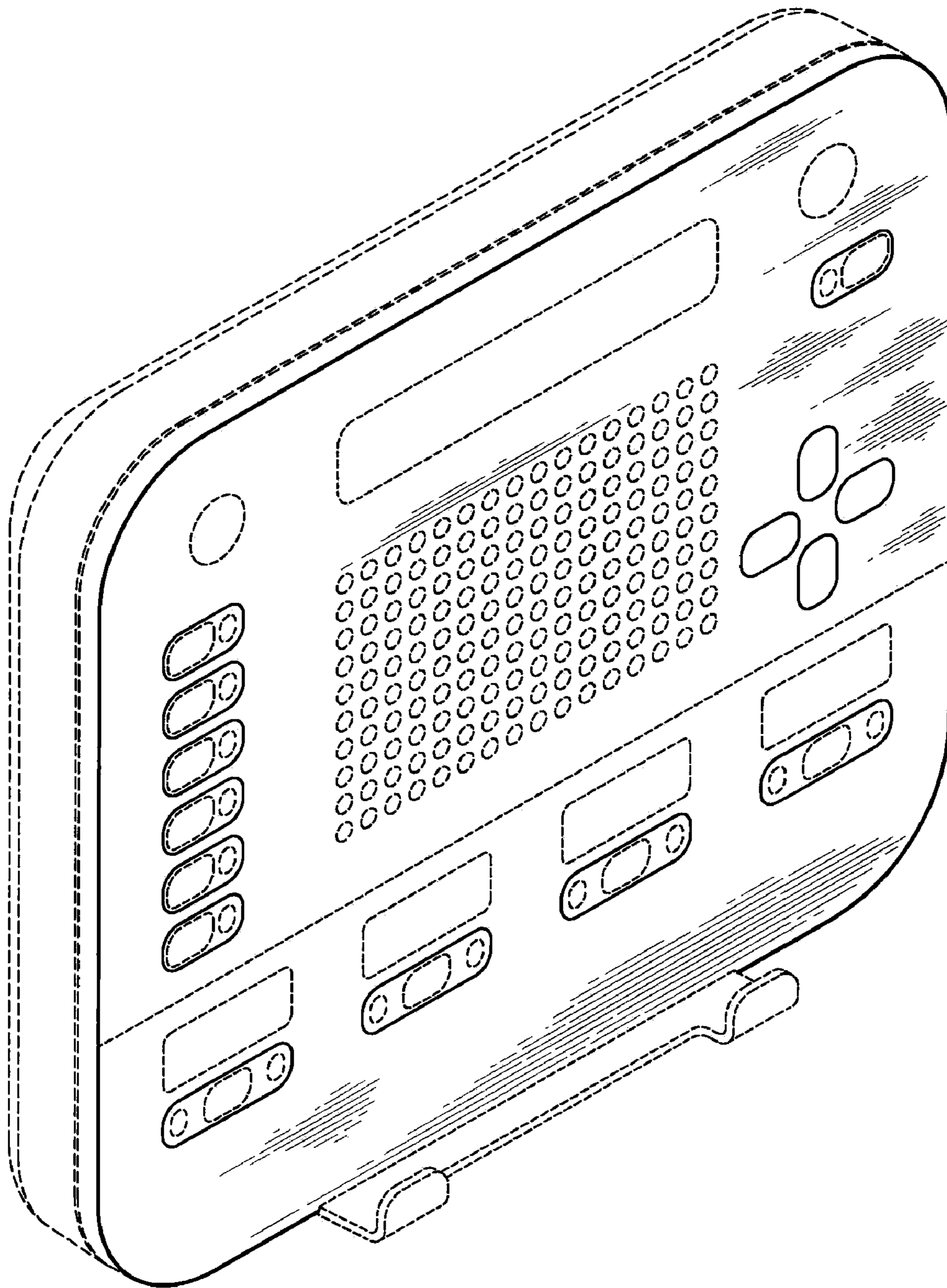


Fig. 7

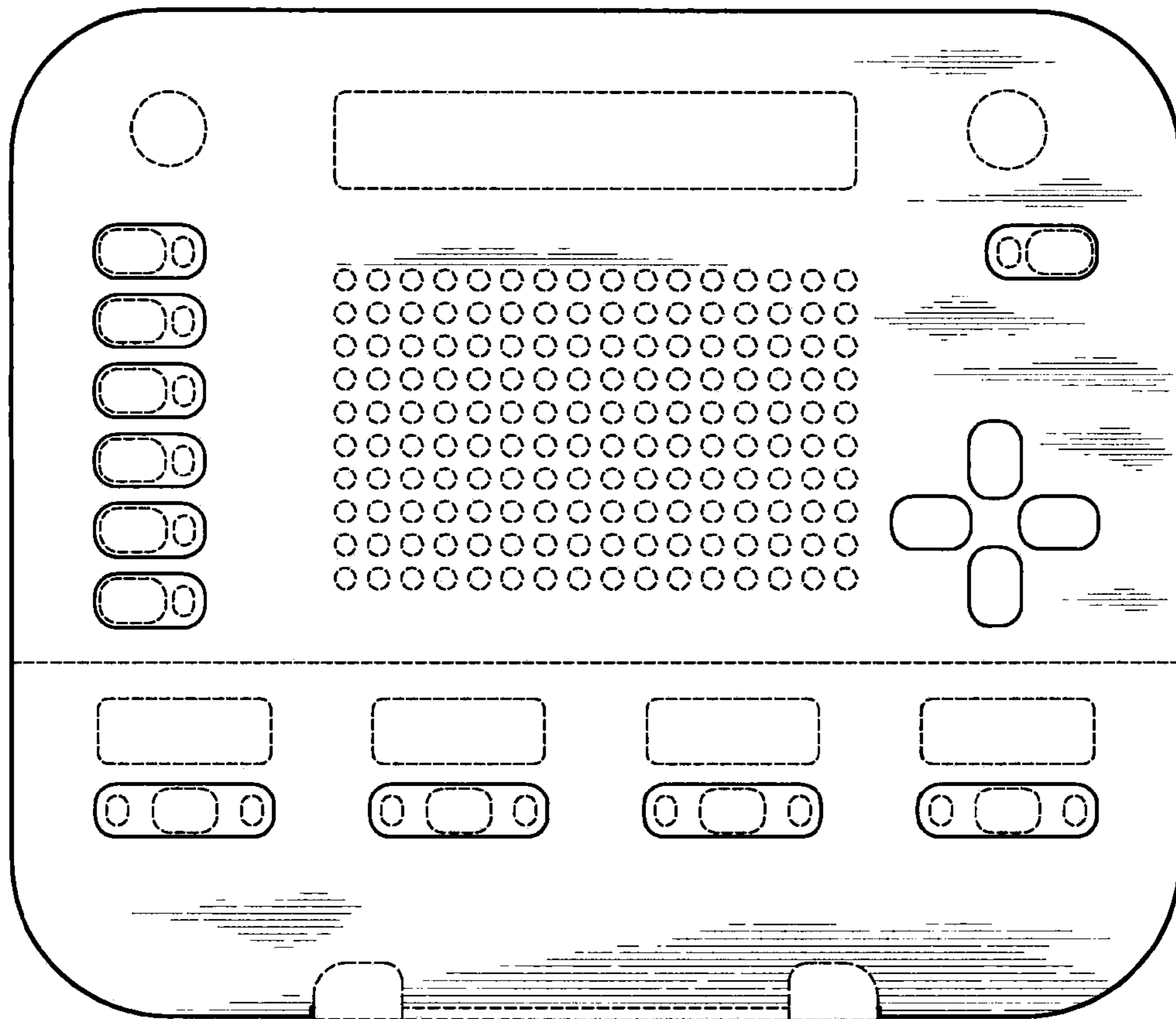


Fig. 8

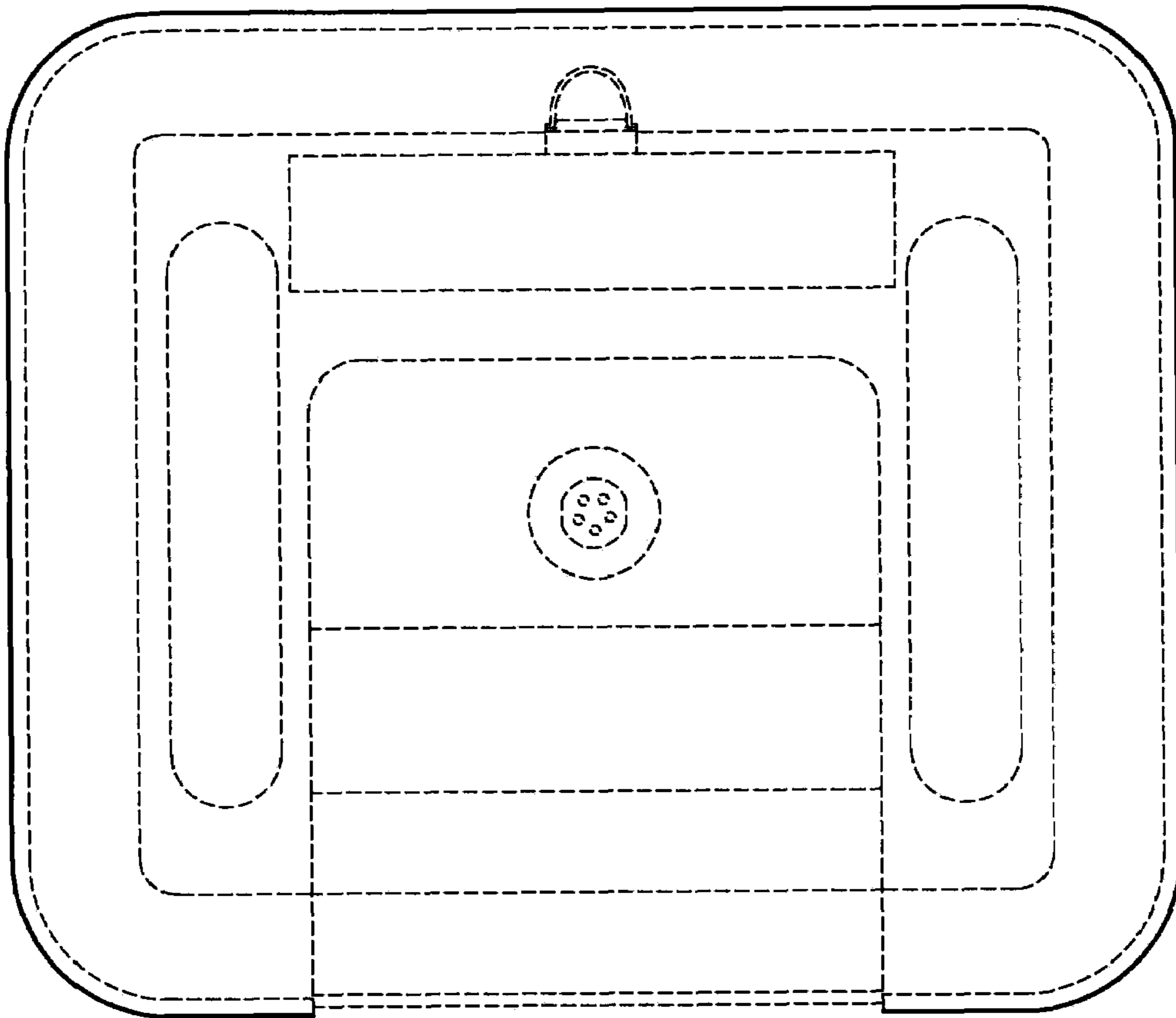


Fig. 9

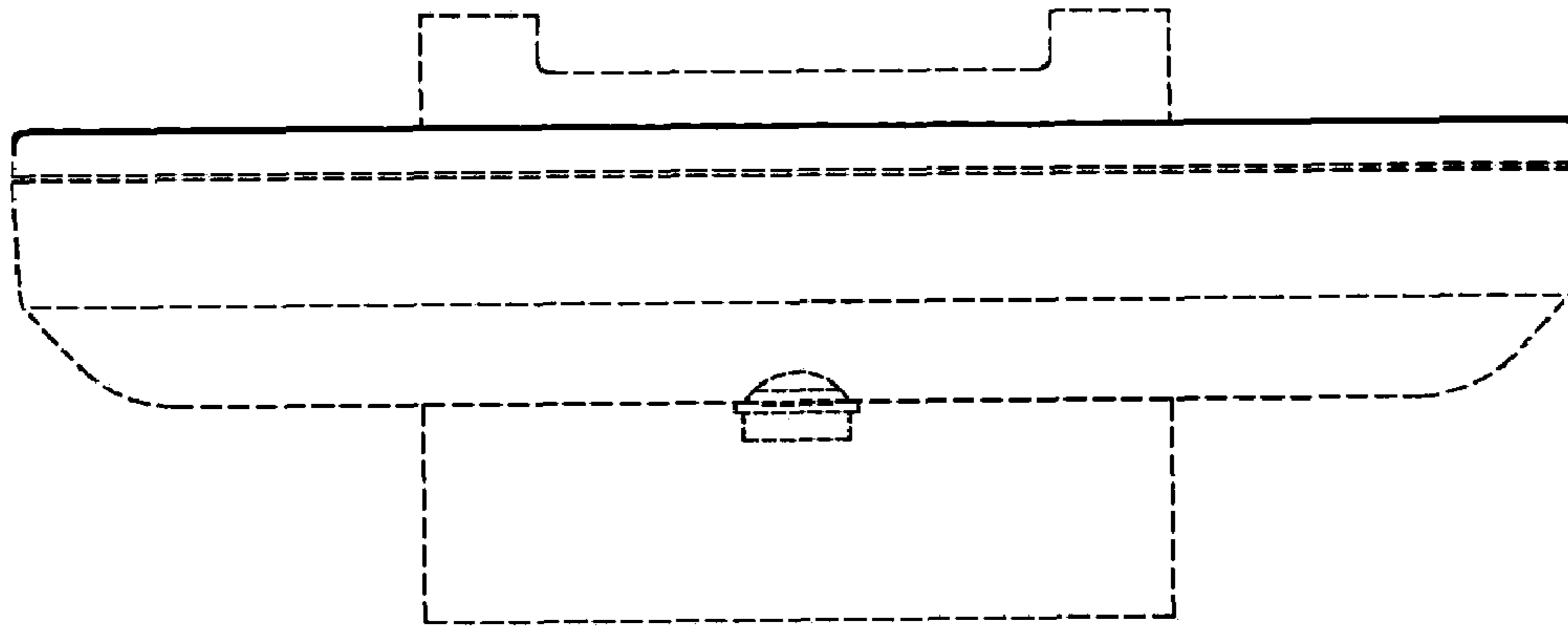


Fig. 10

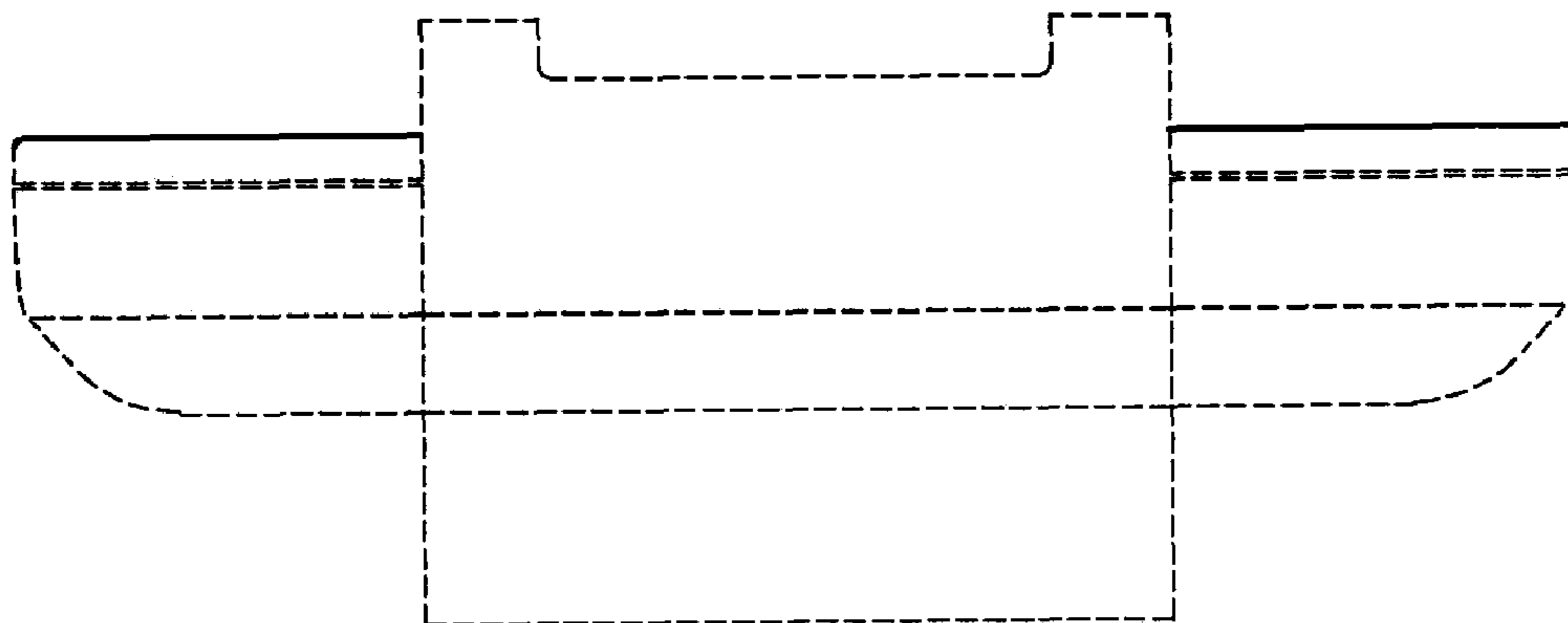


Fig. 11

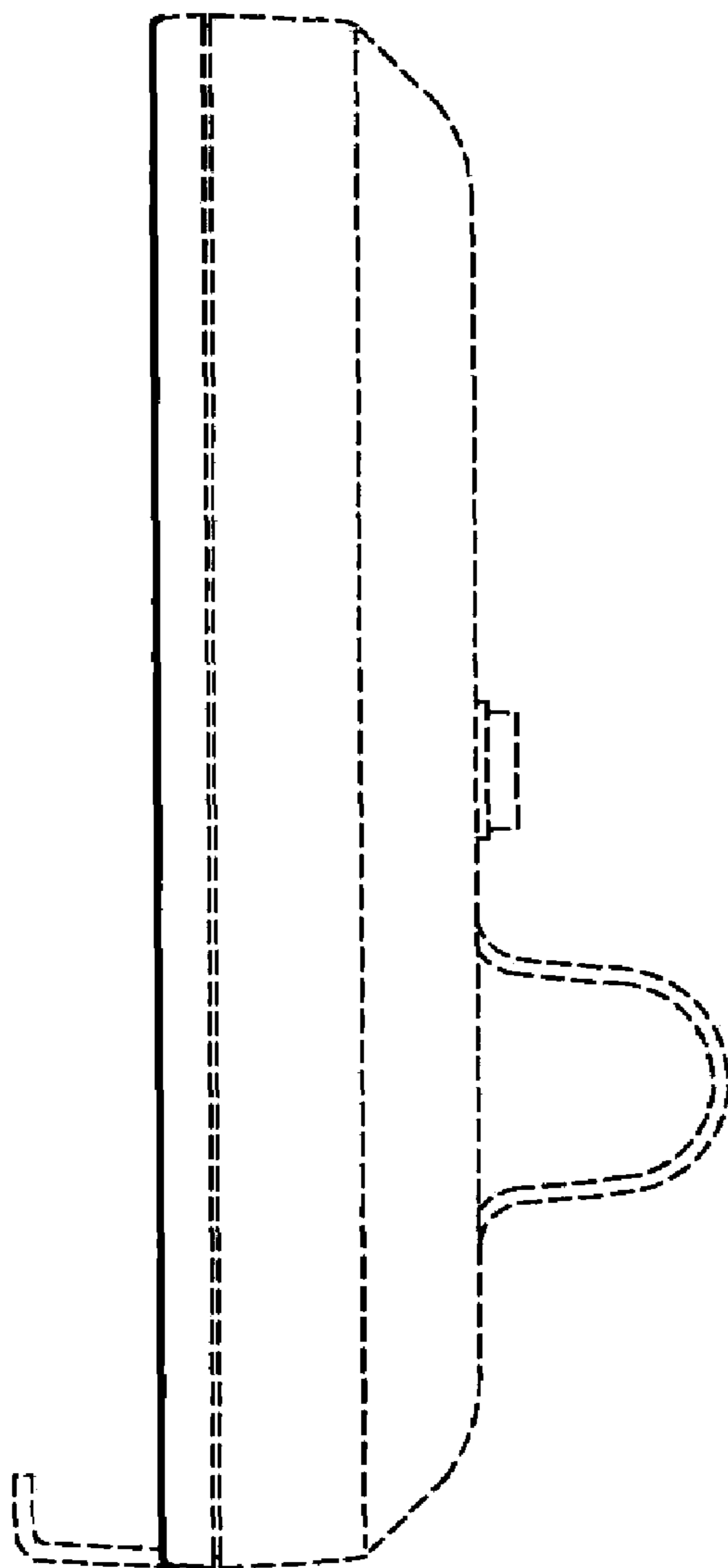


Fig. 12