



US00D578583S

(12) **United States Design Patent**
Goldberg

(10) **Patent No.:** **US D578,583 S**

(45) **Date of Patent:** **** Oct. 14, 2008**

(54) **CRANK ARM**

(75) Inventor: **Johnny Goldberg**, Montecito, CA (US)

(73) Assignee: **Five Giri, Inc.**, Montecito, CA (US)

(**) Term: **14 Years**

(21) Appl. No.: **29/285,306**

(22) Filed: **Mar. 26, 2007**

(51) **LOC (8) Cl.** **21-02**

(52) **U.S. Cl.** **D21/694; D12/123**

(58) **Field of Classification Search** D21/662,
D21/663, 665, 666, 667, 668, 694; D12/123;
74/594.1, 594.2, 595; 482/57, 62, 52

See application file for complete search history.

(56) **References Cited**

U.S. PATENT DOCUMENTS

D191,792 S	11/1961	Maratta	
4,071,235 A	1/1978	Zent	
4,582,318 A	4/1986	Giannelli et al.	
4,618,141 A	10/1986	Ashworth, Jr.	
4,900,014 A	2/1990	DeGraff	
5,145,479 A	9/1992	Olschansky et al.	
5,354,084 A	10/1994	Lofgren et al.	
D356,526 S *	3/1995	Burns D12/123
5,735,774 A	4/1998	Maresh	
5,853,184 A	12/1998	Lofgren et al.	
5,860,329 A	1/1999	Day	
5,911,792 A *	6/1999	Jaimes 74/594.1

5,946,982 A *	9/1999	Schmidt 74/594.2
D484,831 S *	1/2004	Chiang D12/123
D498,710 S *	11/2004	Chiang et al. D12/123
6,925,907 B1 *	8/2005	Odom 74/594.1
D520,920 S *	5/2006	Okada D12/123
D522,413 S *	6/2006	Okada D12/123
D532,342 S *	11/2006	Arakawa D12/123
2006/0116248 A1	6/2006	Lofgren et al.	

* cited by examiner

Primary Examiner—Philip S Hyder

(74) *Attorney, Agent, or Firm*—Cisco & Thomas, LLP

(57) **CLAIM**

The ornamental design for a crank arm, as shown and described.

DESCRIPTION

FIG. 1 is a perspective view of the crank arm;

FIG. 2 is another perspective view of the crank arm;

FIG. 3 is a left side view of the crank arm;

FIG. 4 is a right side view of the crank arm;

FIG. 5 is a rear view of the crank arm;

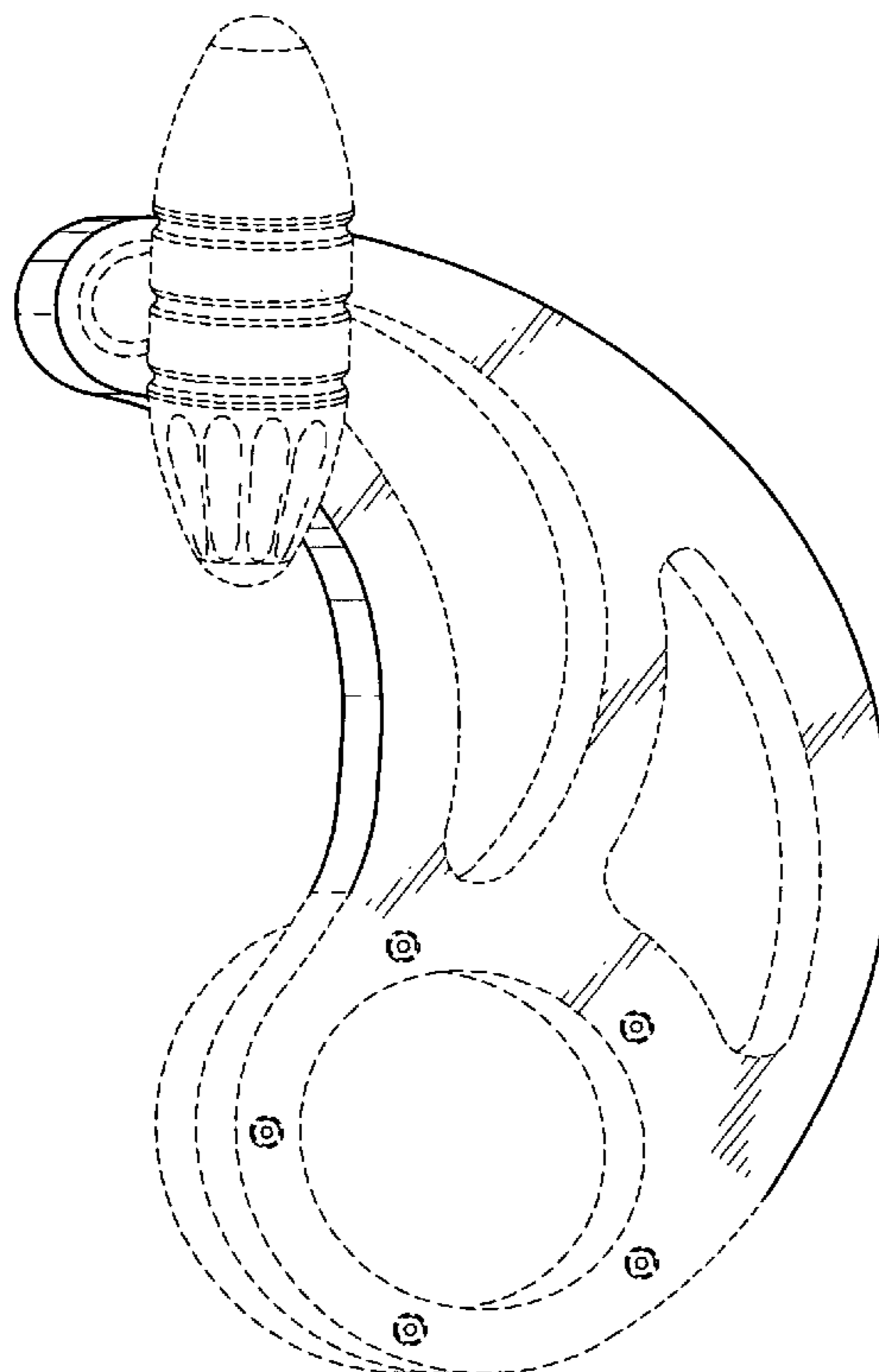
FIG. 6 is a front view of the crank arm;

FIG. 7 is a top view of the crank arm; and,

FIG. 8 is a bottom view of the crank arm.

The broken line portions of the crank arm and the broken line environmental structure form no part of the claimed design.

1 Claim, 8 Drawing Sheets



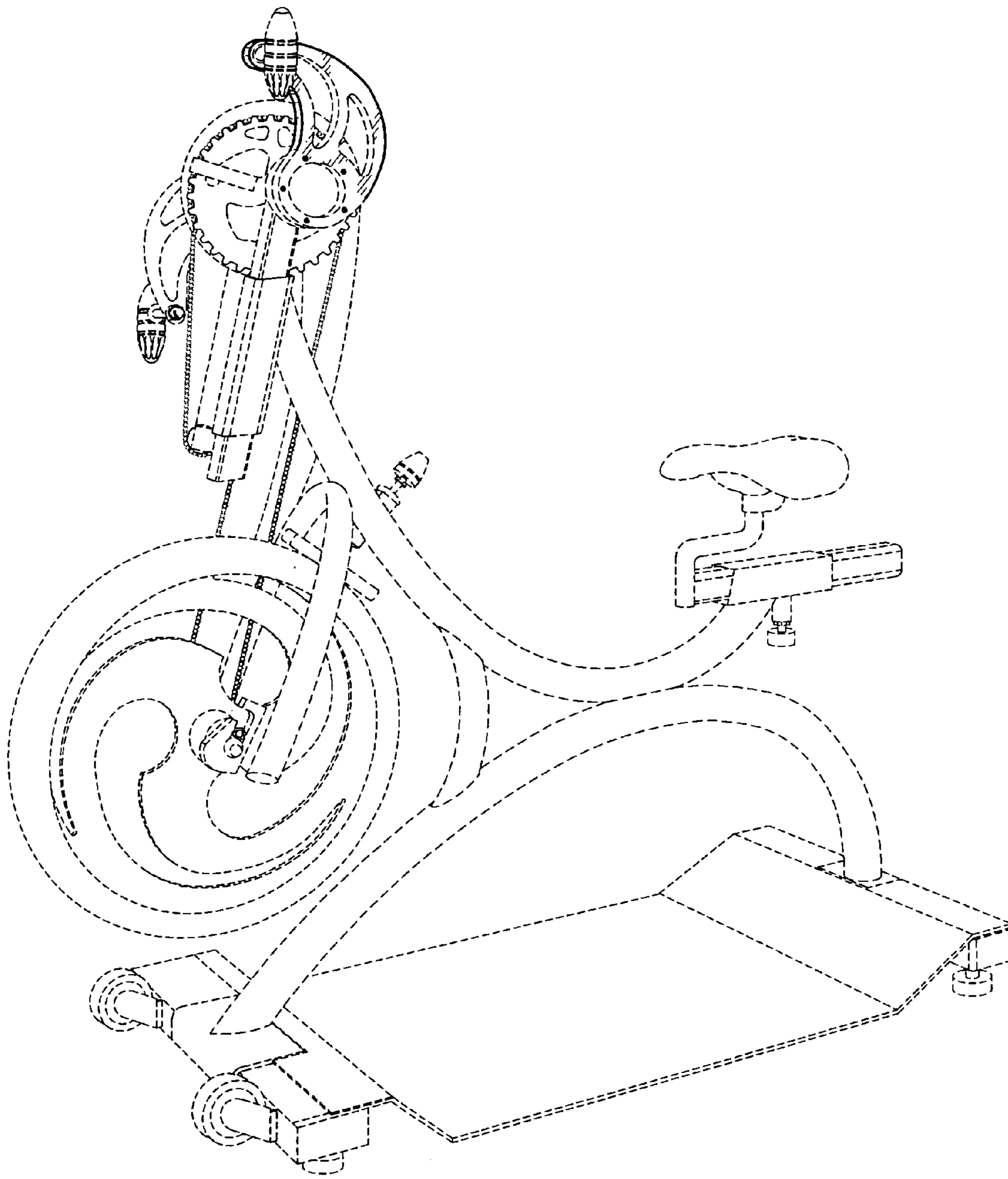


FIG. 1

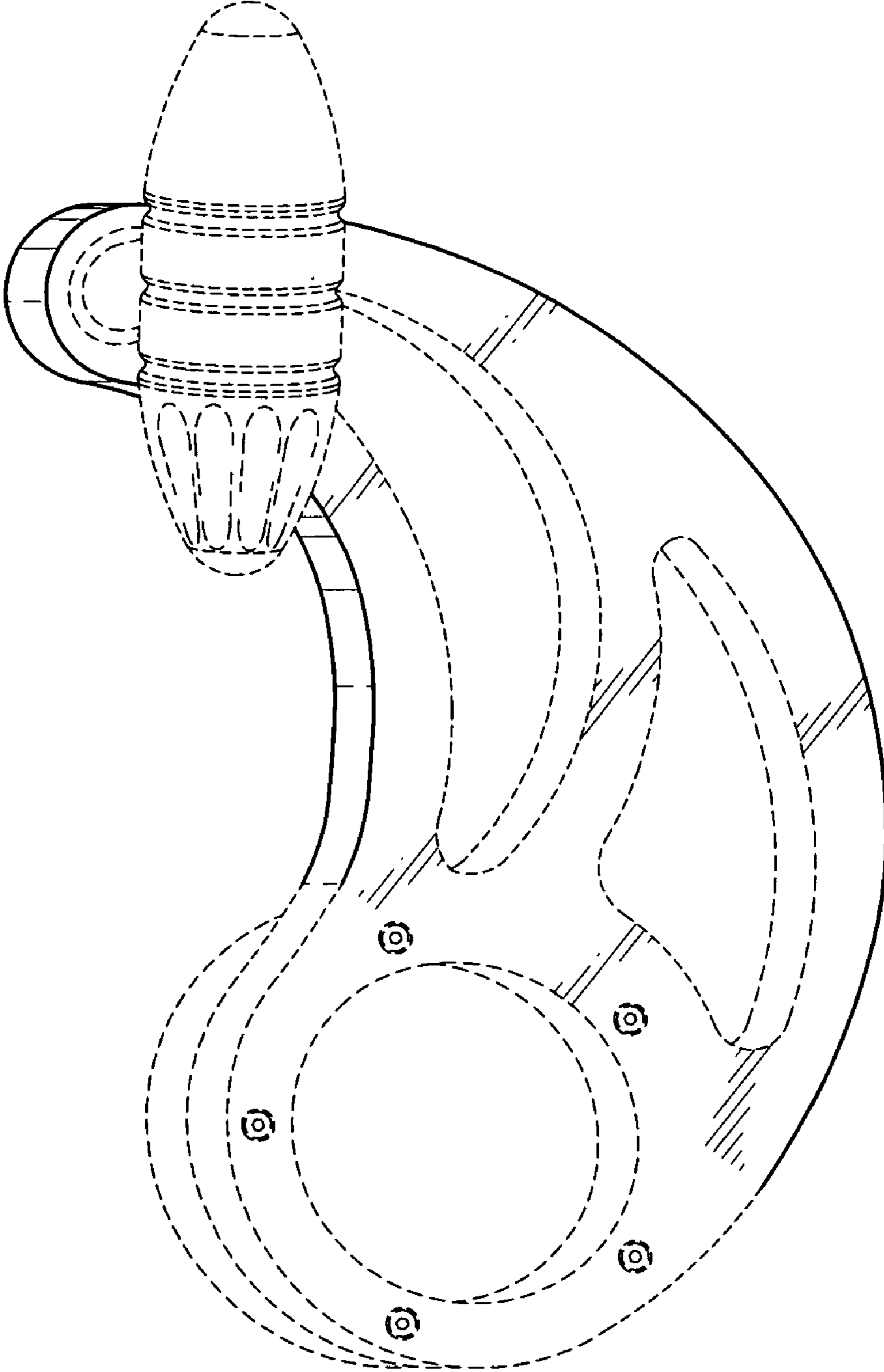


FIG. 2

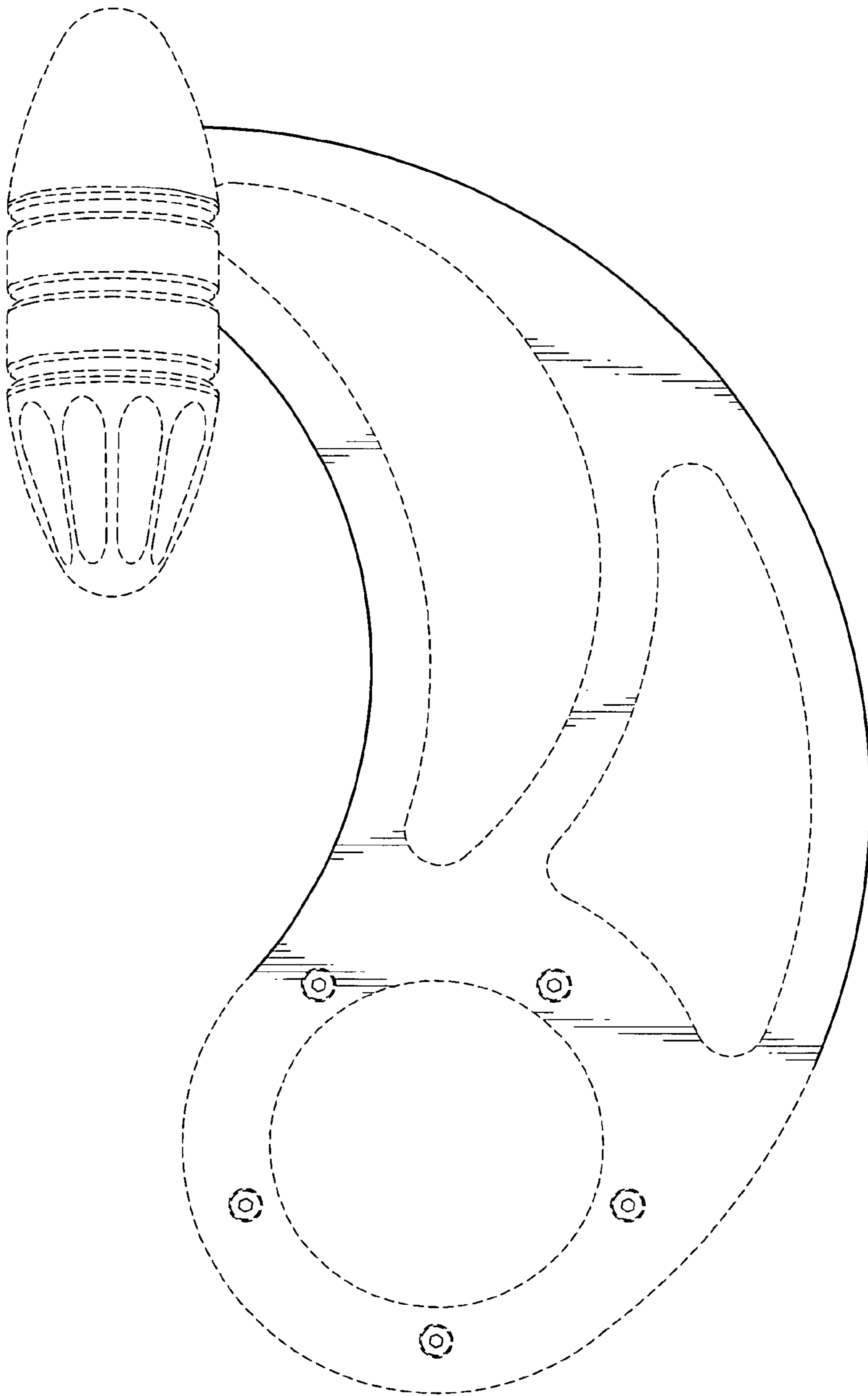


FIG. 3

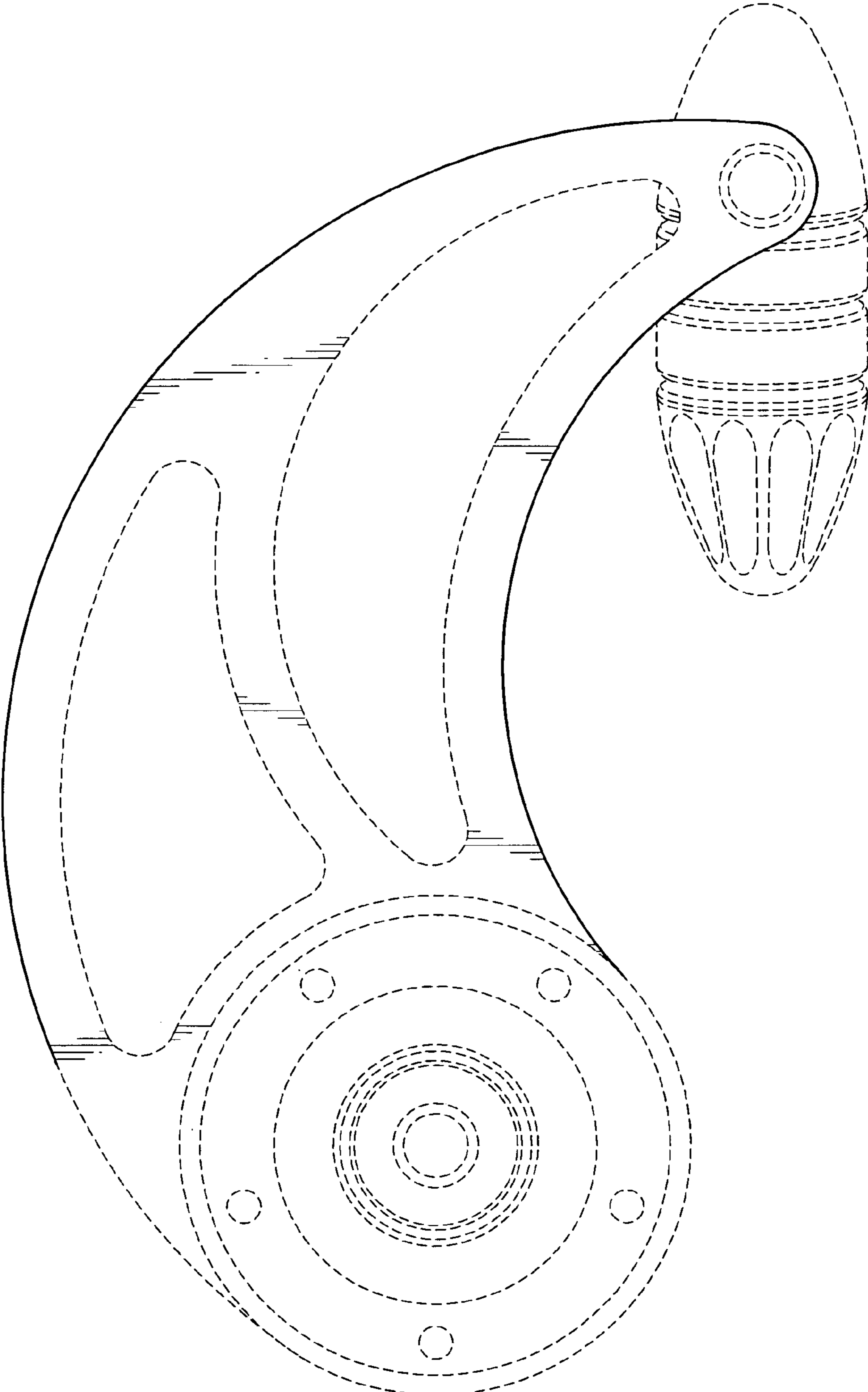


FIG. 4

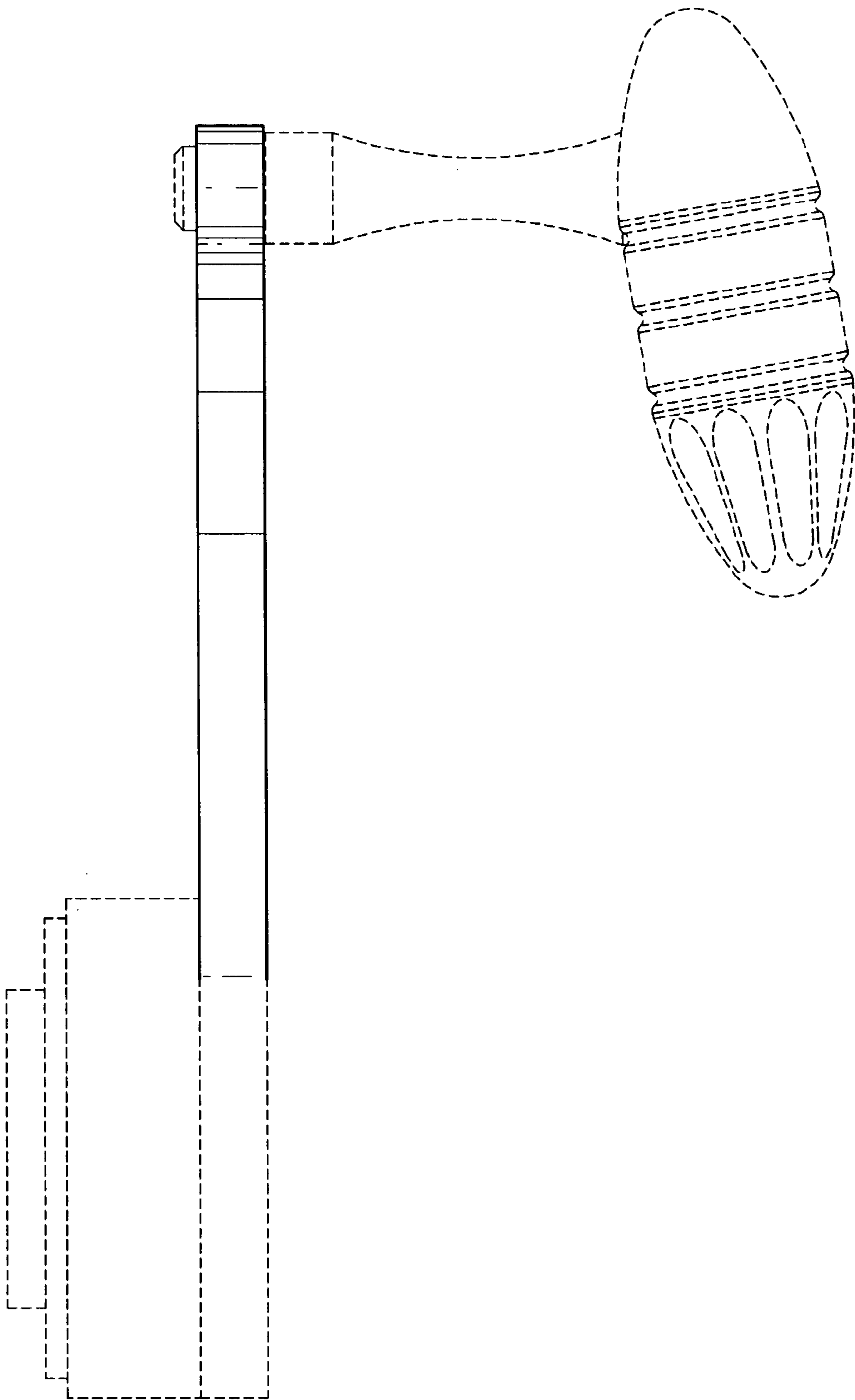


FIG. 5

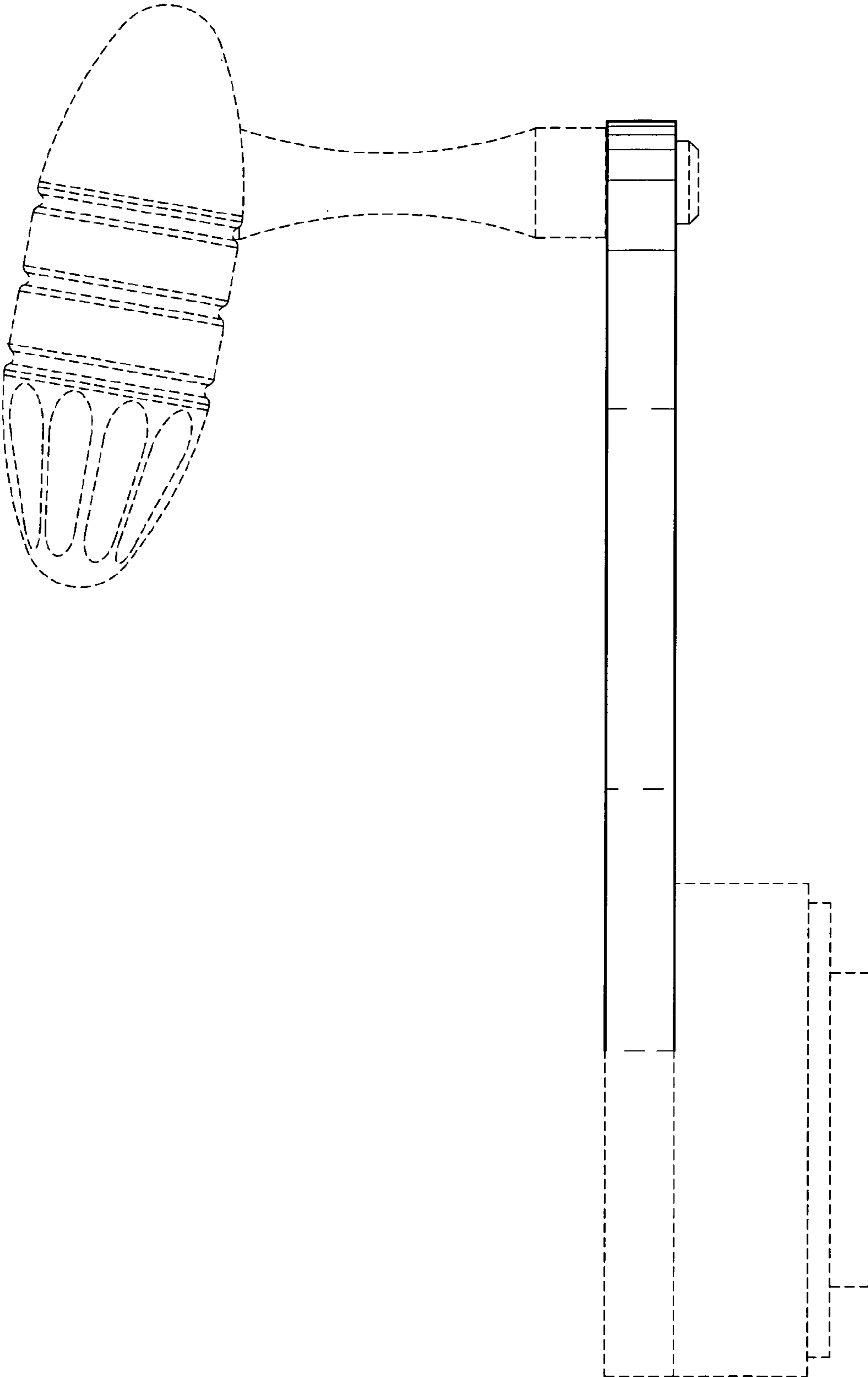


FIG. 6

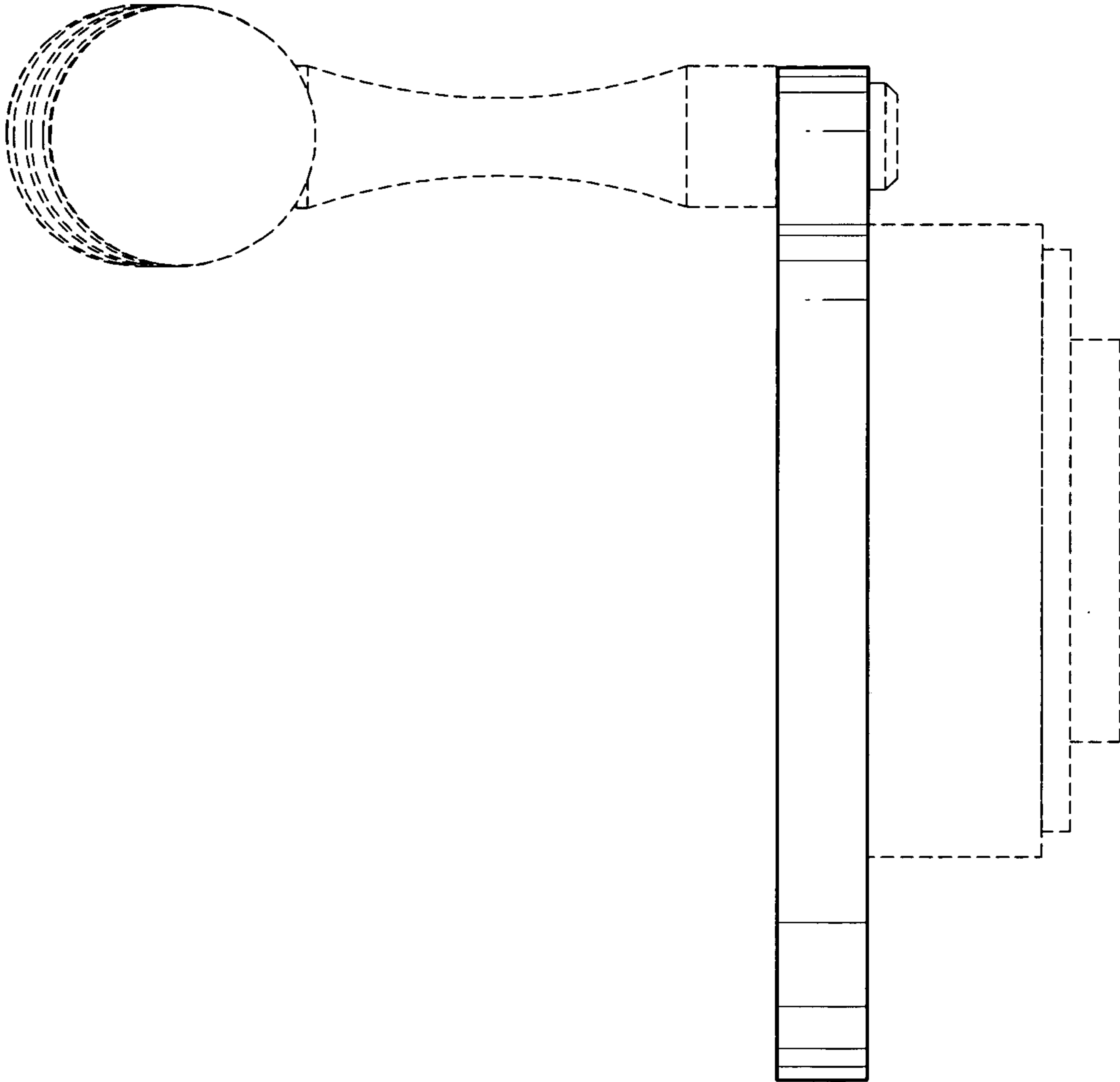


FIG. 7

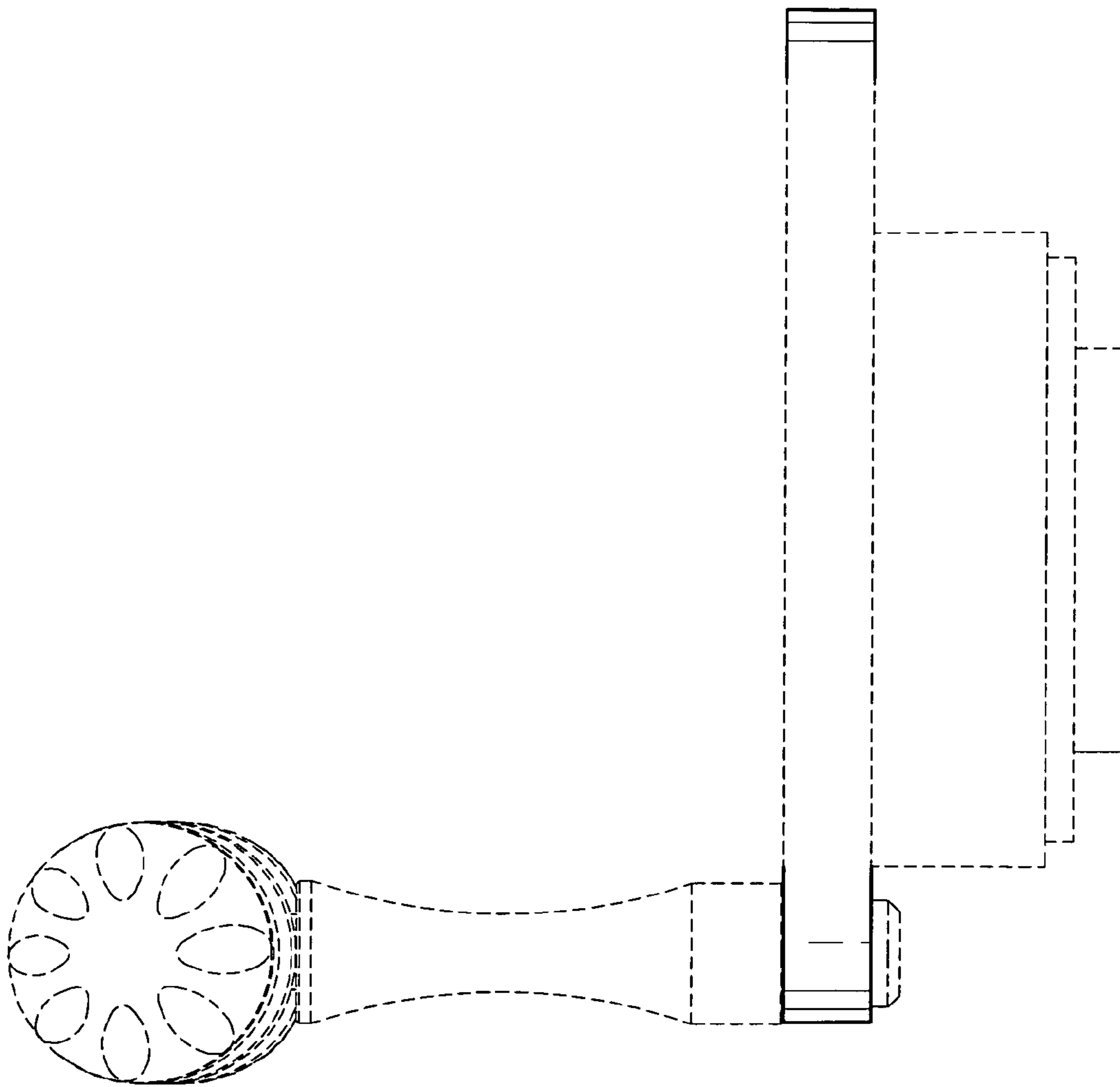


FIG. 8