



US00D578582S

(12) **United States Design Patent**
Gomez

(10) **Patent No.:** **US D578,582 S**
(45) **Date of Patent:** **** Oct. 14, 2008**

(54) **MULTIPLE EXERCISE APPARATUS**

(76) Inventor: **Jose Miguel Perez Gomez**, Calle Los Cerritos, Ed. Excelsior, Piso 3, Apt. 11, Bello Monte, Caracas (VE)

(**) Term: **14 Years**

(21) Appl. No.: **29/298,188**

(22) Filed: **Nov. 30, 2007**

Related U.S. Application Data

(63) Continuation of application No. 10/909,721, filed on Aug. 2, 2004, now abandoned.

(51) **LOC (8) Cl.** **21-02**

(52) **U.S. Cl.** **D21/686**

(58) **Field of Classification Search** D21/662, D21/686, 690, 691; 482/37, 38, 39, 40, 41, 482/91, 92, 148

See application file for complete search history.

(56) **References Cited**

U.S. PATENT DOCUMENTS

- D267,419 S * 12/1982 Komarnicki D21/691
- 4,620,701 A * 11/1986 Mojden 482/41
- D320,823 S * 10/1991 Tanner D21/686
- D324,708 S * 3/1992 Walsh D21/691
- D339,835 S * 9/1993 Hsieh D21/691

- 5,372,556 A * 12/1994 Ropp 482/41
- 5,407,404 A * 4/1995 Killian et al. 482/38
- D372,059 S * 7/1996 Taylor D21/691
- D480,772 S * 10/2003 Washington D21/686
- D503,757 S * 4/2005 Sjurdagardi D21/691
- D544,050 S * 6/2007 Webber D21/686

* cited by examiner

Primary Examiner—Philip S Hyder

(74) *Attorney, Agent, or Firm*—Kelleher IP PLLC; Sean Liam Kelleher

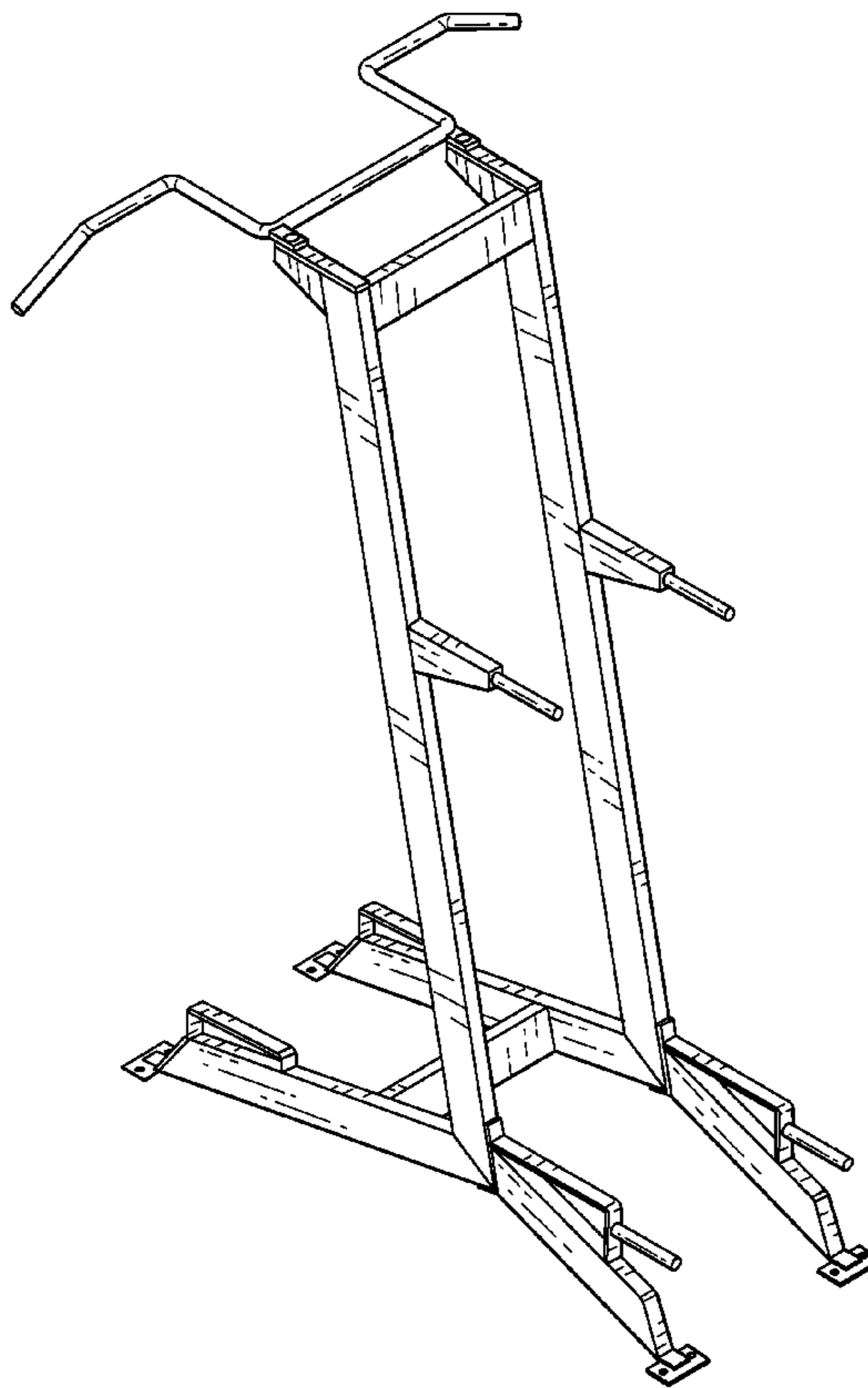
(57) **CLAIM**

The ornamental design for the multiple exercise apparatus, as shown and described.

DESCRIPTION

FIG. 1 is a perspective view of a multiple exercise apparatus;
 FIG. 2 is a front view of a multiple exercise apparatus;
 FIG. 3 is a back view of a multiple exercise apparatus;
 FIG. 4 is a top view of a multiple exercise apparatus;
 FIG. 5 is a bottom view of a multiple exercise apparatus;
 FIG. 6 is a right side view of a multiple exercise apparatus;
 and,
 FIG. 7 is a left side view of a multiple exercise apparatus.

1 Claim, 7 Drawing Sheets



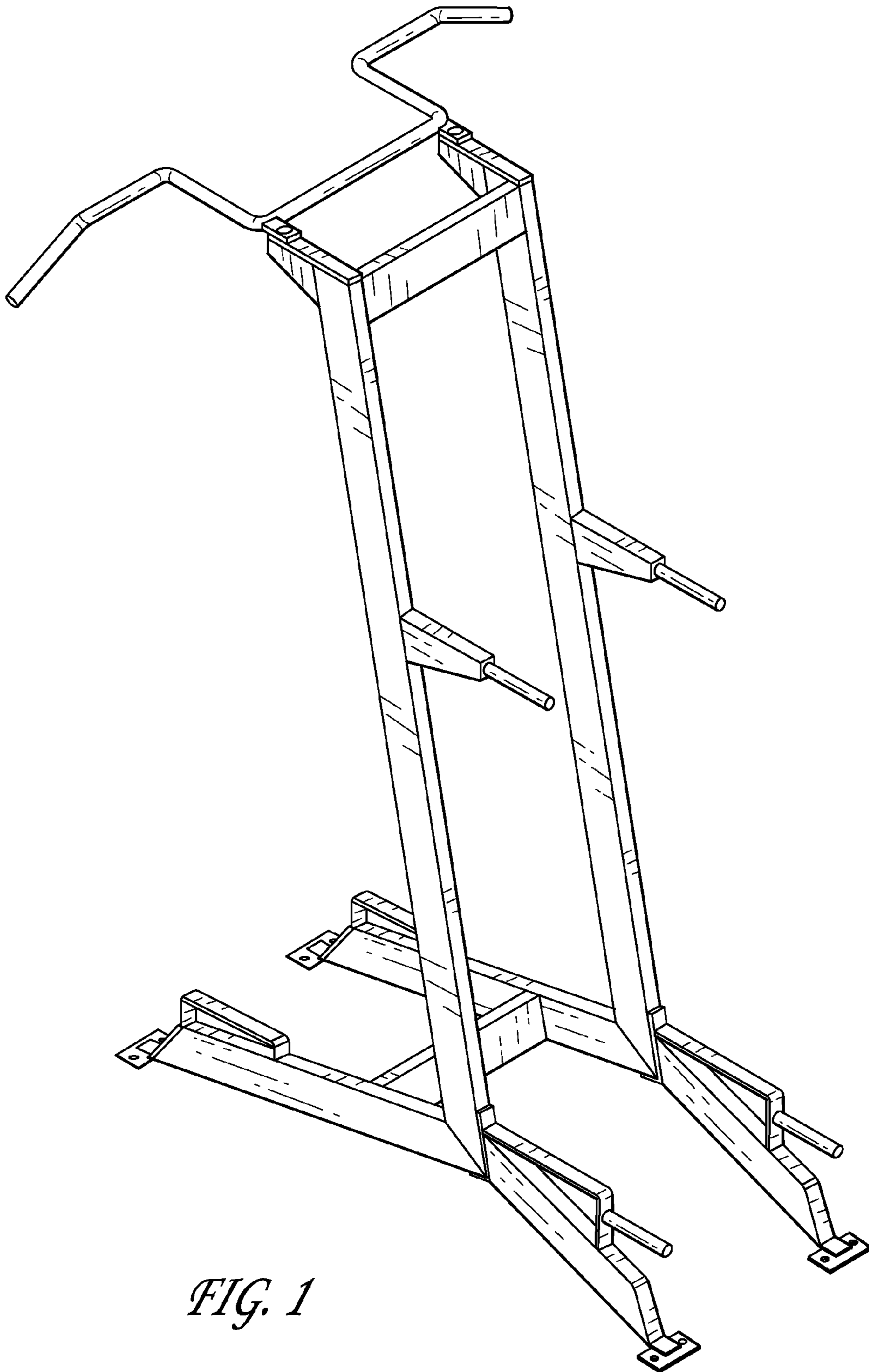


FIG. 1

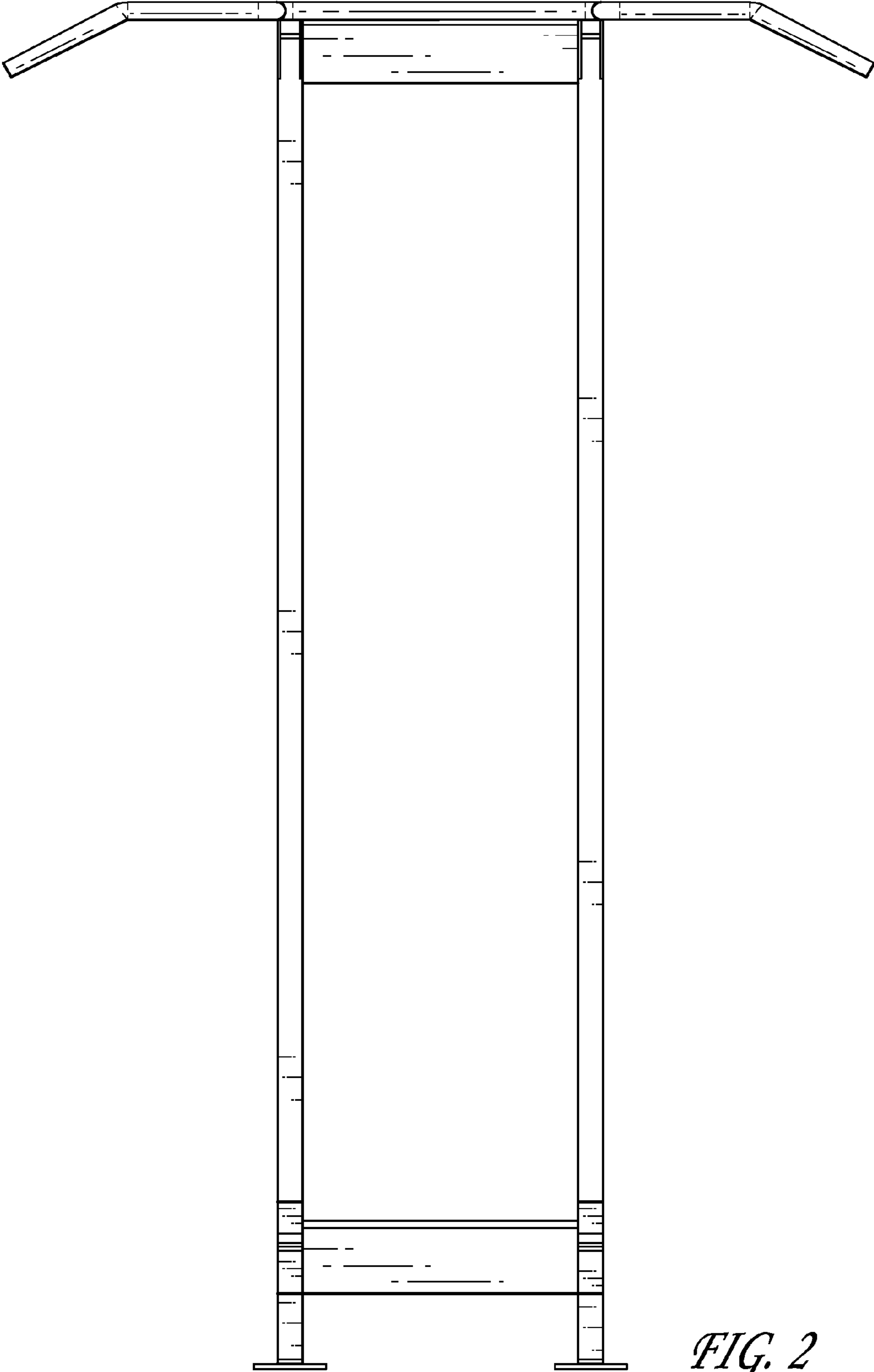


FIG. 2

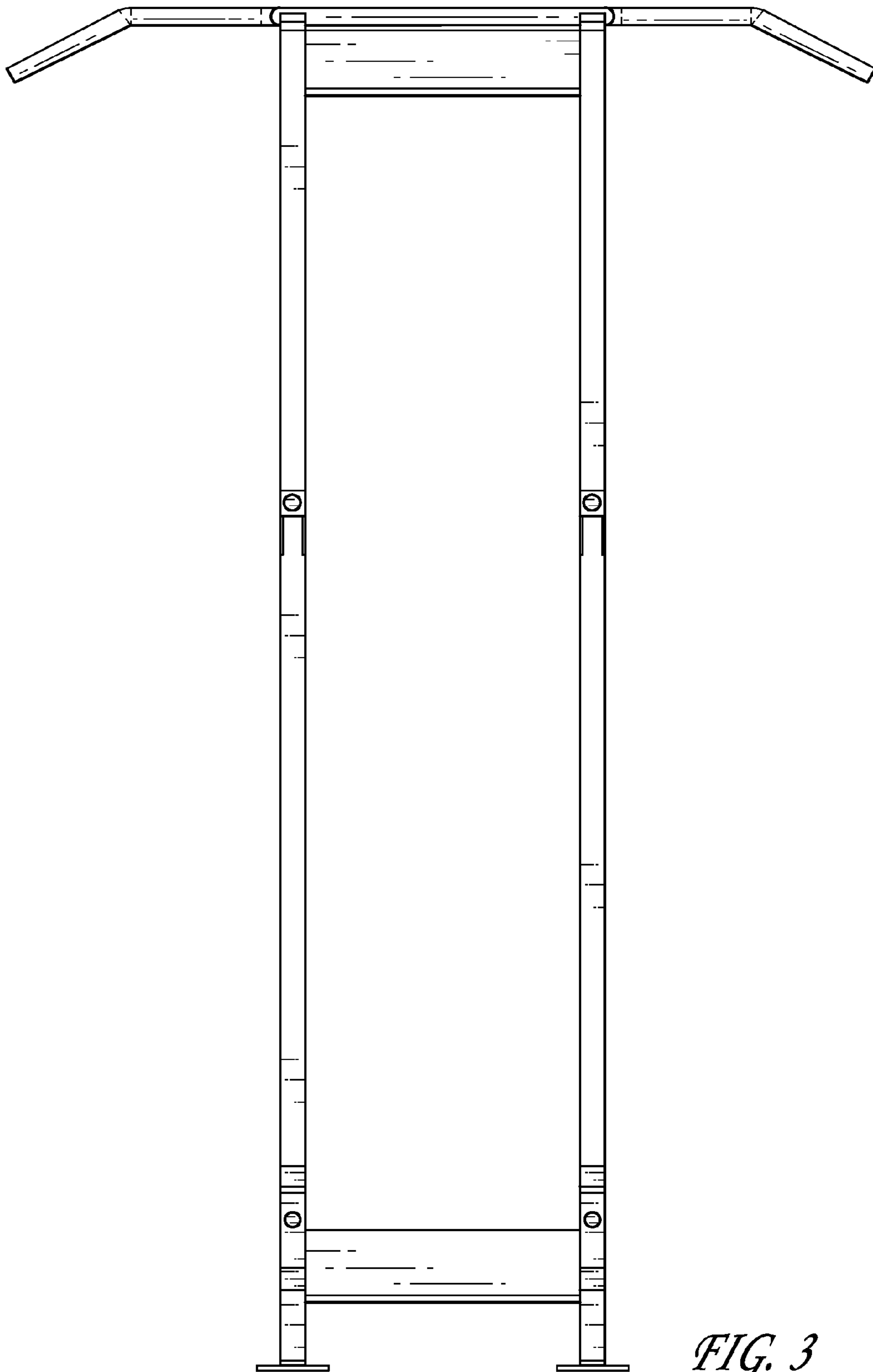


FIG. 3

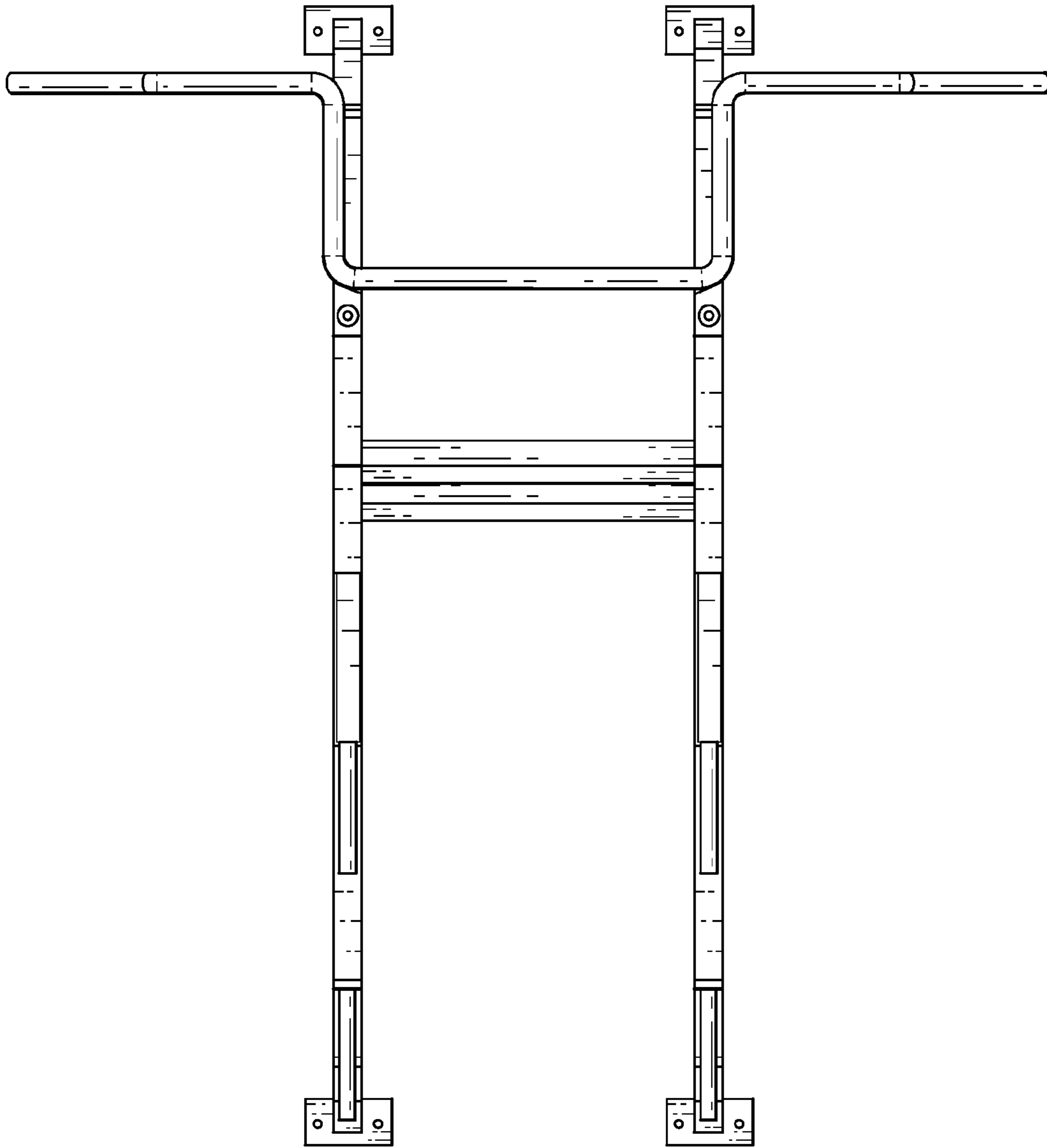


FIG. 4

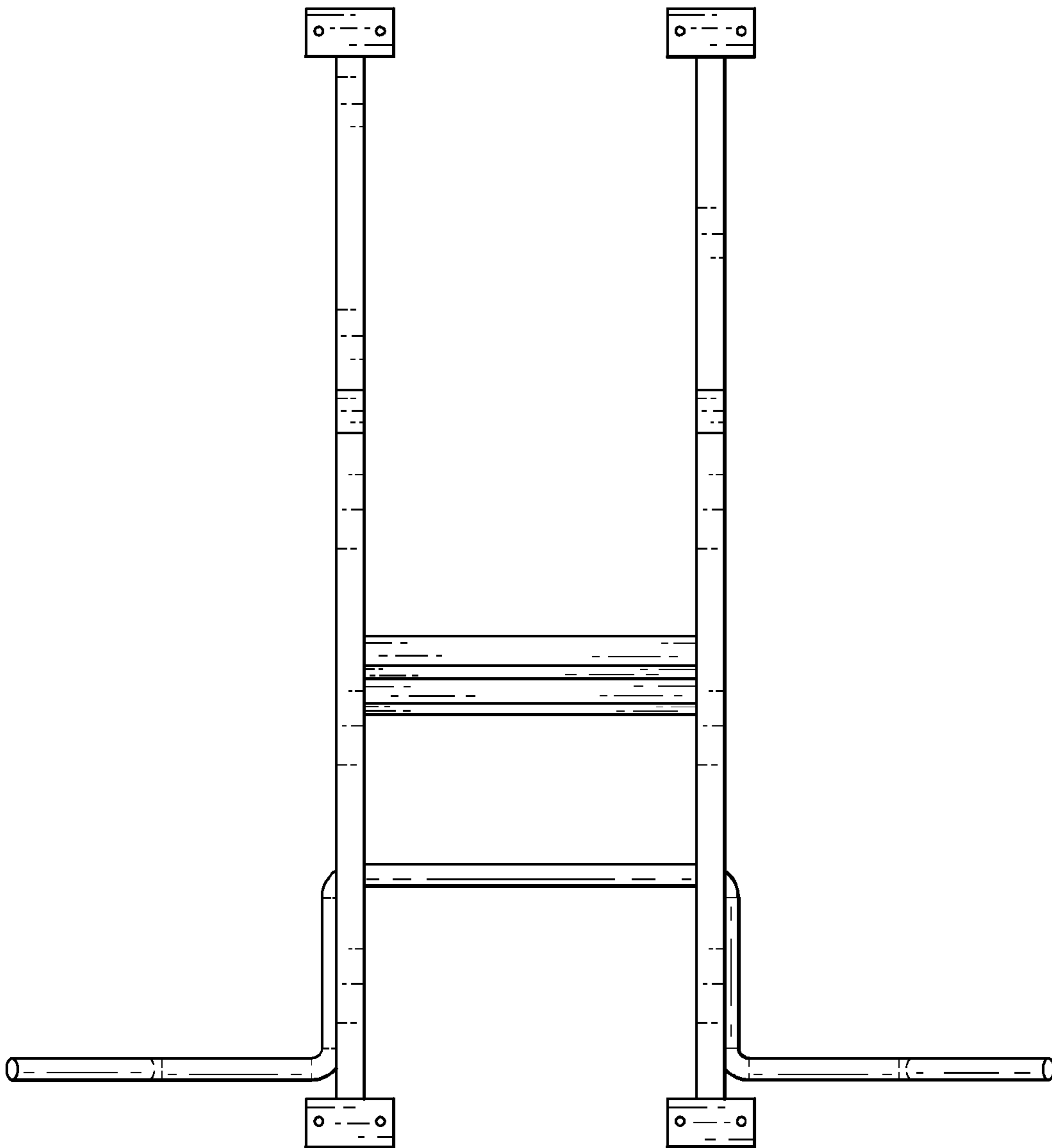
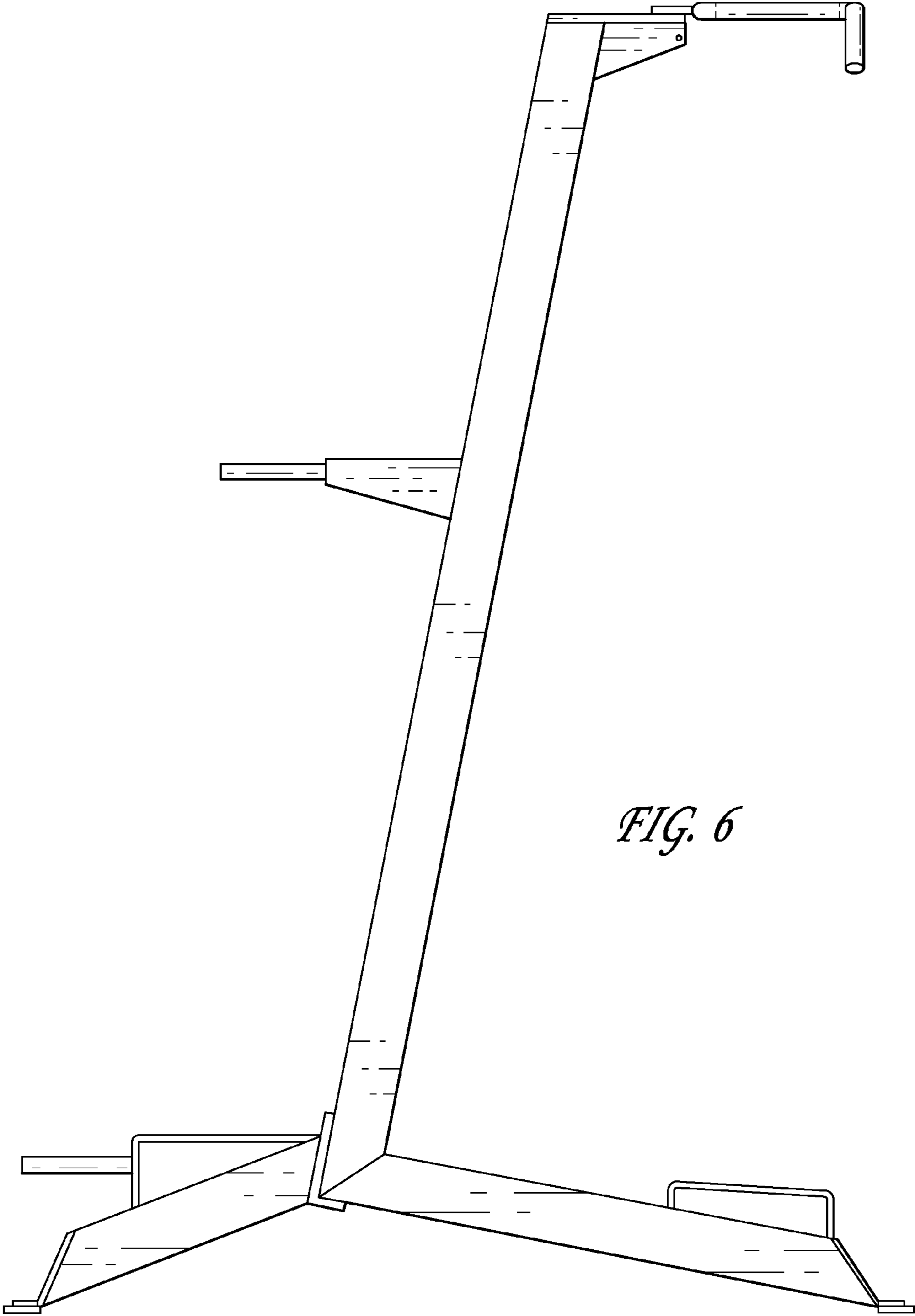


FIG. 5



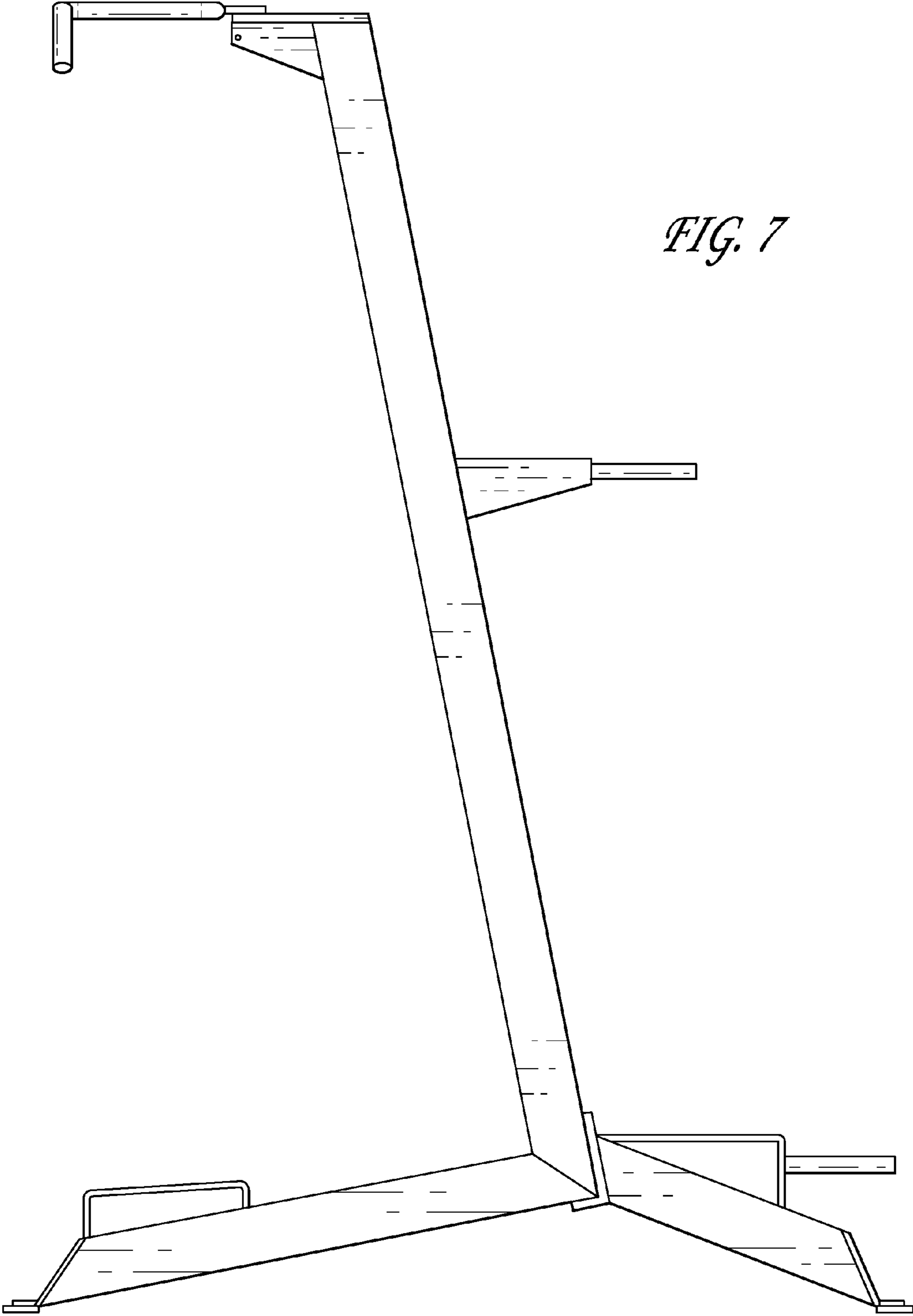


FIG. 7