



US00D578579S

(12) **United States Design Patent**
Seckel et al.

(10) **Patent No.:** **US D578,579 S**
(45) **Date of Patent:** **** Oct. 14, 2008**

(54) **TURTLE RIDE-ON TOY**

(75) Inventors: **Timothy Seckel**, Streamwood, IL (US);
Todd Herlitz, Chicago, IL (US)

(73) Assignee: **Radio Flyer Inc.**, Chicago, IL (US)

(**) Term: **14 Years**

(21) Appl. No.: **29/303,499**

(22) Filed: **Feb. 11, 2008**

(51) **LOC (8) Cl.** **21-01**

(52) **U.S. Cl.** **D21/428**

(58) **Field of Classification Search** D21/412,
D21/414, 415, 419, 424, 426, 427, 428, 603,
D21/831; 280/1.16, 1.165, 1.167, 1.191,
280/1.192, 1.22, 1.23, 827, 828, 87.01, 87.021,
280/87.03

See application file for complete search history.

(56) **References Cited**

U.S. PATENT DOCUMENTS

D85,019 S * 9/1931 Vetter D21/603
D149,383 S * 4/1948 Sebel D21/428
2,791,434 A * 5/1957 Wheeler 280/1.22
D190,037 S * 4/1961 Pressner D21/428

D237,520 S * 11/1975 Satten D21/603
D255,809 S * 7/1980 Bretschger D21/428
D345,393 S * 3/1994 Chen D21/425
D351,628 S * 10/1994 Chen D21/428

* cited by examiner

Primary Examiner—Holly H. Baynham

Assistant Examiner—Cynthia M Chin

(74) *Attorney, Agent, or Firm*—DLA Piper US LLP; R. Blake Johnston

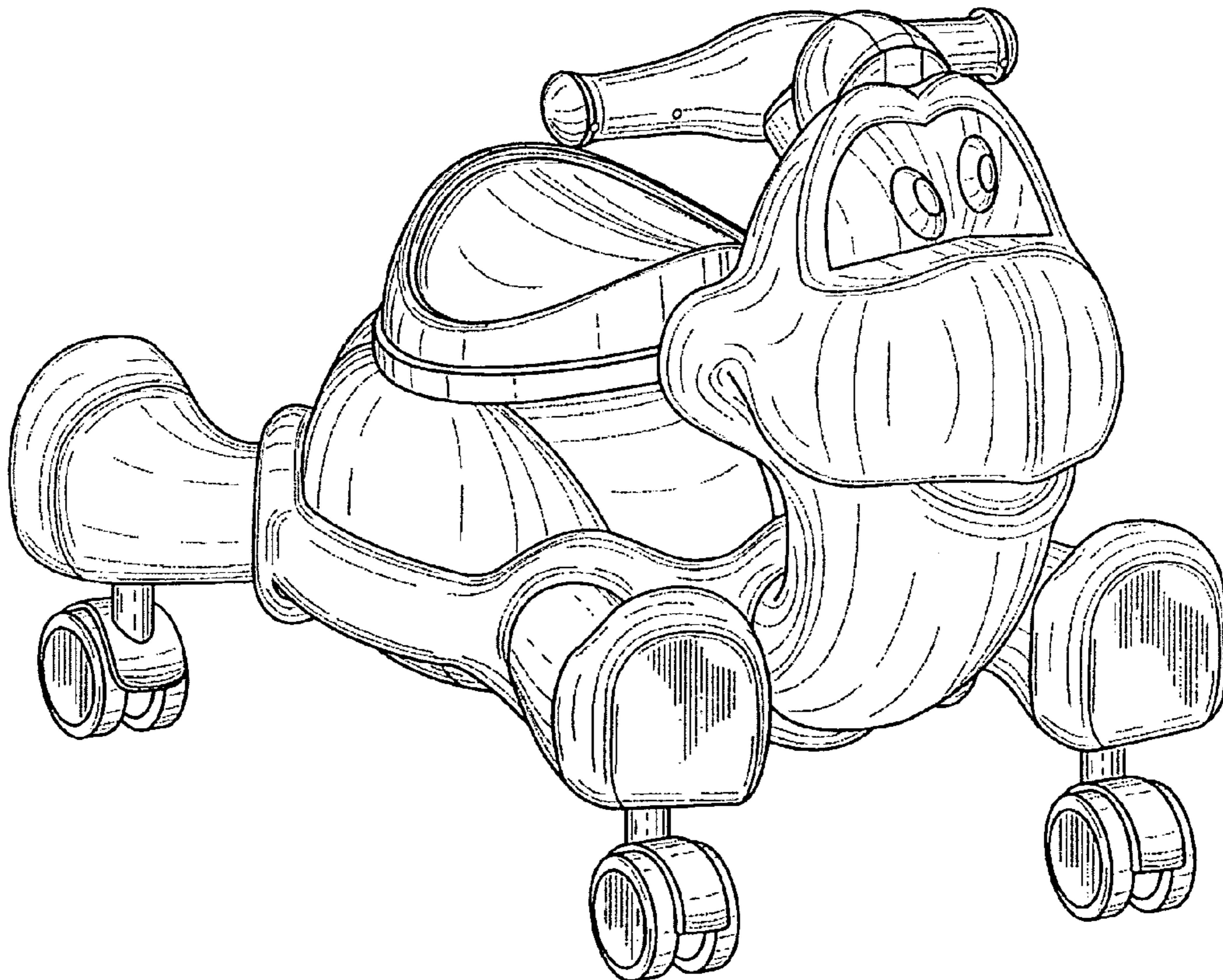
(57) **CLAIM**

The ornamental design for a turtle ride-on toy, as shown and described.

DESCRIPTION

FIG. 1 is a perspective view of the turtle ride-on toy;
FIG. 2 is a front elevational view of the turtle ride-on toy;
FIG. 3 is a left side elevational view of the turtle ride-on toy;
FIG. 4 is a rear elevational view of the turtle ride-on toy;
FIG. 5 is a right side elevational view of the turtle ride-on toy;
FIG. 6 is a top plan view of the turtle ride-on toy; and,
FIG. 7 is a bottom plan view of the turtle ride-on toy.

1 Claim, 7 Drawing Sheets



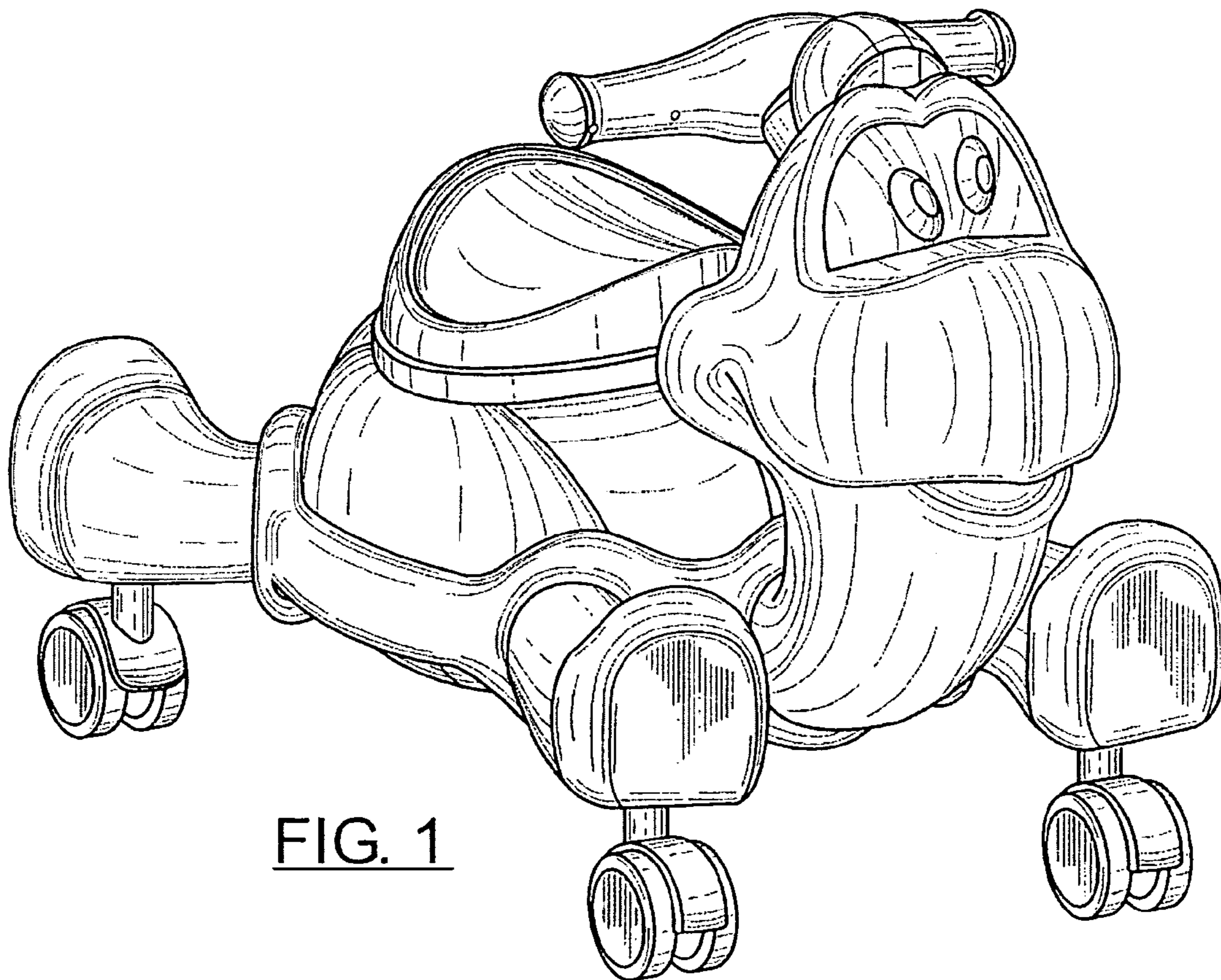


FIG. 1

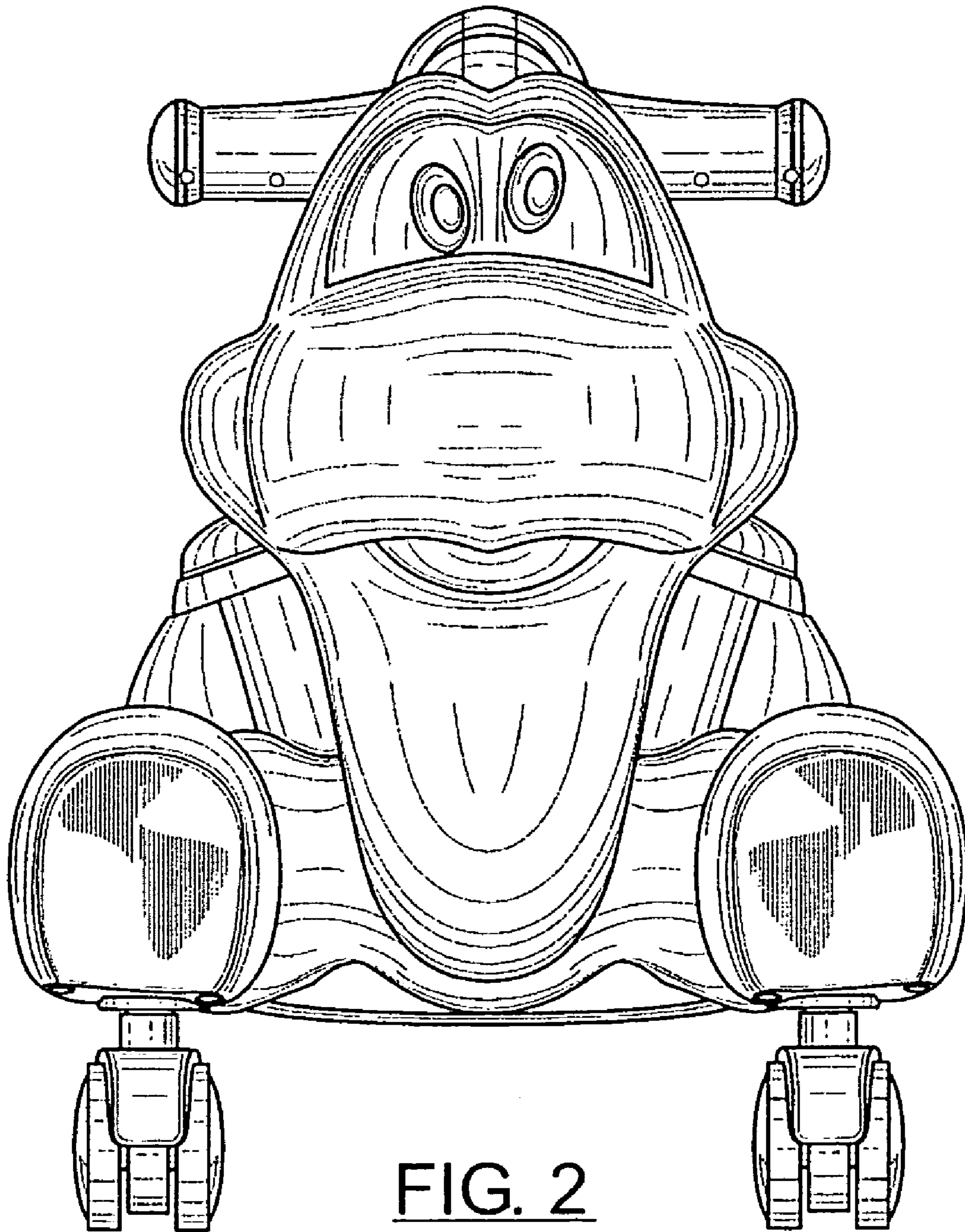


FIG. 2

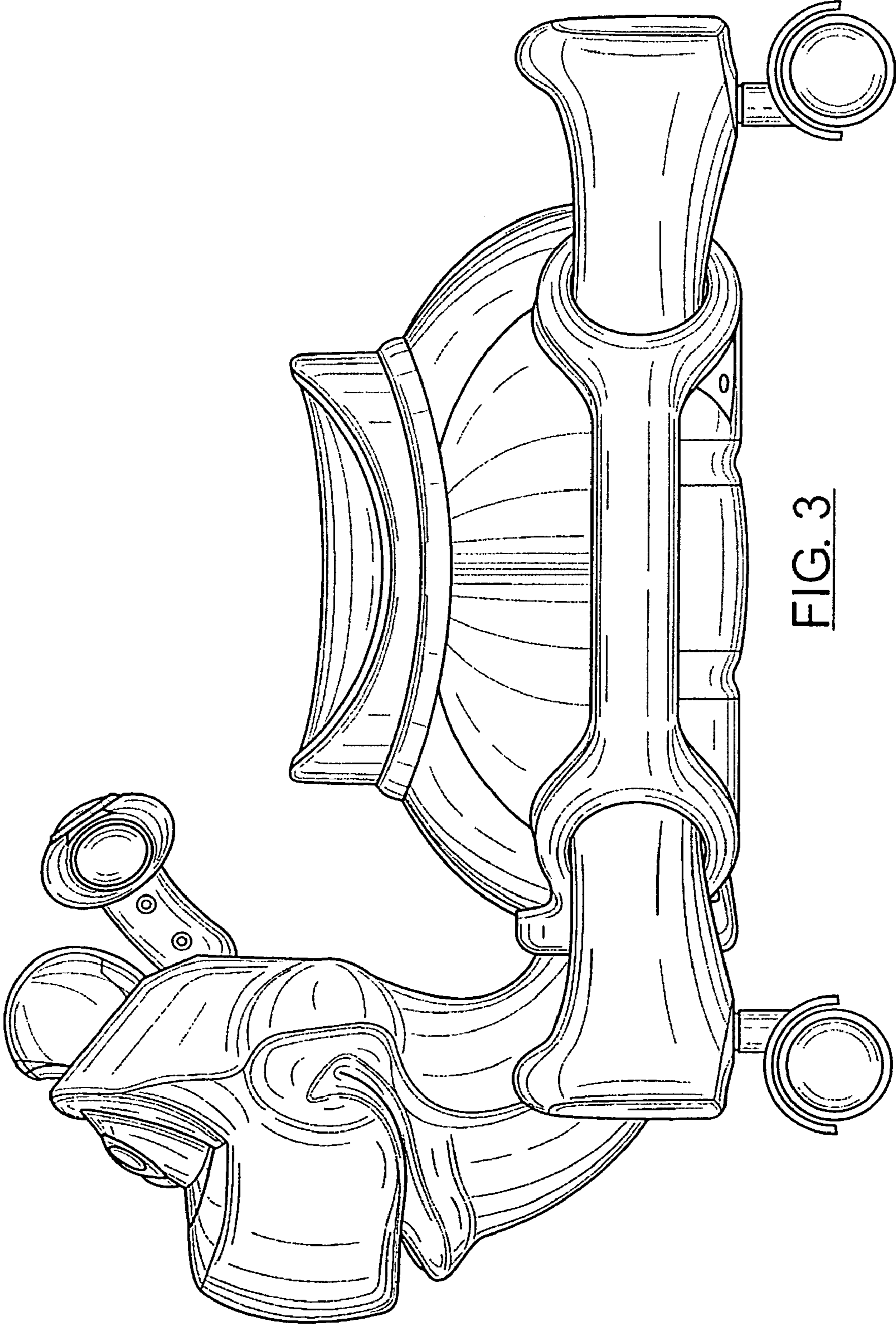
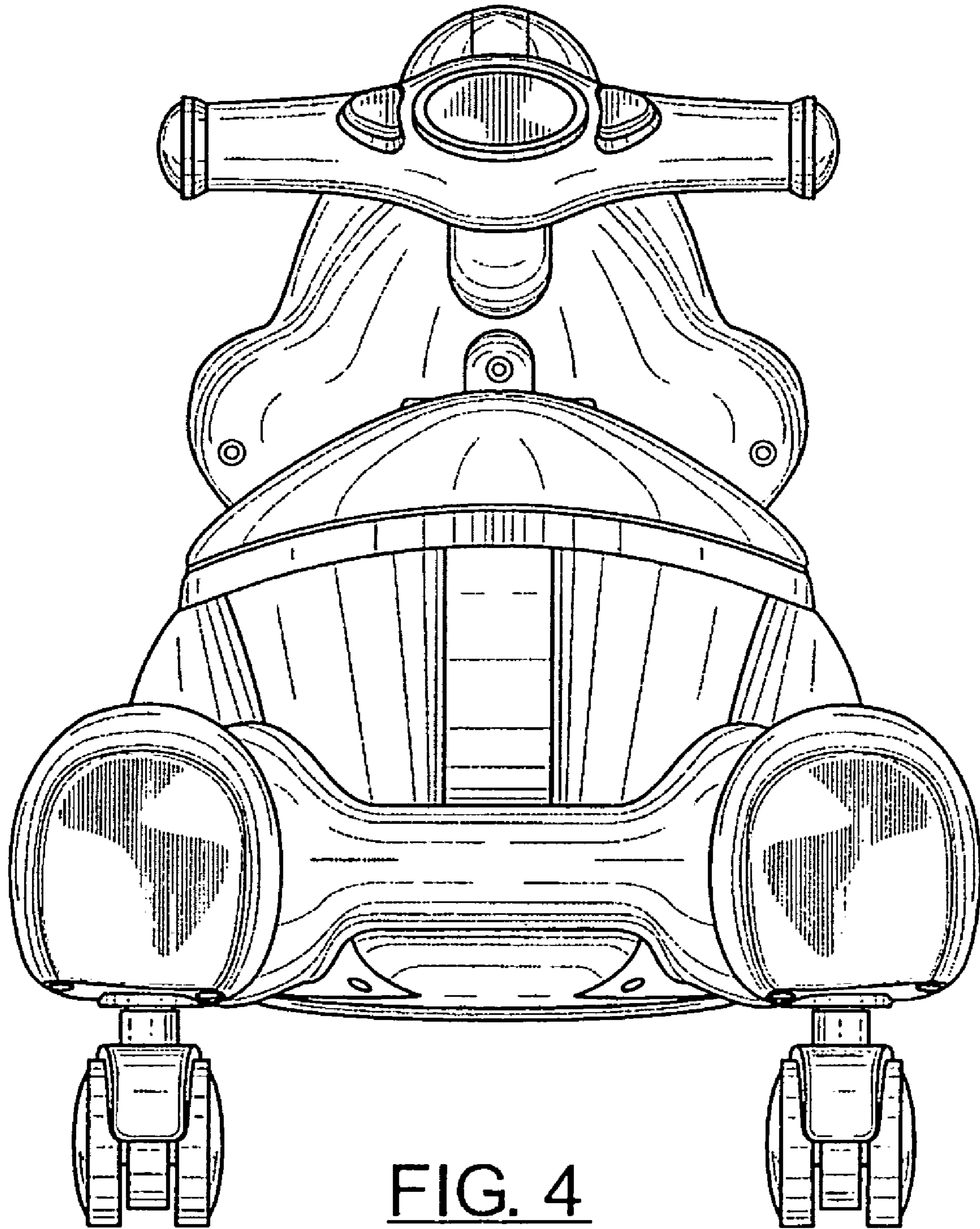


FIG. 3



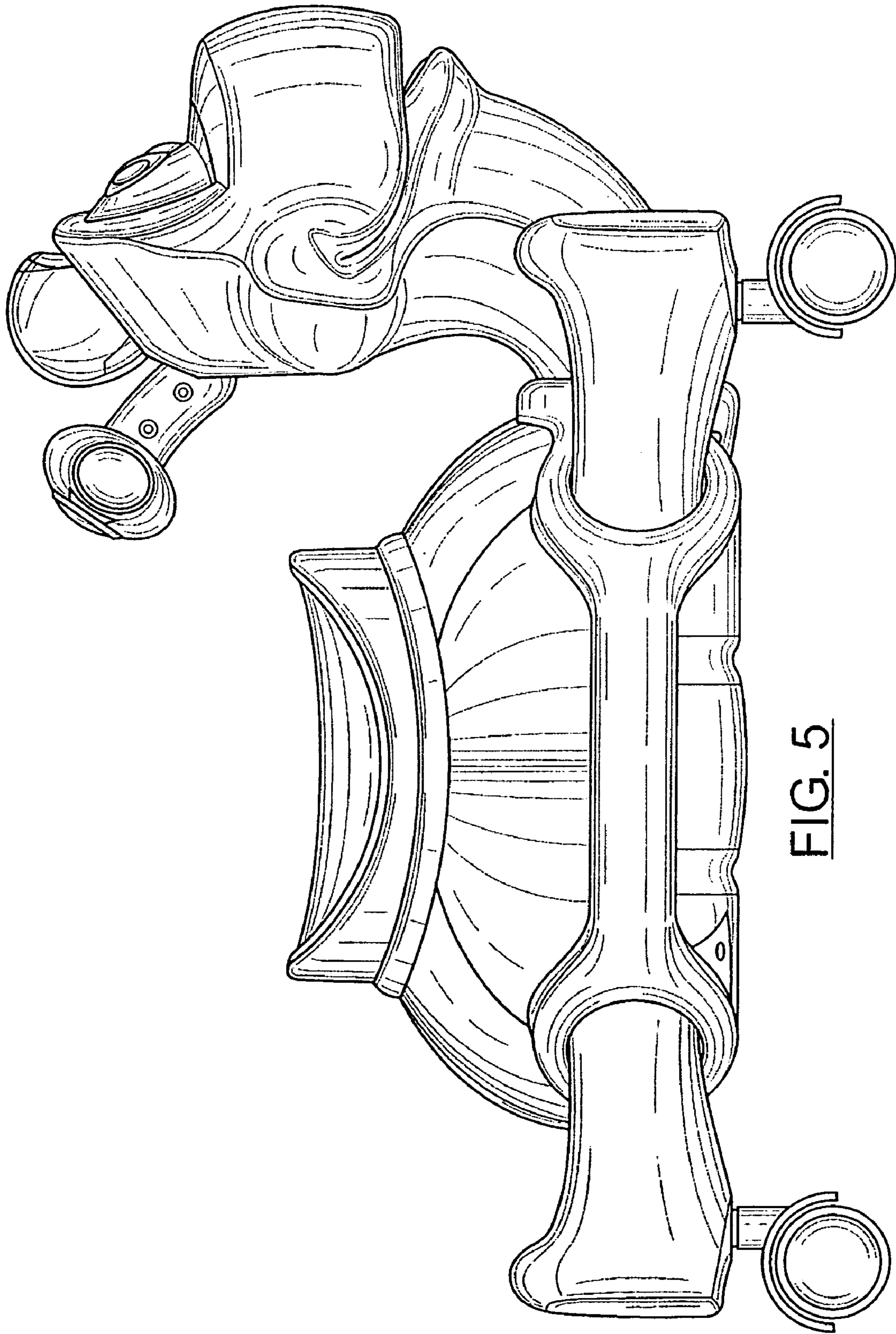


FIG. 5

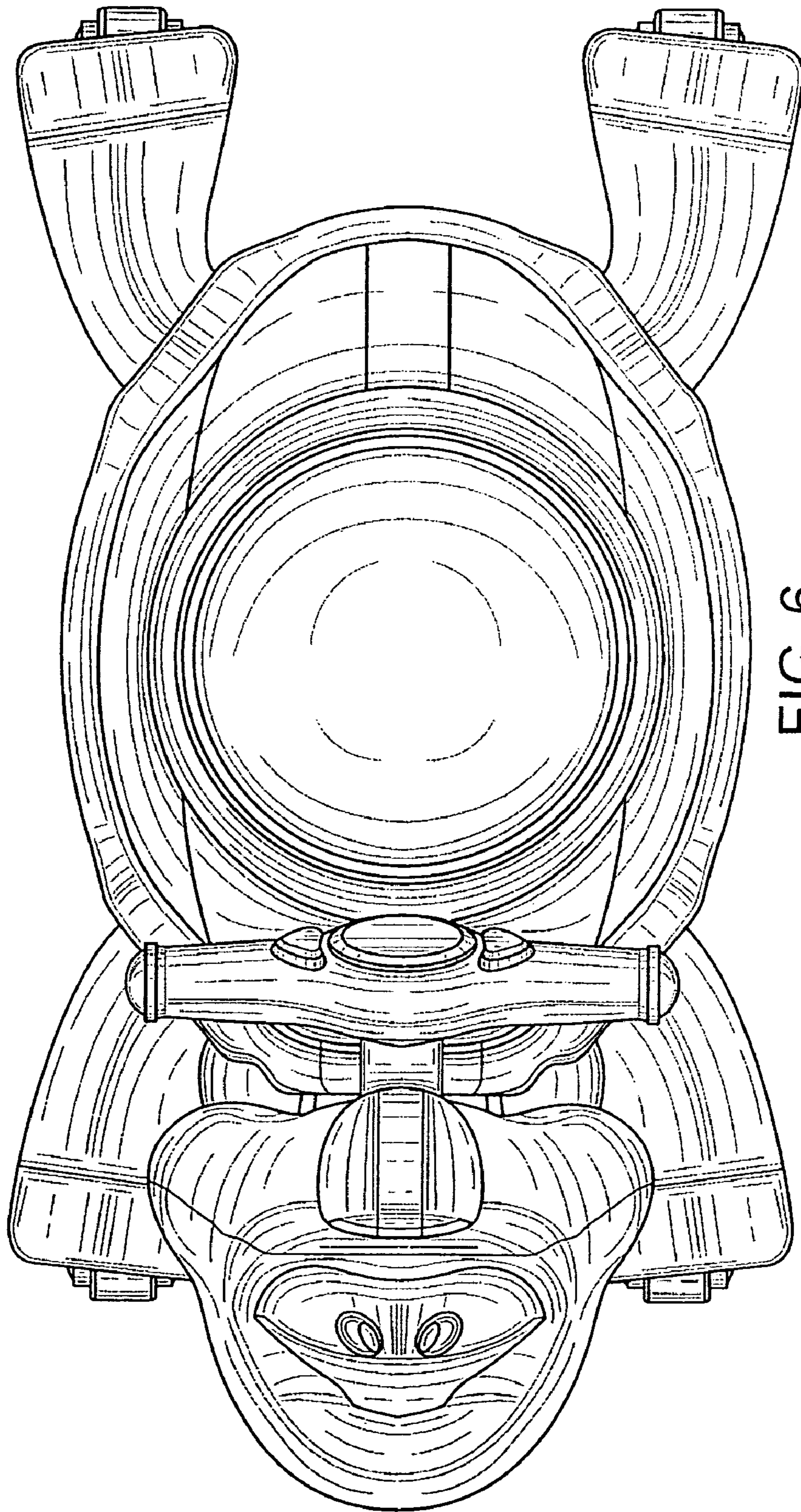


FIG. 6

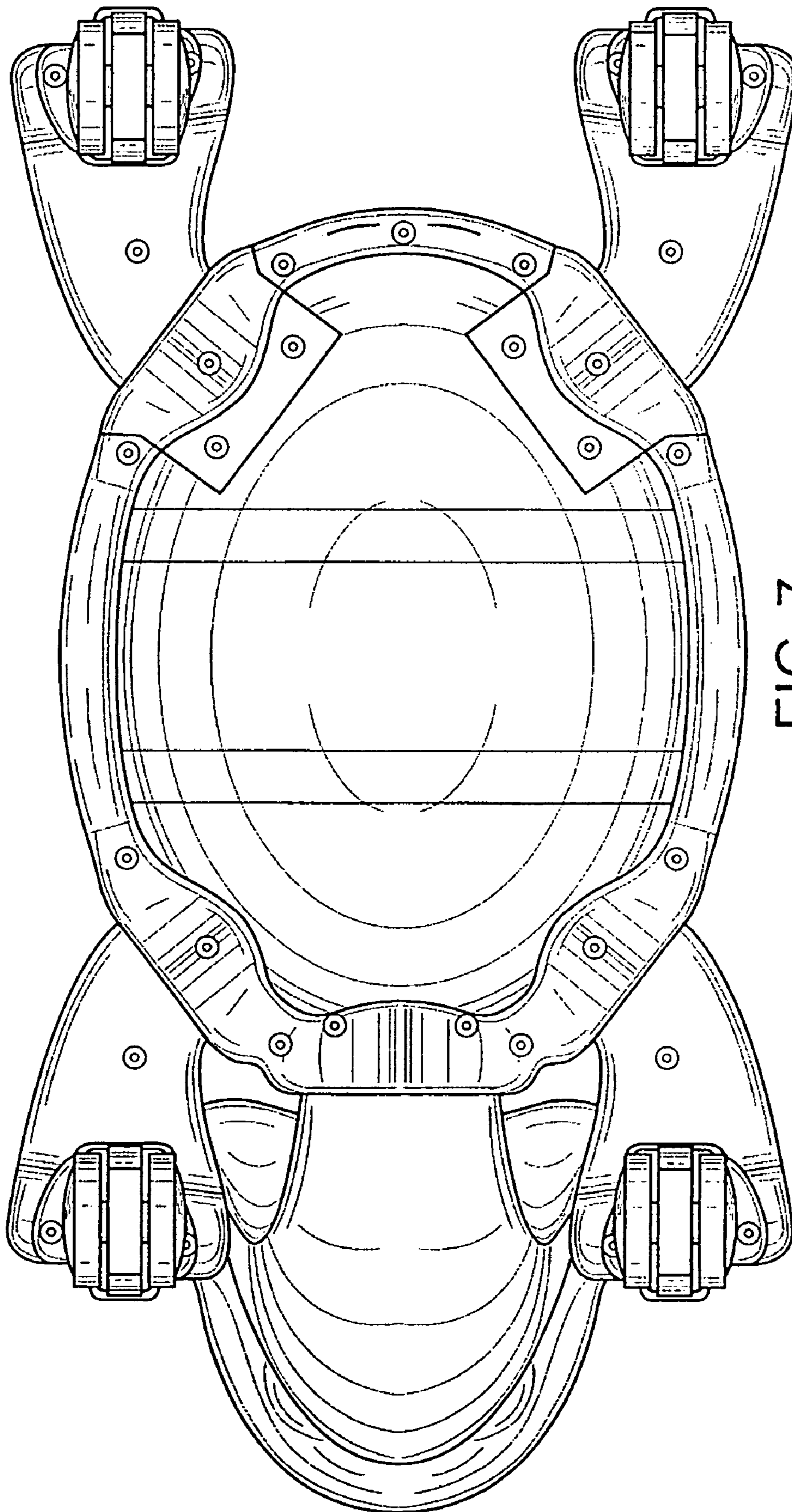


FIG. 7