



US00D578578S

(12) **United States Design Patent**
Moore

(10) **Patent No.:** **US D578,578 S**

(45) **Date of Patent:** **** Oct. 14, 2008**

(54) **NOISE MAKER**

(75) Inventor: **Terry P. Moore**, Newtown Square, PA (US)

(73) Assignee: **Uniqueko LLC**, Newtown Square, PA (US)

(**) Term: **14 Years**

(21) Appl. No.: **29/306,429**

(22) Filed: **Apr. 9, 2008**

Related U.S. Application Data

(60) Division of application No. 29/296,911, filed on Oct. 31, 2007, now Pat. No. Des. 569,444, which is a continuation-in-part of application No. 29/224,018, filed on Feb. 23, 2005, now abandoned.

(51) **LOC (8) Cl.** **21-01**

(52) **U.S. Cl.** **D21/405**

(58) **Field of Classification Search** D21/405-408, D21/466, 722, 729, 731; D17/22, 99; 446/418-422; 84/402-420; 473/527-530

See application file for complete search history.

(56) **References Cited**

U.S. PATENT DOCUMENTS

479,636	A *	7/1892	Droop	84/422.1
823,713	A *	6/1906	Chein	446/422
1,562,721	A *	11/1925	Pierce	446/252
2,066,799	A *	1/1937	Reynolds	273/329
2,105,379	A *	1/1938	Smith	273/329
2,159,817	A *	5/1939	Pierce	446/421
2,280,582	A *	4/1942	Hoeflich	156/253
2,326,305	A *	8/1943	Morarre	84/411 R
4,045,264	A *	8/1977	Ludwig et al.	156/63
4,266,459	A *	5/1981	Seregely	84/402
4,549,736	A *	10/1985	Lotfy	473/530
5,177,310	A *	1/1993	Davies	84/404

5,217,222	A *	6/1993	Rudell et al.	473/528
D337,621	S *	7/1993	Wong	D21/466
D339,602	S *	9/1993	Davies	D17/22
5,316,296	A *	5/1994	Ben-Zirma et al.	473/521
5,562,521	A *	10/1996	Butler et al.	446/397
6,613,970	B2 *	9/2003	Davies	84/402

* cited by examiner

Primary Examiner—Catherine Tuttle

(74) *Attorney, Agent, or Firm*—Fish & Richardson P.C.; Richard C. Weinblatt

(57) **CLAIM**

The ornamental design for a noise maker, as shown and described.

DESCRIPTION

FIG. 1 is a rear perspective view of the noise maker.

FIG. 2 is a rear view of the noise maker of FIG. 1.

FIG. 3 is a front view of the noise maker of FIG. 1.

FIG. 4 is a right-side view of the noise maker of FIG. 1, the left-side view being a mirror image thereof.

FIG. 5 is a top view of the noise maker of FIG. 1.

FIG. 6 is a bottom view of the noise maker of FIG. 1.

FIG. 7 is a rear perspective view of a second embodiment of the noise maker.

FIG. 8 is a rear view of the noise maker of FIG. 7.

FIG. 9 is a front view of the noise maker of FIG. 7.

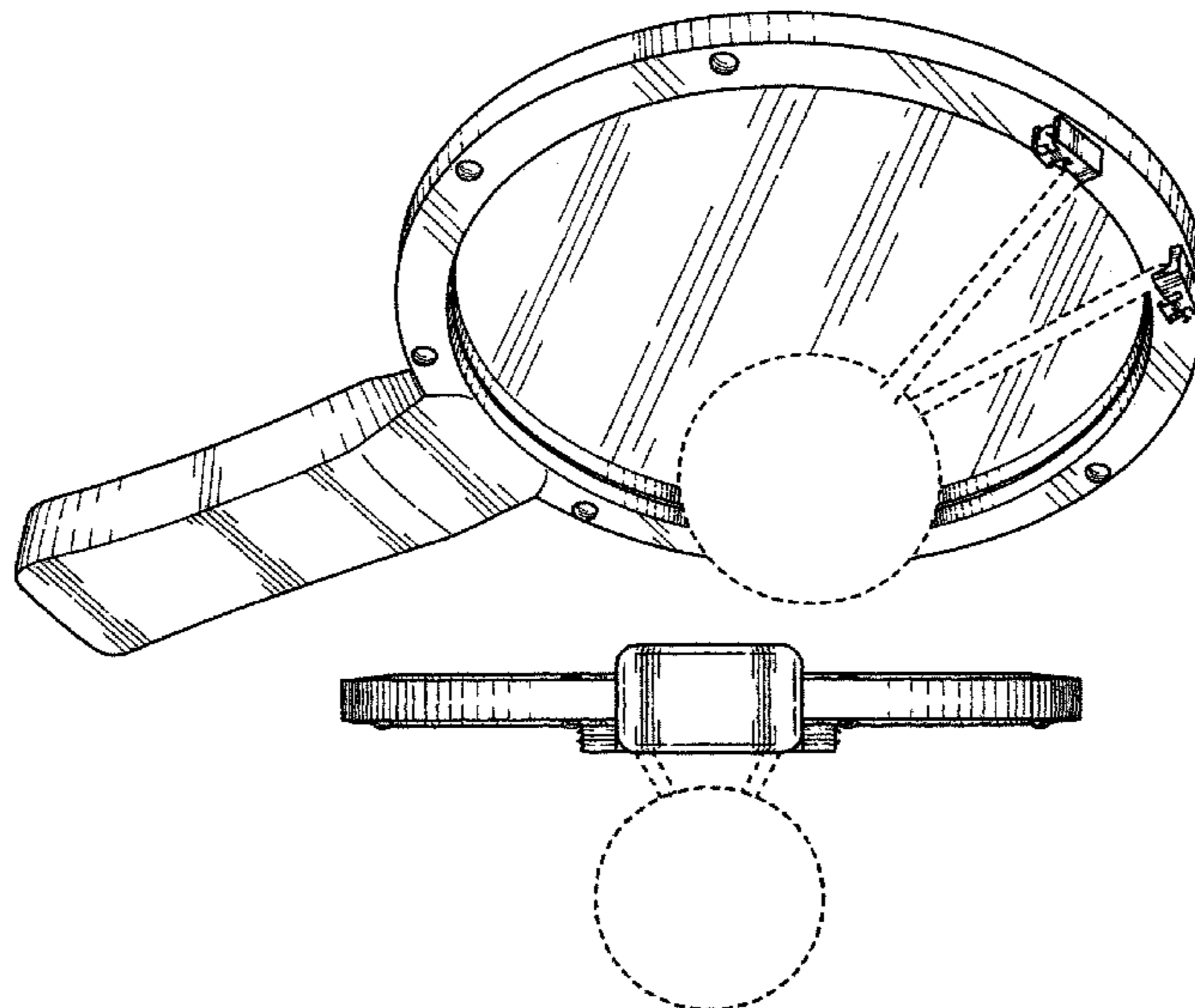
FIG. 10 is a right-side view of the noise maker of FIG. 7, the left-side view being a mirror image thereof.

FIG. 11 is a top view of the noise maker of FIG. 7; and,

FIG. 12 is a bottom view of the noise maker of FIG. 7.

The broken lines are included for the purpose of illustrating portions of the noise maker that form no part of the claim to the embodiment in which they are shown.

1 Claim, 10 Drawing Sheets



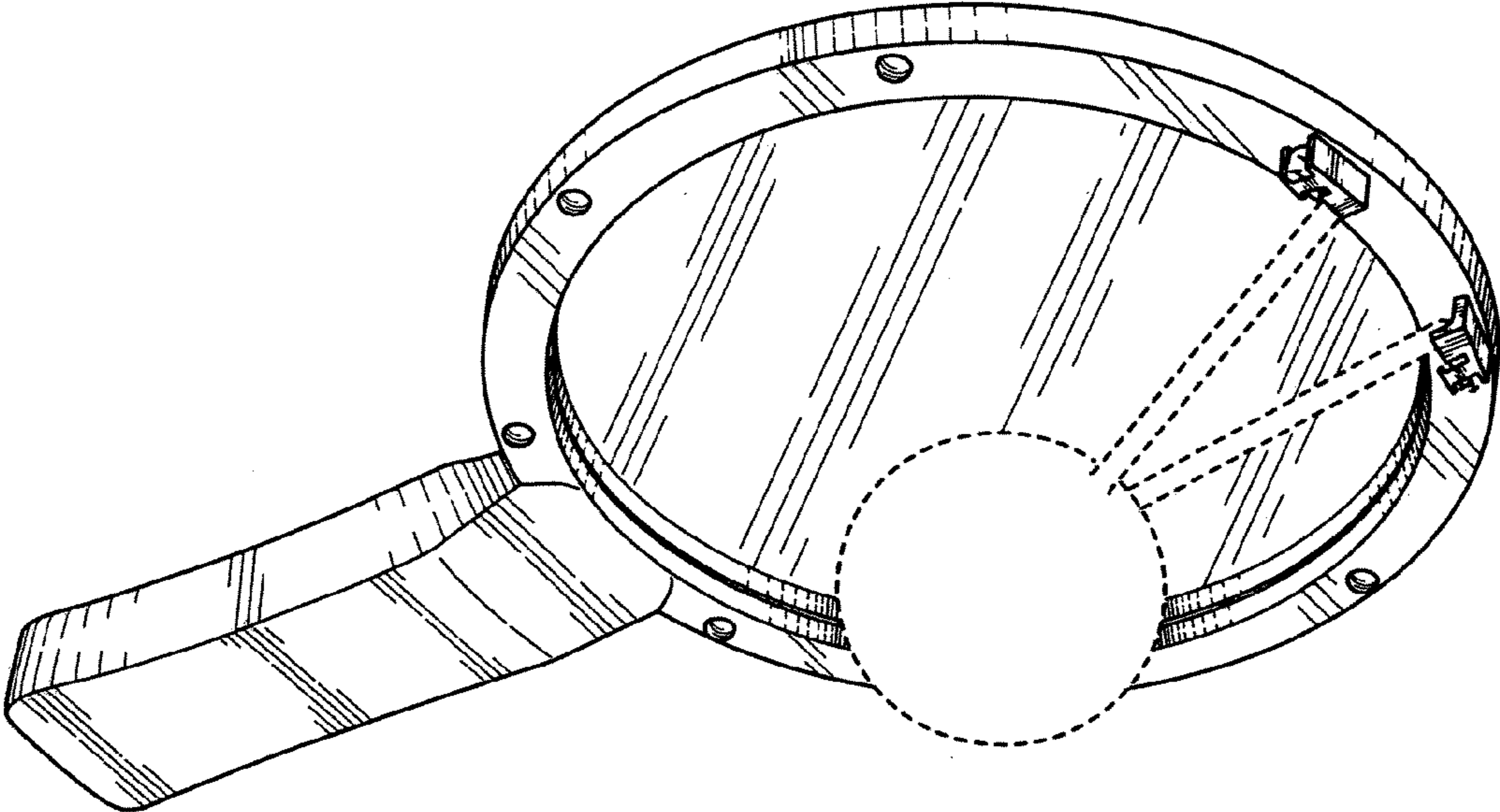


FIG 1

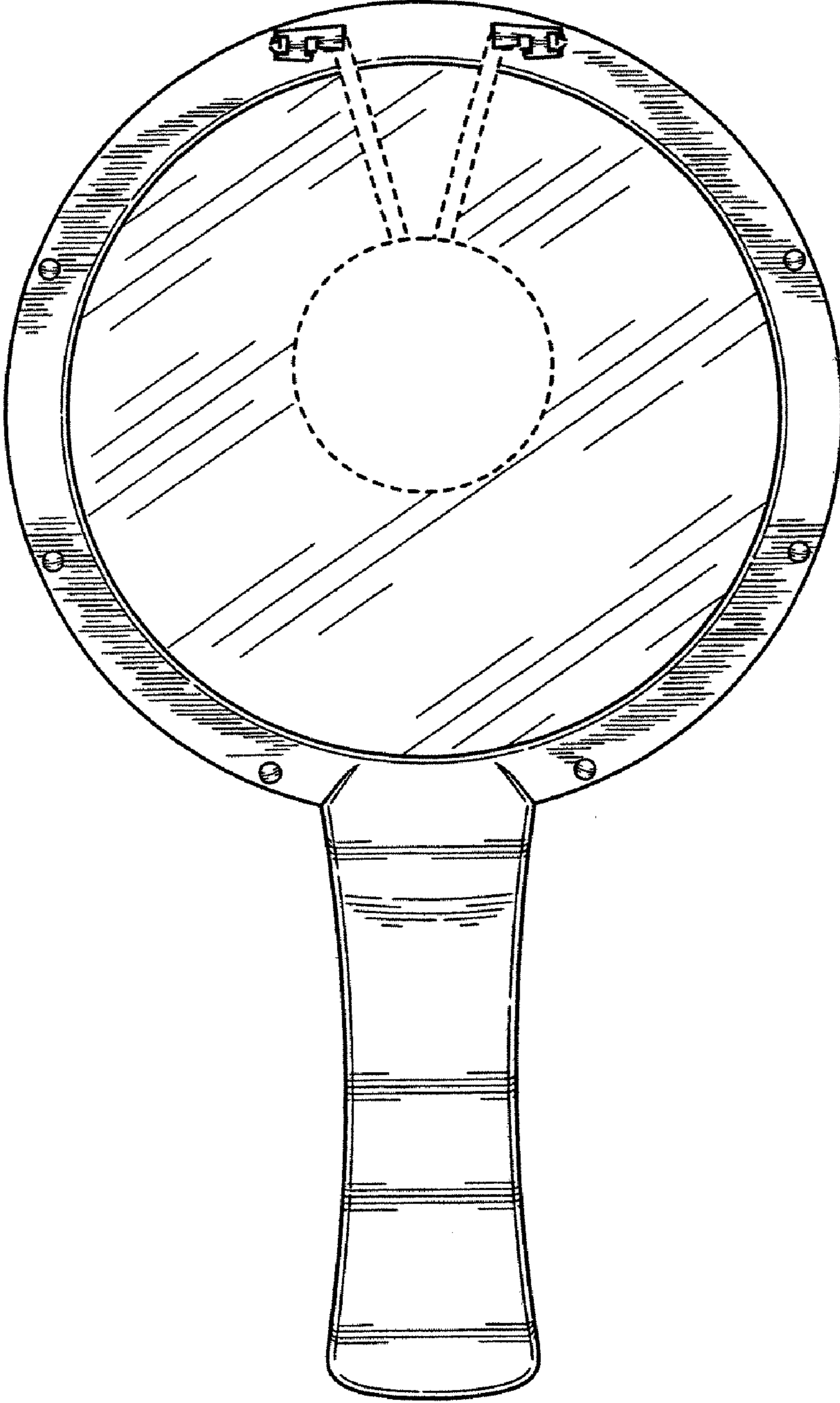


FIG 2

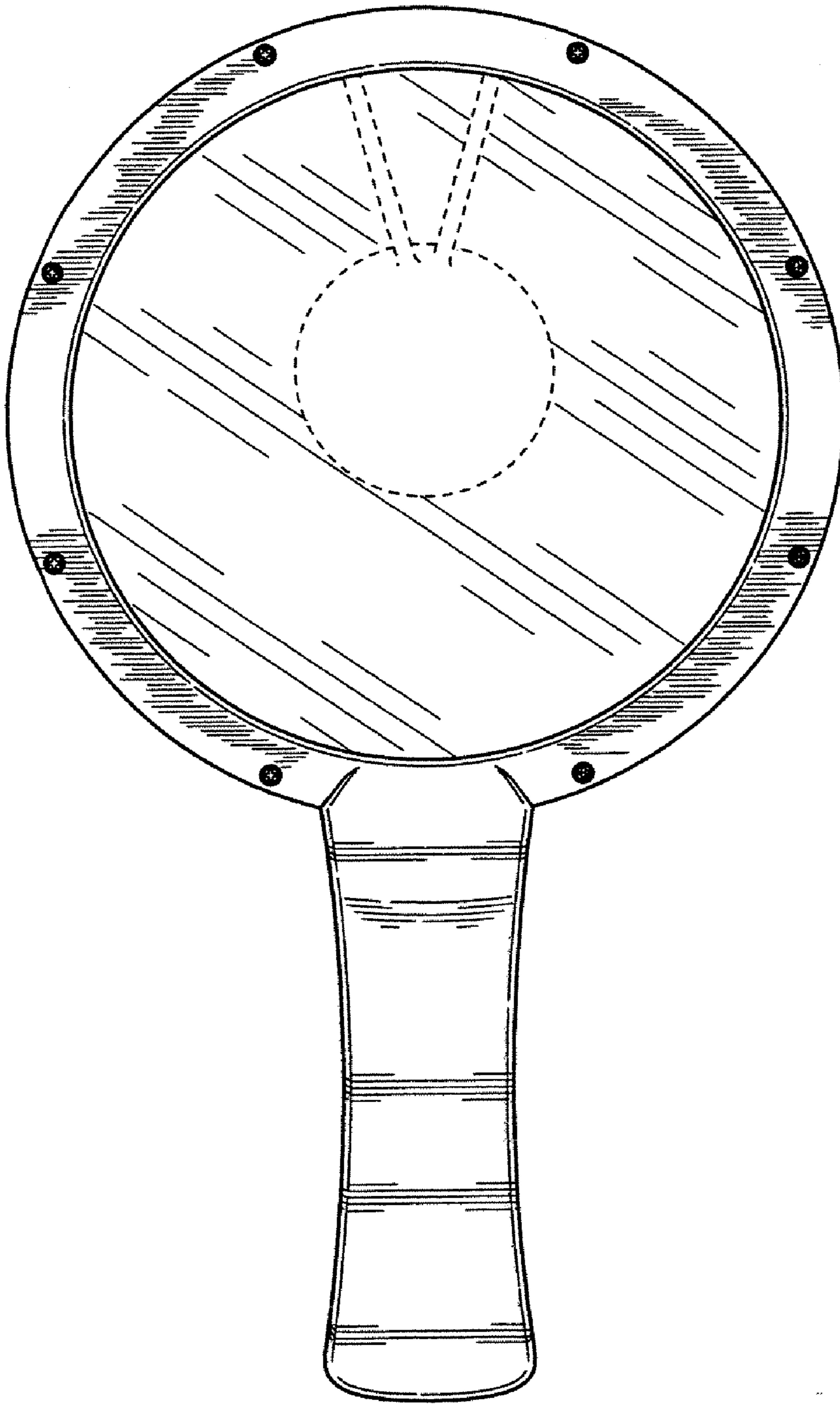


FIG 3

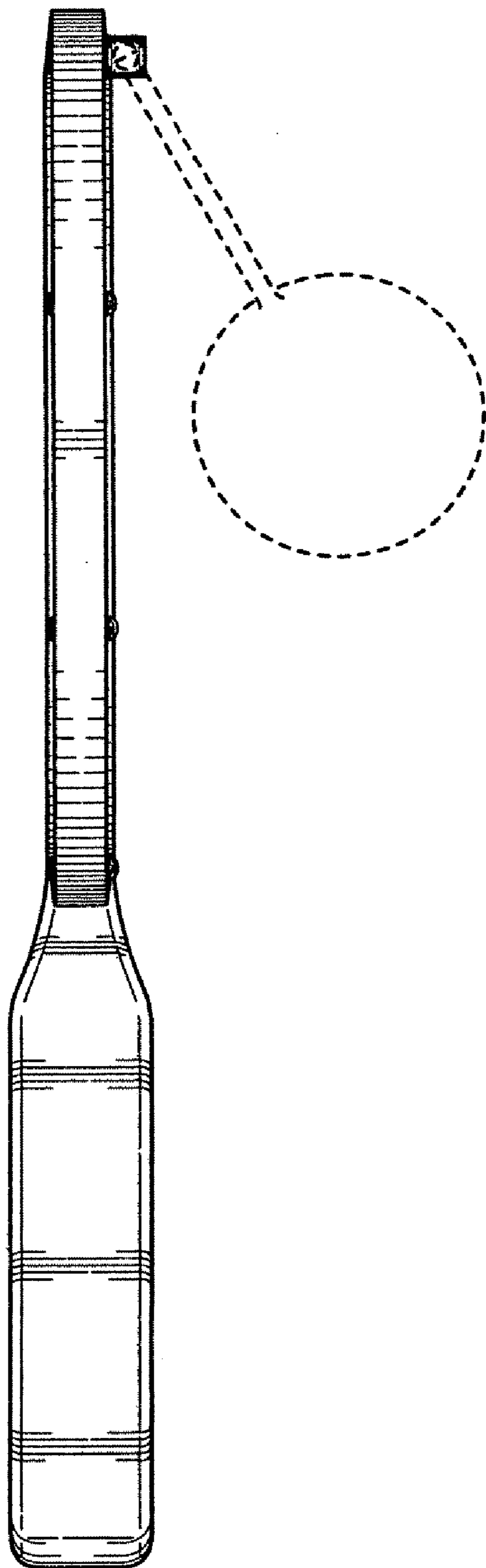


FIG 4

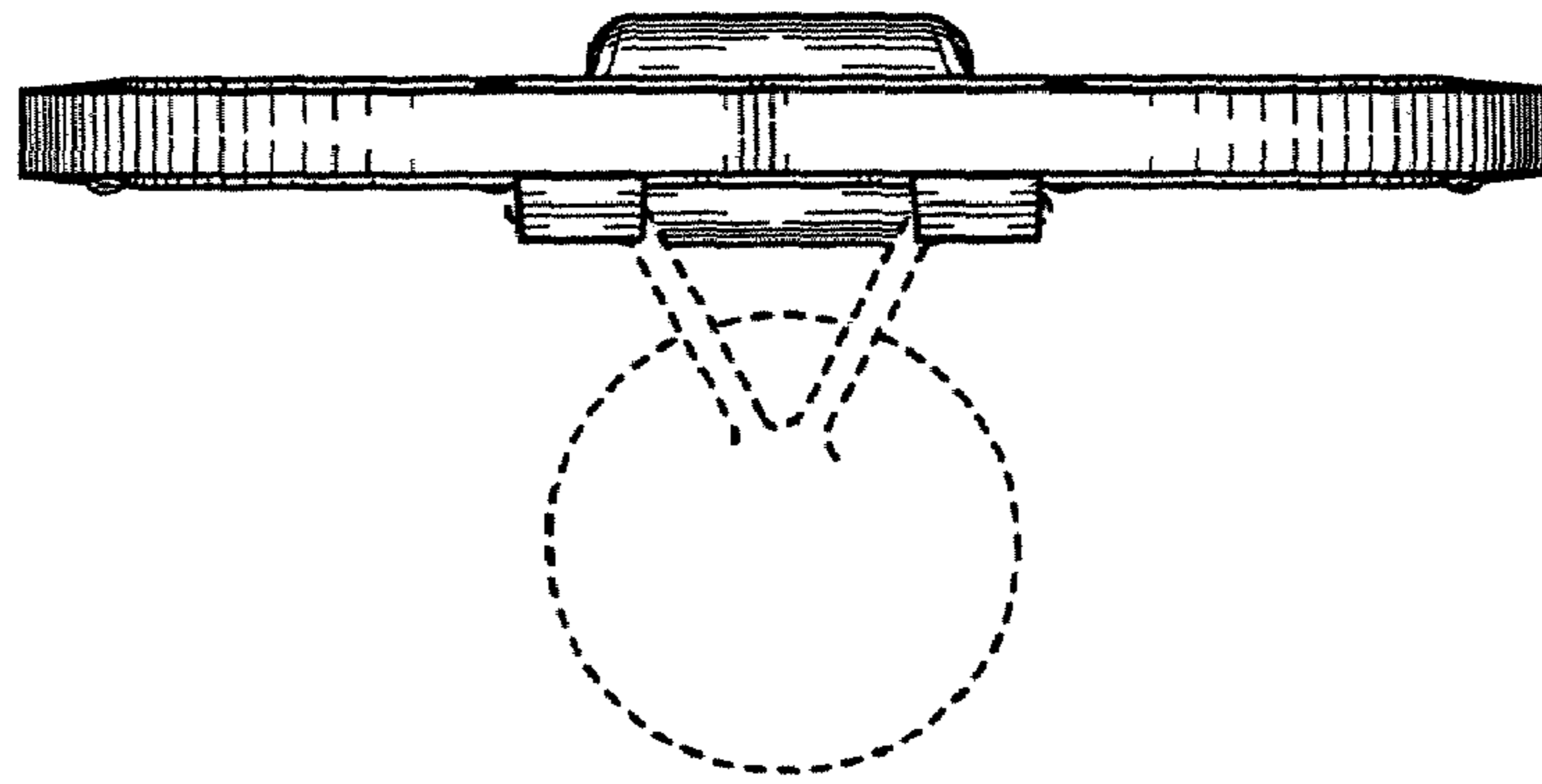


FIG 5

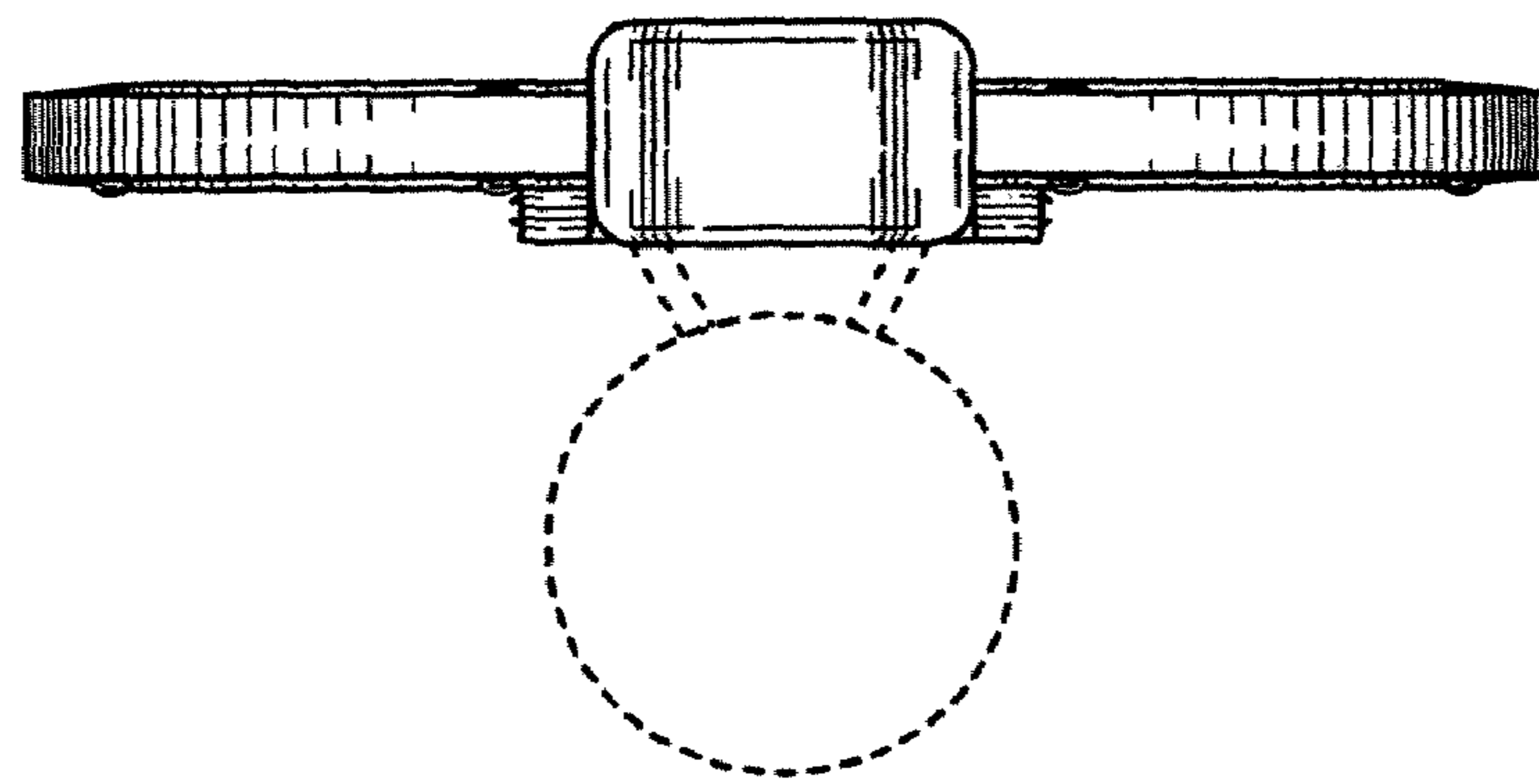


FIG 6

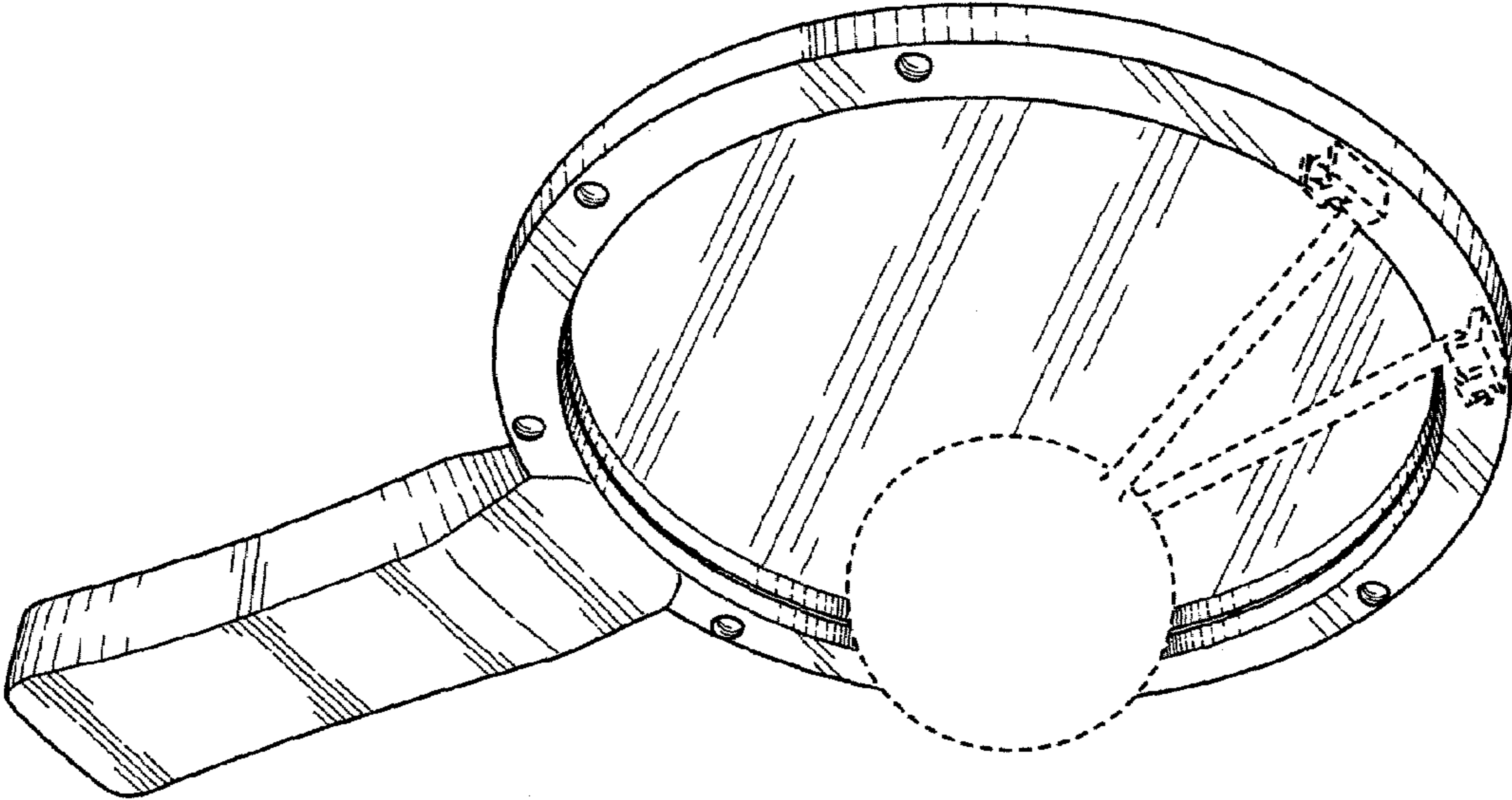


FIG 7

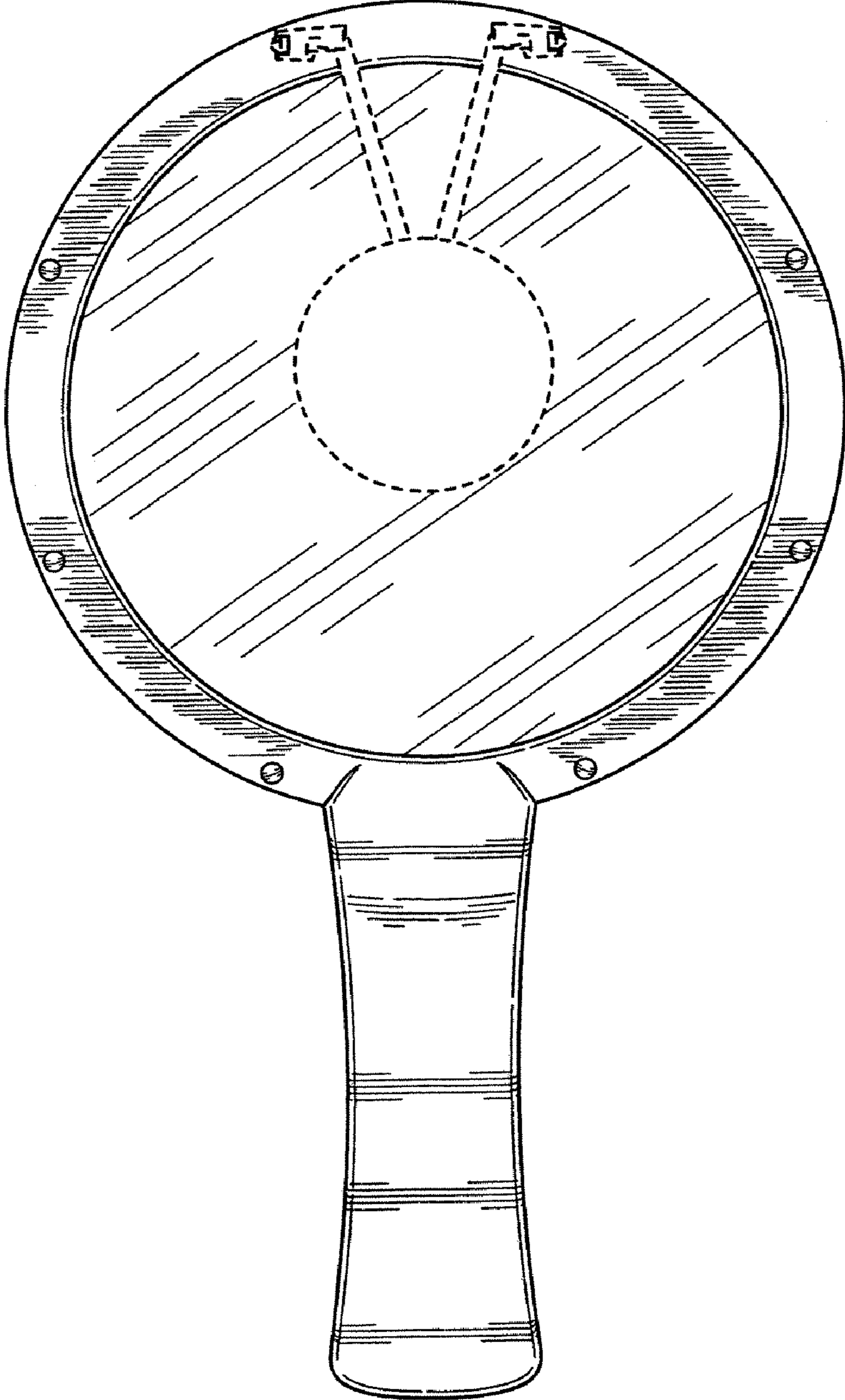


FIG 8

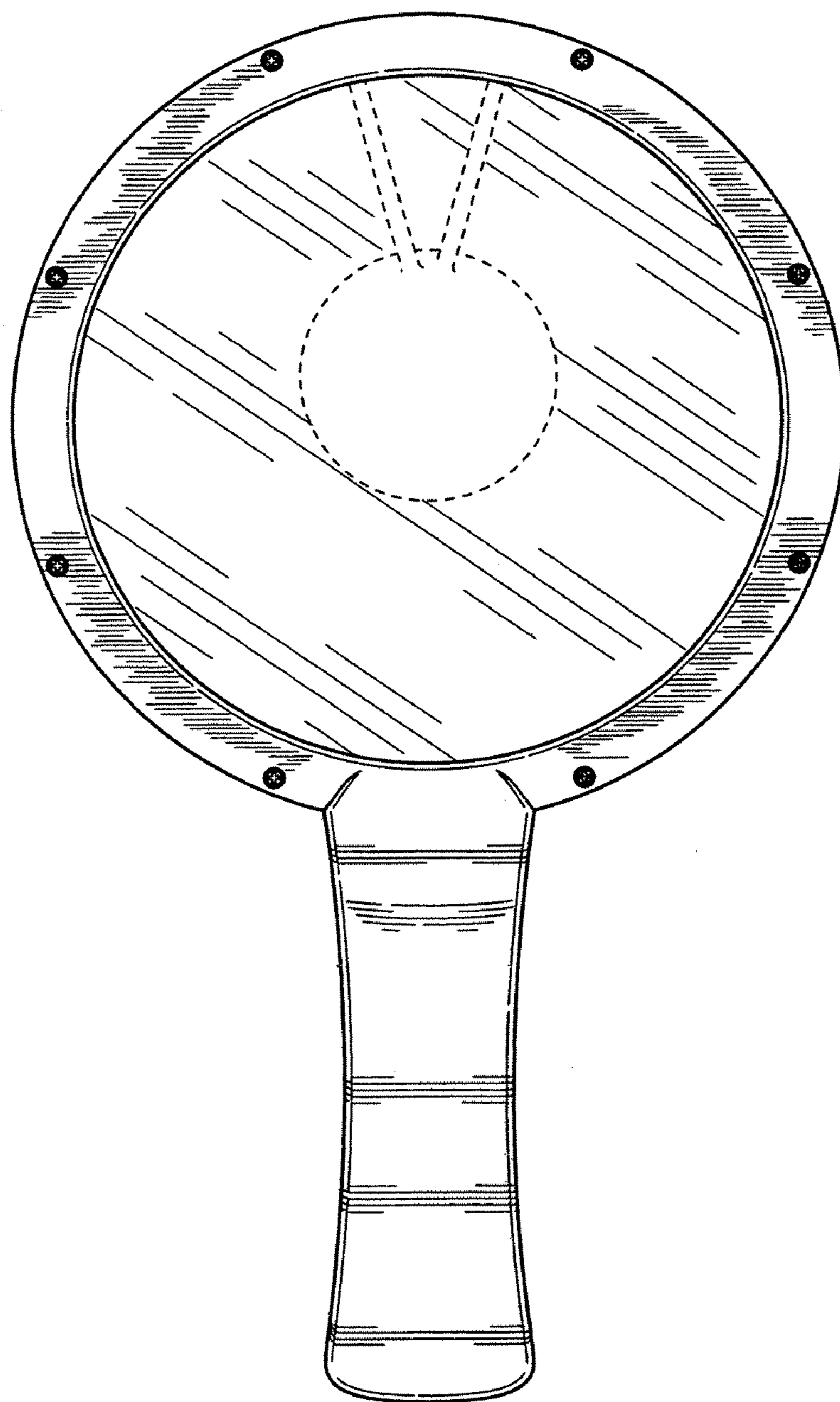


FIG 9

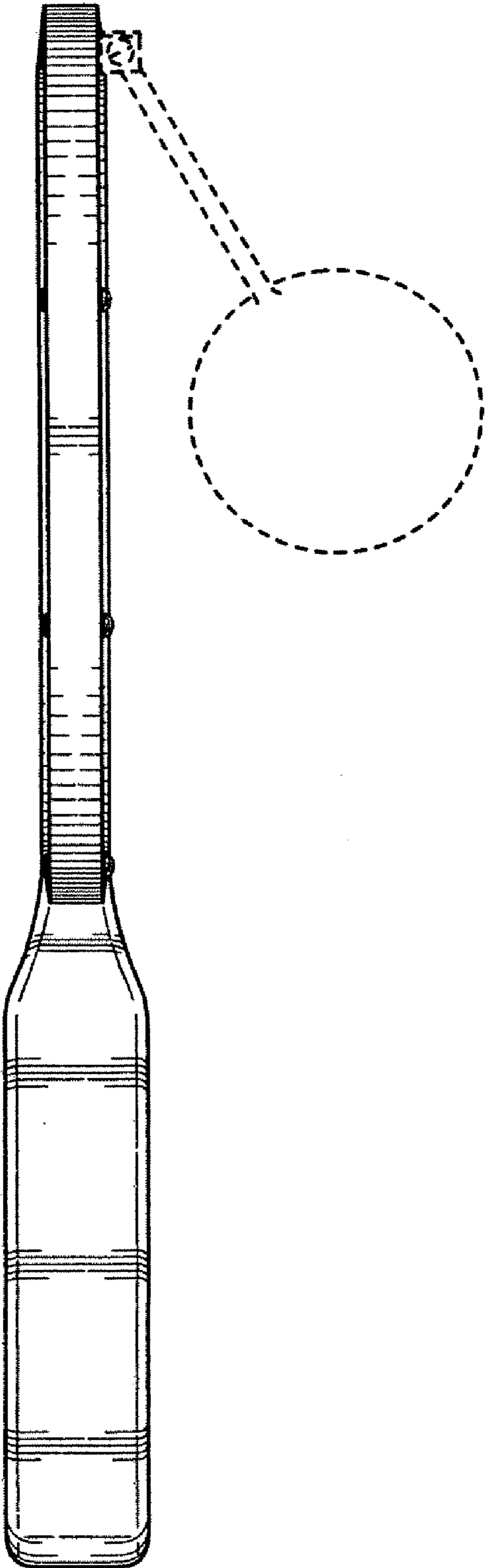


FIG 10

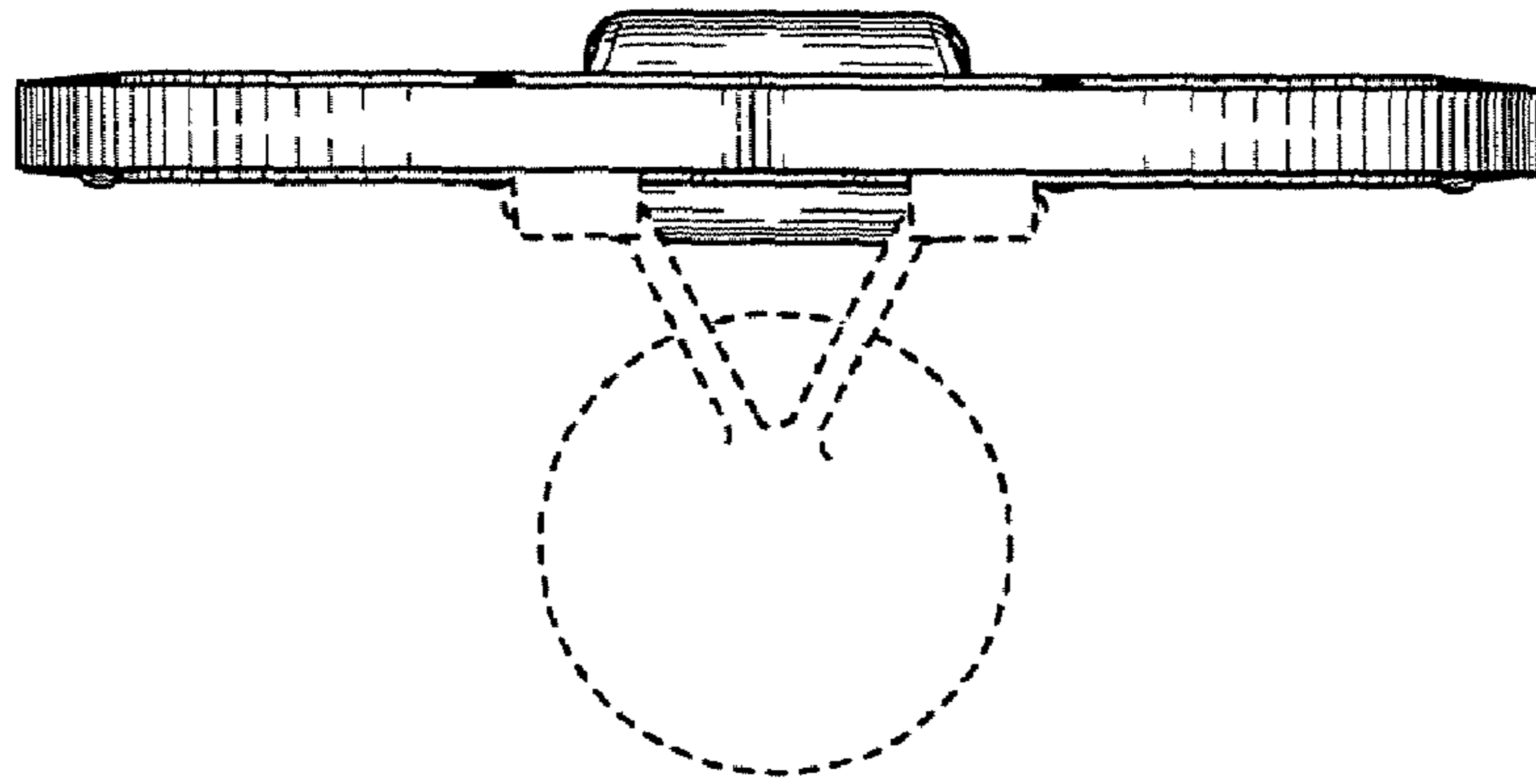


FIG 11

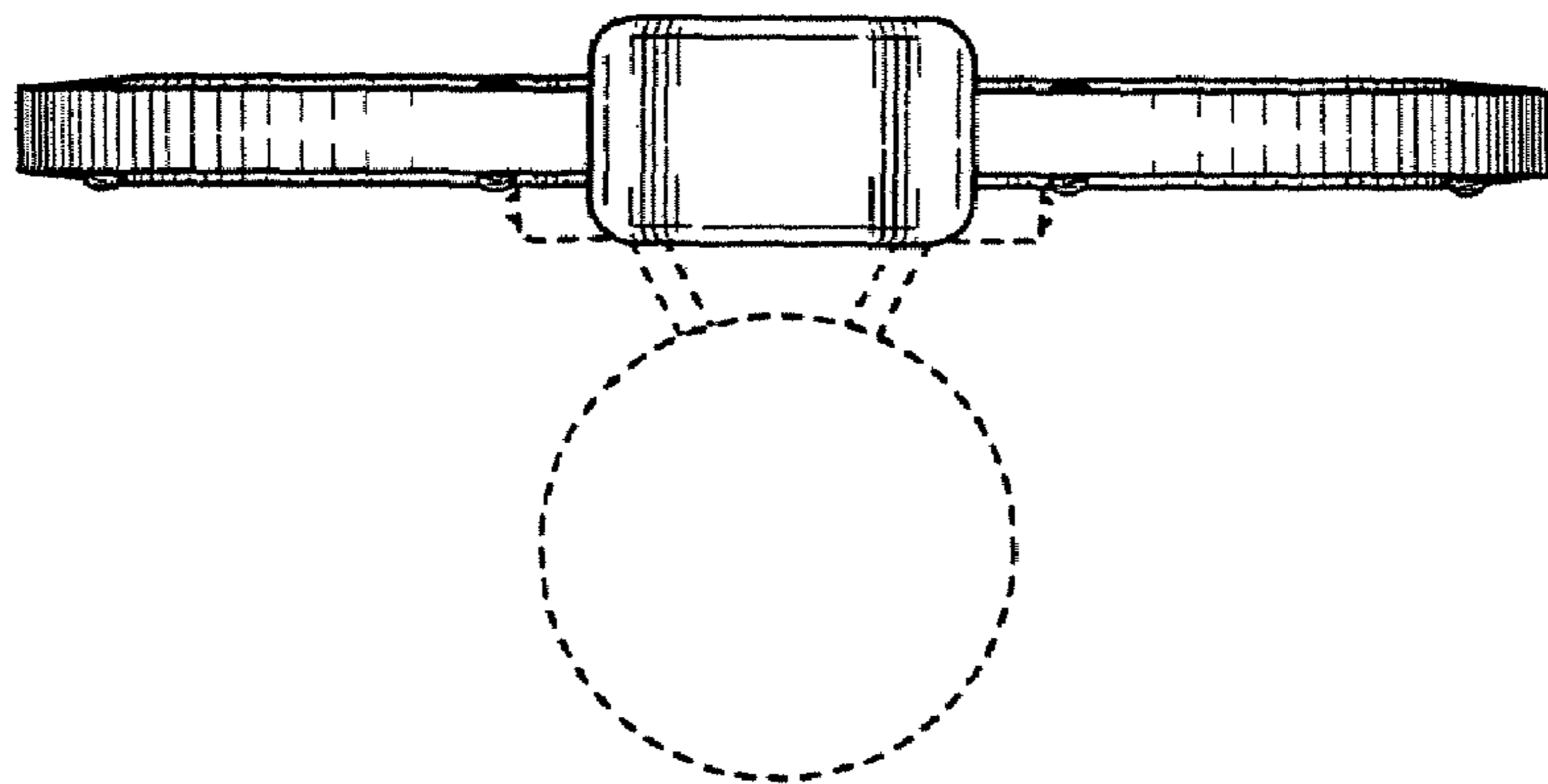


FIG 12