



US00D578576S

(12) **United States Design Patent**
Montanari et al.

(10) **Patent No.:** **US D578,576 S**
(45) **Date of Patent:** **** Oct. 14, 2008**

(54) **GAME PIECE HOLDER**

(75) Inventors: **Raphael Montanari**, Rotonda West, FL (US); **Pio R. Colageo**, Rotonda West, FL (US)

(73) Assignee: **Qudo Game Company, Inc.**, Rotonda West, FL (US)

(**) Term: **14 Years**

(21) Appl. No.: **29/282,204**

(22) Filed: **Jul. 13, 2007**

(51) **LOC (8) Cl.** **21-01**

(52) **U.S. Cl.** **D21/392**

(58) **Field of Classification Search** D6/449, D6/469; D21/385-386, 392-396; D19/85; 206/445; 273/148 R, 150

See application file for complete search history.

(56) **References Cited**

U.S. PATENT DOCUMENTS

1,127,319 A 2/1915 Thompson
D146,731 S * 4/1947 Vaccarello D21/393
D165,799 S 1/1952 Stedman
3,576,174 A * 4/1971 Topel et al. 273/148 R
3,891,220 A 6/1975 Driver

D243,494 S 3/1977 Wang
4,143,765 A * 3/1979 Moss, III 206/445
5,415,277 A * 5/1995 Berntsen 206/144
5,757,876 A 5/1998 Dam et al.

* cited by examiner

Primary Examiner—Sandra Morris

(74) *Attorney, Agent, or Firm*—Gifford, Krass, Sprinkle, Anderson & Citkowski, P.C.

(57) **CLAIM**

The ornamental design for a game piece holder, as shown.

DESCRIPTION

FIG. 1 is a perspective view of the game piece holder of our design as viewed from the top;

FIG. 2 is a perspective view of the game piece holder of our design as viewed from the bottom;

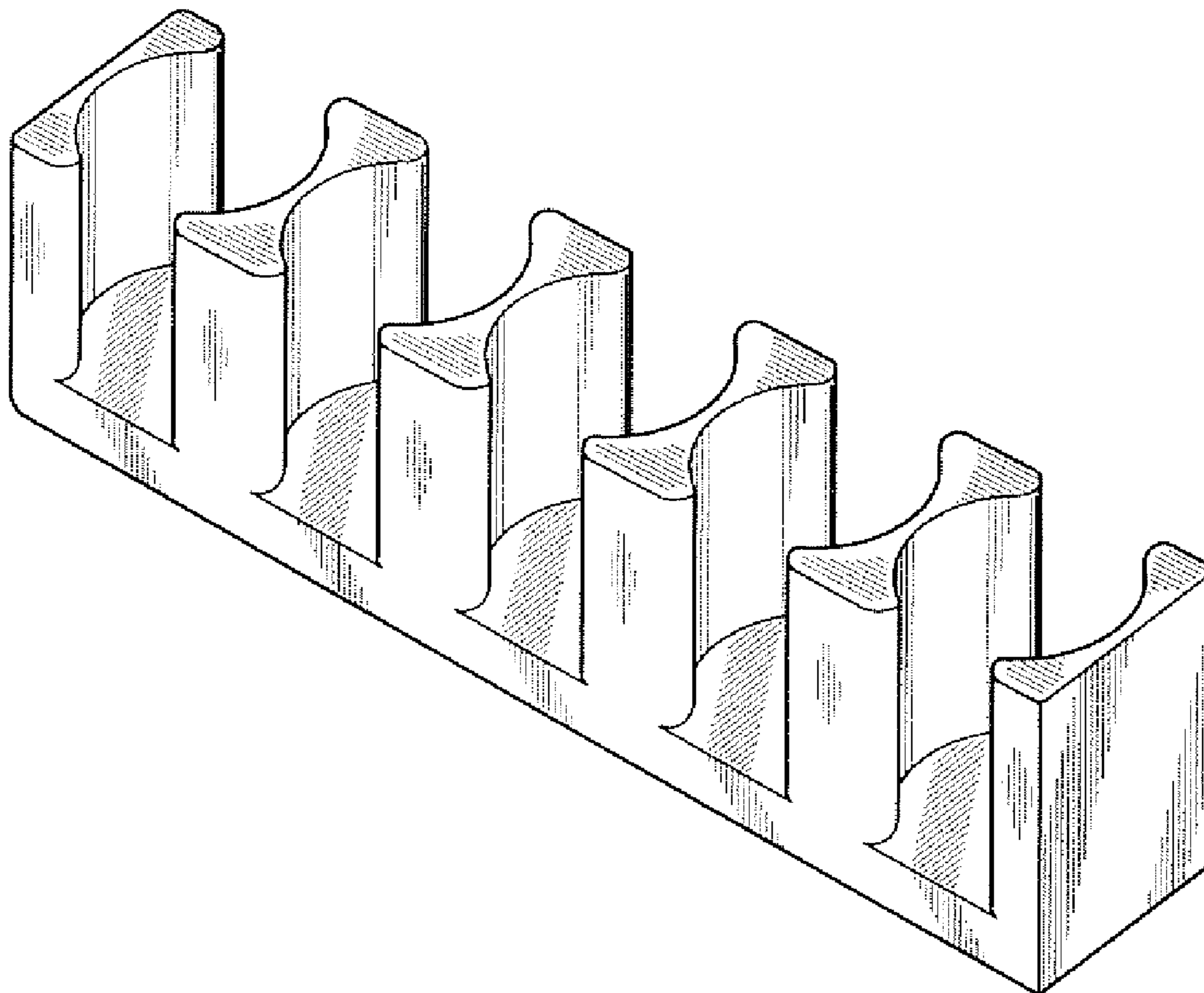
FIG. 3 is a top elevational view of the game piece holder of our design;

FIG. 4 is a side elevational view of the game piece holder of our design;

FIG. 5 is a bottom elevational view of the game piece holder of our design; and,

FIG. 6 is an end view of the game piece holder of our design.

1 Claim, 2 Drawing Sheets



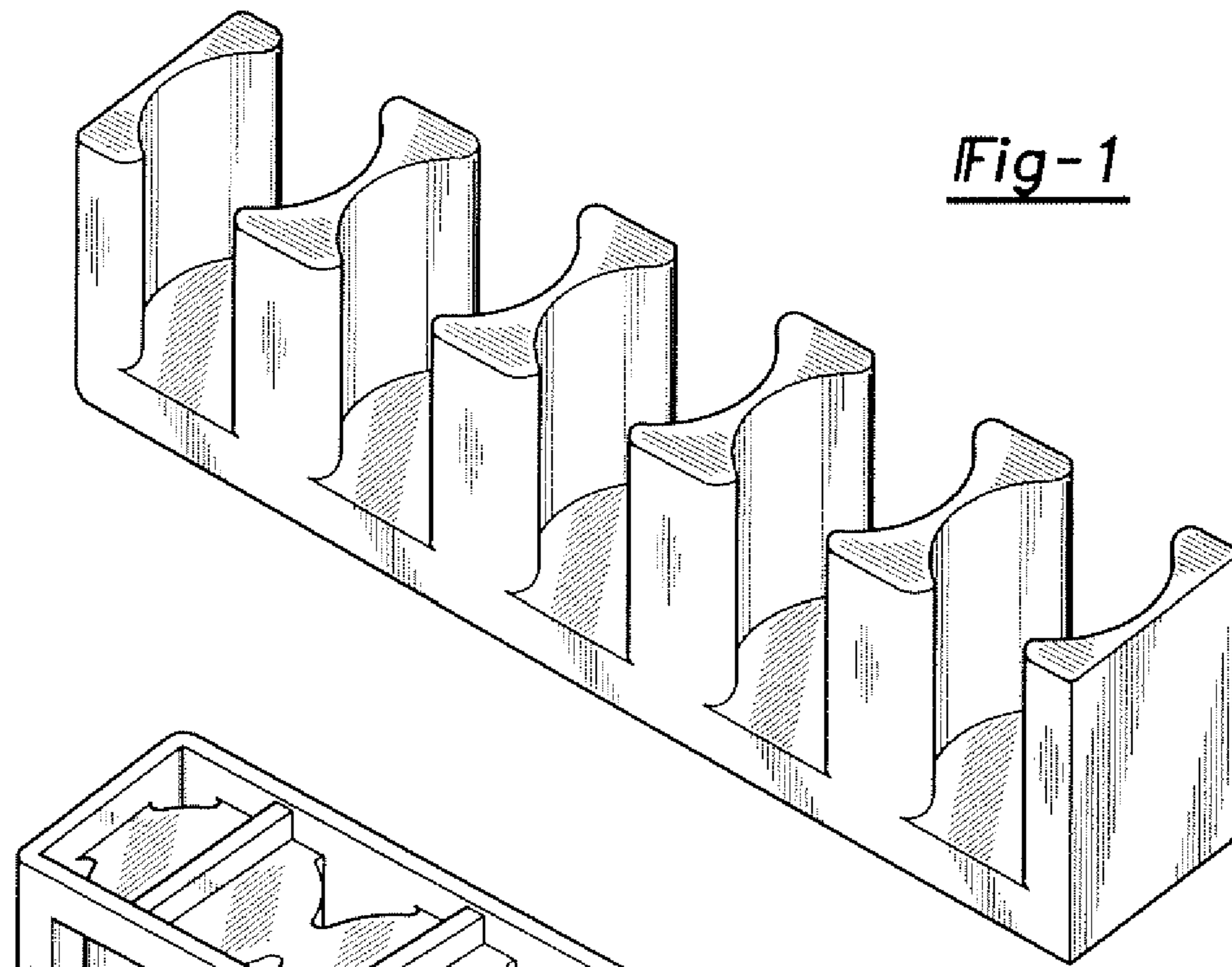


Fig-1

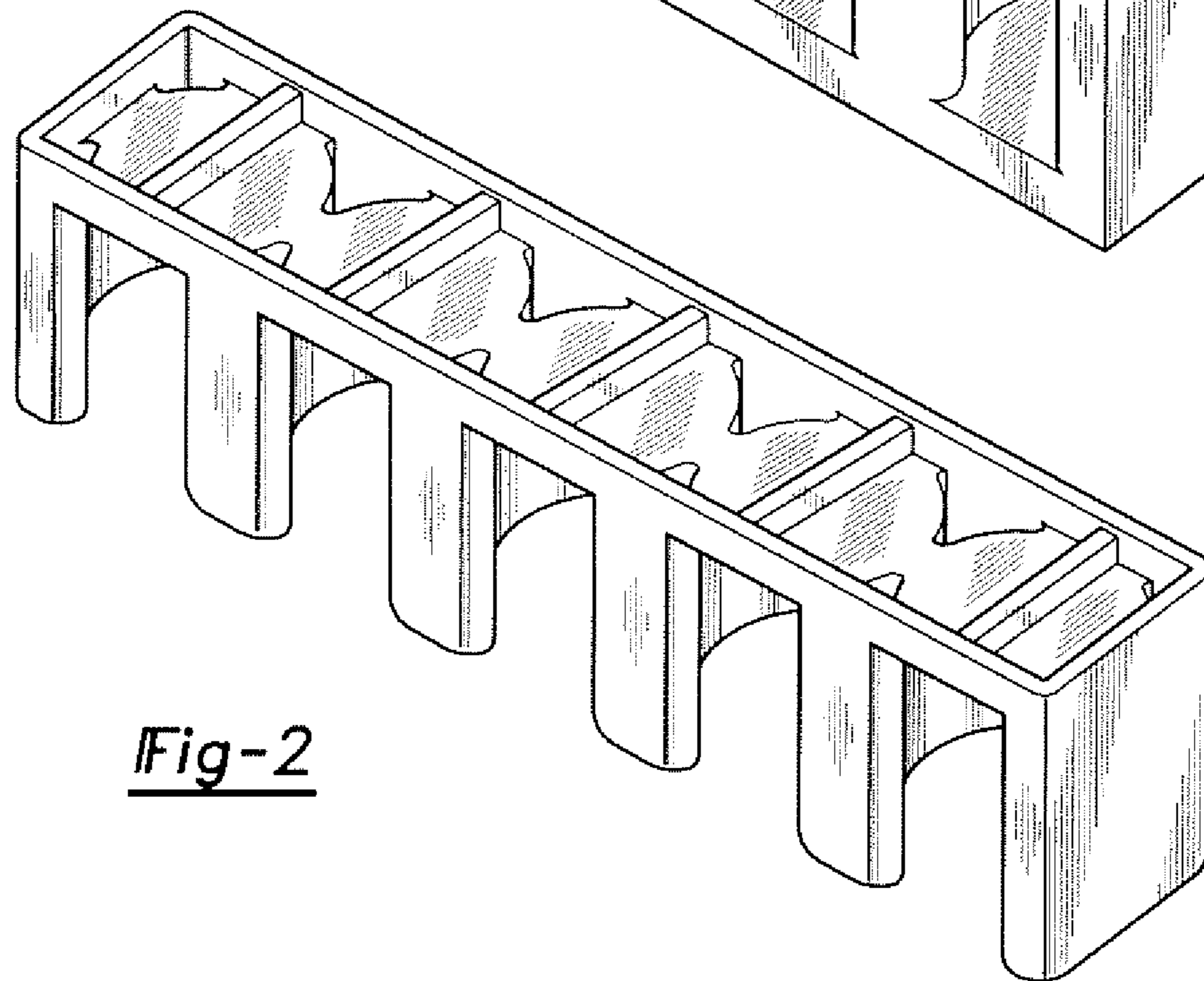


Fig-2

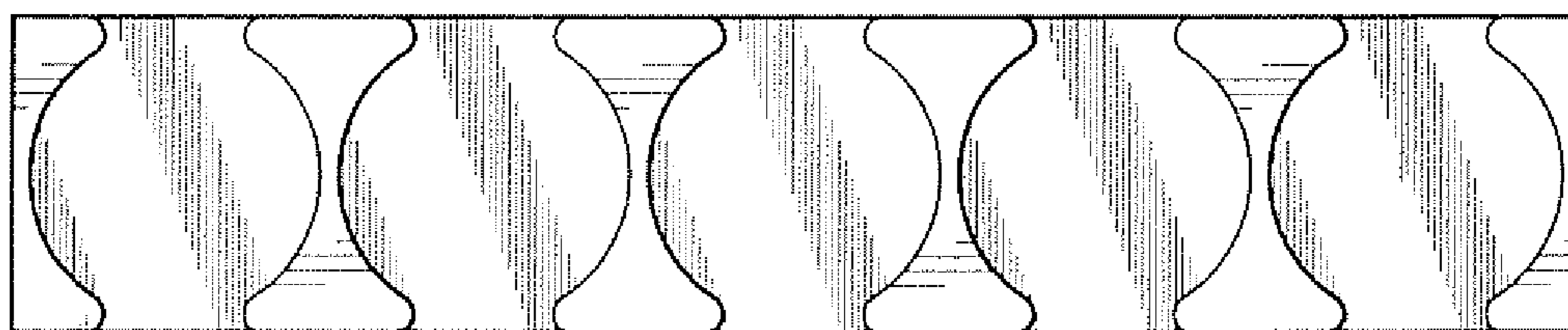


Fig-3

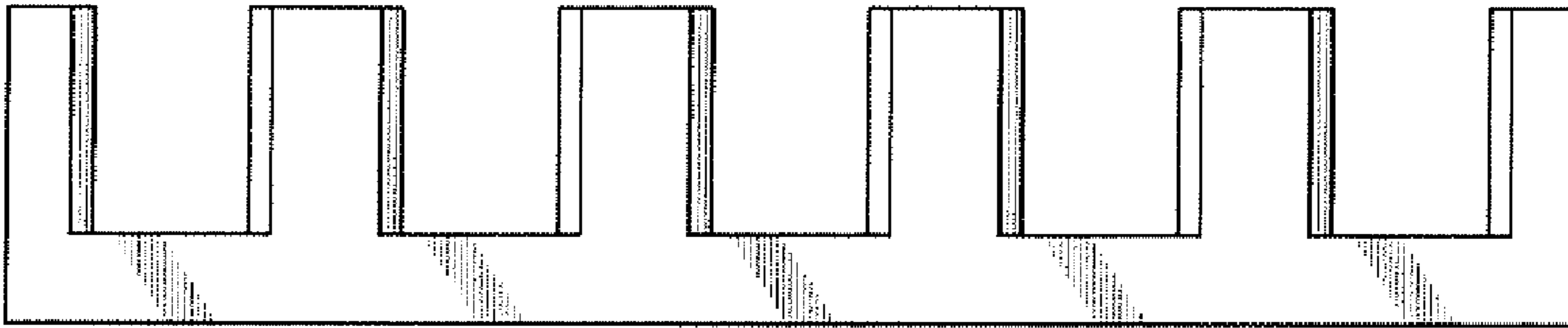


Fig-4

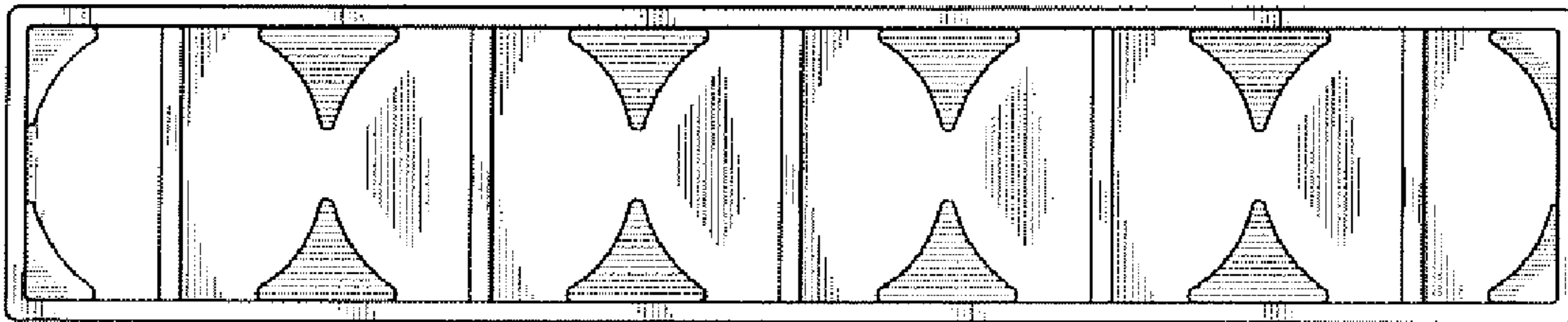


Fig-5



Fig-6