



US00D578574S

(12) **United States Design Patent**  
**Lundgren**

(10) **Patent No.:** **US D578,574 S**

(45) **Date of Patent:** **\*\* Oct. 14, 2008**

(54) **DISPLAY EQUIPMENT WITH ROLLER**

D557,344 S \* 12/2007 Johnson ..... D20/41  
7,337,567 B2 \* 3/2008 Fritsche et al. .... 40/603

(75) Inventor: **Andreas Lundgren**, Stockholm (SE)

\* cited by examiner

(73) Assignee: **Expolinc Solna AB**, Solna (SE)

*Primary Examiner*—Robert M. Spear  
*Assistant Examiner*—Susan E Krakower

(\*\*) Term: **14 Years**

(74) *Attorney, Agent, or Firm*—Gottlieb, Rackman & Reisman P.C.

(21) Appl. No.: **29/293,640**

(22) Filed: **Dec. 5, 2007**

(57) **CLAIM**

(51) **LOC (8) Cl.** ..... **20-02**

The ornamental design for display equipment with roller, as shown and described.

(52) **U.S. Cl.** ..... **D20/99**

(58) **Field of Classification Search** ..... D19/62-64,  
D19/84, 86, 89, 90; D20/21, 37, 39, 41-43,  
D20/99; D23/372, 328, 385; 40/604, 606.13,  
40/606.18, 606.05, 607.11, 610, 611.05;  
D16/241; 160/24; 248/449

**DESCRIPTION**

See application file for complete search history.

FIG. 1 is a top perspective view of the display equipment with roller, showing my new design;

FIG. 2 is top plan view thereof;

FIG. 3 is a left side elevational view thereof;

FIG. 4 is a right side elevational view thereof;

FIG. 5 is a front elevational view thereof;

FIG. 6 is a rear elevational view thereof;

FIG. 7 is a bottom plan view thereof; and,

FIG. 8 is a bottom perspective view thereof.

The broken lines illustrate environmental structure of the display equipment with roller, which forms no part of the claimed design.

(56) **References Cited**

U.S. PATENT DOCUMENTS

D266,108	S	*	9/1982	Acero et al.	.....	D23/371
4,793,083	A	*	12/1988	McDonald	.....	40/606.13
D323,338	S	*	1/1992	Court	.....	D16/241
D344,292	S	*	2/1994	Dinan et al.	.....	D20/41
D392,686	S	*	3/1998	Sarkisian et al.	.....	D20/41
D468,362	S	*	1/2003	Zarelius	.....	D20/99
6,643,966	B2	*	11/2003	Schmitt	.....	40/610
D490,835	S	*	6/2004	Kotera	.....	D16/241
D520,046	S	*	5/2006	Miyagawa et al.	.....	D16/241
D552,181	S	*	10/2007	Spennare	.....	D20/41

**1 Claim, 5 Drawing Sheets**

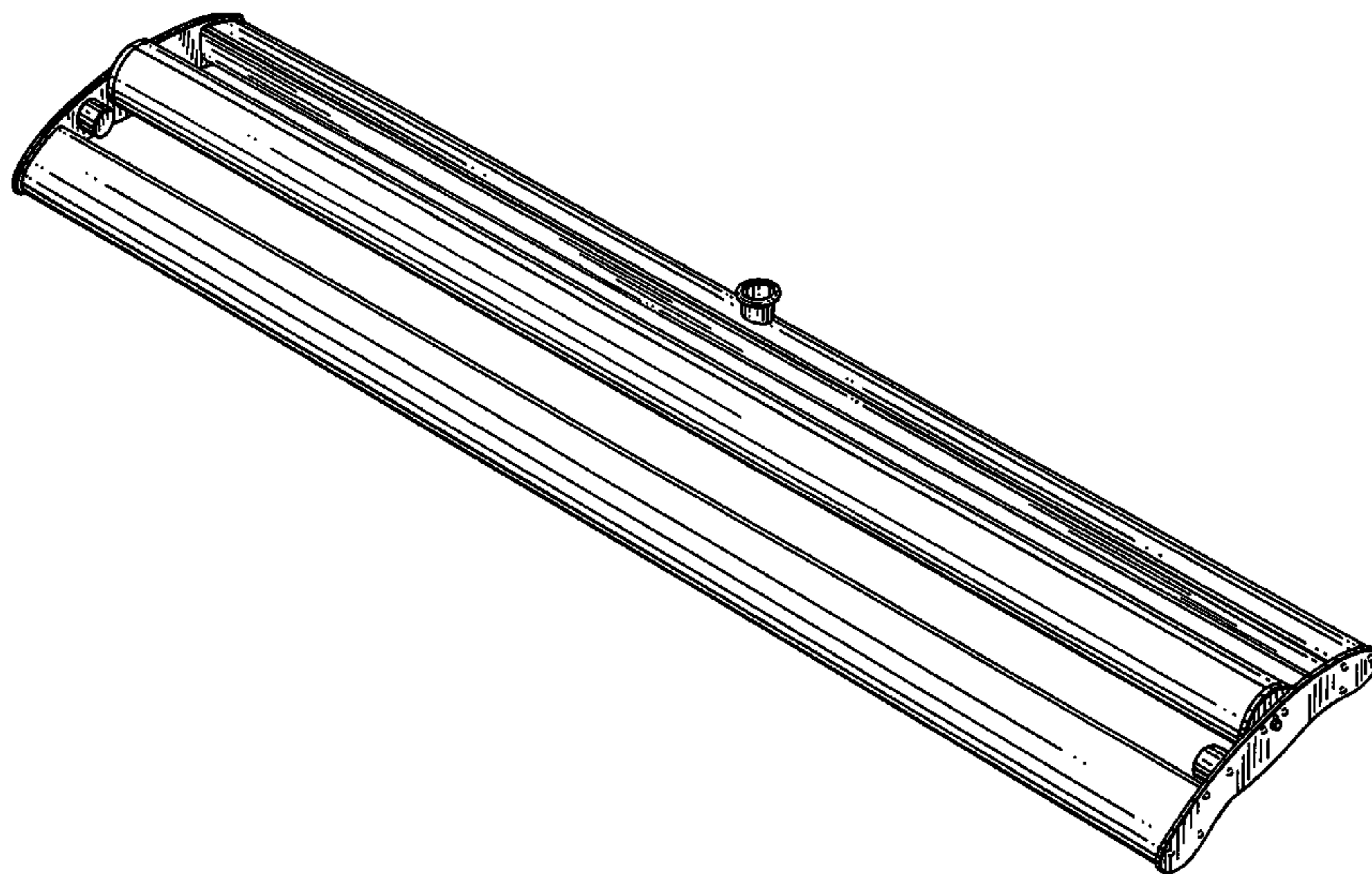
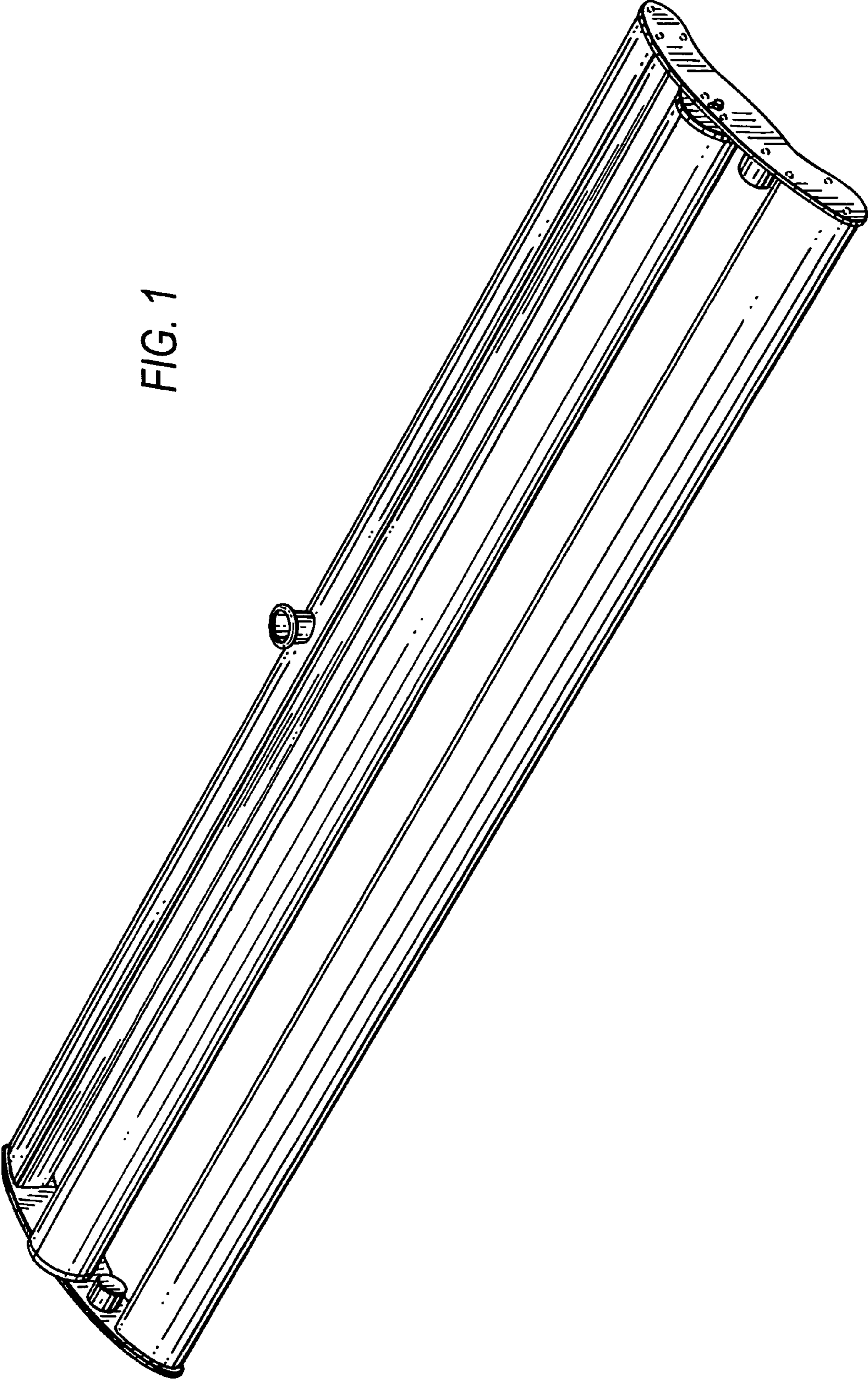


FIG. 1



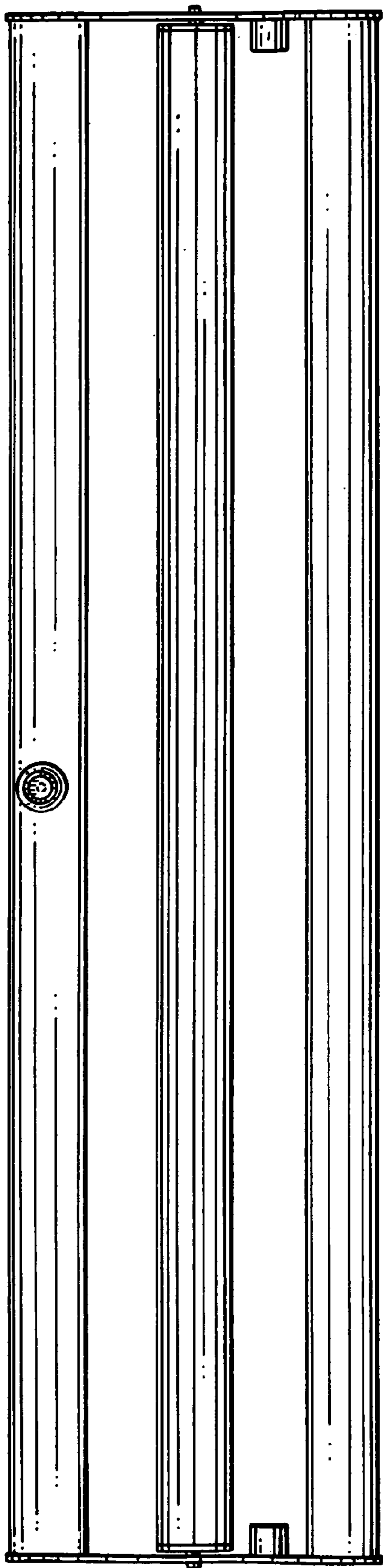
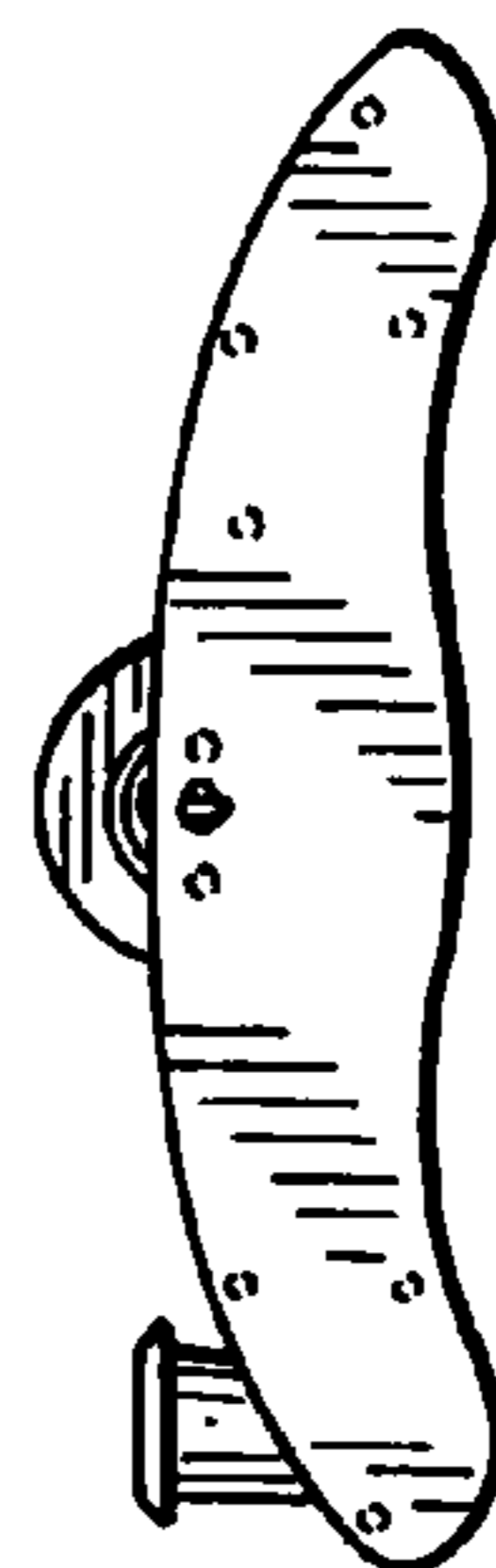


FIG. 2

FIG. 3



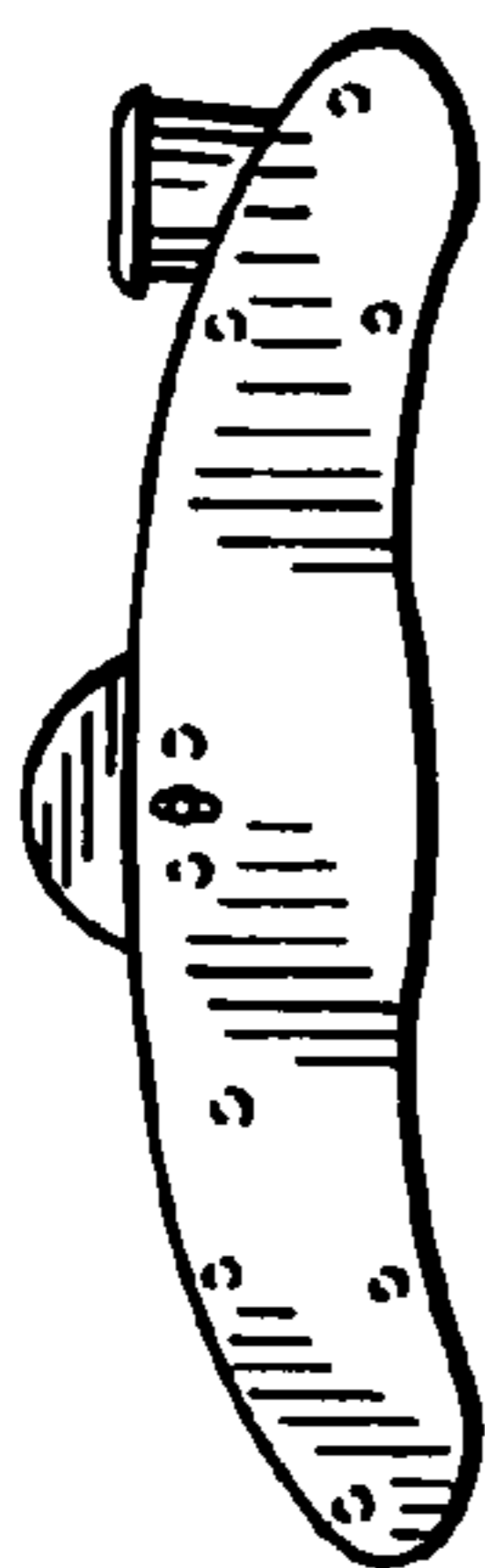


FIG. 4

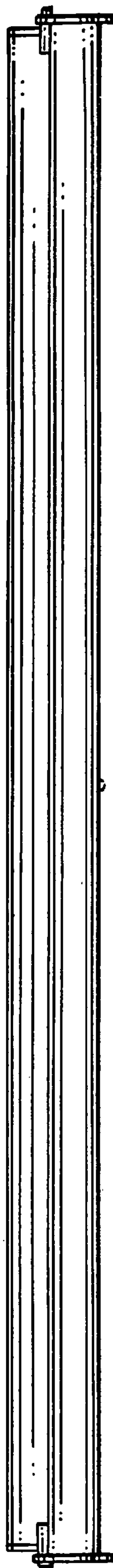


FIG. 5

FIG. 6

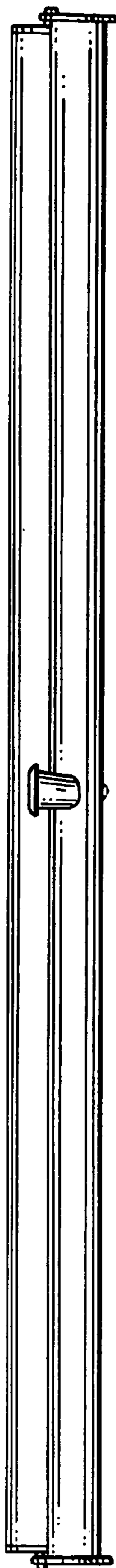


FIG. 7

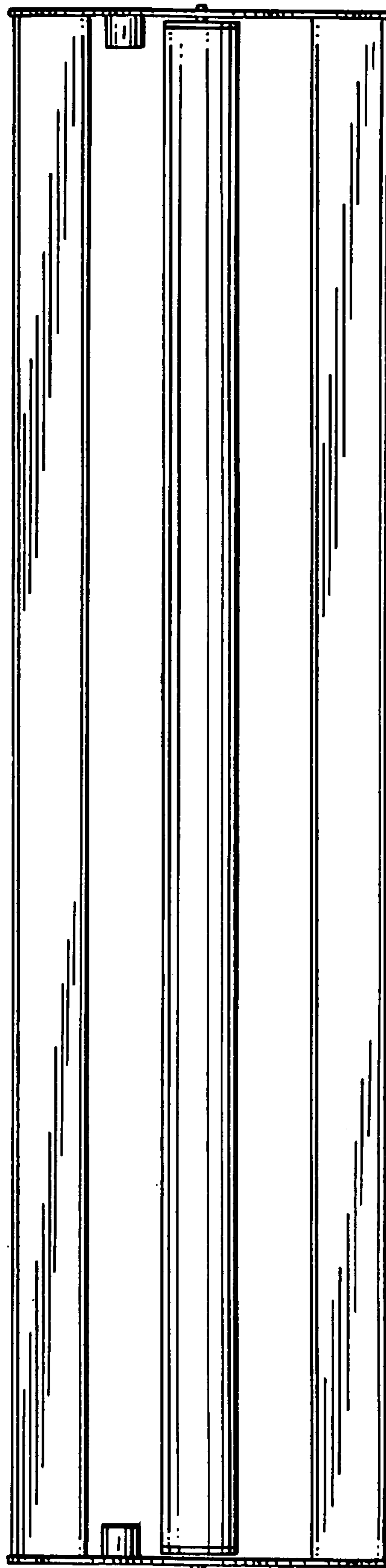


FIG. 8

