



US00D578573S

(12) **United States Design Patent**
Bhavnani et al.

(10) **Patent No.:** **US D578,573 S**
(45) **Date of Patent:** **** Oct. 14, 2008**

(54) **PEN**

(75) Inventors: **Dilip Bhavnani**, Beverly Hills, CA (US);
Todd Zimmermann, Moorestown, NJ
(US)

(73) Assignee: **Sun Most, LLC**, Commerce, CA (US)

(**) Term: **14 Years**

(21) Appl. No.: **29/277,438**

(22) Filed: **Feb. 26, 2007**

Related U.S. Application Data

(63) Continuation-in-part of application No. 29/277,437,
filed on Feb. 26, 2007.

(51) **LOC (8) Cl.** **19-06**

(52) **U.S. Cl.** **D19/54**

(58) **Field of Classification Search** D19/41-51,
D19/53, 54, 55; 401/6-7, 88, 99, 100, 104,
401/109, 209

See application file for complete search history.

(56) **References Cited**

U.S. PATENT DOCUMENTS

D441,018 S *	4/2001	Droege	D19/51
D456,845 S *	5/2002	Rommel	D19/49
D485,574 S *	1/2004	Keil	D19/50
D485,575 S *	1/2004	Lovell	D19/51
D518,102 S *	3/2006	Lovell	D19/51

D532,453 S *	11/2006	Tatic	D19/50
D539,348 S *	3/2007	Hamilton et al.	D19/50
D541,343 S *	4/2007	Losel	D19/50
D568,393 S *	5/2008	Bhavnani	D19/51

OTHER PUBLICATIONS

“German Copyright Registration M9608663.7 Sep. 12, 1996”.

* cited by examiner

Primary Examiner—Elizabeth A. Albert

Assistant Examiner—Kelley A Donnelly

(74) *Attorney, Agent, or Firm*—The Soni Law Firm

(57) **CLAIM**

The ornamental design for a pen, as shown and described.

DESCRIPTION

FIG. 1 is a front bottom side perspective view of the pen showing my new design;

FIG. 2 is a front elevational view thereof;

FIG. 3 is a right side elevational view thereof;

FIG. 4 is a left side elevational view thereof;

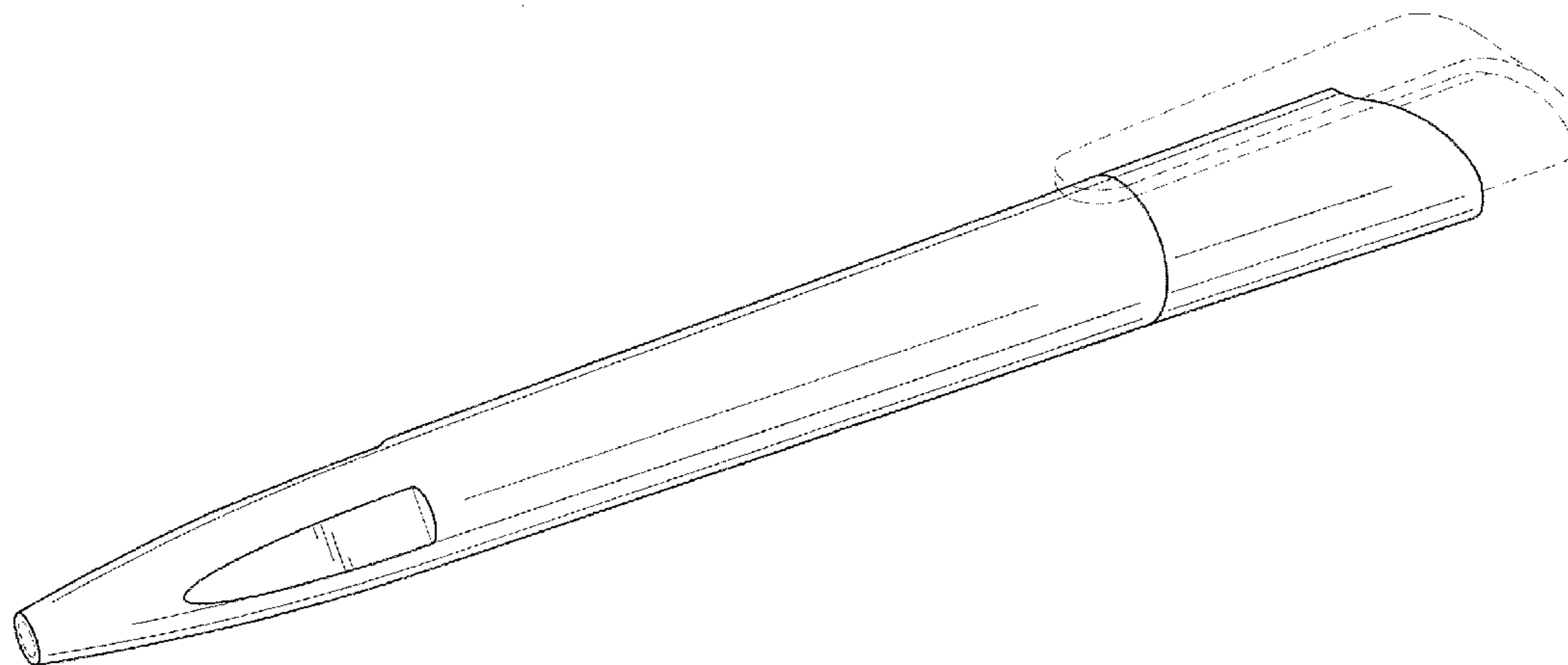
FIG. 5 is a back elevational view thereof;

FIG. 6 is a bottom plan view thereof; and,

FIG. 7 is a top plan view thereof.

The broken lines depicting environmental structure are for illustrative purposes only and form no part of the claimed design.

1 Claim, 2 Drawing Sheets



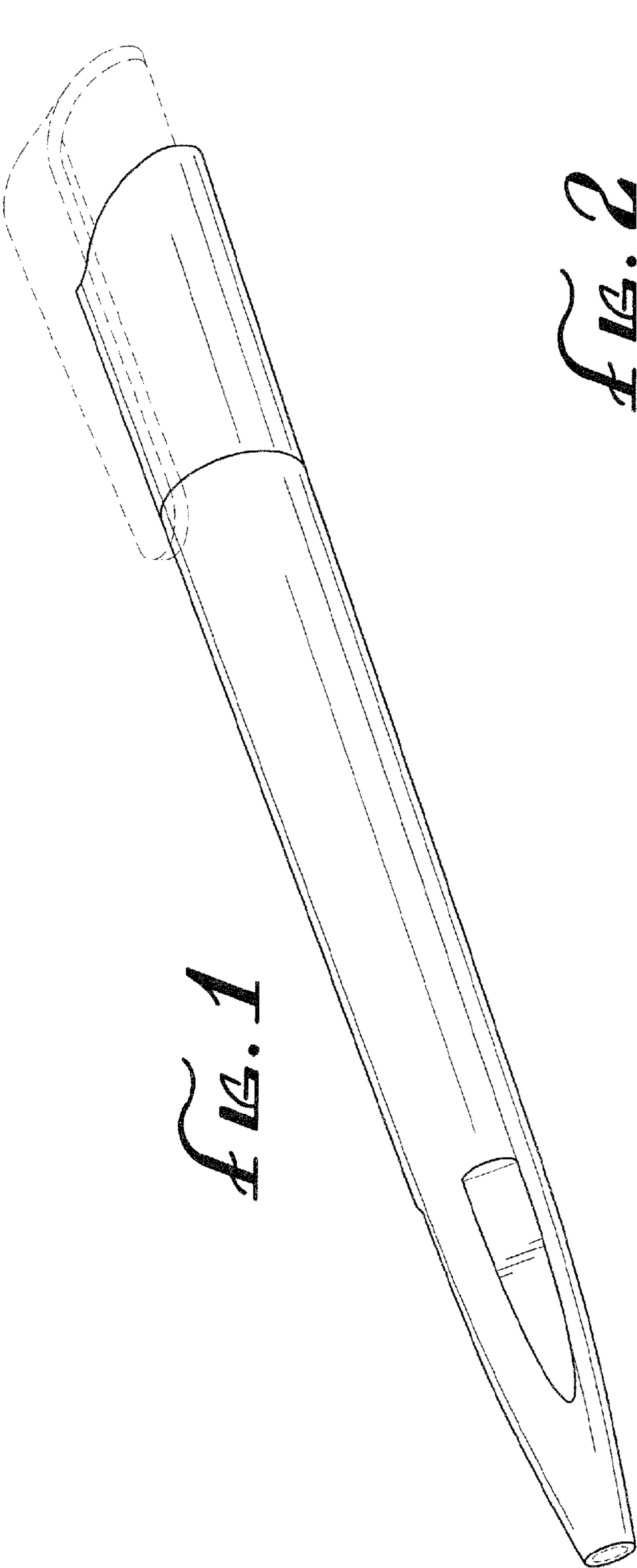


FIG. 2

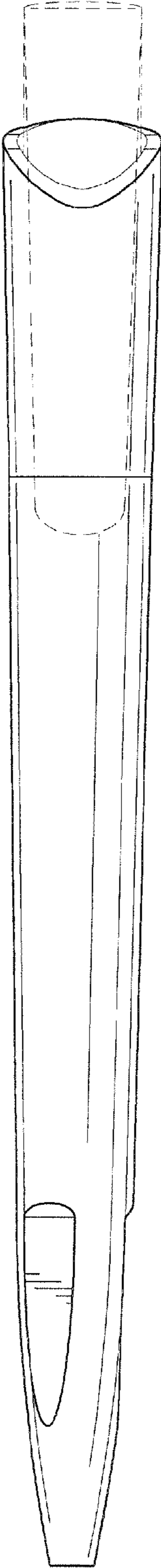
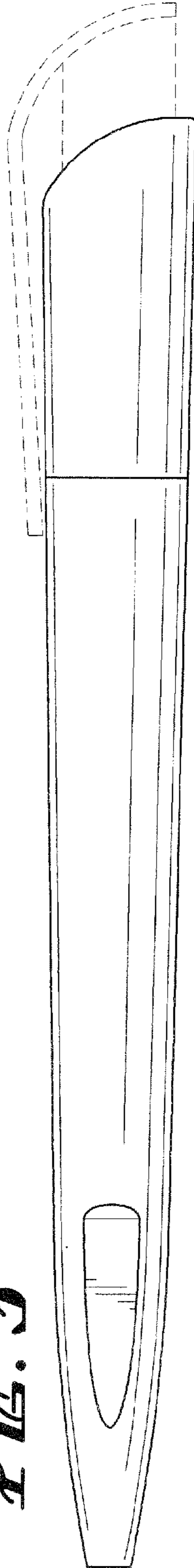


FIG. 3



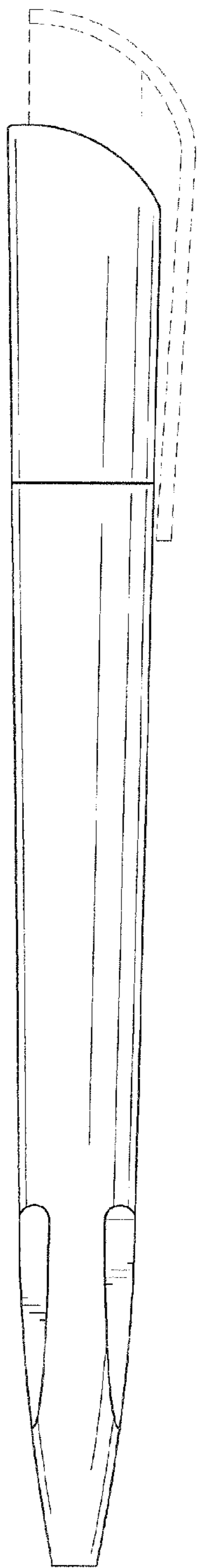


FIG. 4

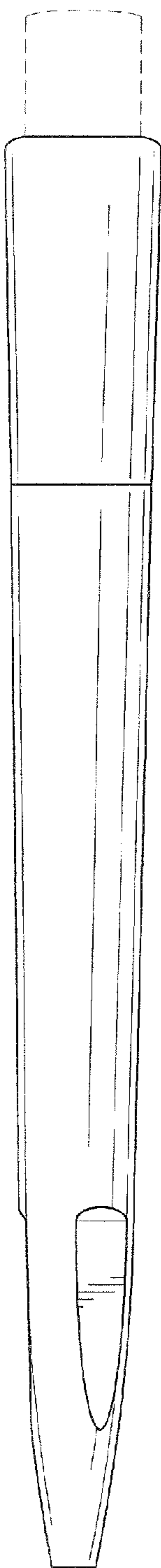


FIG. 5

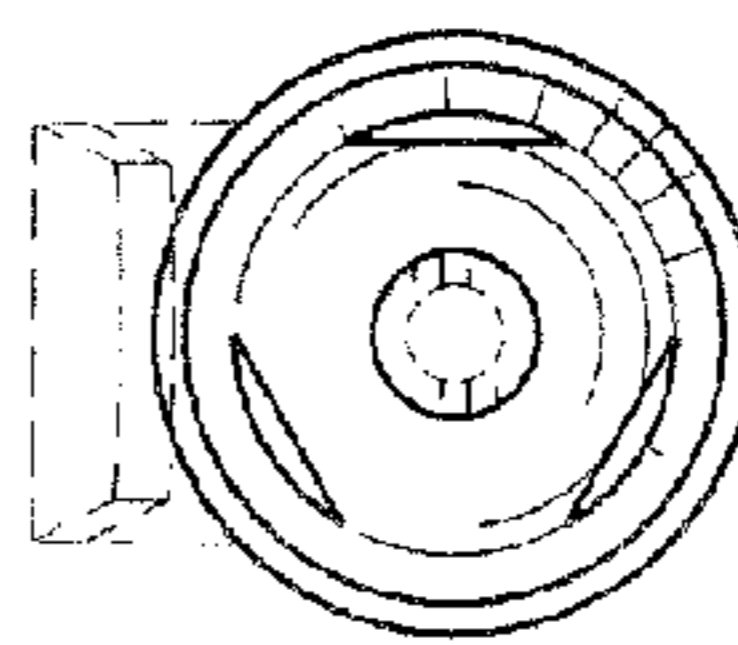


FIG. 6

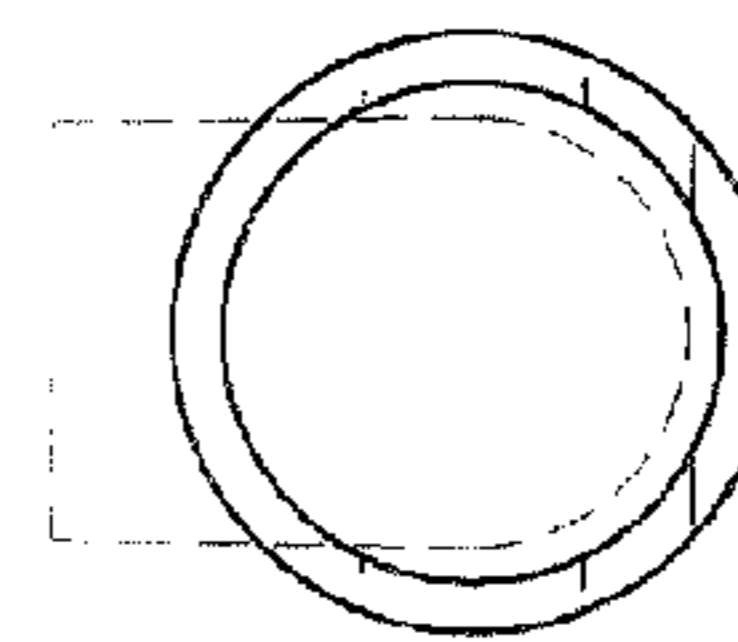


FIG. 7