



US00D578570S

(12) **United States Design Patent**
Forsline et al.

(10) **Patent No.:** **US D578,570 S**

(45) **Date of Patent:** **** Oct. 14, 2008**

(54) **PAINTING/PALETTE KNIFE**

(75) Inventors: **Ladd Forsline**, Kutztown, PA (US);
Bernadette Ward, Kutztown, PA (US)

(73) Assignee: **Colorfin, LLC**, Kutztown, PA (US)

(**) Term: **14 Years**

(21) Appl. No.: **29/273,474**

(22) Filed: **Mar. 5, 2007**

(51) **LOC (8) Cl.** **19-06**

(52) **U.S. Cl.** **D19/35**

(58) **Field of Classification Search** D19/35;
D8/98-99, 107, 300, 307, 310, 312; D7/395,
D7/653, 691, 688, 393; 30/147-150; 81/489
See application file for complete search history.

(56) **References Cited**

U.S. PATENT DOCUMENTS

D279,480	S	7/1985	Kowalski	
D304,420	S	11/1989	Alexander	
D311,307	S *	10/1990	Cautereels et al.	D7/683
D456,222	S *	4/2002	Rowe et al.	D7/683
D457,630	S *	5/2002	Lehtonen	D24/147
D468,583	S *	1/2003	Kerulis	D7/395
D482,930	S *	12/2003	Lin	D7/395
D501,627	S *	2/2005	Poupel	D7/401.2
D507,157	S *	7/2005	Youngblood	D7/642
D508,371	S *	8/2005	Campbell	D7/395
D527,944	S *	9/2006	Brooks	D7/393
D533,944	S *	12/2006	Sullivan et al.	D24/147
D547,451	S *	7/2007	Asfora	D24/146
D550,417	S *	9/2007	Froeschl	D32/49
D564,833	S *	3/2008	de Bretton Gordon	D7/401.2
2007/0061992	A1 *	3/2007	Plyler	15/245.1

OTHER PUBLICATIONS

Jakar Palette Knife Plastic Tr, Jakar Palette Knife Plastic St, <http://fredaldous.co.uk>.

* cited by examiner

Primary Examiner—Elizabeth A. Albert

Assistant Examiner—Kelley A Donnelly

(74) *Attorney, Agent, or Firm*—Patterson, Thunte, Skaar & Christensen, P.A.

(57) **CLAIM**

We claim the ornamental design for a painting/palette knife, as shown and described.

DESCRIPTION

FIG. 1 is a front perspective view of a painting/palette knife, according to an embodiment of the invention;

FIG. 2 is a top view of the painting/palette knife of FIG. 1;

FIG. 3 is bottom view of the painting/palette knife of FIG. 1;

FIG. 4 is a side view of the painting/palette knife of FIG. 1;

FIG. 5 is a rear view of the painting/palette knife of FIG. 1;

FIG. 6 is a front view of the painting/palette knife of FIG. 1;

FIG. 7 is a front perspective view of a painting/palette knife, according to a second embodiment of the invention;

FIG. 8 is a top view of the painting/palette knife of FIG. 7;

FIG. 9 is bottom view of the painting/palette knife of FIG. 7;

FIG. 10 is a side view of the painting/palette knife of FIG. 7;

FIG. 11 is a rear view of the painting/palette knife of FIG. 7;

FIG. 12 is a front view of the painting/palette knife of FIG. 7;

FIG. 13 is a front perspective view of a painting/palette knife, according to third embodiment of the invention;

FIG. 14 is a top view of the painting/palette knife of FIG. 13;

FIG. 15 is bottom view of the painting/palette knife of FIG. 13;

FIG. 16 is a side view of the painting/palette knife of FIG. 13;

FIG. 17 is a rear view of the painting/palette knife of FIG. 13; and,

FIG. 18 is a front view of the painting/palette knife of FIG. 13.

1 Claim, 6 Drawing Sheets

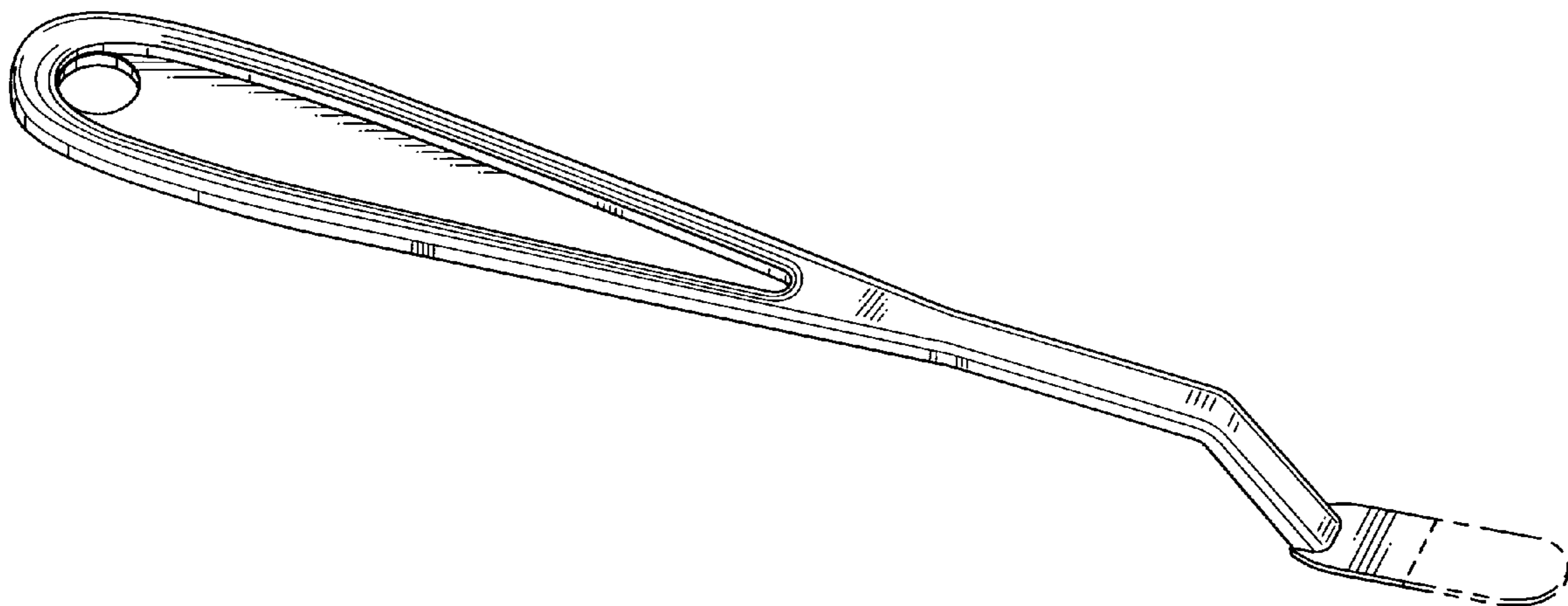


Fig. 1

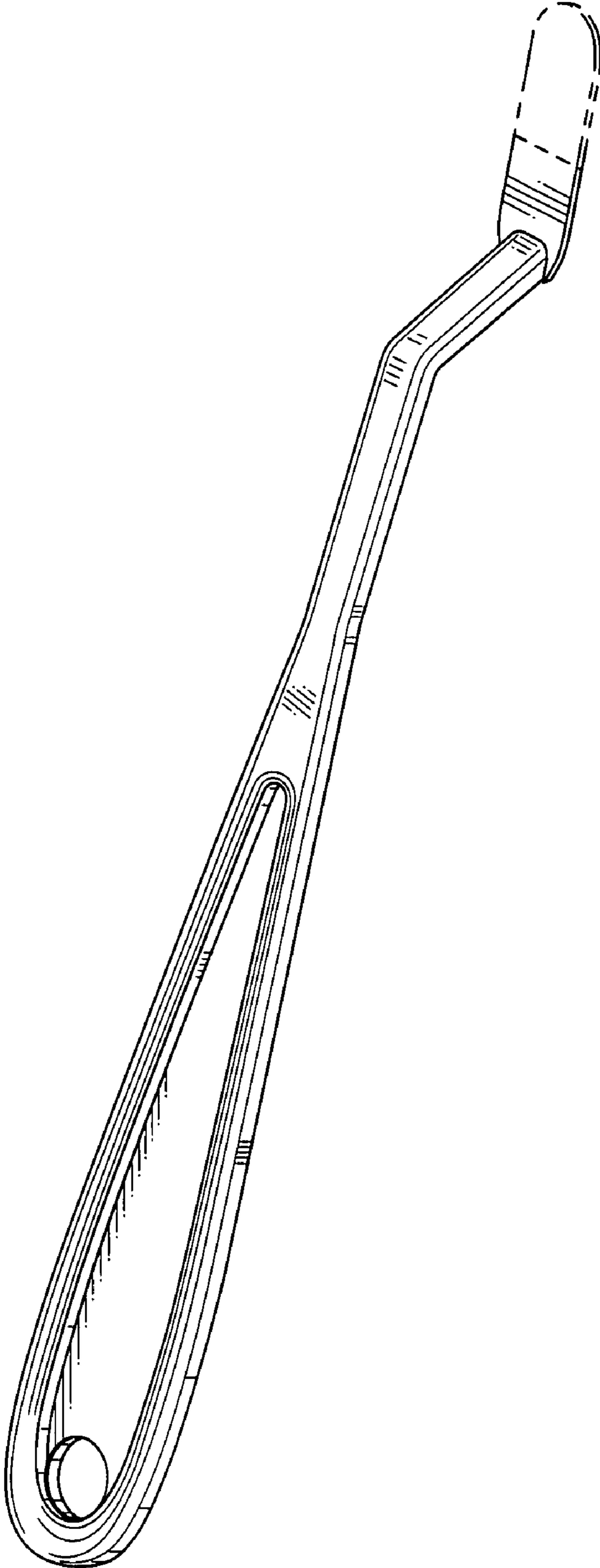


Fig. 2

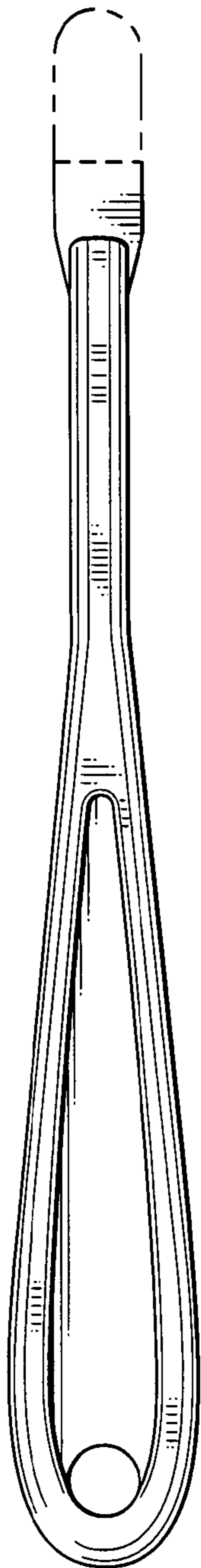


Fig. 3

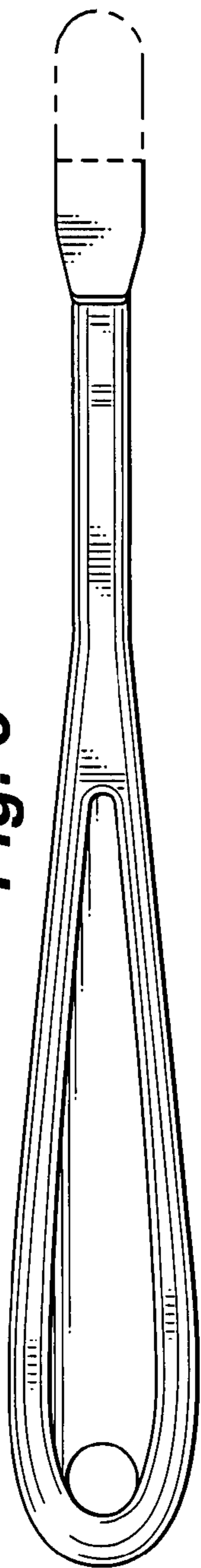


Fig. 4

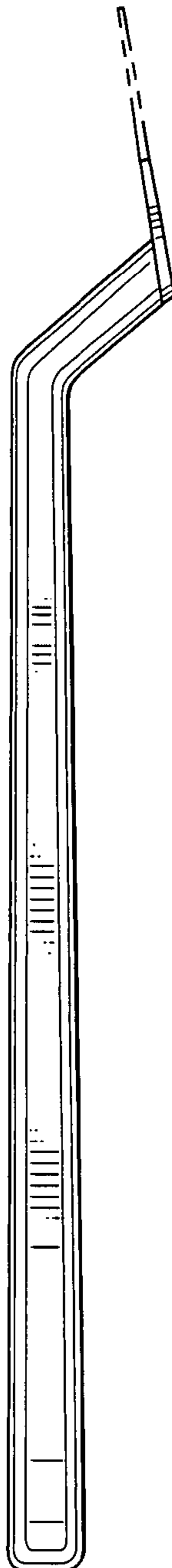


Fig. 5

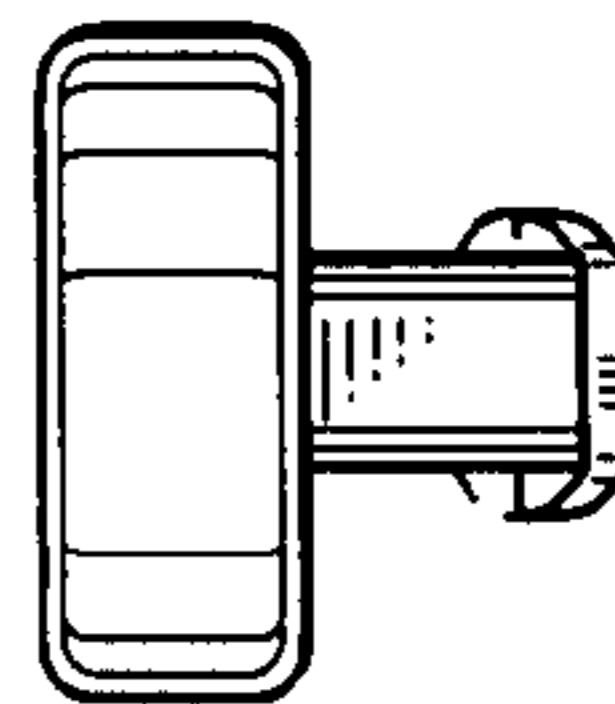
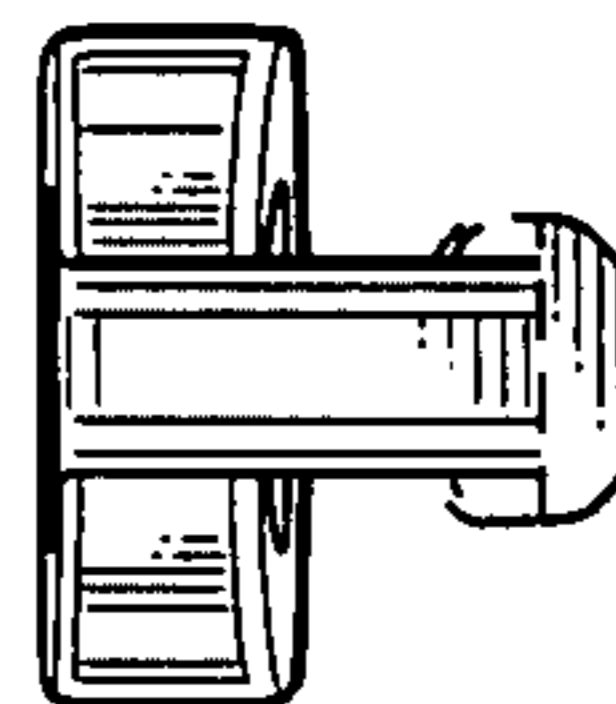


Fig. 6



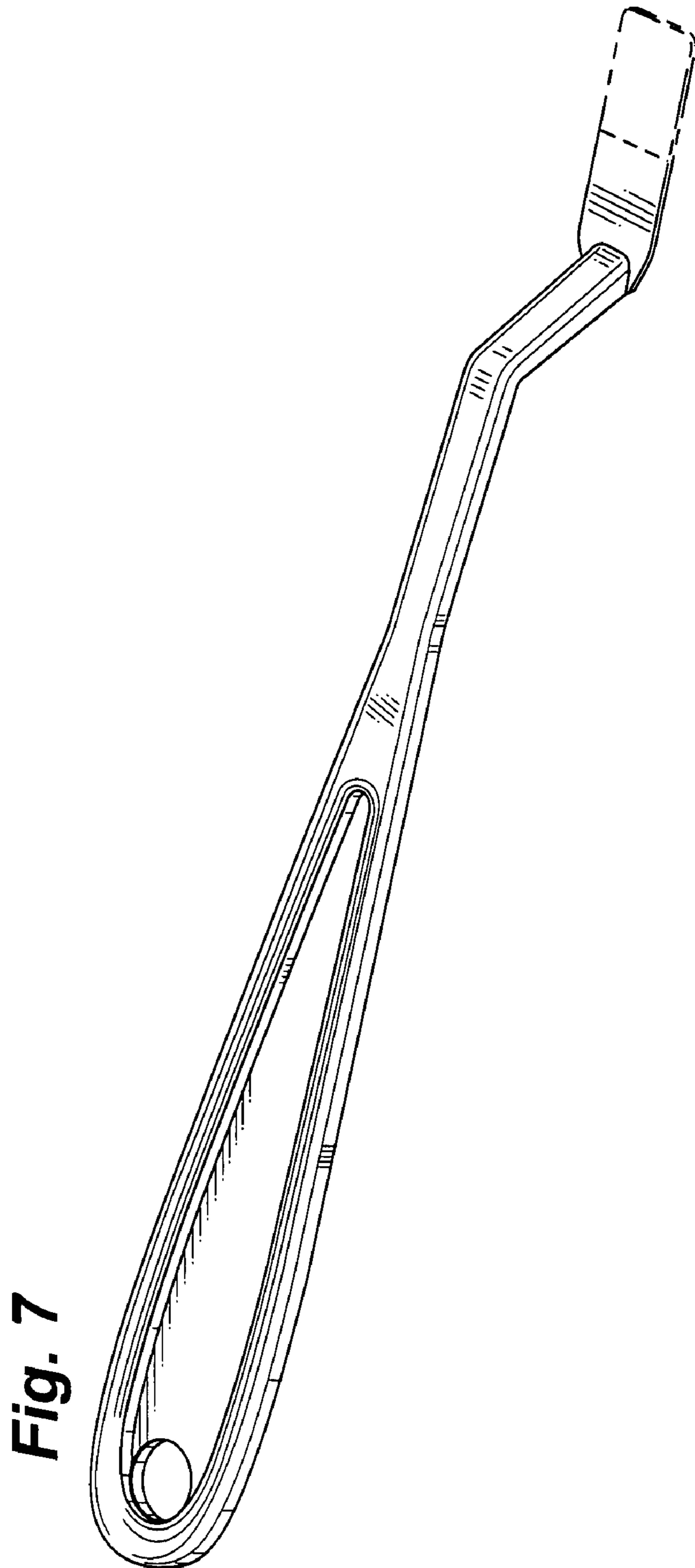


Fig. 7

Fig. 8

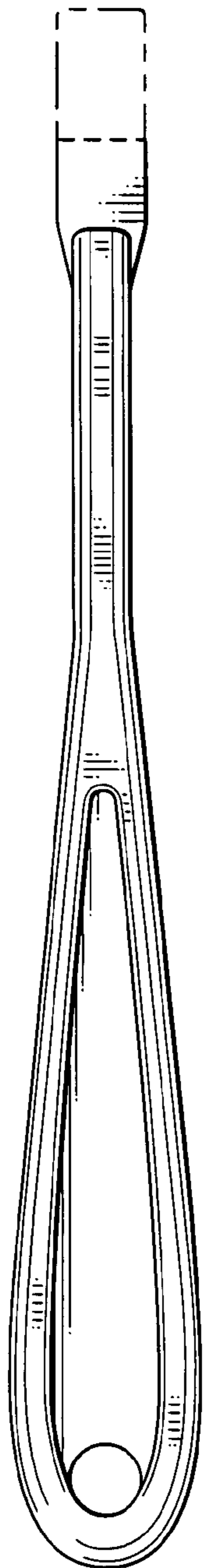


Fig. 9

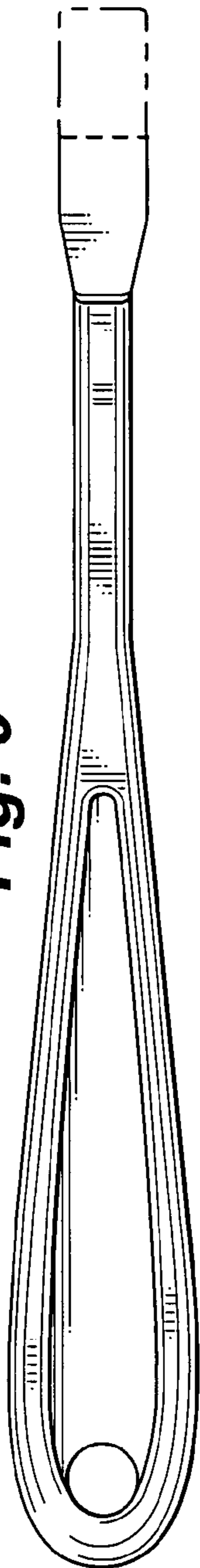


Fig. 10

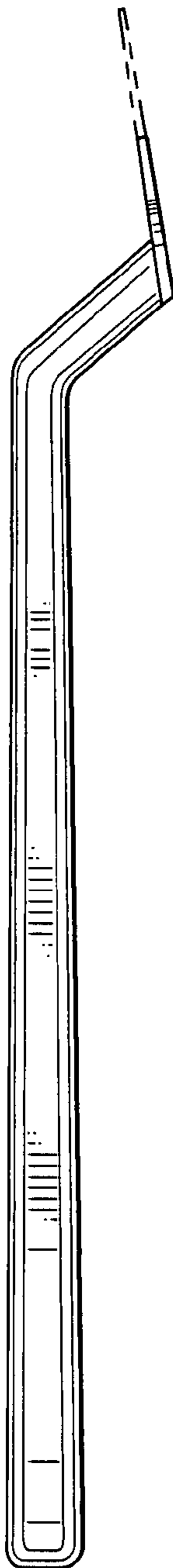


Fig. 11

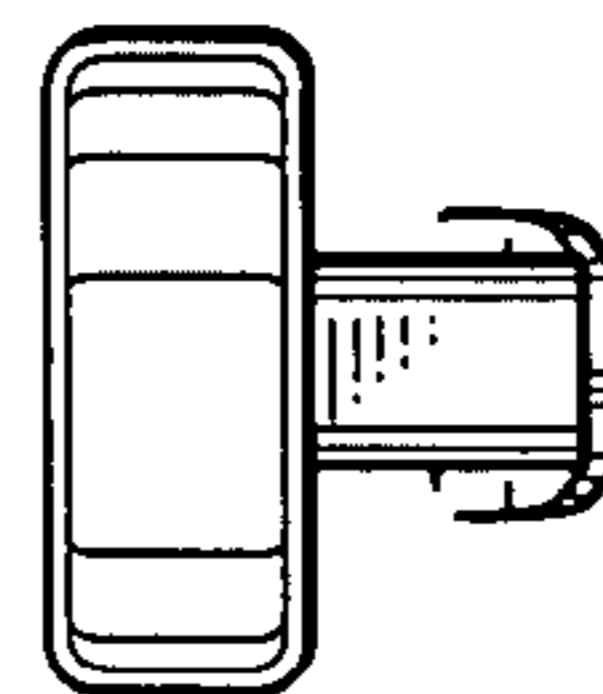


Fig. 12

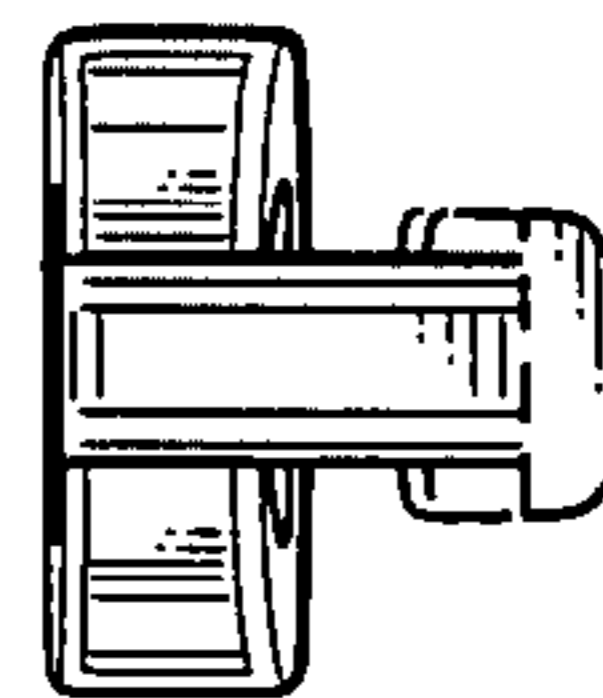


Fig. 13

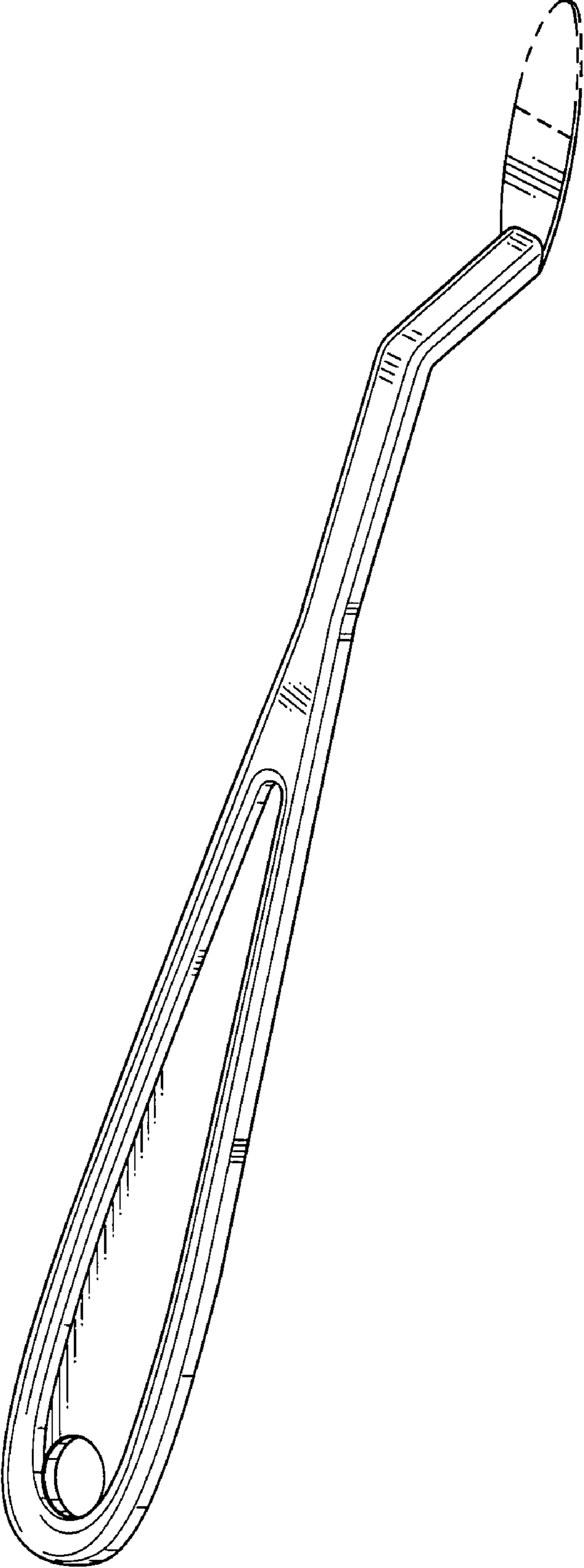


Fig. 14

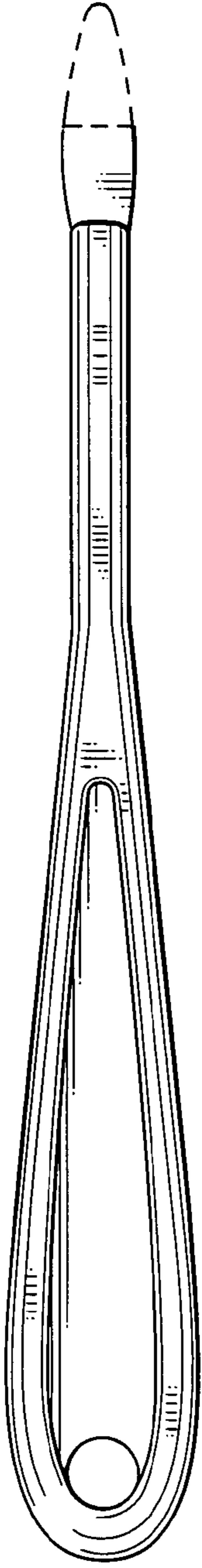


Fig. 15

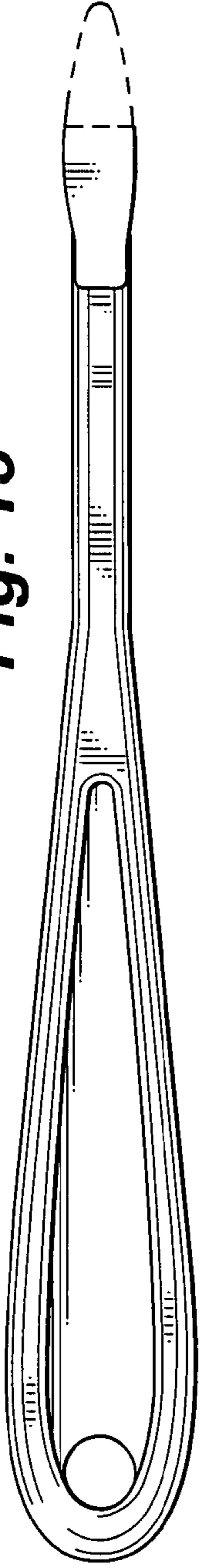


Fig. 16

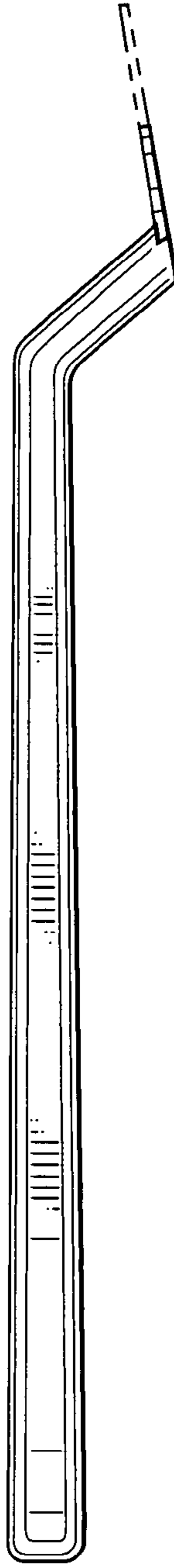


Fig. 17

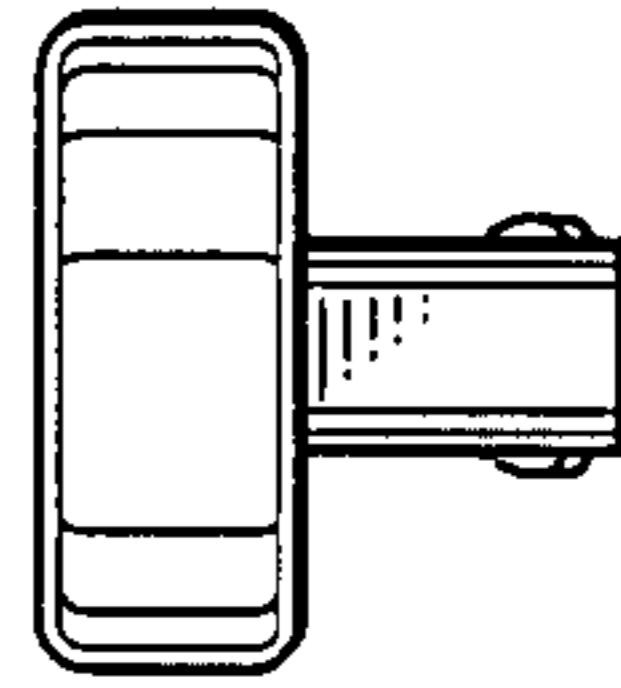


Fig. 18

