



US00D578567S

(12) **United States Design Patent**
Hattori

(10) **Patent No.:** **US D578,567 S**

(45) **Date of Patent:** **** Oct. 14, 2008**

(54) **PRINTER**

(75) Inventor: **Satoru Hattori**, Nagoya (JP)

(73) Assignee: **Brother Industries, Ltd.**, Nagoya (JP)

(**) Term: **14 Years**

(21) Appl. No.: **29/274,950**

(22) Filed: **Jun. 12, 2007**

(30) **Foreign Application Priority Data**

Dec. 27, 2006 (JP) 2006-036051

(51) **LOC (8) Cl.** **18-02**

(52) **U.S. Cl.** **D18/50**

(58) **Field of Classification Search** D18/36-39,
D18/50, 54, 54.1, 55, 14, 19; D14/420-425,
D14/462-470; 400/613, 613.1-613.4, 690.1-690.4,
400/691-694

See application file for complete search history.

(56) **References Cited**

U.S. PATENT DOCUMENTS

D295,750 S * 5/1988 Imai D14/422

D351,152 S * 10/1994 Liu D14/385

D426,238 S * 6/2000 Liu D14/420

6,612,763 B1 * 9/2003 Yoshihara 400/692

D523,071 S * 6/2006 Katayama et al. D18/50

D535,325 S * 1/2007 Yamaguchi D18/55

D544,906 S * 6/2007 Alfonso et al. D18/55

D555,652 S * 11/2007 Kitamura et al. D14/420

D555,722 S * 11/2007 Bae et al. D18/55

* cited by examiner

Primary Examiner—Cathy Anne MacCormac

(74) *Attorney, Agent, or Firm*—Oliff & Berridge, PLC

(57) **CLAIM**

The ornamental design for a printer, as shown and described.

DESCRIPTION

FIG. 1 is a front perspective view of a printer;

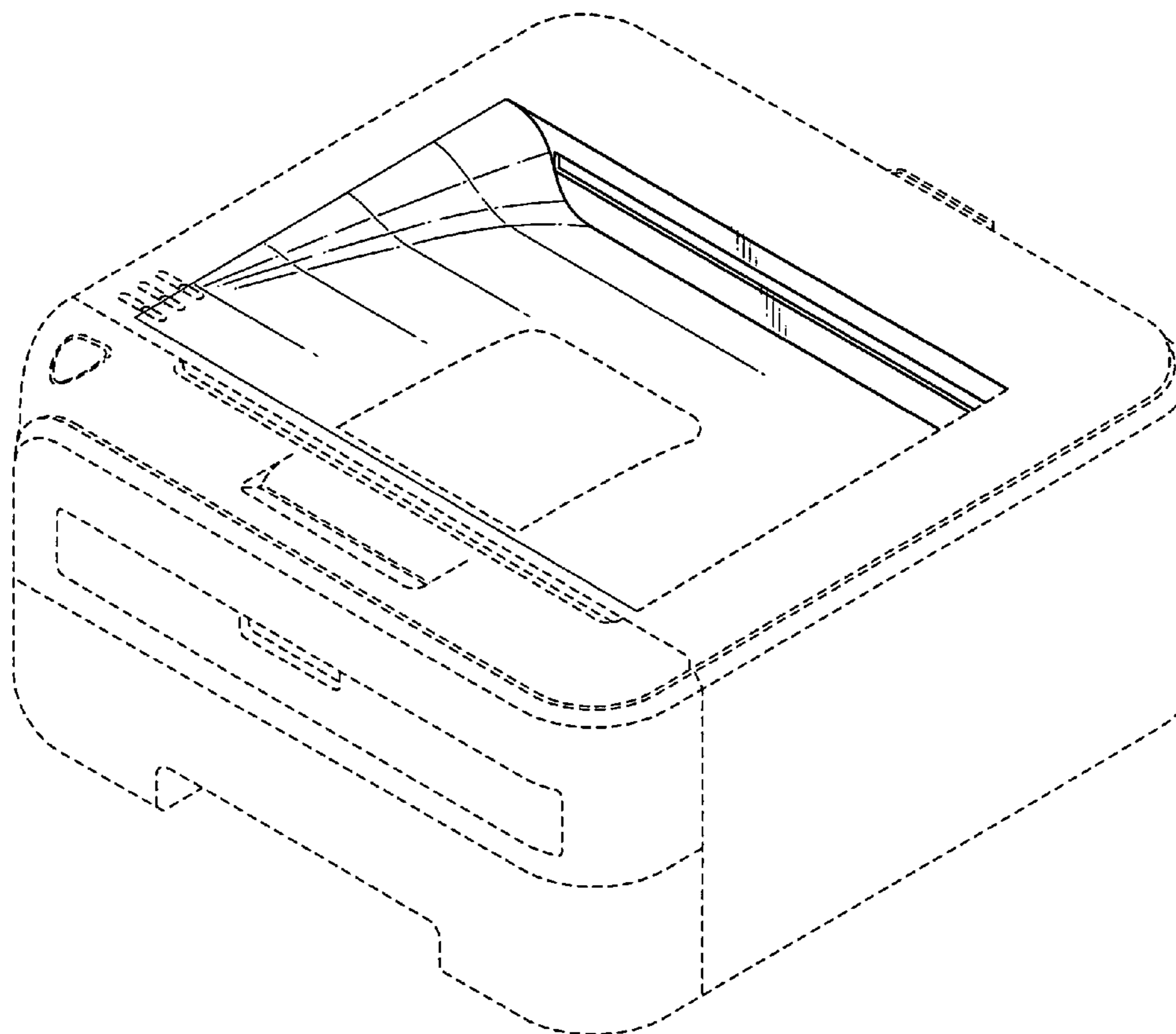
FIG. 2 is a top view thereof;

FIG. 3 is a rear perspective view thereof; and,

FIG. 4 is a cross-sectional view thereof taken along line 4—4 of FIG. 2.

The broken lines are for illustrative purposes only and form no part of the claimed design.

1 Claim, 4 Drawing Sheets



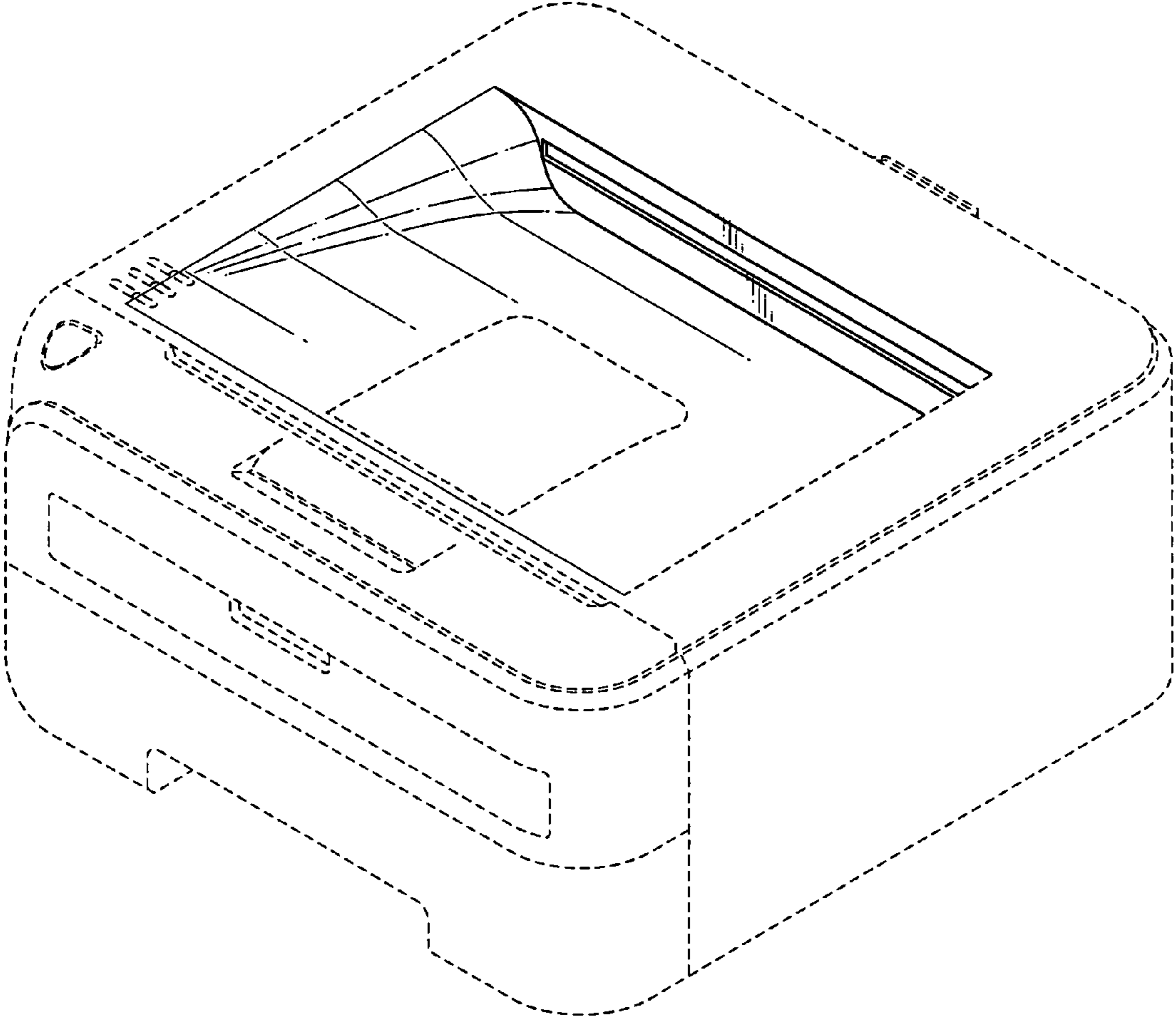


FIG. 1

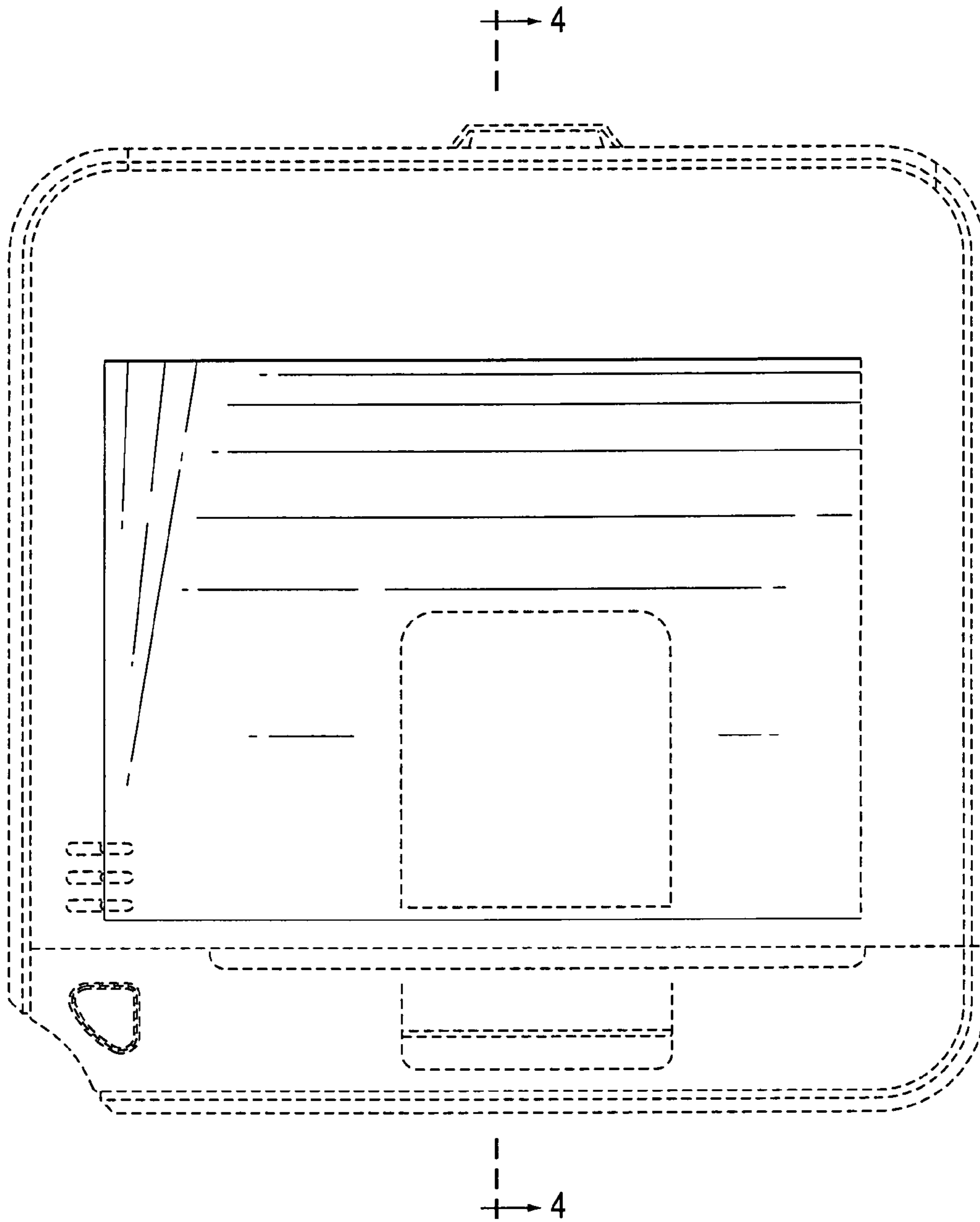


FIG. 2

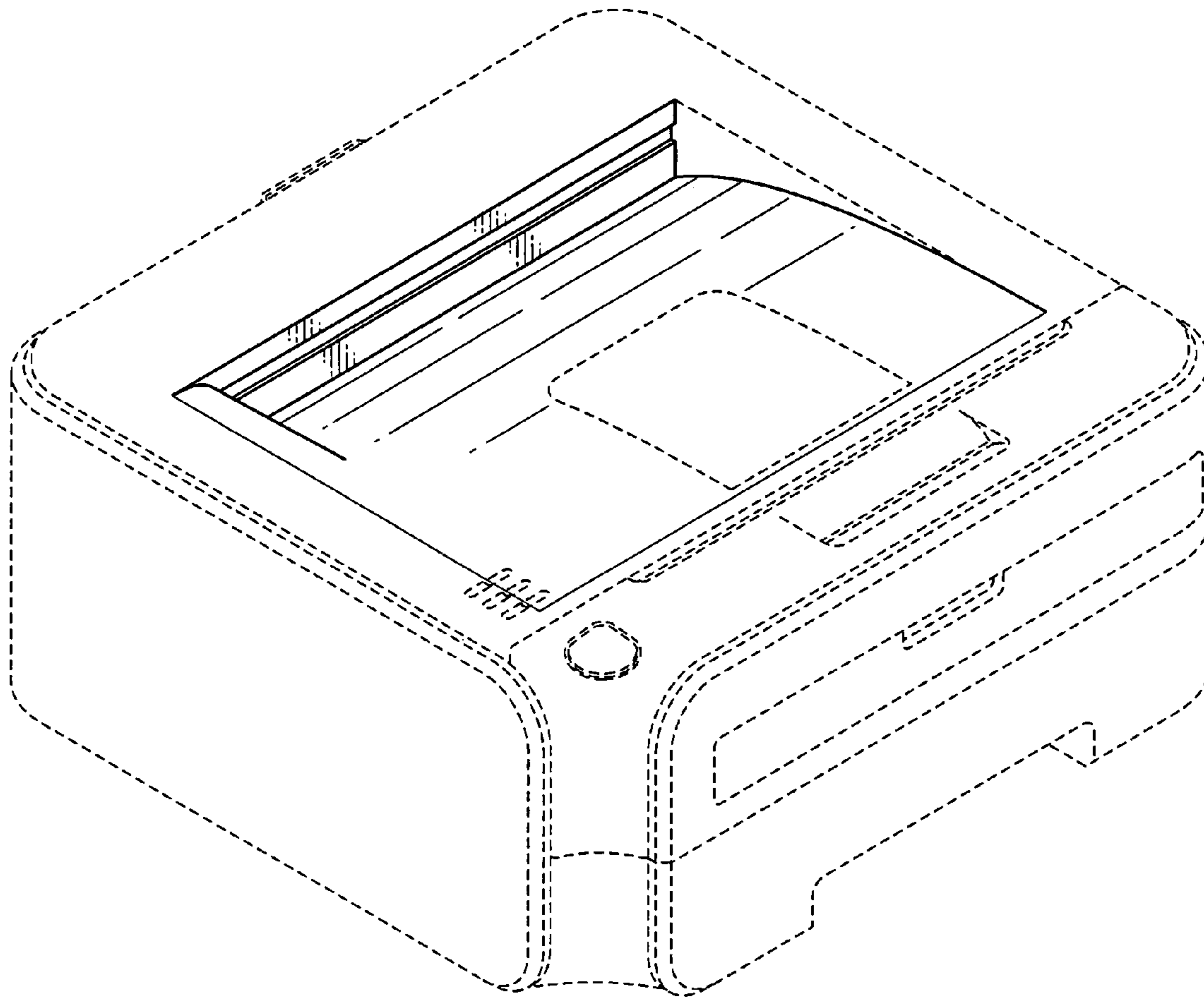


FIG. 3

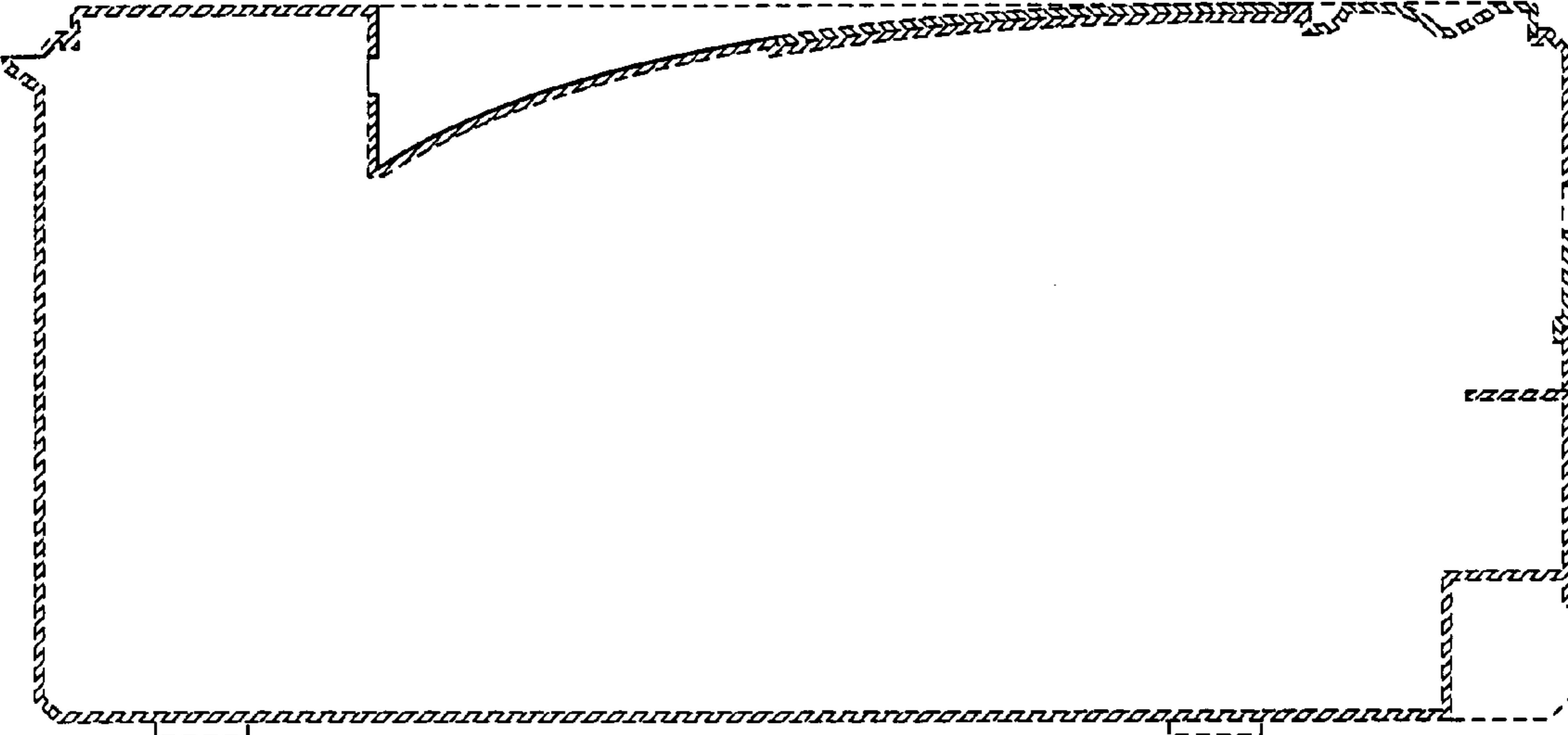


FIG. 4