



US00D578566S

(12) **United States Design Patent**  
**Hattori**

(10) **Patent No.:** **US D578,566 S**  
(45) **Date of Patent:** **\*\* Oct. 14, 2008**

(54) **PRINTER**

(75) Inventor: **Satoru Hattori**, Nagoya (JP)

(73) Assignee: **Brother Industries, Ltd.**, Nagoya (JP)

(\*\*) Term: **14 Years**

(21) Appl. No.: **29/274,949**

(22) Filed: **Jun. 12, 2007**

(30) **Foreign Application Priority Data**

Dec. 27, 2006 (JP) ..... 2006-036050

(51) **LOC (8) Cl.** ..... **18-02**

(52) **U.S. Cl.** ..... **D18/50**

(58) **Field of Classification Search** ..... D18/36-39,  
D18/50, 54, 54.1, 55, 14, 19; D14/420-425,  
D14/462-470; 400/613, 613.1-613.4, 690.1-690.4,  
400/691-694

See application file for complete search history.

(56) **References Cited**

**U.S. PATENT DOCUMENTS**

D322,274 S \* 12/1991 Tokuda et al. .... D18/54  
D340,259 S \* 10/1993 Etou et al. .... D18/55  
D351,189 S \* 10/1994 Yamaguchi et al. .... D18/55

D368,927 S \* 4/1996 Kim ..... D18/55  
D372,733 S \* 8/1996 Yoshida ..... D18/55  
D406,274 S \* 3/1999 Brown et al. .... D18/55  
D443,638 S \* 6/2001 Kobayashi et al. .... D18/54  
D531,663 S \* 11/2006 Senda et al. .... D18/55  
D544,906 S \* 6/2007 Alfonso et al. .... D18/55  
D554,698 S \* 11/2007 Miller et al. .... D18/55  
D562,886 S \* 2/2008 Egami et al. .... D18/55

\* cited by examiner

*Primary Examiner*—Cathy Anne MacCormac

(74) *Attorney, Agent, or Firm*—Oliff & Berridge, PLC

(57) **CLAIM**

The ornamental design for a printer, as shown and described.

**DESCRIPTION**

FIG. 1 is a perspective view of a printer;

FIG. 2 is a front view thereof;

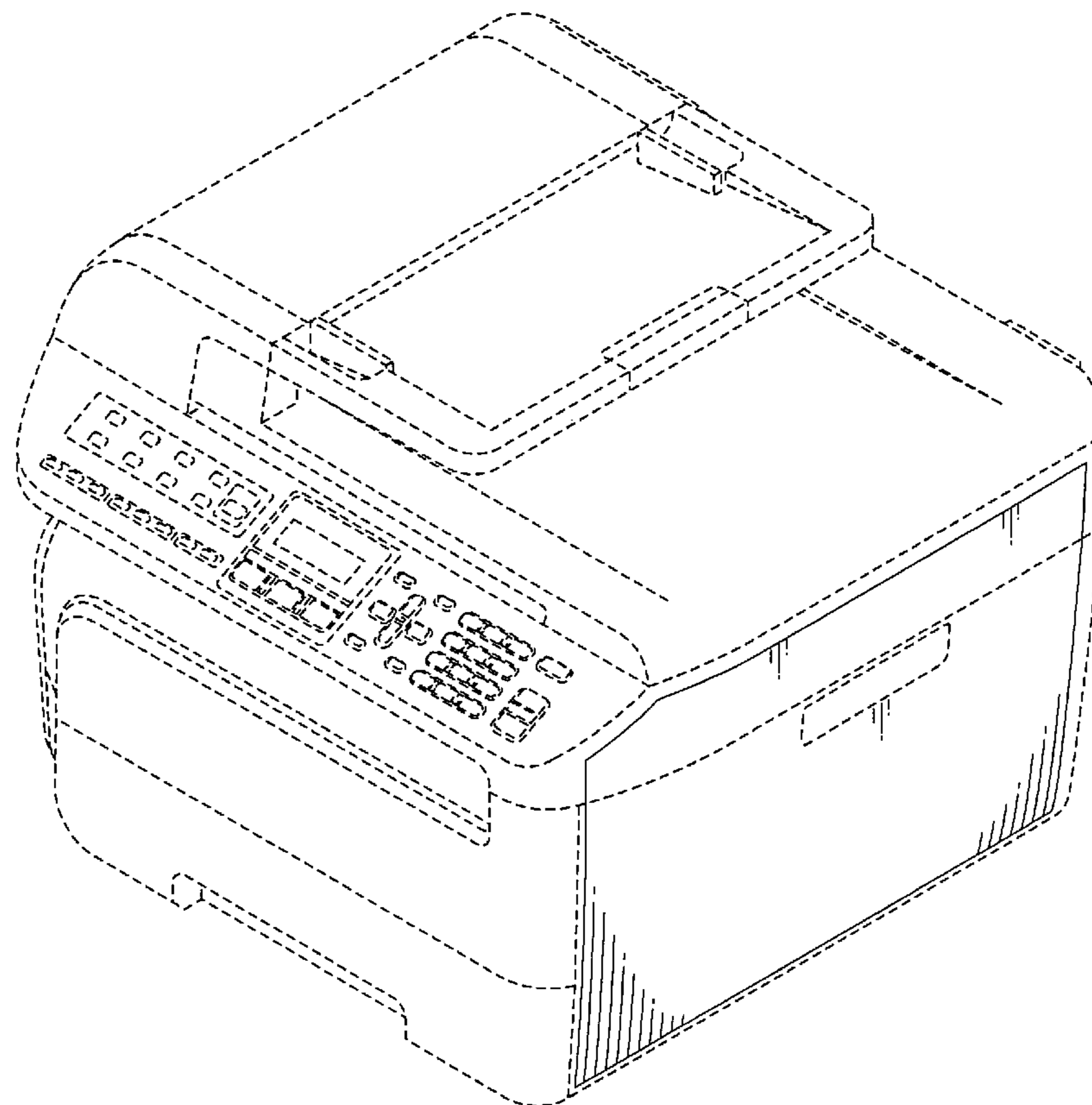
FIG. 3 is a right-side view thereof;

FIG. 4 is a bottom view thereof; and,

FIG. 5 is an enlarged partial bottom view taken within the circle in FIG. 4.

The broken lines are for illustrative purposes only and form no part of the claimed design.

**1 Claim, 5 Drawing Sheets**



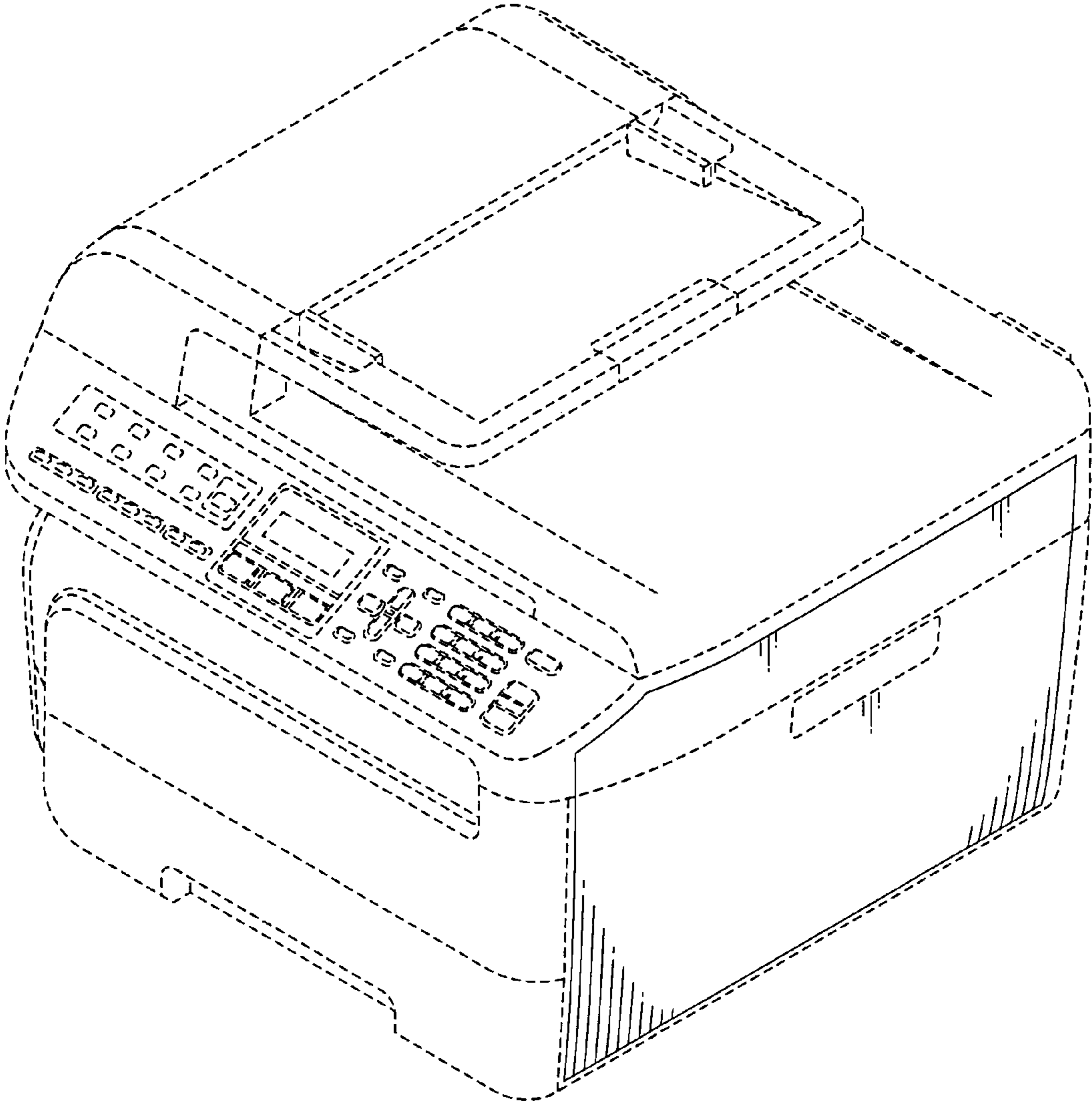


FIG. 1

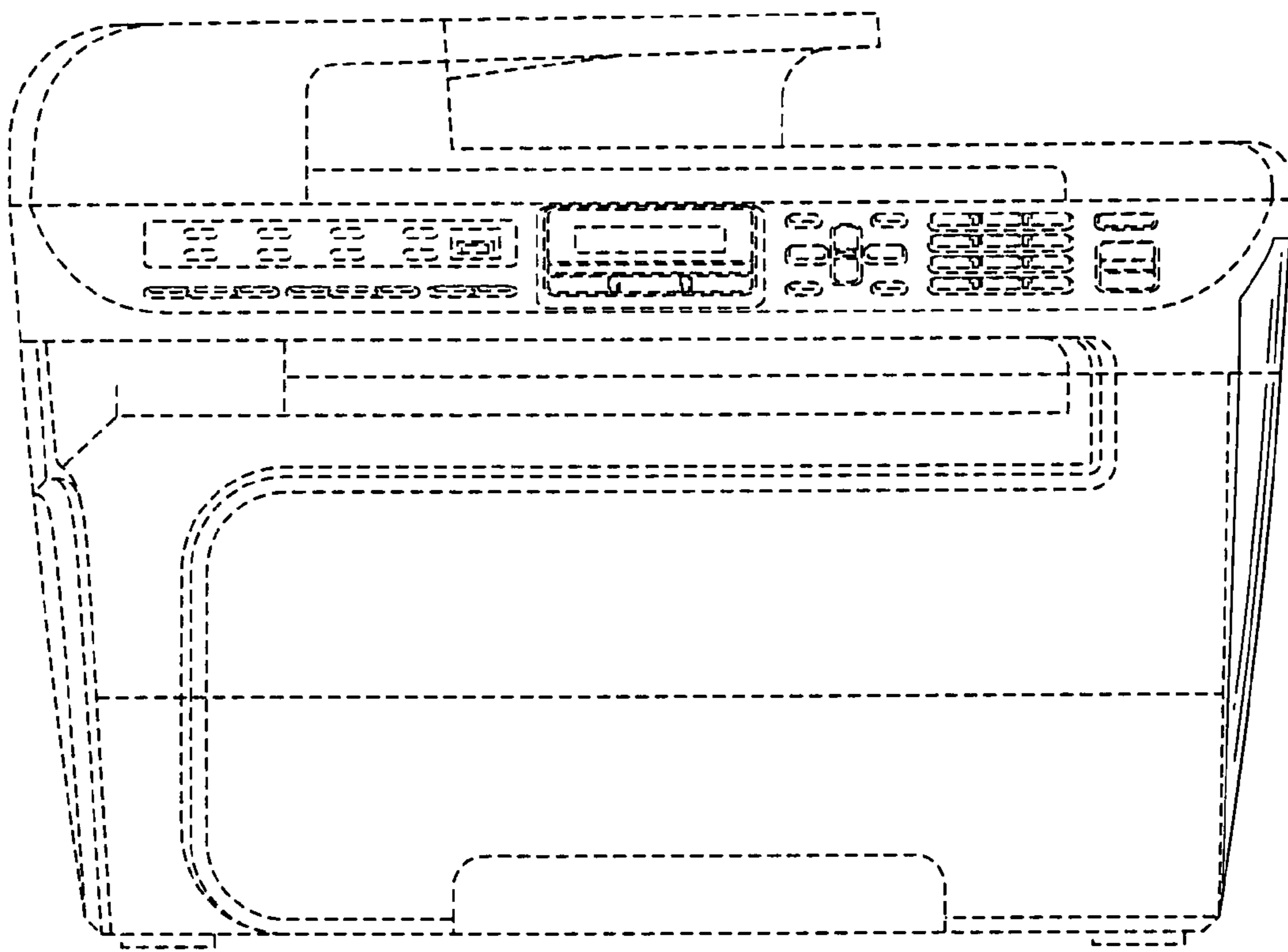


FIG. 2

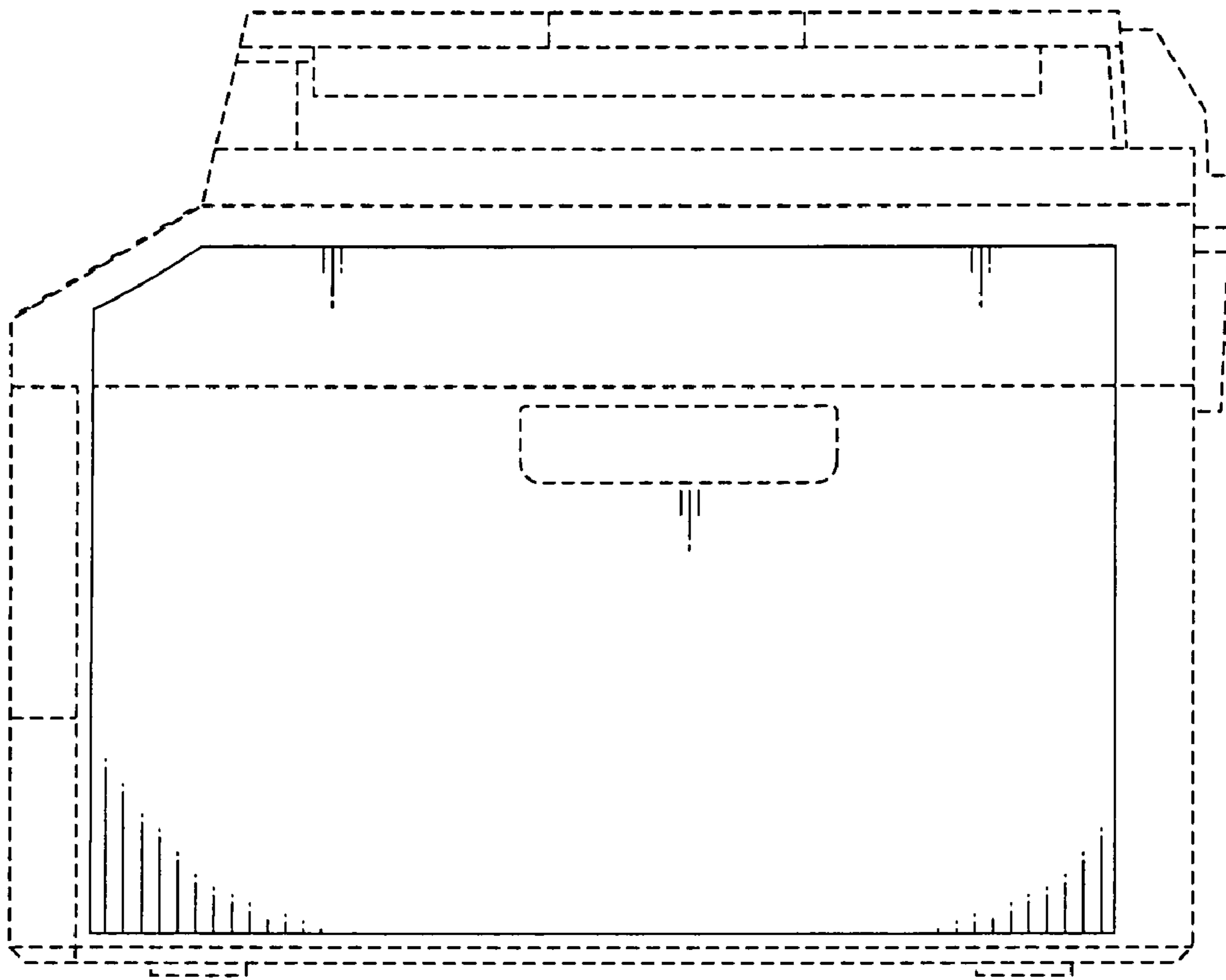


FIG. 3

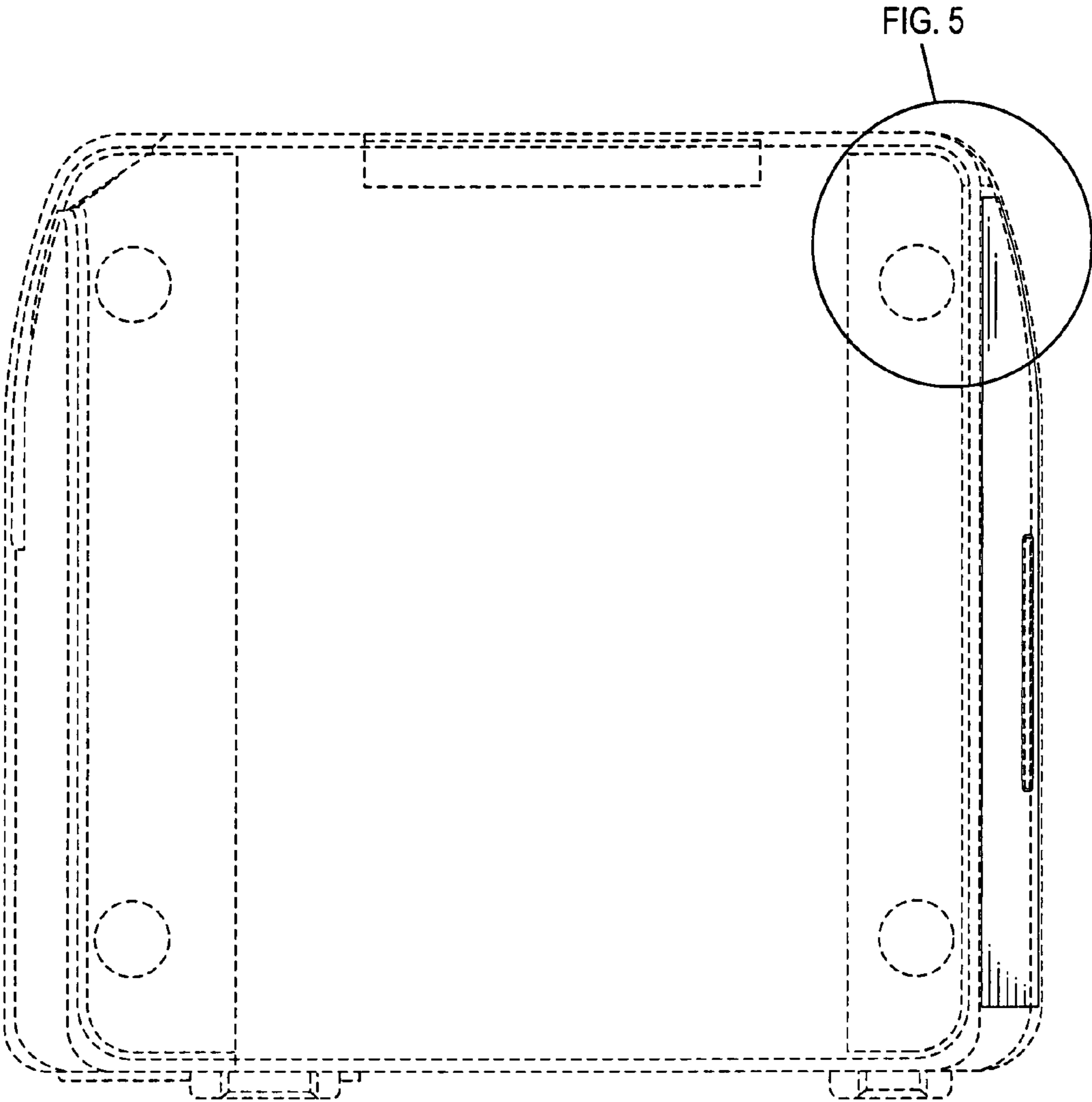


FIG. 4

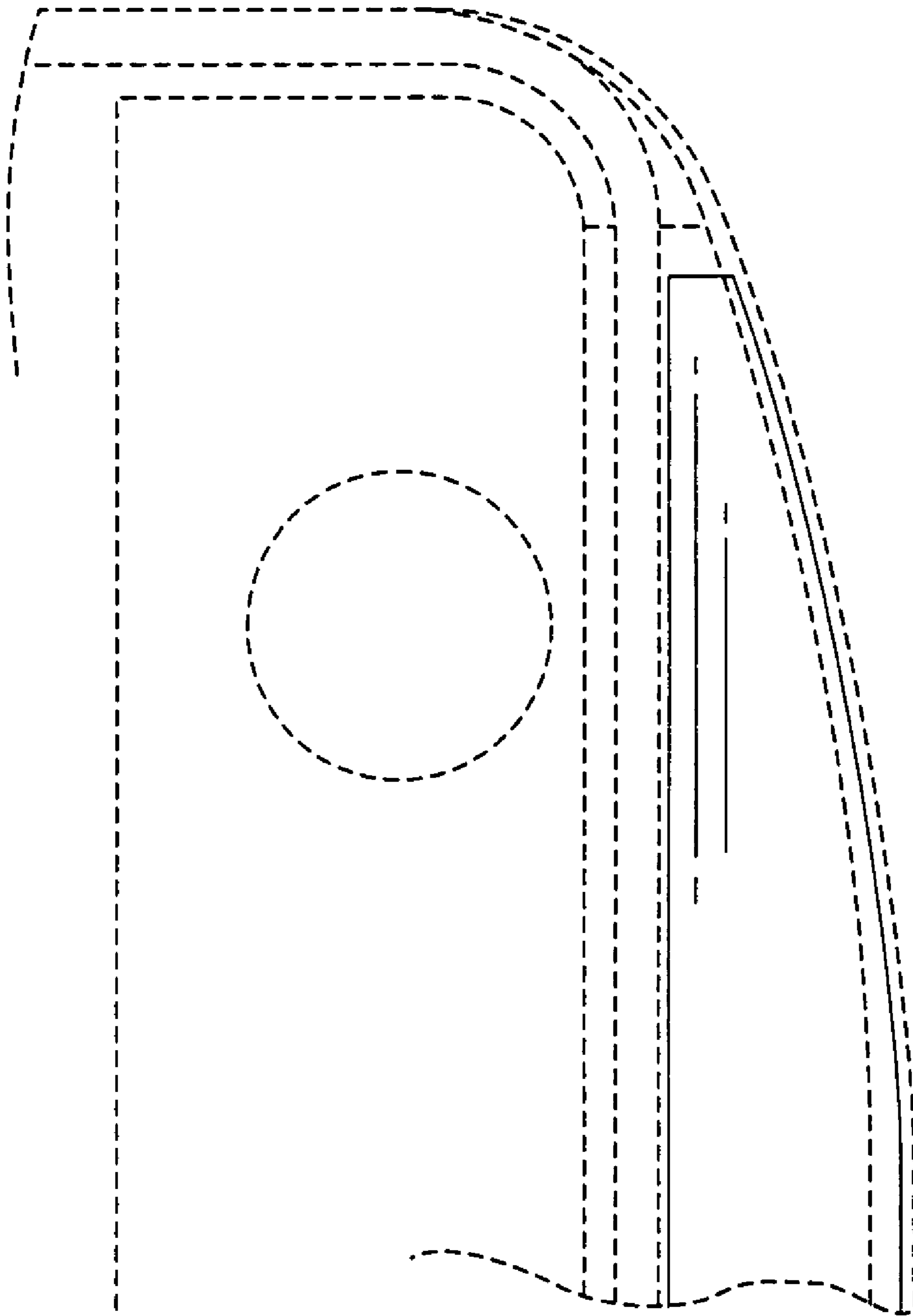


FIG. 5