



US00D578564S

(12) **United States Design Patent**
Bolton

(10) **Patent No.:** **US D578,564 S**
(45) **Date of Patent:** **** Oct. 14, 2008**

(54) **TABLE-TOP VOTING MACHINE**

(75) **Inventor:** **Steve Bolton**, Omaha, NE (US)

(73) **Assignee:** **Election Systems & Software, Inc.**,
Omaha, NE (US)

(**) **Term:** **14 Years**

(21) **Appl. No.:** **29/276,662**

(22) **Filed:** **Jan. 31, 2007**

(51) **LOC (8) Cl.** **18-01**

(52) **U.S. Cl.** **D18/6**

(58) **Field of Classification Search** D14/336,
D14/371, 373-376, 385-387, 399; D18/3.1-3.3,
D18/4.1-4.6, 6-8, 11, 12, 12.1-12.3, 19;
D21/324, 329, 332, 333; D99/28, 34-36,
D99/43; 235/1 E, 2, 7 R, 12, 22, 33, 51,
235/52; 705/12, 15-18, 43

See application file for complete search history.

(56) **References Cited**

U.S. PATENT DOCUMENTS

D163,136 S *	5/1951	Pangburn	D18/6
3,333,766 A *	8/1967	Crossland et al.	235/52
D282,375 S *	1/1986	Dolson	D18/6
D293,920 S *	1/1988	Yubisui et al.	D18/7
D298,945 S *	12/1988	Kagayama et al.	D18/7
D319,459 S *	8/1991	Bleck et al.	D18/6
D379,098 S *	5/1997	Lin	D18/2
5,933,812 A *	8/1999	Meyer et al.	705/15
D502,496 S *	3/2005	Yusef	D18/7
D515,619 S *	2/2006	Magee et al.	D18/6
D521,051 S *	5/2006	Magee et al.	D18/6
D557,347 S *	12/2007	Nishimoto	D21/333
D568,884 S *	5/2008	Kawanobe et al.	D21/332
2003/0066872 A1 *	4/2003	McClure et al.	235/51

OTHER PUBLICATIONS

Web page screenshot of AVC Advantage - Introduction - Sequoia Voting Systems, <http://www.sequoiavote.com/productguide.php?product=AVC%20Advantage&type=Introduction>, Aug. 23, 2003.

Web page screenshot of Liberty Election Systems - Liberty Vote, <http://www.libertyelectionsystems.com/LibertyVote.htm>, Mar. 09, 2007.

Web page screenshot of ELECTronic 1242 Voting System, <http://guardianvoting.com/gvs/vs.html>, Jun. 10, 2002.

* cited by examiner

Primary Examiner—Caron D. Veynar

Assistant Examiner—Garth Rademaker

(74) *Attorney, Agent, or Firm*—Stinson Morrison Hecker LLP

(57) **CLAIM**

The ornamental design for a table-top voting machine, as shown and described.

DESCRIPTION

FIG. 1 is a perspective view of a table-top voting machine;

FIG. 2 is a top view thereof;

FIG. 3 is a front view thereof;

FIG. 4 is a left side view thereof;

FIG. 5 is a rear view thereof;

FIG. 6 is a right side view thereof;

FIG. 7 is a bottom view of thereof;

FIG. 8 is a right side view thereof, wherein the table-top voting machine is in an alternative position; and,

FIG. 9 is a perspective view thereof, wherein the table-top voting machine is in a storage position.

The broken lines depict environmental subject matter only and form no part of the claimed design.

1 Claim, 4 Drawing Sheets

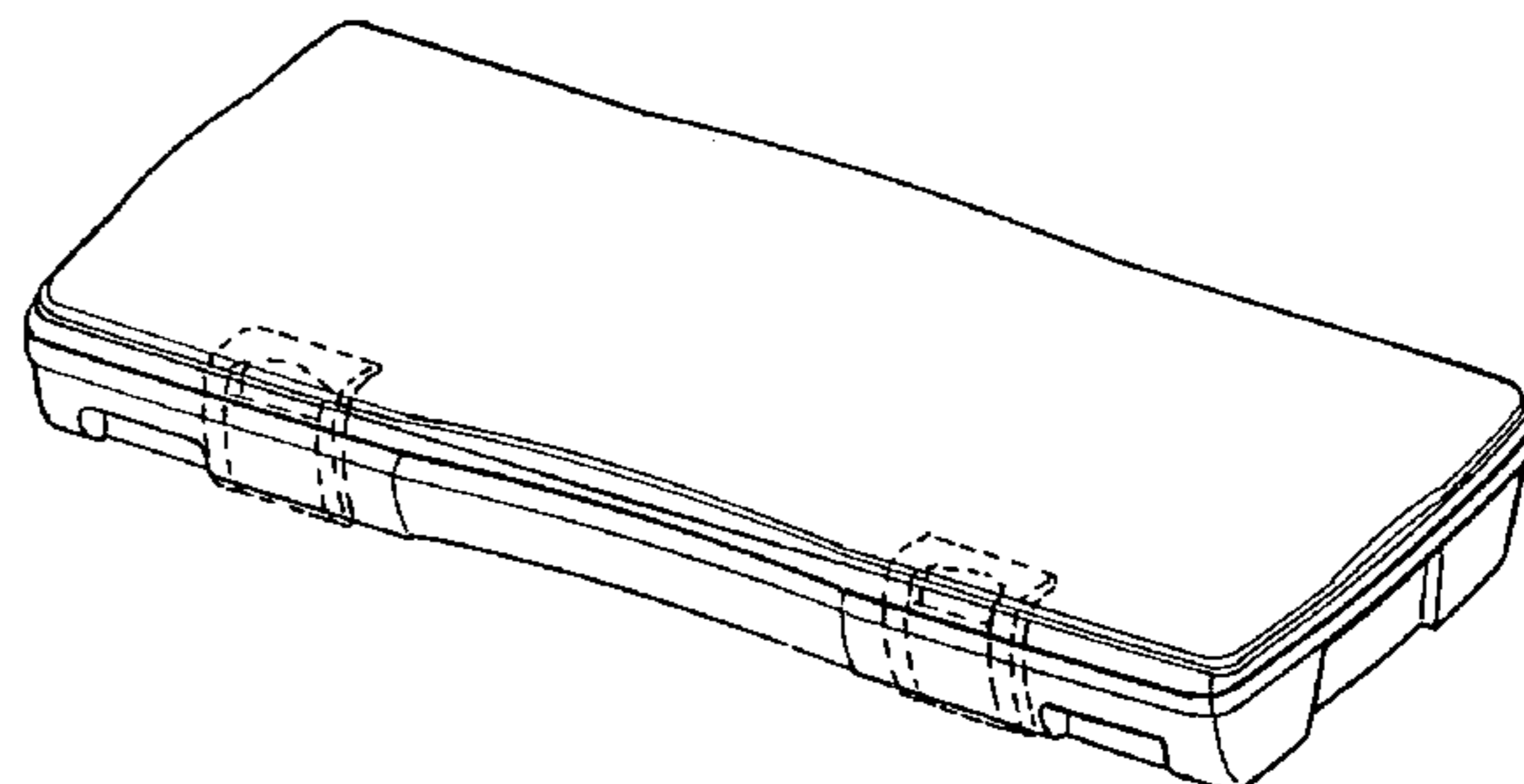




FIG. 1

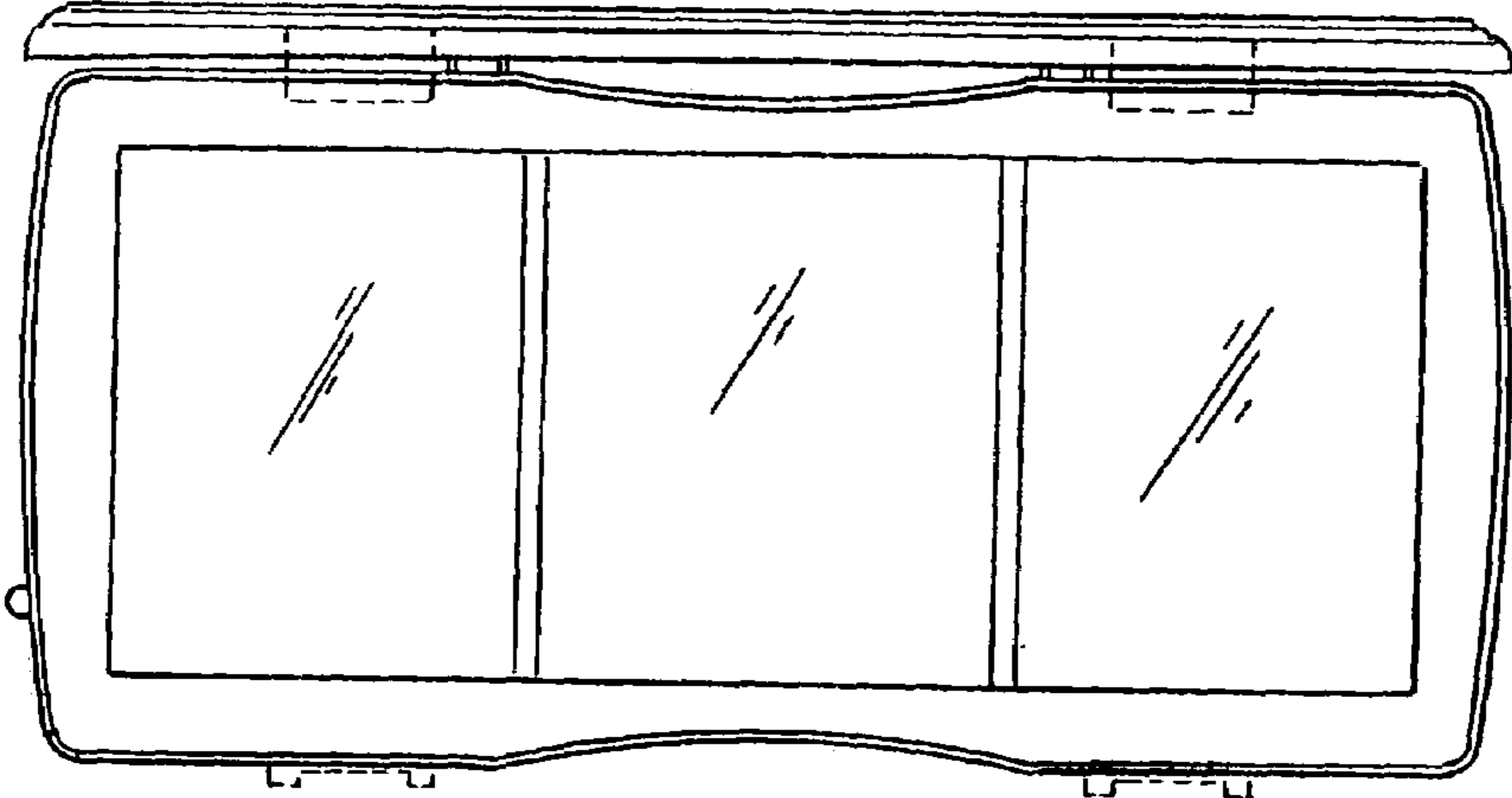


FIG. 2

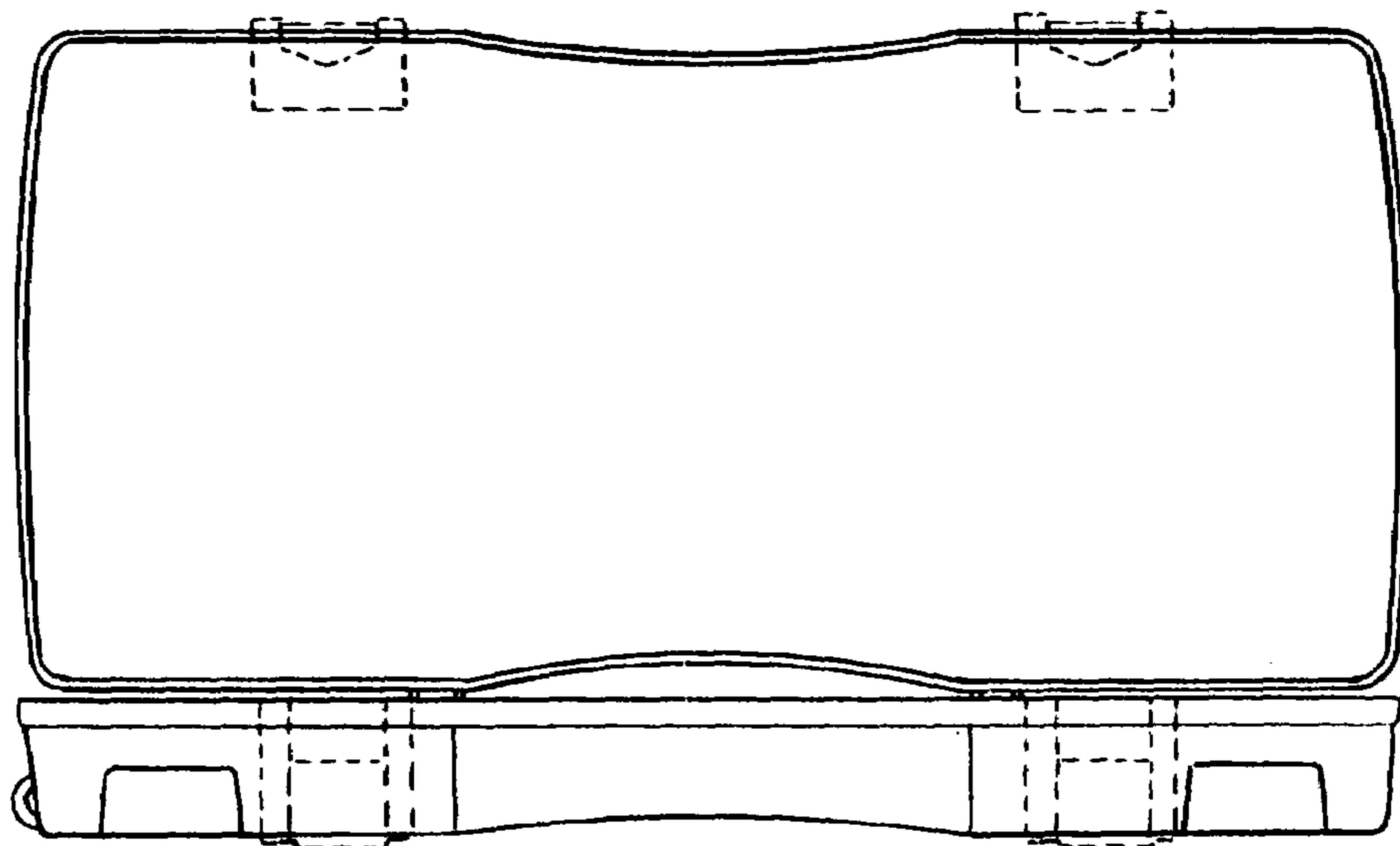


FIG. 3

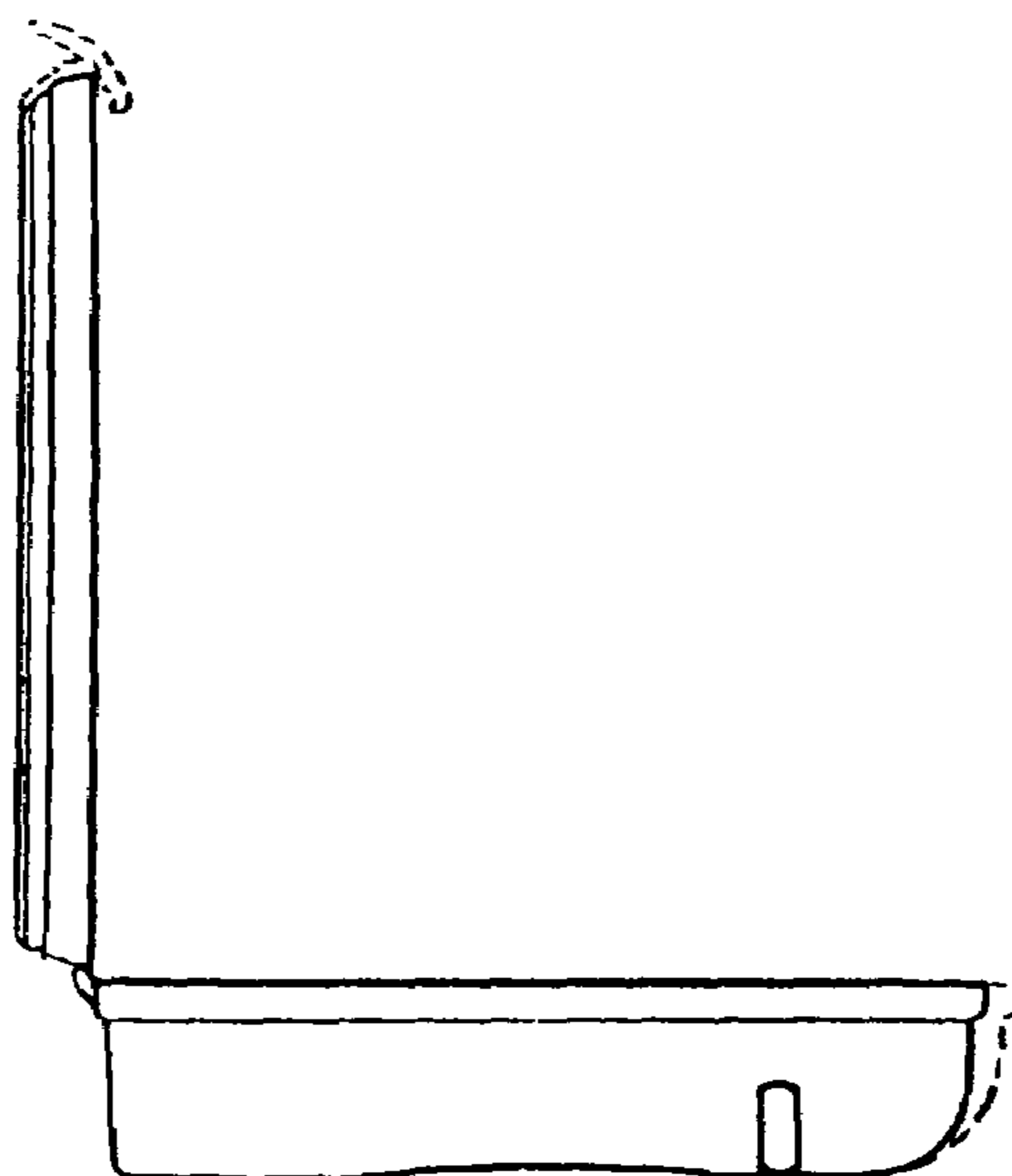


FIG. 4

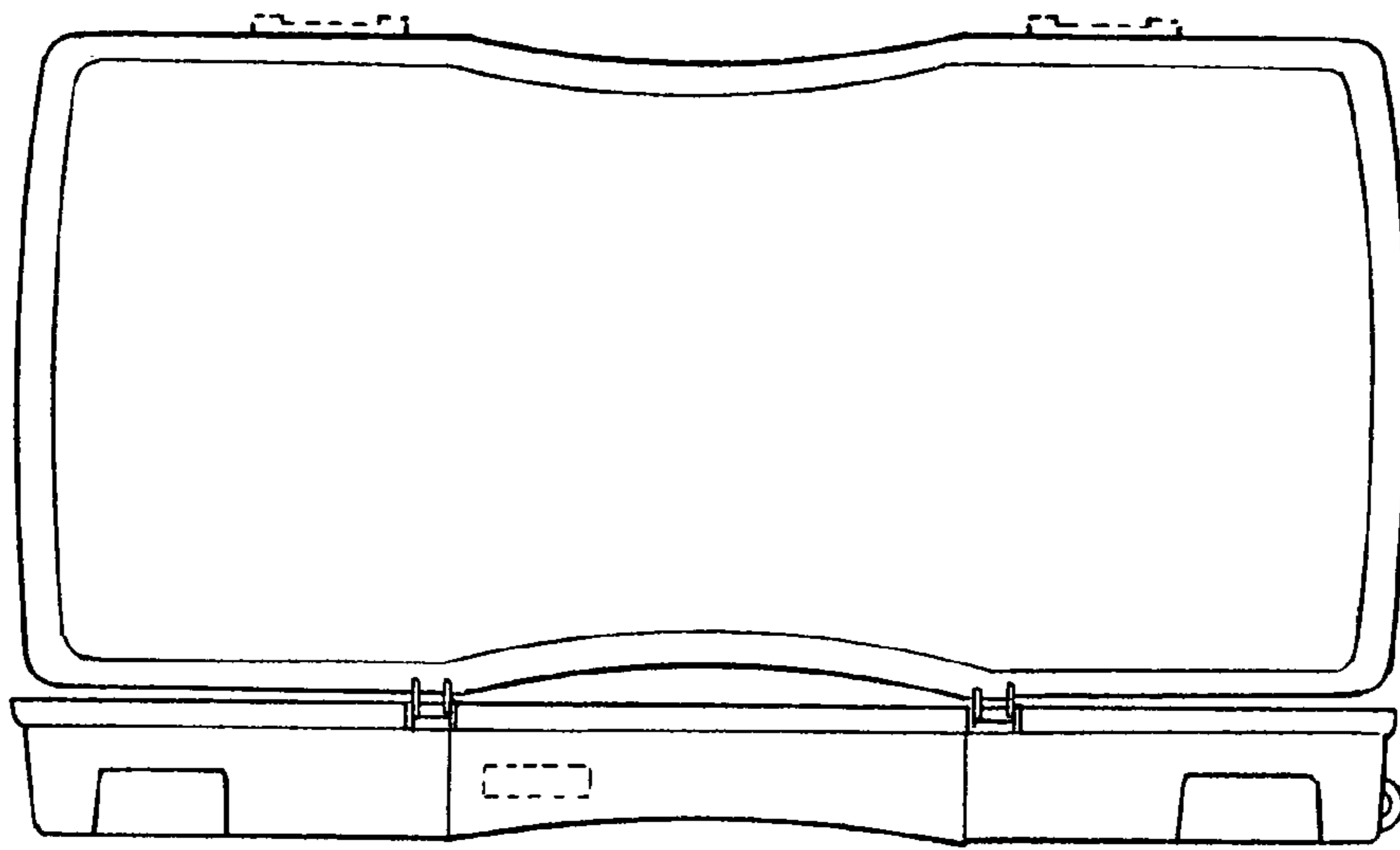


FIG. 5

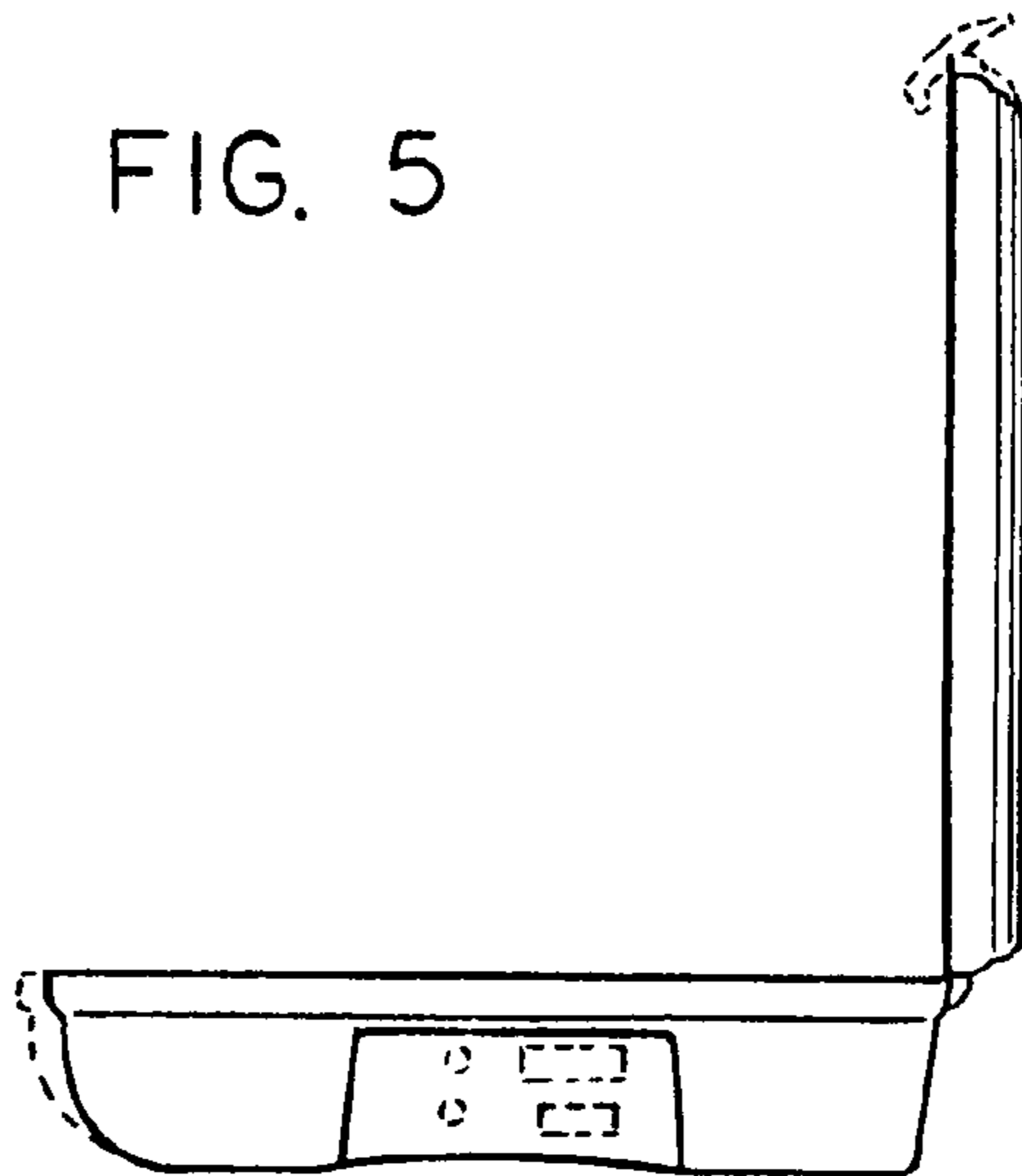


FIG. 6

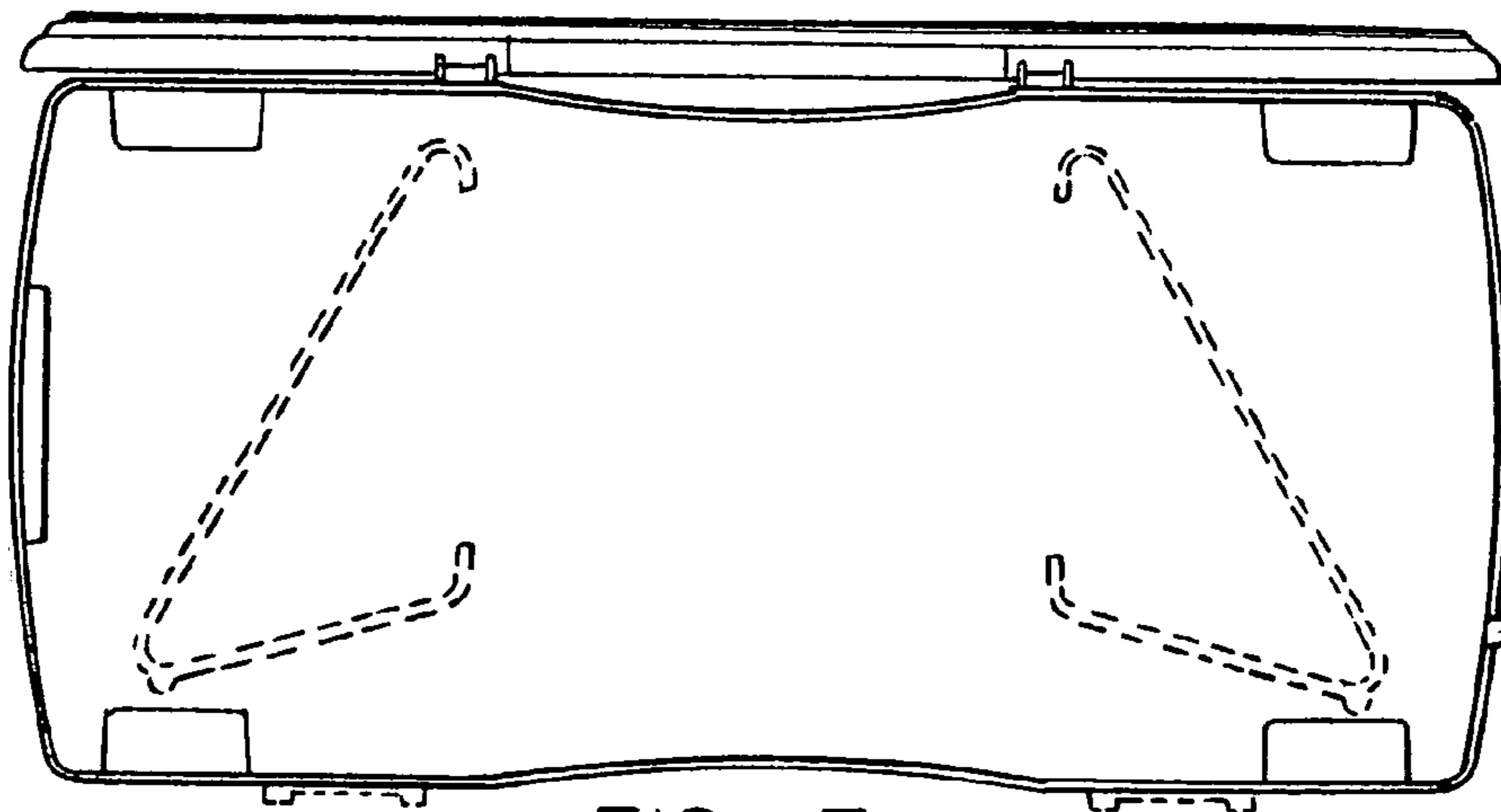


FIG. 7

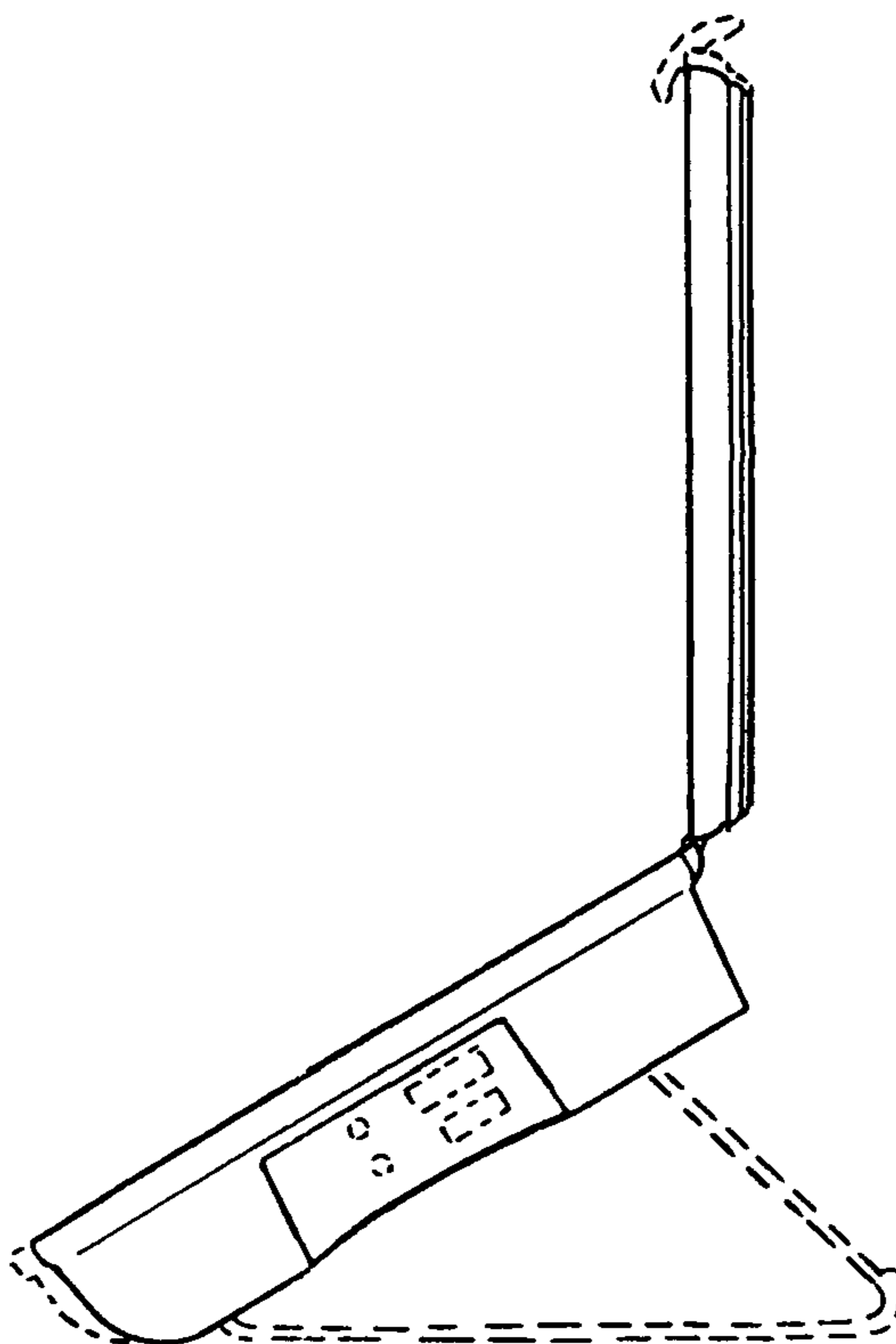


FIG. 8

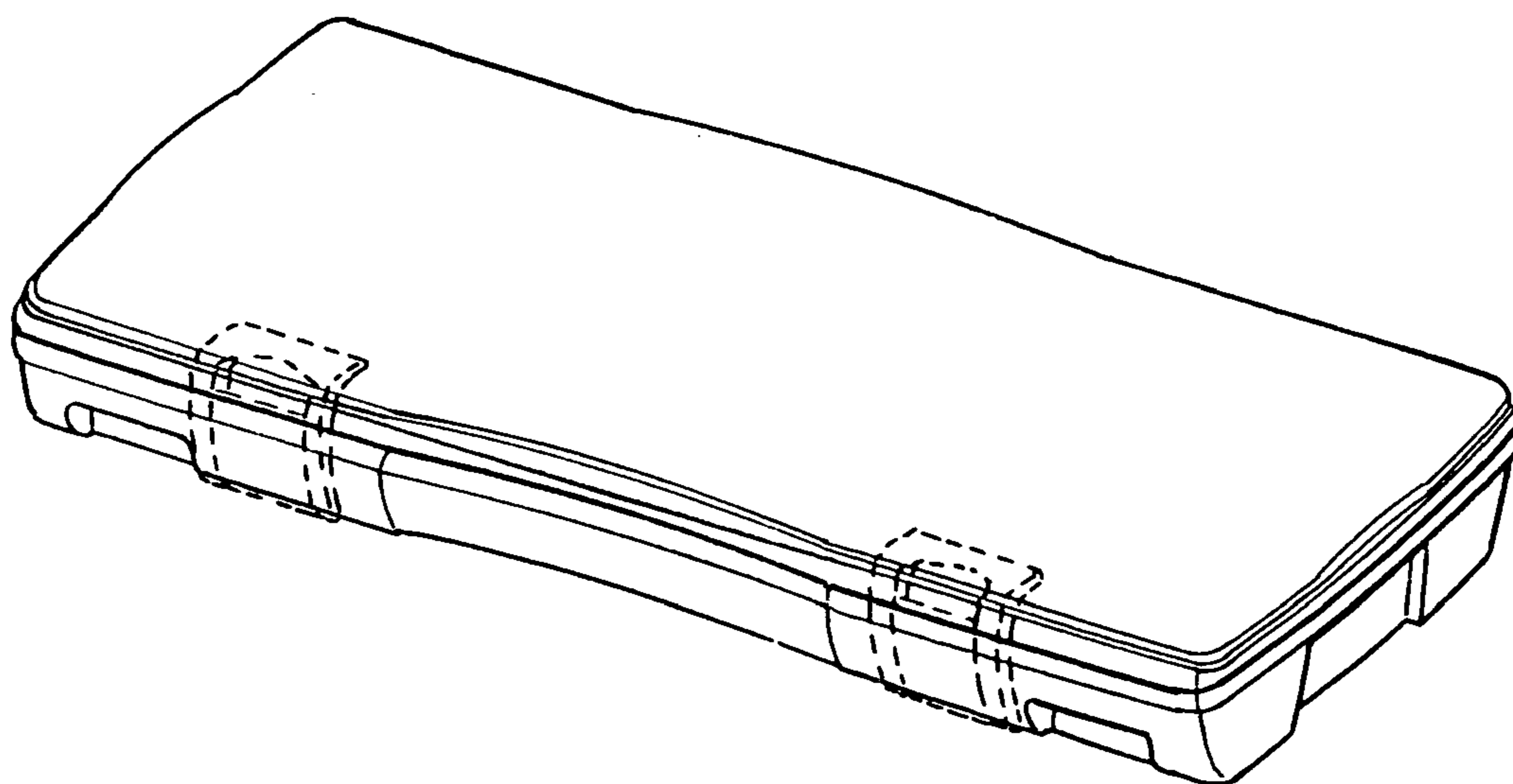


FIG. 9