



US00D578562S

(12) **United States Design Patent**
Moritz

(10) **Patent No.:** **US D578,562 S**
(45) **Date of Patent:** **** Oct. 14, 2008**

(54) **GOGGLE COMPONENT**

(75) Inventor: **Hans Karsten Moritz**, Foothill Ranch,
CA (US)

(73) Assignee: **Oakley, Inc.**, Foothill Ranch, CA (US)

(**) Term: **14 Years**

(21) Appl. No.: **29/292,567**

(22) Filed: **Oct. 16, 2007**

(51) **LOC (8) Cl.** **16-06**

(52) **U.S. Cl.** **D16/312**

(58) **Field of Classification Search** D16/101,
D16/300, 301, 302, 303, 304, 305, 306, 307,
D16/308, 309, 310, 311, 312, 319, 320, 321,
D16/322, 323, 324, 325, 326, 327, 328, 329,
D16/330; D24/110.2; D29/108-110; 2/426,
2/428, 429-430, 432, 436, 437, 438, 439,
2/440, 441, 442, 443, 444, 445, 446-447;
351/41, 44, 158

See application file for complete search history.

(56) **References Cited**

U.S. PATENT DOCUMENTS

D224,483 S	8/1972	Crestin-Billet	
4,290,673 A	9/1981	Yamamoto	
4,571,748 A	2/1986	Carroll et al.	
D322,795 S	12/1991	Dianitsch	
D358,159 S	5/1995	Lai	
5,542,130 A *	8/1996	Grabos et al.	2/436
D405,102 S	2/1999	Moritz et al.	
6,009,564 A	1/2000	Tackles et al.	
6,047,410 A *	4/2000	Dondero	2/426
6,049,917 A	4/2000	Ryden	
D427,225 S	6/2000	Arnette	
D428,039 S	7/2000	Thixton	
6,098,204 A *	8/2000	Arnette	2/426
6,138,285 A *	10/2000	Robrahn et al.	2/436
D439,267 S	3/2001	Hussey	
D439,596 S *	3/2001	Bolle	D16/312
D442,206 S *	5/2001	Meyerhoffer	D16/312
D456,037 S *	4/2002	Tabacchi	D16/312

D457,910 S	5/2002	Tsubooka	
D477,010 S *	7/2003	Moritz et al.	D16/312
6,611,966 B1 *	9/2003	Yamamoto et al.	2/436
D488,182 S	4/2004	Sheldon et al.	
D510,378 S	10/2005	Dondero et al.	
D519,147 S *	4/2006	Moritz et al.	D16/312
D524,352 S *	7/2006	Hsu	D16/312
7,126,732 B2 *	10/2006	McNeal et al.	2/436
7,137,153 B2 *	11/2006	Hussey	2/437
D537,100 S	2/2007	Moritz et al.	

(Continued)

OTHER PUBLICATIONS

U.S. Appl. No. 29/258,507 file Apr. 20, 2006.
U.S. Appl. No. 29,260,155 filed May 19, 2006.
U.S. Appl. No. 29/262,974 filed Jun. 14, 2006.
U.S. Appl. No. 29/267,727 filed Oct. 20, 2006.

(Continued)

Primary Examiner—T. Chase Nelson
Assistant Examiner—Barbara B Lohr
(74) *Attorney, Agent, or Firm*—Gregory K. Nelson

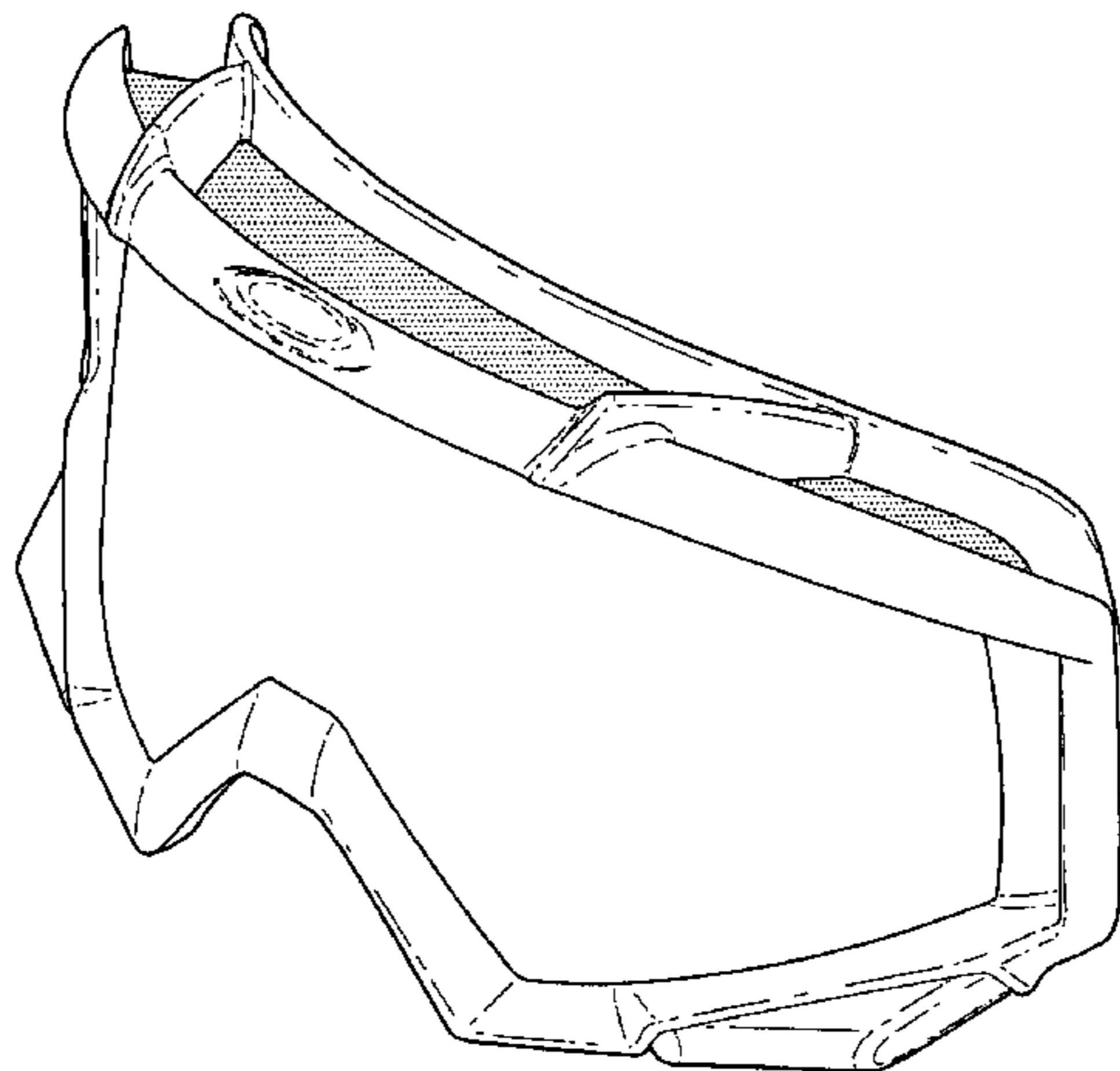
(57) **CLAIM**

The ornamental design for a goggle component, as shown and described.

DESCRIPTION

FIG. 1 is a front perspective view of the goggle component of the present invention;
FIG. 2 is a right-side elevational view thereof;
FIG. 3 is a left-side elevational view thereof;
FIG. 4 is a front elevational view thereof;
FIG. 5 is a rear elevational view thereof;
FIG. 6 is a top plan view thereof; and,
FIG. 7 is a bottom plan view thereof.
Phantom lining, where utilized, is for illustrative purposes only and forms no part of the claimed design.

1 Claim, 4 Drawing Sheets



U.S. PATENT DOCUMENTS

D542,829 S * 5/2007 Hsu D16/312
D542,830 S * 5/2007 Hsu D16/312
D551,278 S * 9/2007 Moritz et al. D16/312
D554,686 S * 11/2007 Teng D16/312
D556,238 S * 11/2007 Yang D16/312
D556,811 S * 12/2007 Bruck D16/312
D556,812 S * 12/2007 Wang-Lee D16/312
D559,299 S * 1/2008 Tabacchi D16/312
2002/0166159 A1* 11/2002 Kawanishi et al. 2/436
2003/0110552 A1* 6/2003 Youmans et al. 2/426
2006/0200895 A1* 9/2006 Polinelli et al. 2/428
2007/0261155 A1* 11/2007 Tabacchi 2/439

OTHER PUBLICATIONS

U.S. Appl. No. 29/286,109 filed Apr. 23, 2007.
U.S. Appl. No. 29/288,586 filed Jun. 15, 2007.
U.S. Appl. No. 29/292,303 filed Oct. 5, 2007.
U.S. Appl. No. 29/292,296 filed Oct. 15, 2007.
U.S. Appl. No. 29/292,565 filed Oct. 16, 2007.
U.S. Appl. No. 29/292,568 filed Oct. 16, 2007.
U.S. Appl. No. 29/294,103 filed Dec. 20, 2007.
U.S. Appl. No. 29/294,104 filed Dec. 21, 2007.
U.S. Appl. No. 29/294,673 filed Jan. 21, 2008.
U.S. Appl. No. 29/294,656 filed Jan. 21, 2008.

* cited by examiner

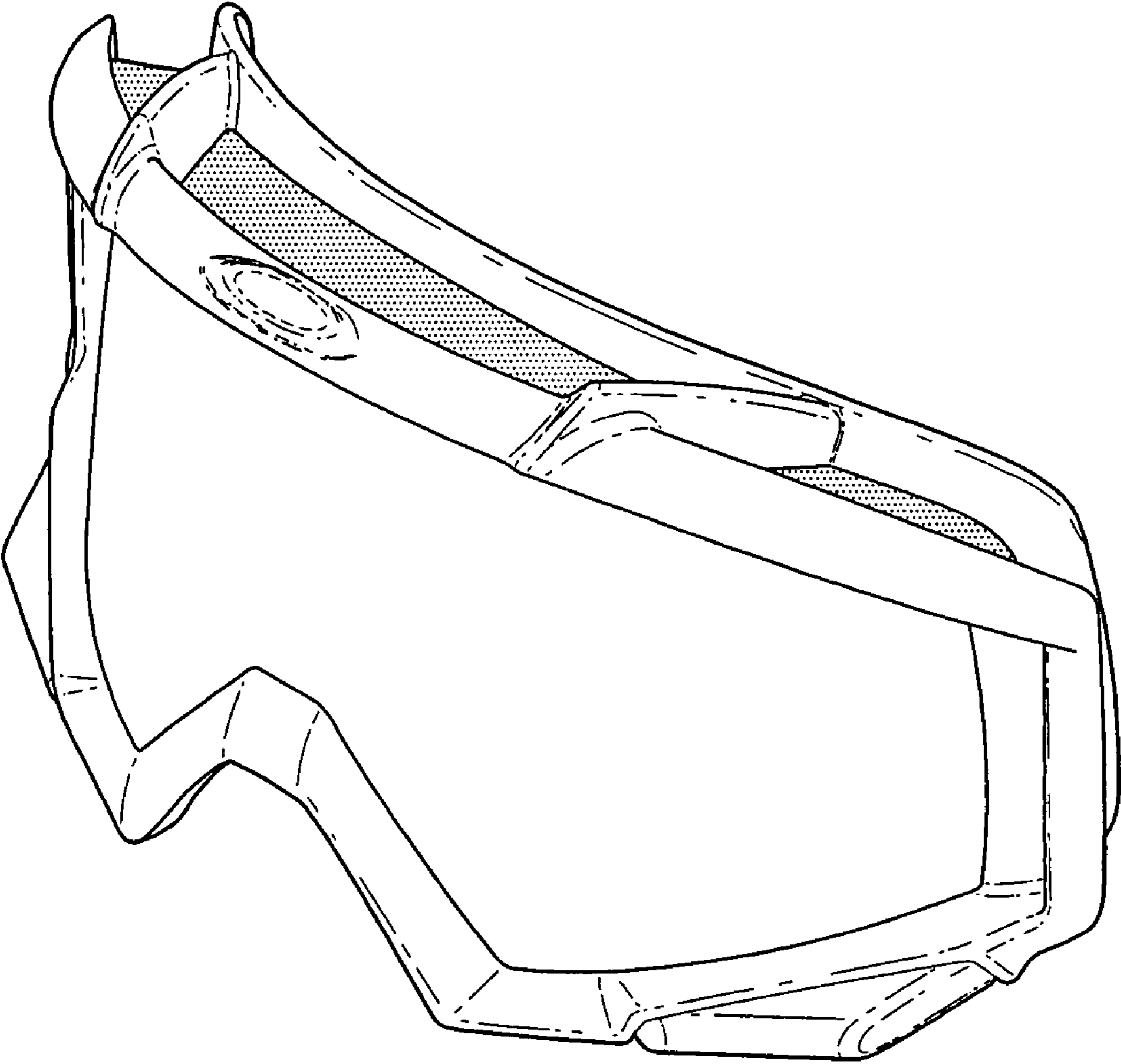


FIG. 1

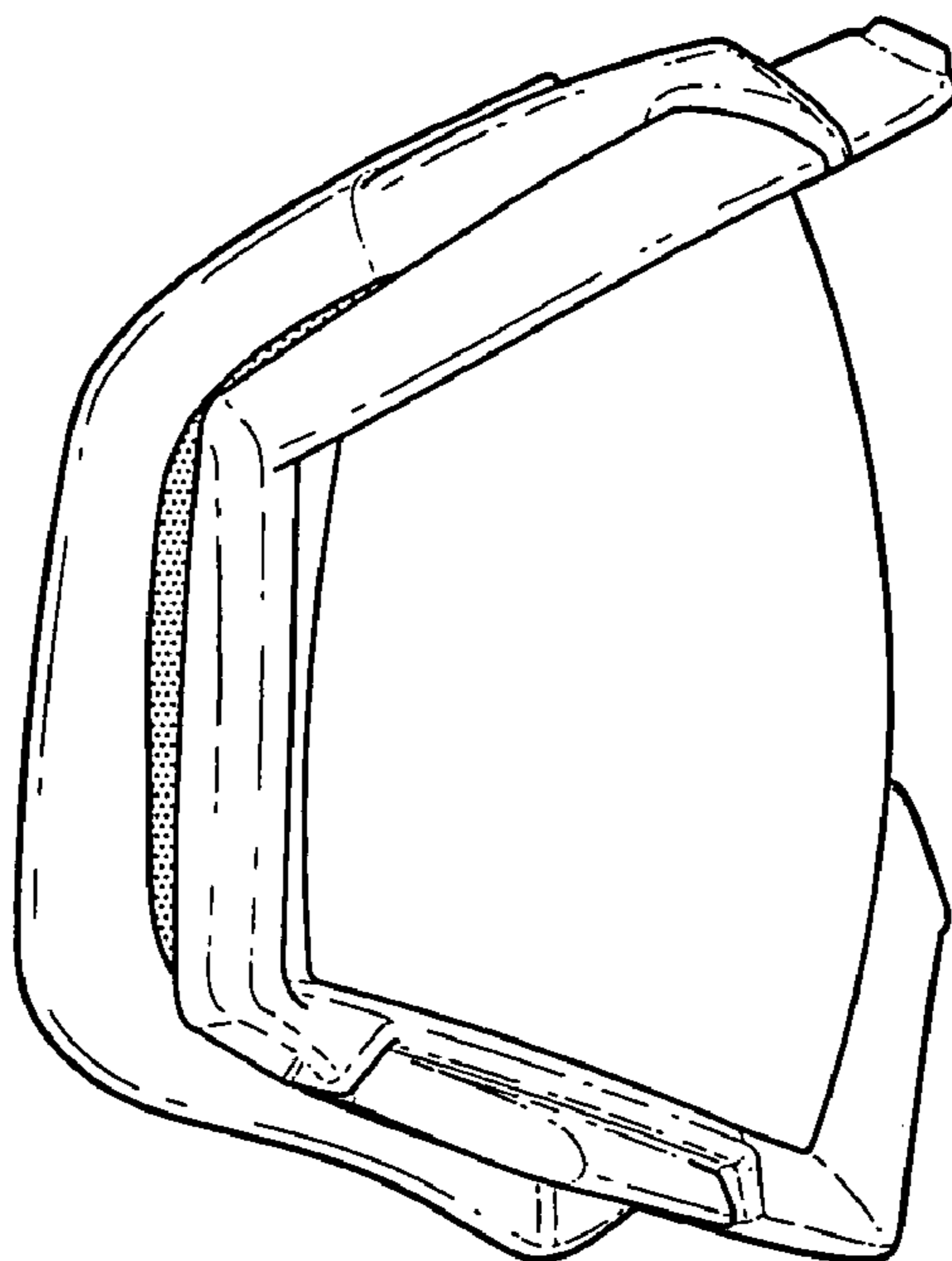


FIG. 2

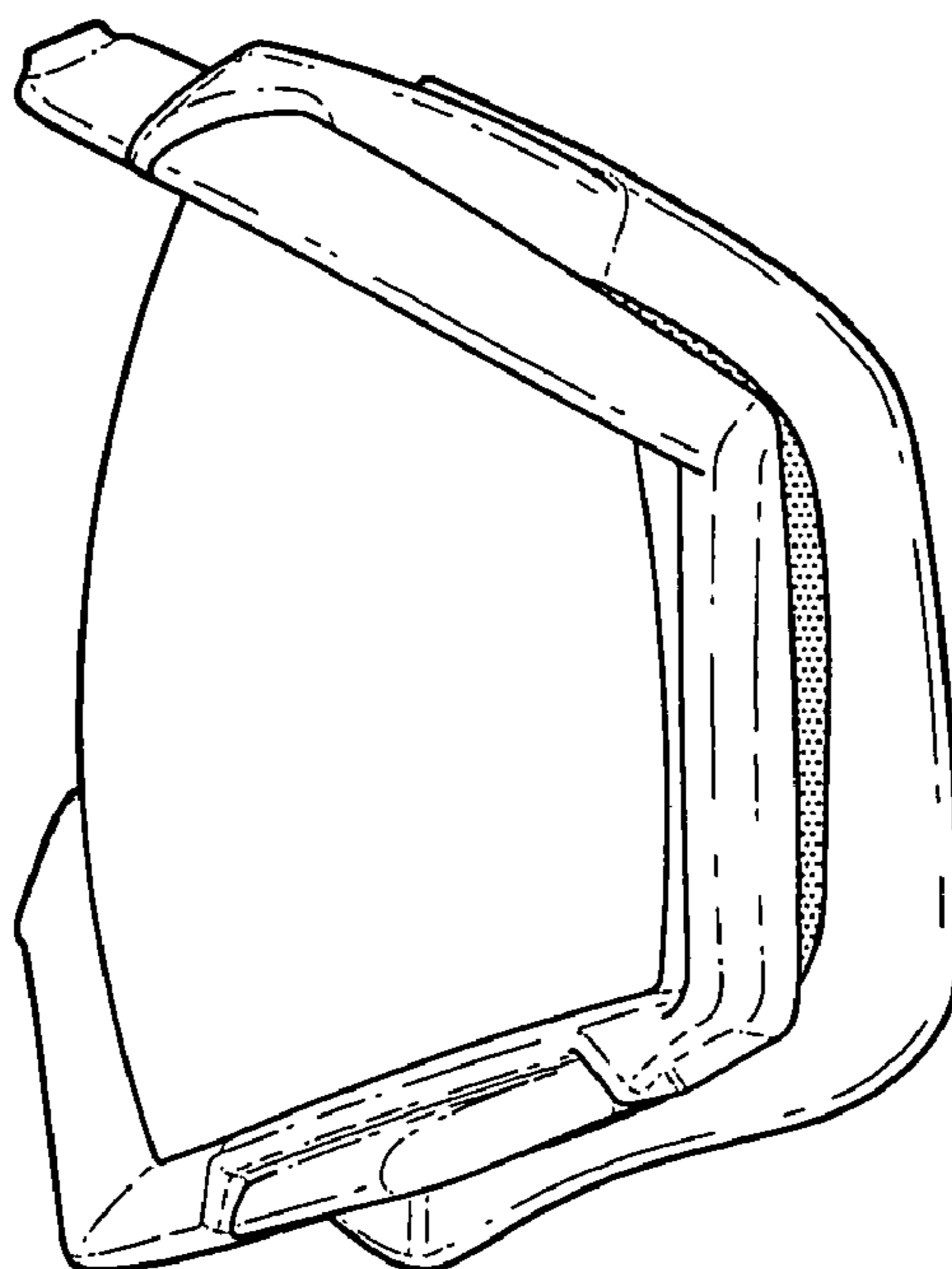


FIG. 3

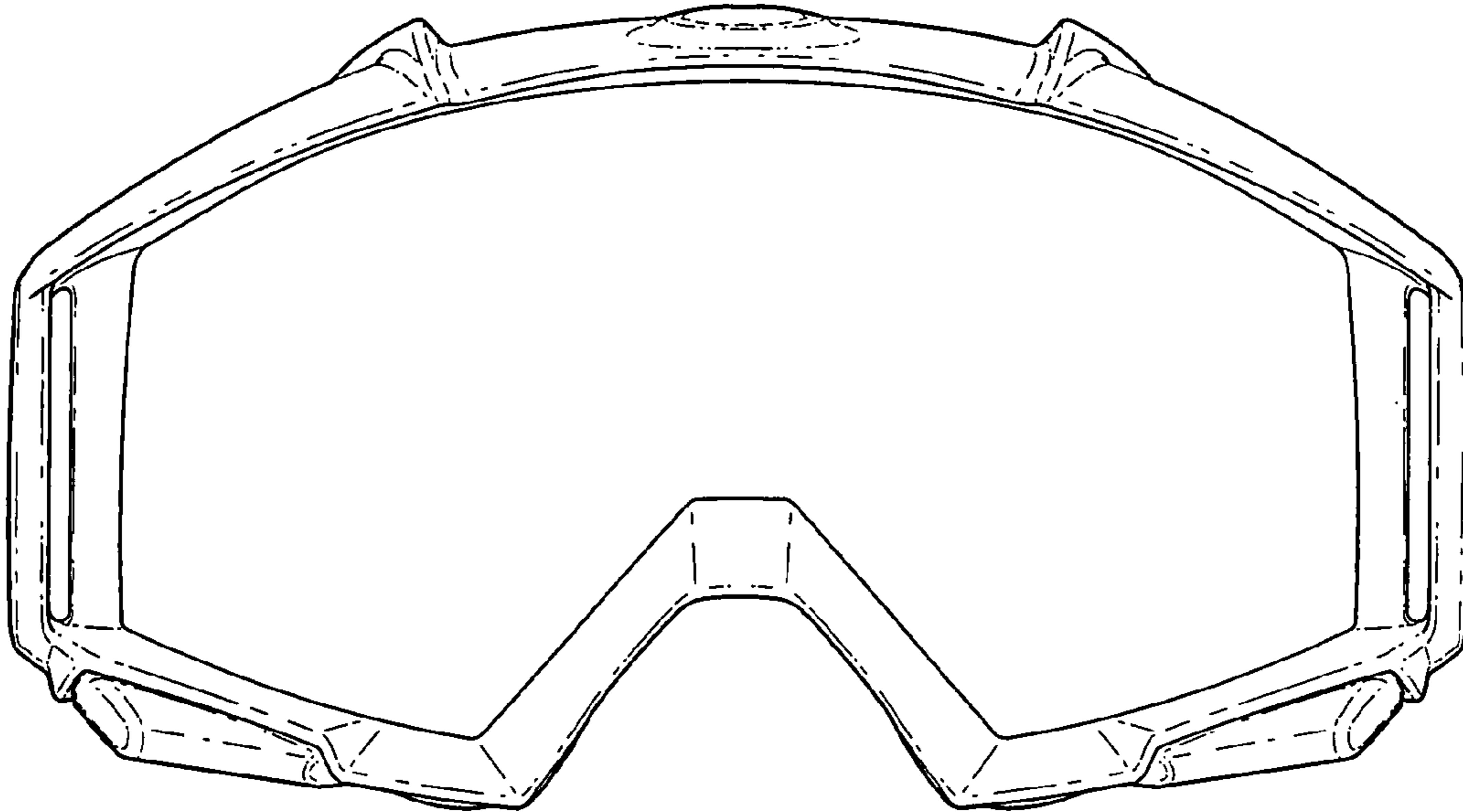


FIG. 4

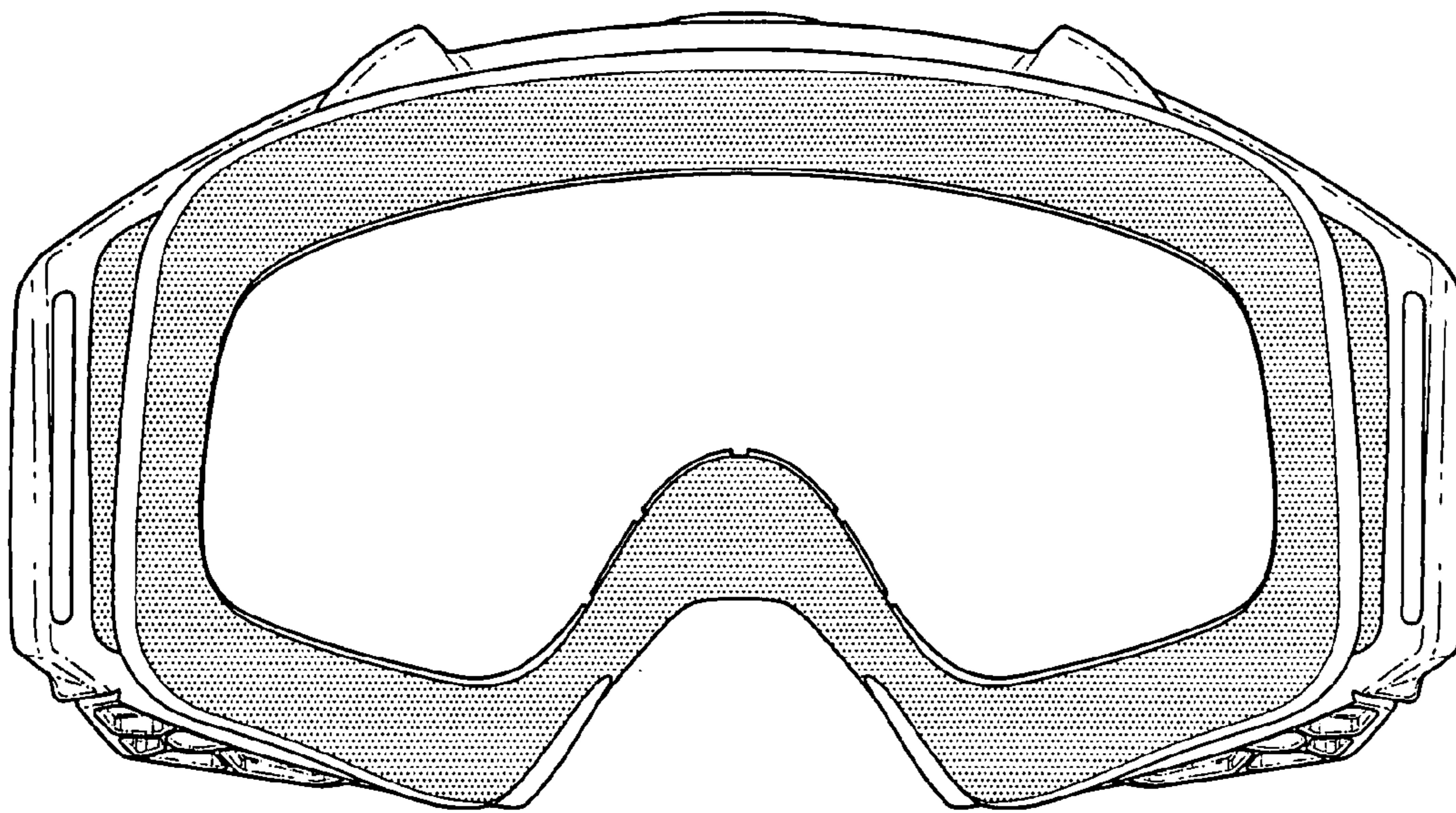


FIG. 5

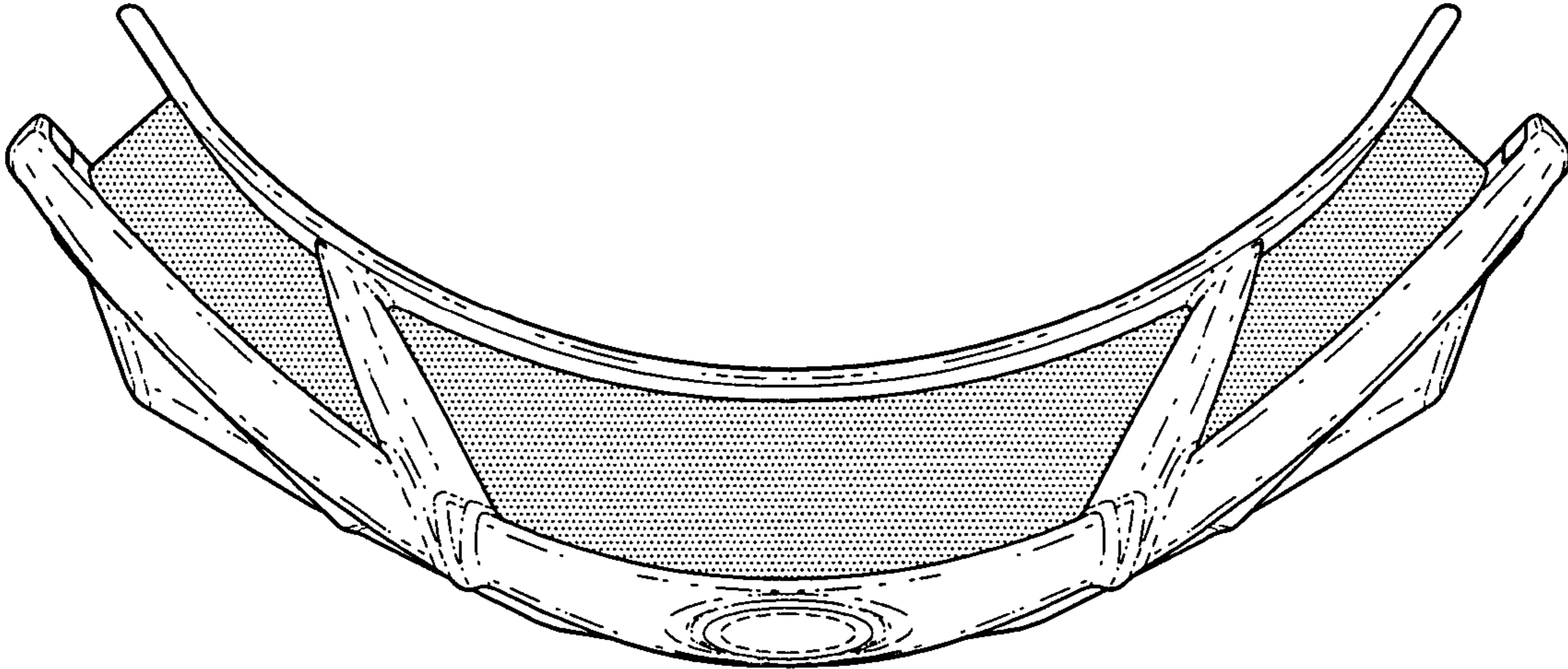


FIG. 6

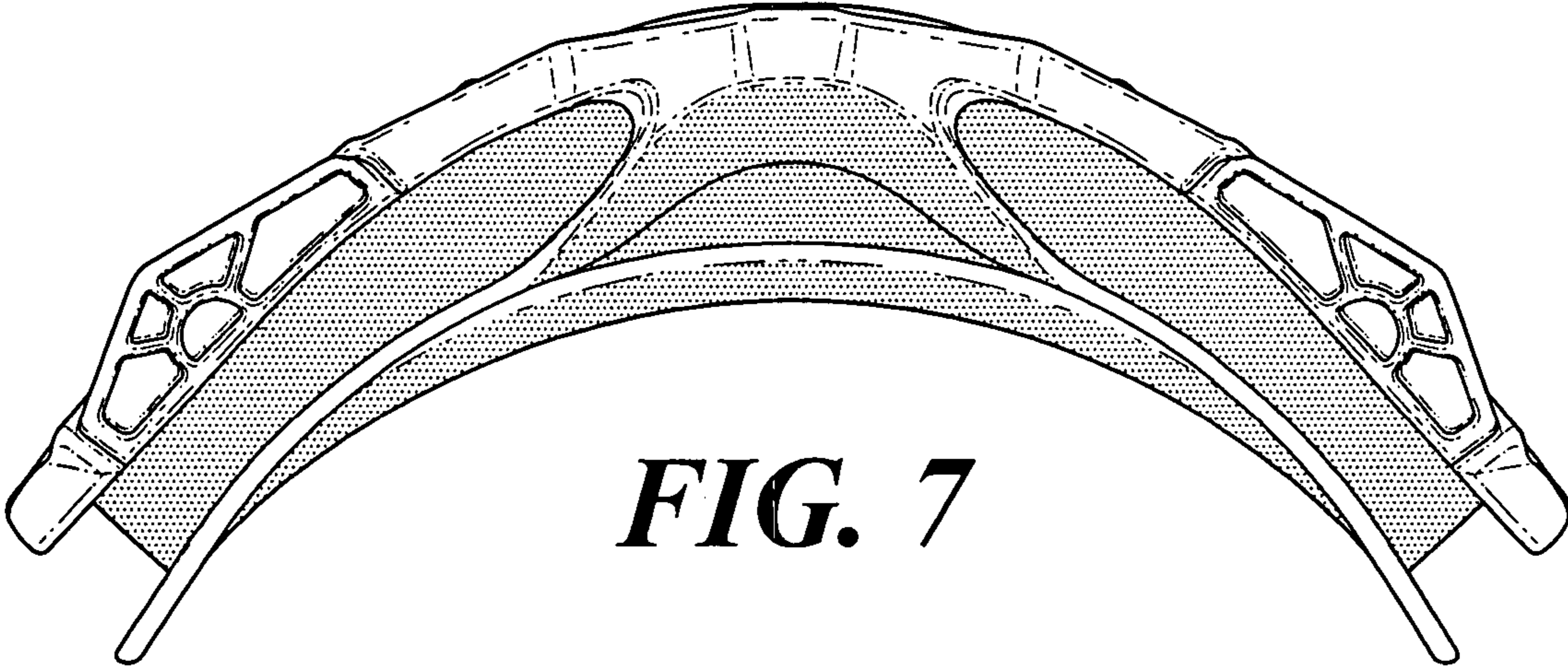


FIG. 7