



US00D578561S

(12) **United States Design Patent**
Dumanogullari

(10) **Patent No.:** **US D578,561 S**

(45) **Date of Patent:** **** Oct. 14, 2008**

(54) **HOUSING FOR CCTV CAMERA**

(75) Inventor: **Mehmet Melih Dumanogullari**, Kwai Chung (HK)

(73) Assignee: **Evertch Electronics Industries Company Limited**, Kwai Chung - New Territories (HK)

(**) Term: **14 Years**

(21) Appl. No.: **29/267,235**

(22) Filed: **Oct. 10, 2006**

(51) **LOC (8) Cl.** **16-01**

(52) **U.S. Cl.** **D16/203**

(58) **Field of Classification Search** D16/200-206, D16/208, 213, 217-218; D21/514; D26/24, D26/46, 49, 63; 348/373-376, 143, 151; 396/535-541, 427-429, 433; 362/612, 800
See application file for complete search history.

(56) **References Cited**

U.S. PATENT DOCUMENTS

3,079,492	A *	2/1963	Bolinger	D26/49
D303,674	S	9/1989	Shimizu et al.		
D307,915	S *	5/1990	Kuester, III	D16/203
D426,844	S	6/2000	Fujii		
6,618,092	B2 *	9/2003	Alessio et al.	348/373
D481,407	S *	10/2003	Alessio	D16/203
D509,234	S	9/2005	Muto et al.		
D514,150	S *	1/2006	Muto et al.	D16/203
D515,607	S *	2/2006	Cheng	D16/203
D524,347	S	7/2006	Takahashi		

D528,144	S *	9/2006	Takemasa	D16/203
D529,063	S *	9/2006	Cheng	D16/203
D540,360	S *	4/2007	Yamakawa	D16/203
D544,978	S *	6/2007	Jianbo	D26/63
D552,145	S *	10/2007	Grotto	D16/203
2001/0015766	A1 *	8/2001	Marchesini	348/373
2006/0077285	A1 *	4/2006	Cheng	348/373
2007/0109441	A1 *	5/2007	Cheng	348/373

* cited by examiner

Primary Examiner—Stella M. Reid

Assistant Examiner—Wan Laymon

(74) *Attorney, Agent, or Firm*—Polster, Lieder, Woodruff & Lucchesi, L.C.

(57) **CLAIM**

The ornamental design for a housing for CCTV camera, as shown and described.

DESCRIPTION

FIG. 1 is a front, top perspective view of a housing for CCTV camera of the present design;

FIG. 2 is a front, bottom perspective view thereof;

FIG. 3 is a rear, bottom perspective view thereof;

FIG. 4 is a front elevational view thereof;

FIG. 5 is a rear elevational view thereof;

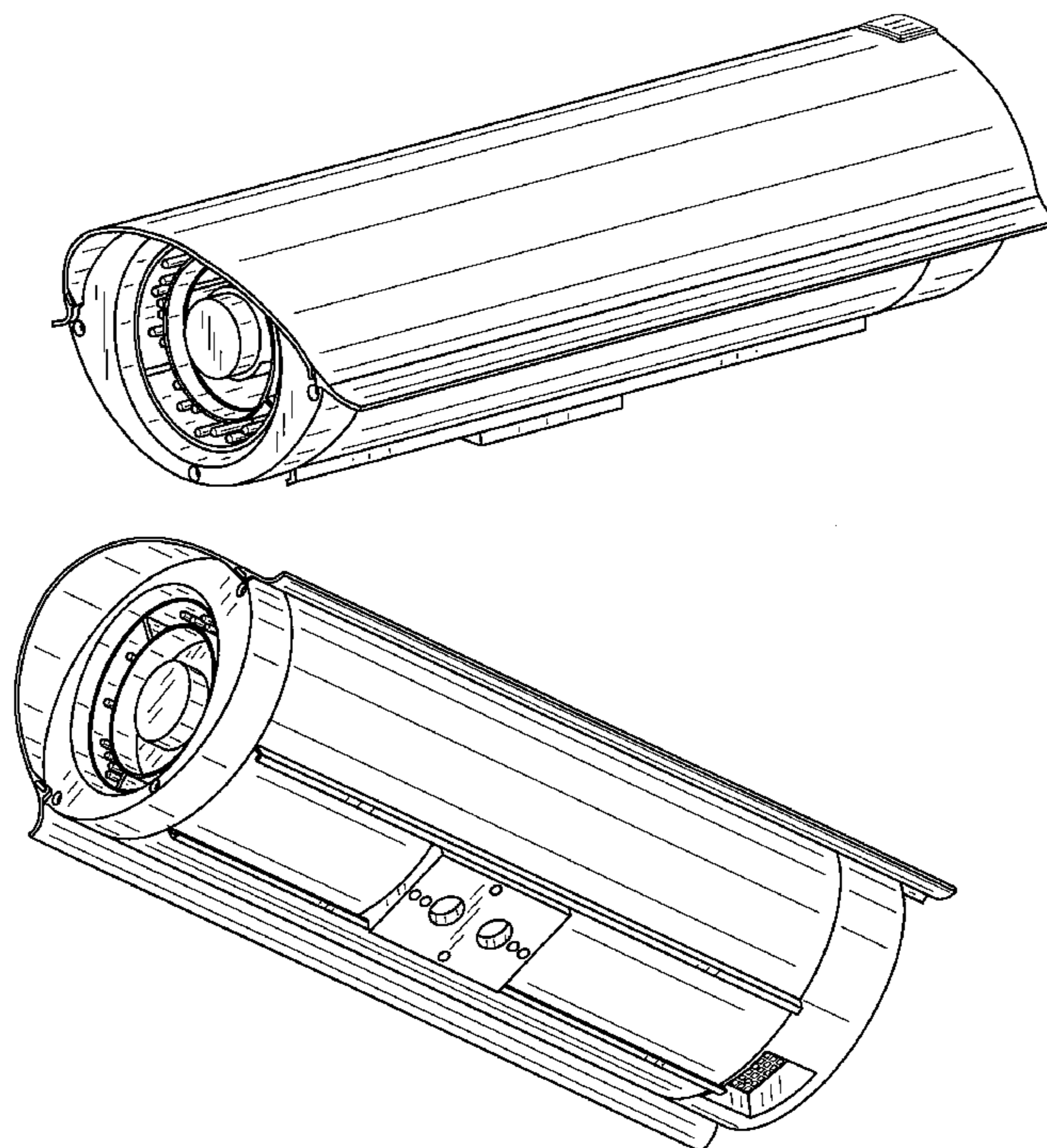
FIG. 6 is a left side elevational view thereof;

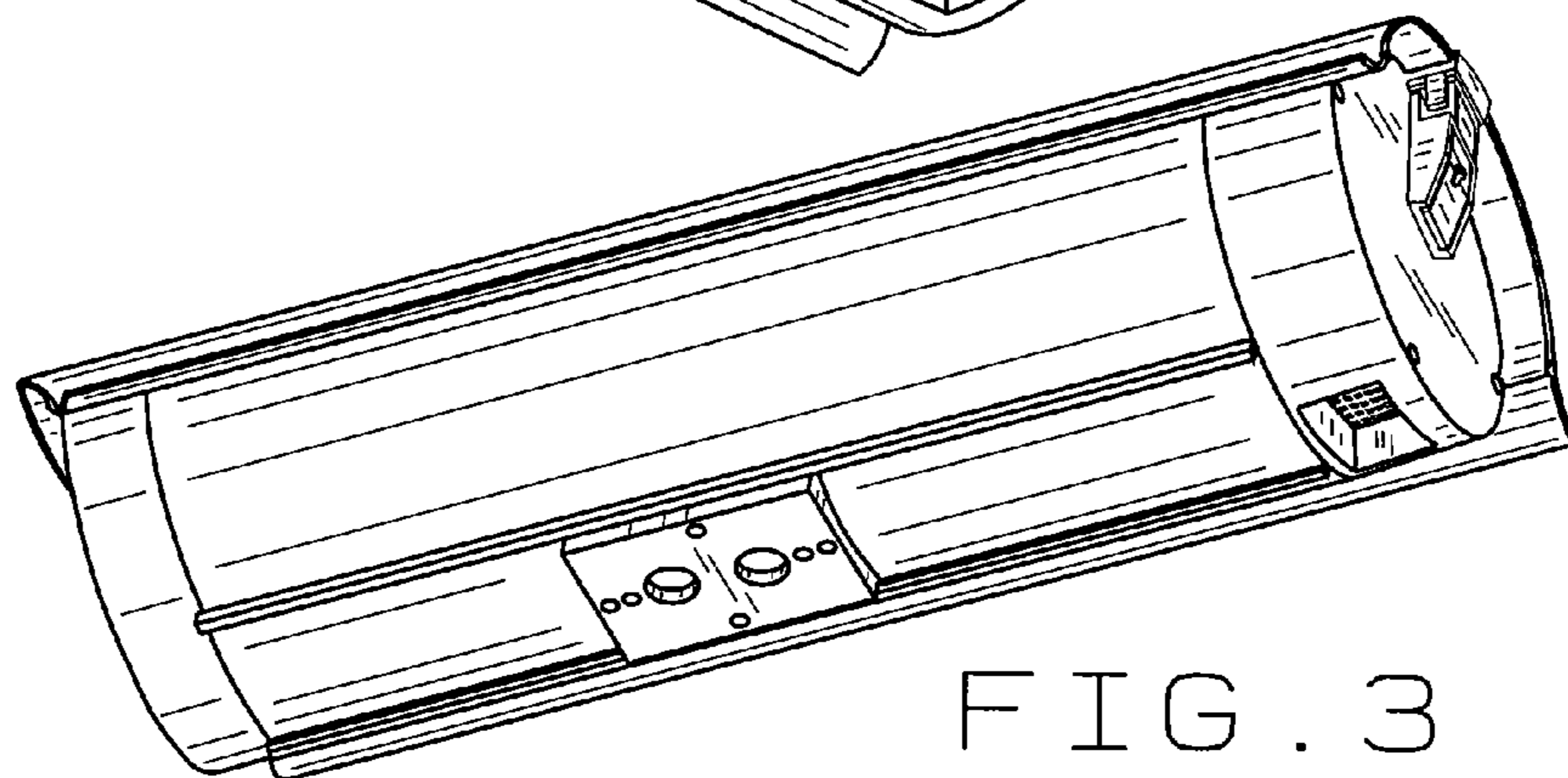
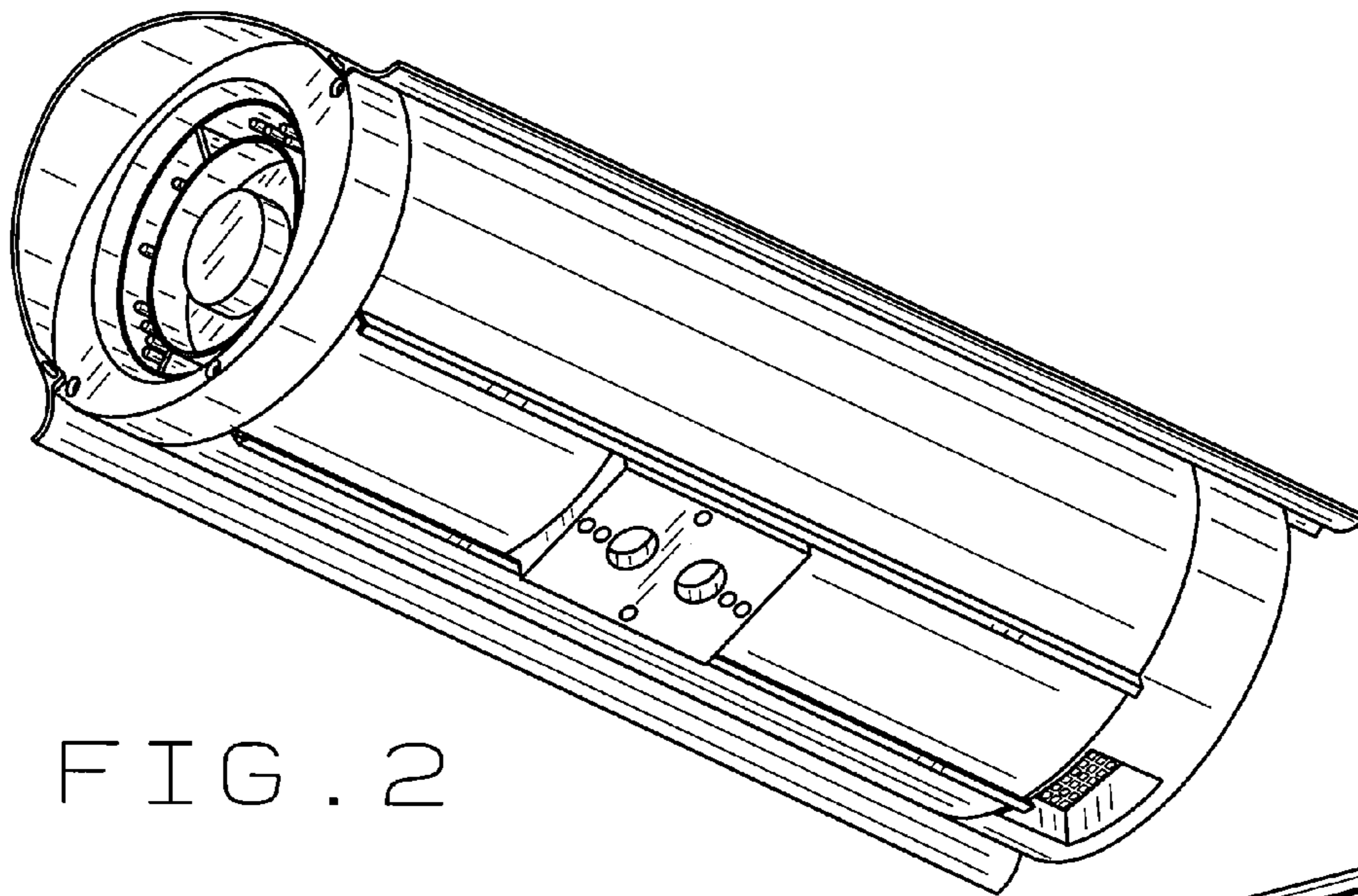
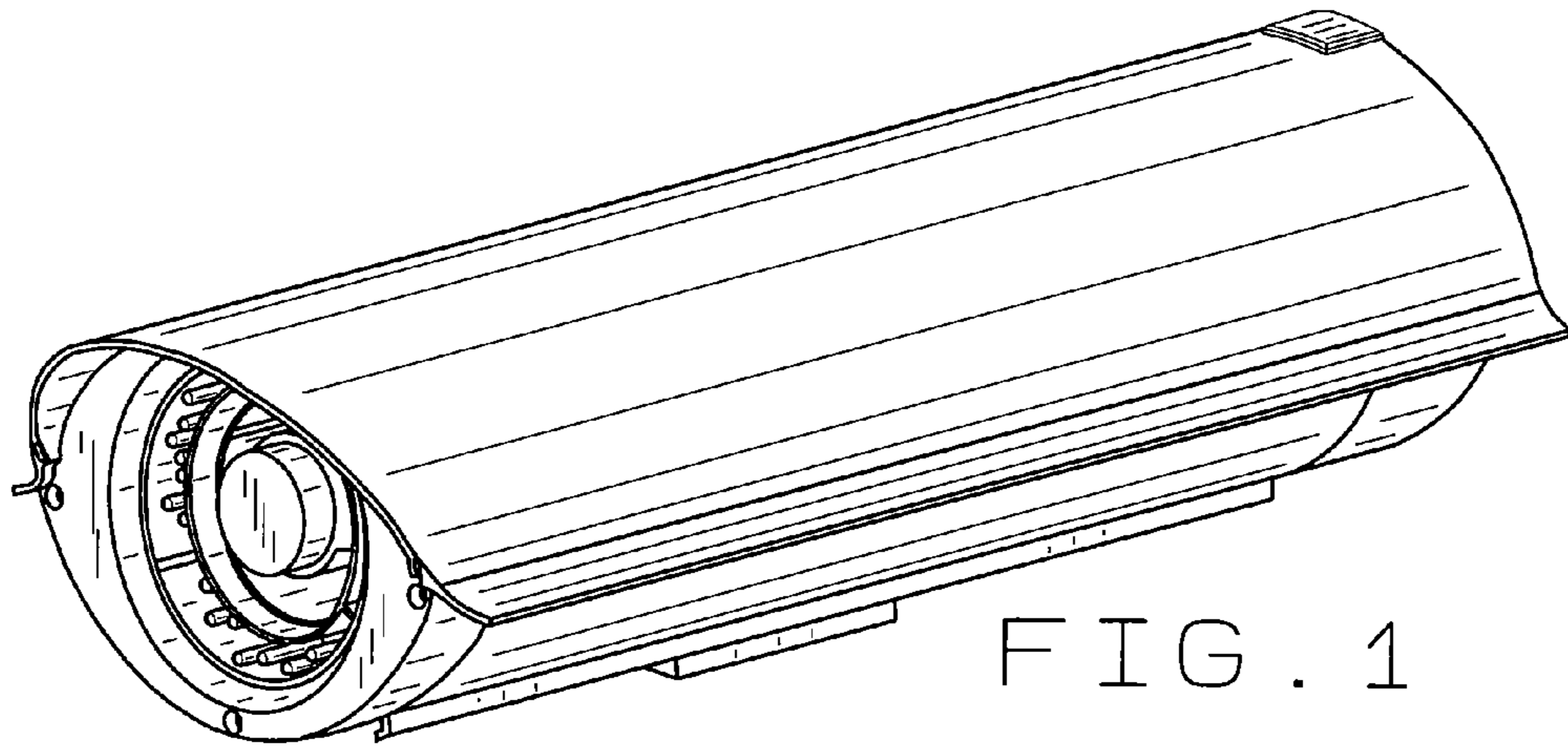
FIG. 7 is a right side elevational view thereof;

FIG. 8 is a top plan view thereof; and,

FIG. 9 is a bottom plan view thereof.

1 Claim, 4 Drawing Sheets





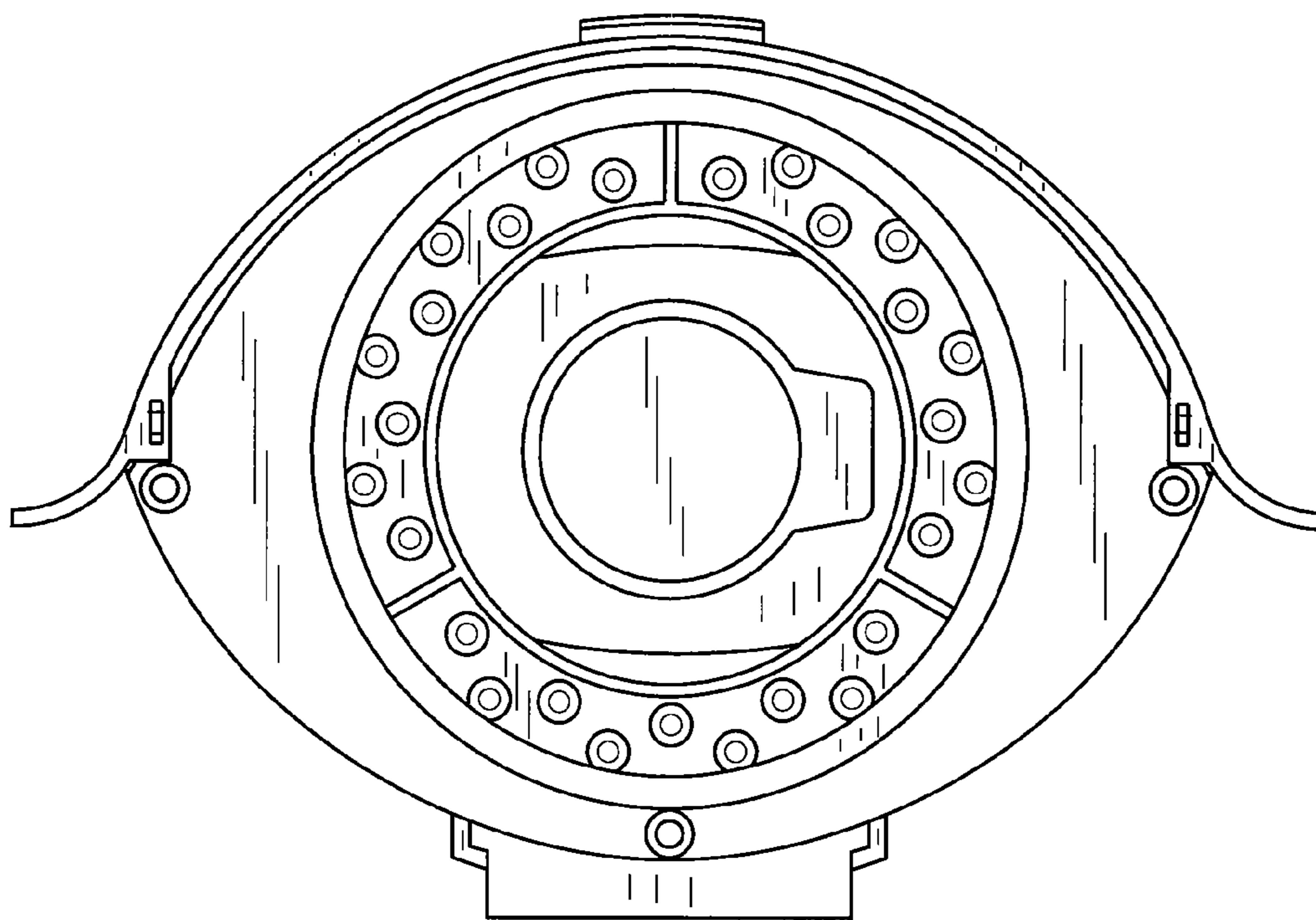


FIG. 4

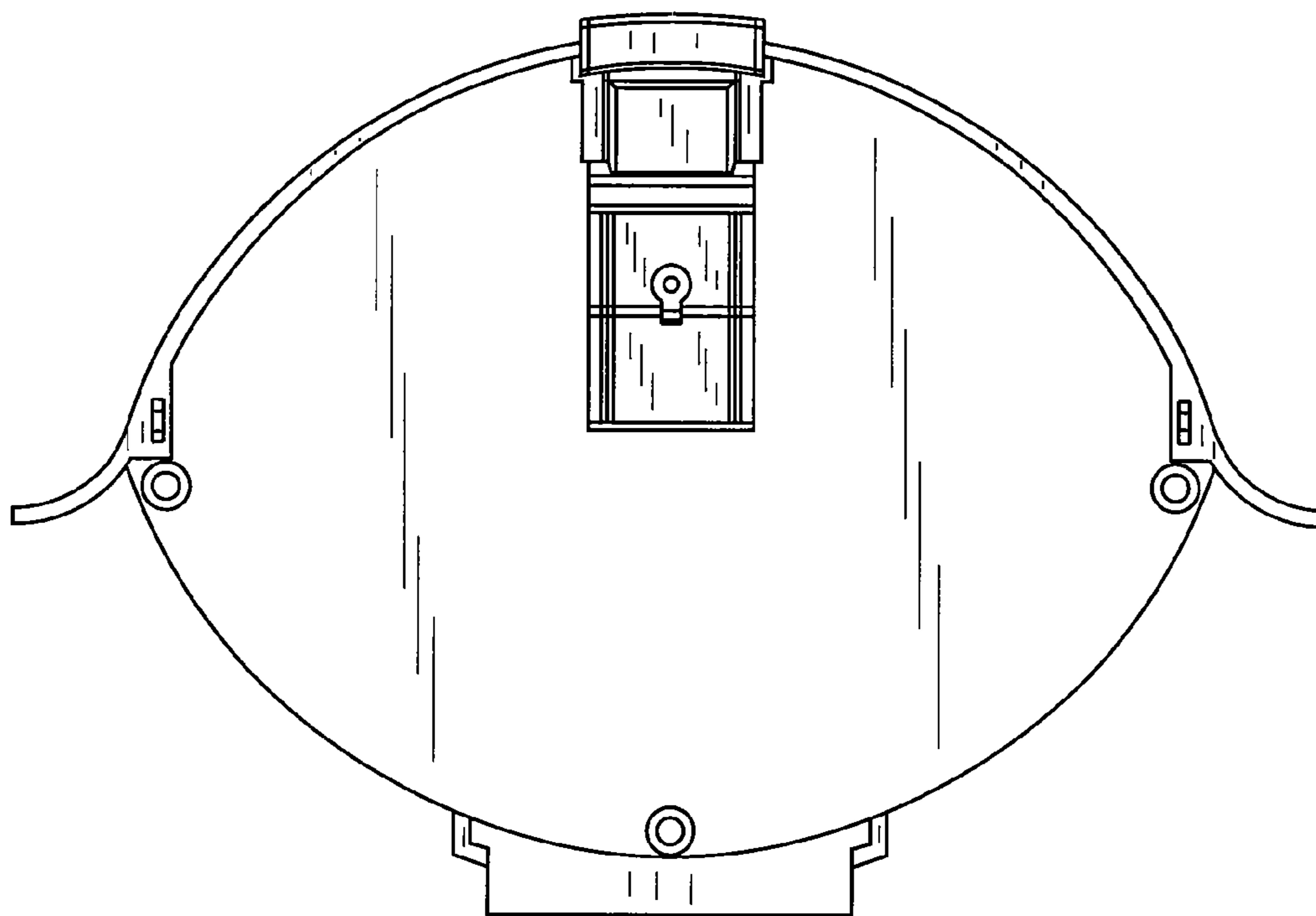


FIG. 5

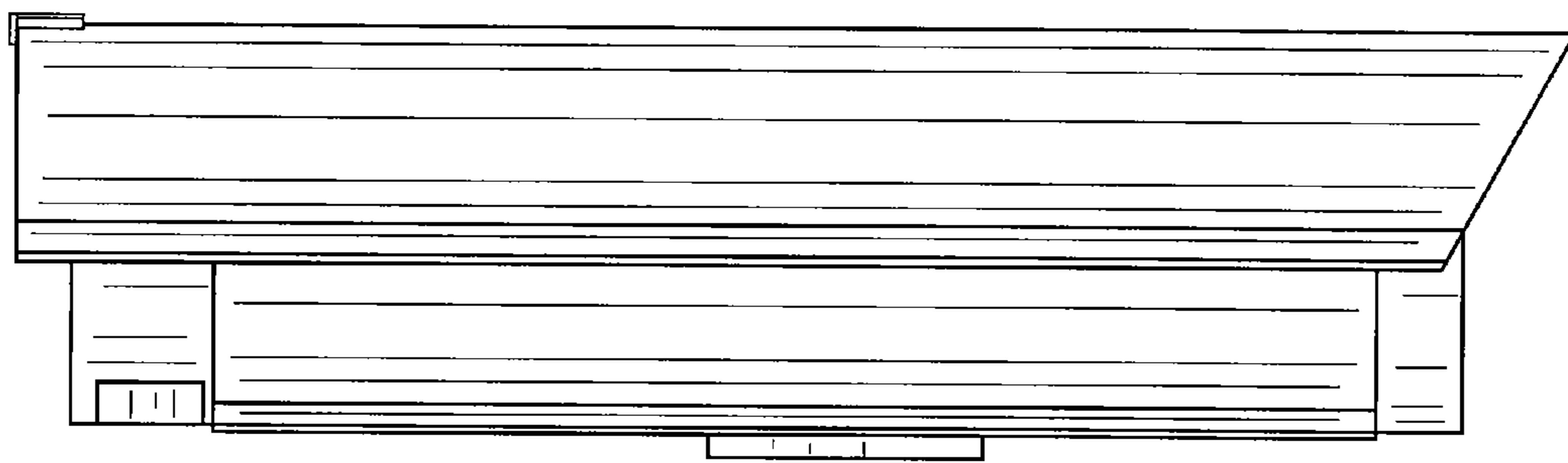


FIG. 6

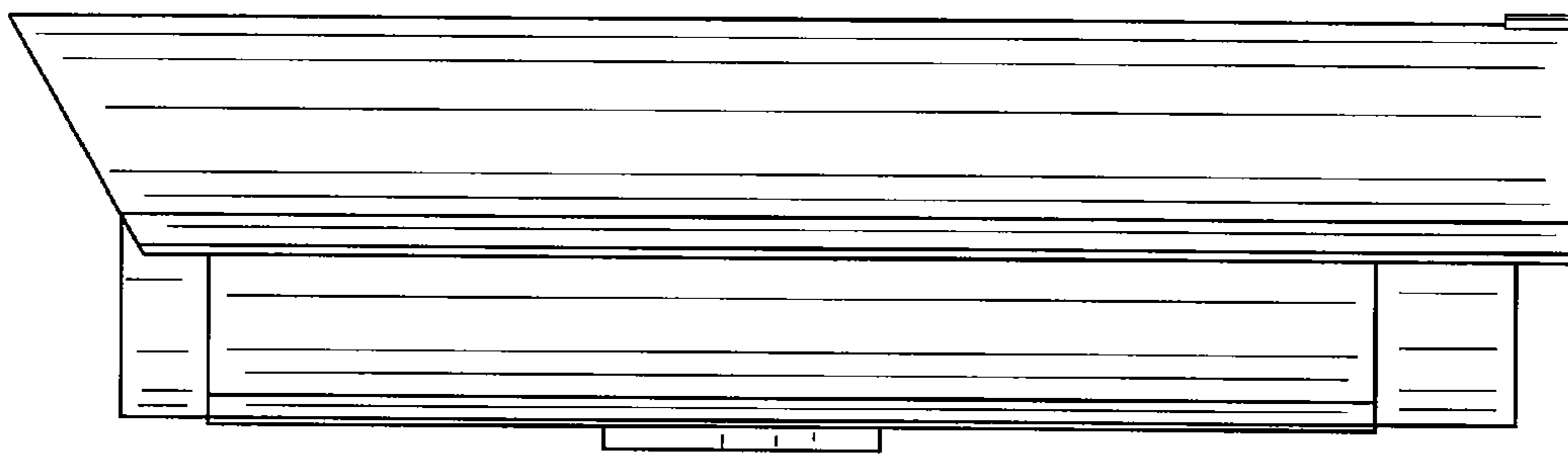


FIG. 7

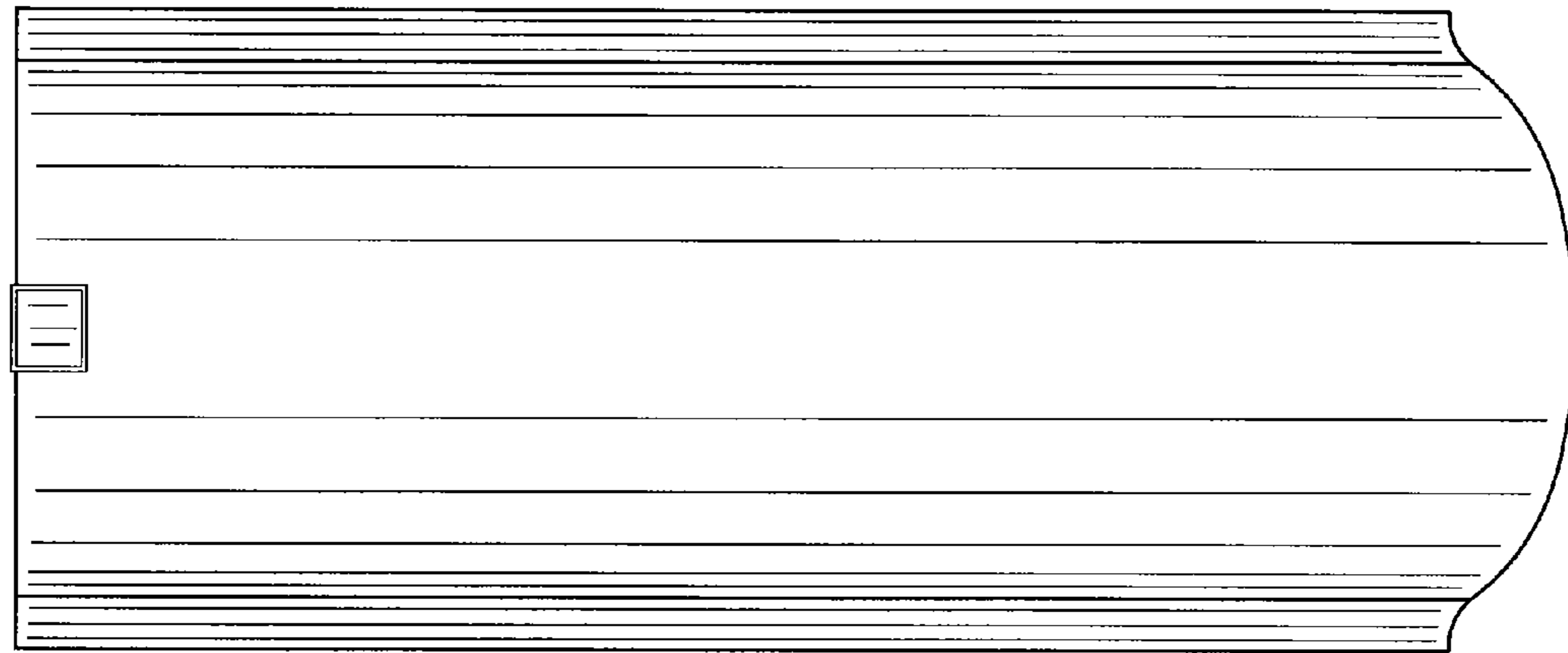


FIG. 8

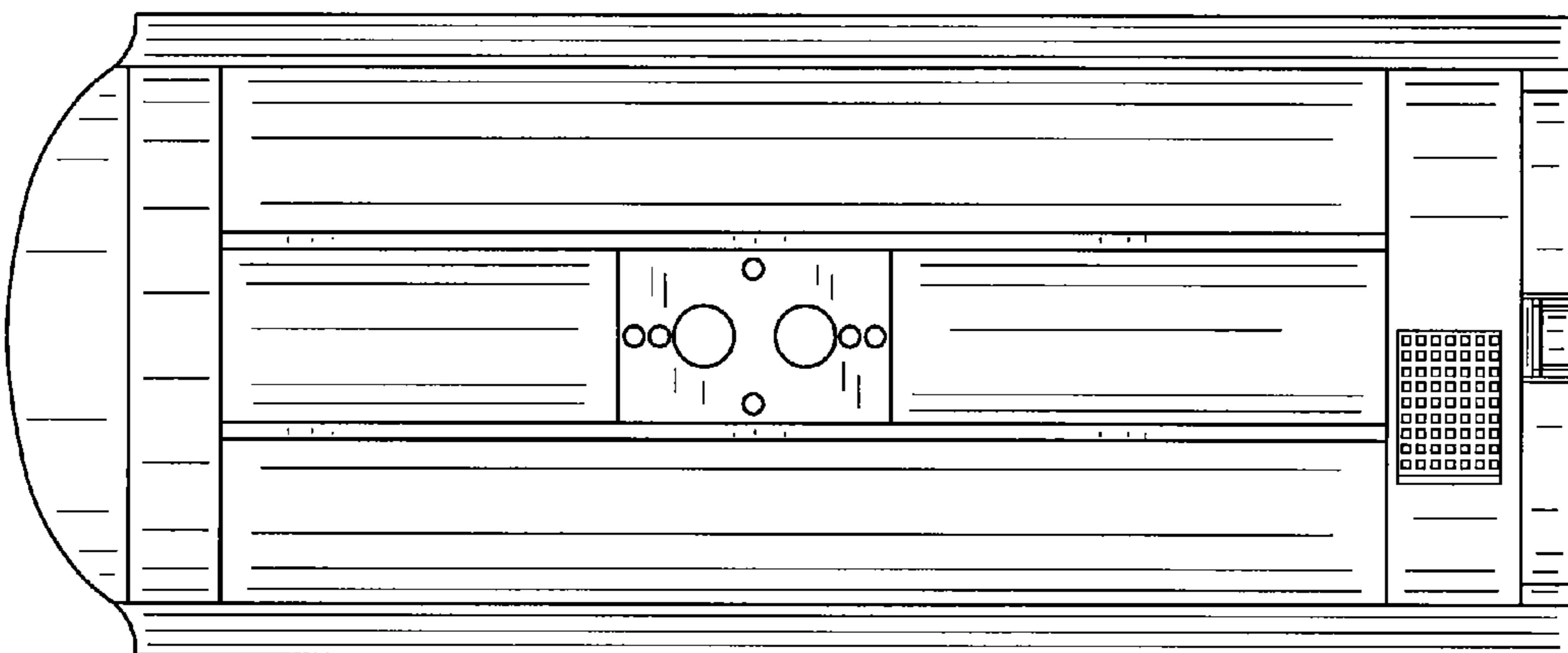


FIG. 9