



US00D578560S

(12) **United States Design Patent**  
**Hsia**

(10) **Patent No.:** **US D578,560 S**  
(45) **Date of Patent:** **\*\* Oct. 14, 2008**

(54) **REMOTE WIRELESS CAMERA**

(75) Inventor: **Chorng-Guang Hsia**, Saratoga, CA  
(US)

(73) Assignee: **Team Research, Inc.**, San Jose, CA  
(US)

(\*\*) Term: **14 Years**

(21) Appl. No.: **29/250,447**

(22) Filed: **Nov. 14, 2006**

(51) **LOC (8) Cl.** ..... **16-01**

(52) **U.S. Cl.** ..... **D16/203**

(58) **Field of Classification Search** ..... D16/200–206,  
D16/208, 213, 218–219; D26/46, 49, 24,  
D26/63; 348/143, 373–376, 211.2, 211.14,  
348/211.99; 358/906, 909.1; 396/427, 433,  
396/419, 428, 535–541; 362/612, 800  
See application file for complete search history.

(56) **References Cited**

U.S. PATENT DOCUMENTS

2,982,848	A *	5/1961	Rosenberg	.....	D26/63
5,224,675	A *	7/1993	Ellenberger et al.	.....	396/427
D349,714	S *	8/1994	Hasegawa	.....	D16/203
D497,928	S *	11/2004	Cheng-Yuan	.....	D16/203
D500,511	S *	1/2005	Sybilrud	.....	D16/203
D511,181	S *	11/2005	Huang et al.	.....	D16/202
D545,858	S *	7/2007	Li	.....	D16/202

D550,738	S *	9/2007	Hsia	.....	D16/203
D554,171	S *	10/2007	Deng	.....	D16/203
2006/0012685	A1 *	1/2006	Gannon	.....	348/211.2
2006/0077285	A1 *	4/2006	Cheng	.....	348/373

\* cited by examiner

*Primary Examiner*—Ian Simmons

*Assistant Examiner*—Wan Laymon

(74) *Attorney, Agent, or Firm*—Roger Chu

(57) **CLAIM**

The ornamental design for a remote wireless camera, as shown and described.

**DESCRIPTION**

FIG. 1 is a front and left side perspective view of a remote wireless camera showing my new design;

FIG. 2 is a rear and left side perspective view thereof;

FIG. 3 is a left side elevation view thereof;

FIG. 4 is a right side elevation view thereof;

FIG. 5 is a front elevation view of thereof;

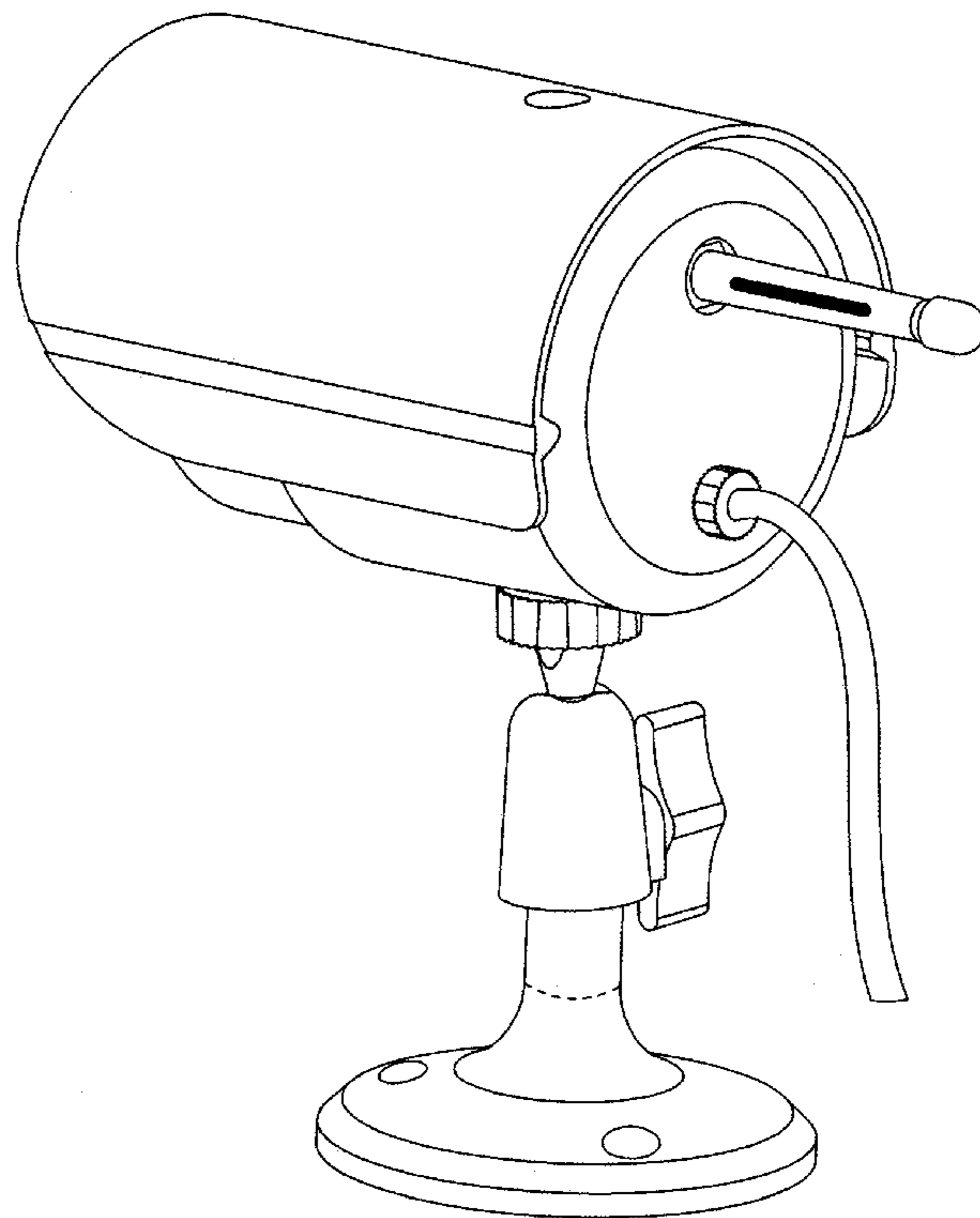
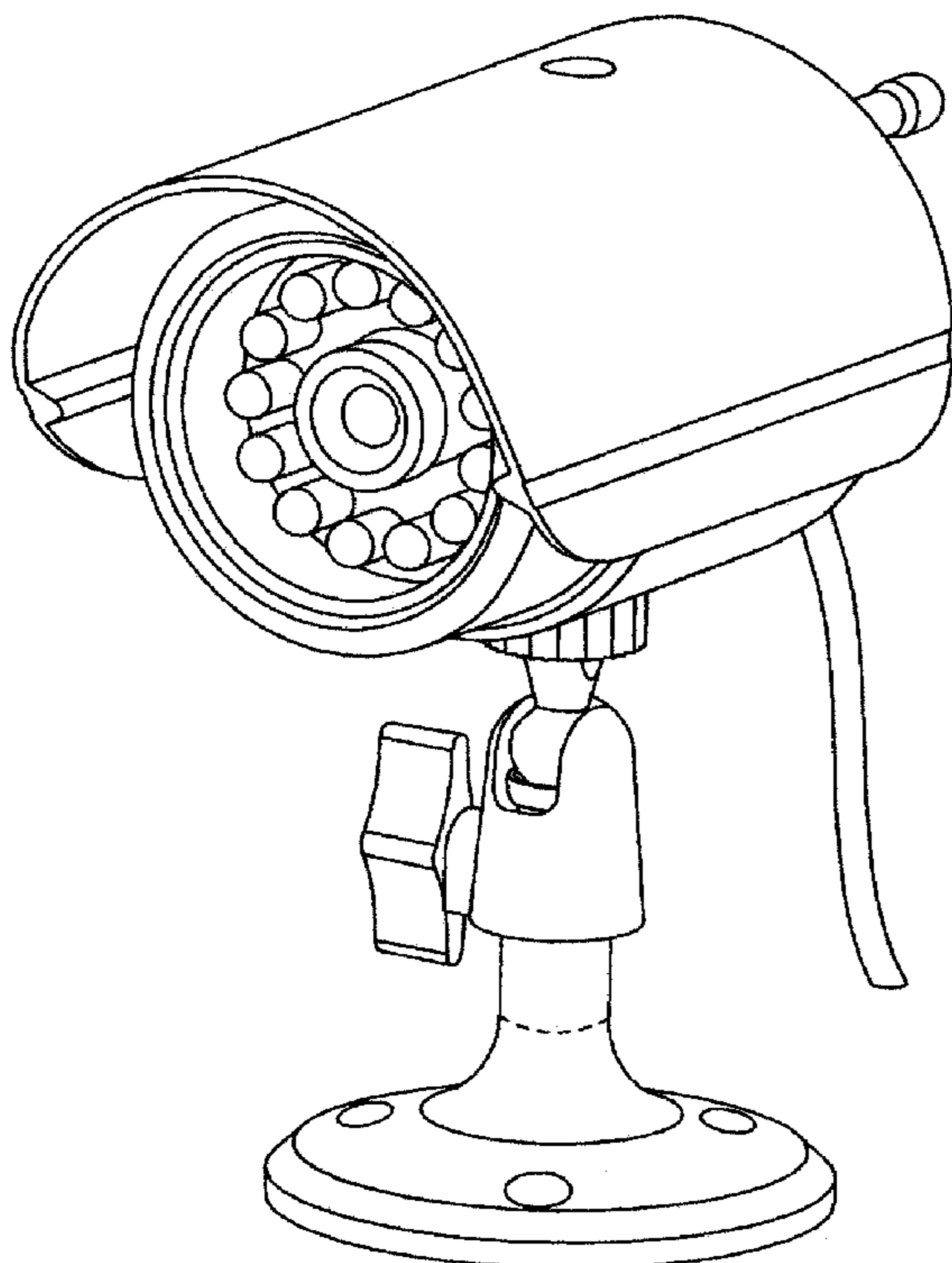
FIG. 6 is a rear elevation view thereof;

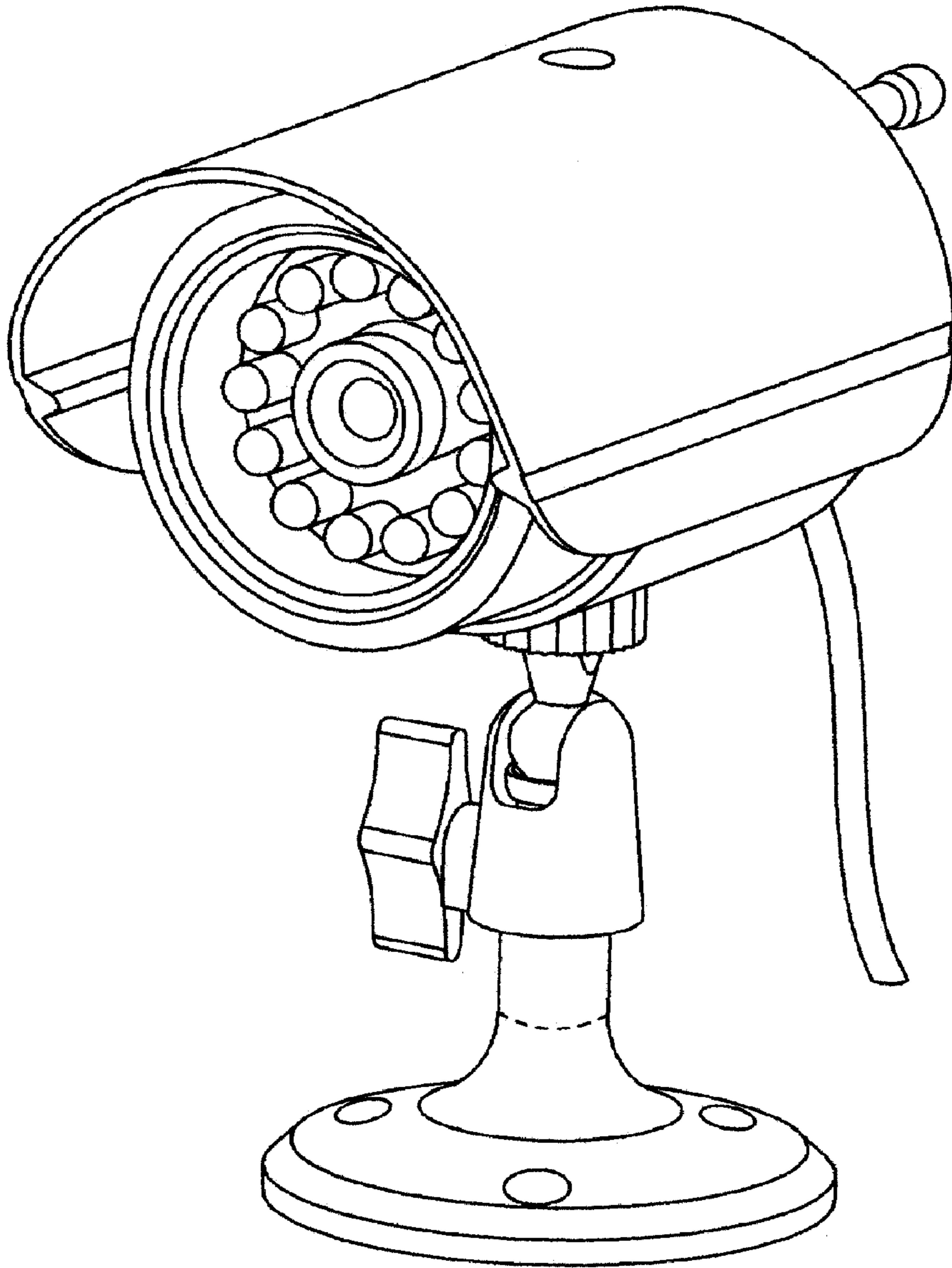
FIG. 7 is a top plan view thereof; and,

FIG. 8 is a bottom plan view thereof.

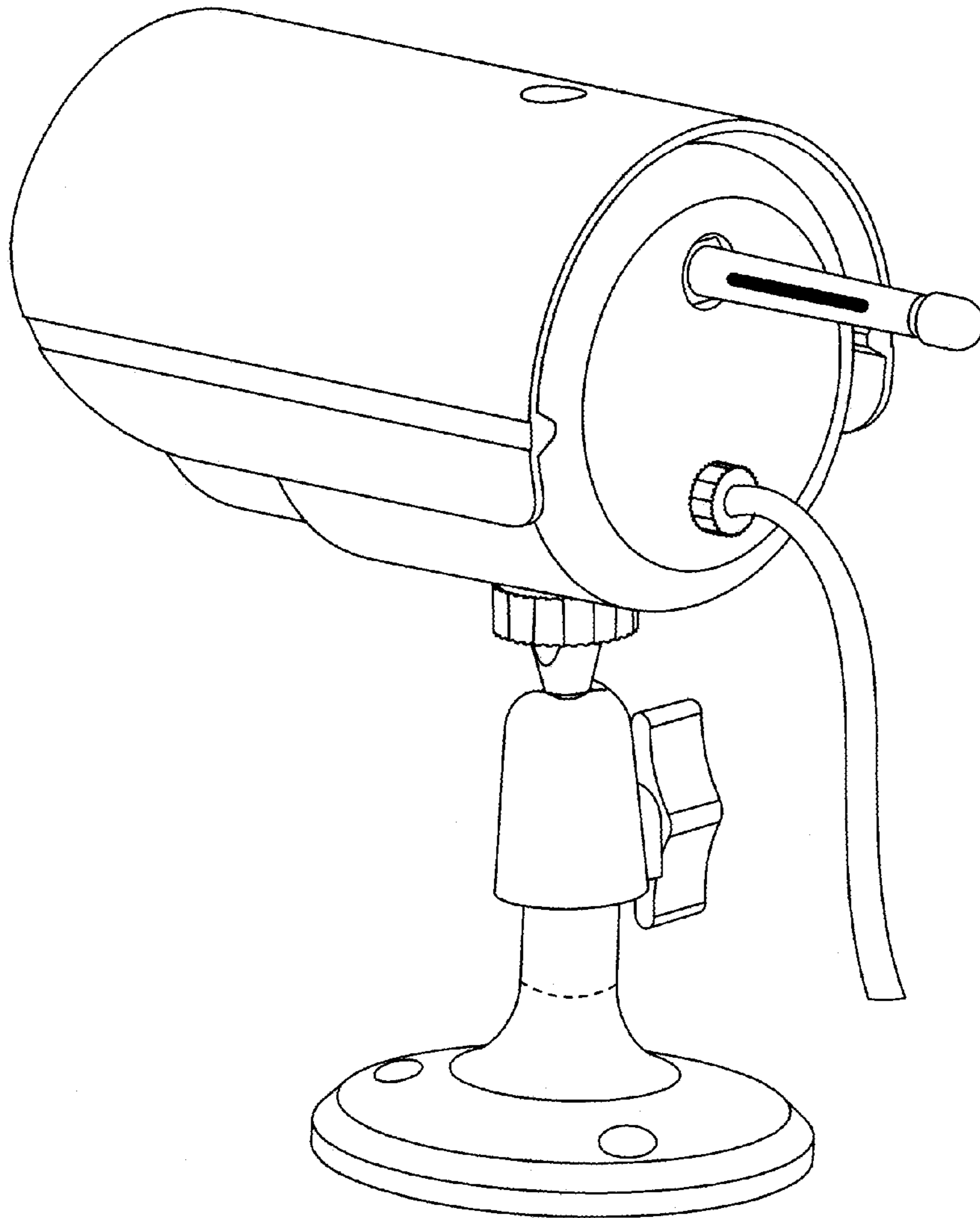
The broken lines in the Figures are for illustrative purposes only and form no part of the claimed design.

**1 Claim, 7 Drawing Sheets**

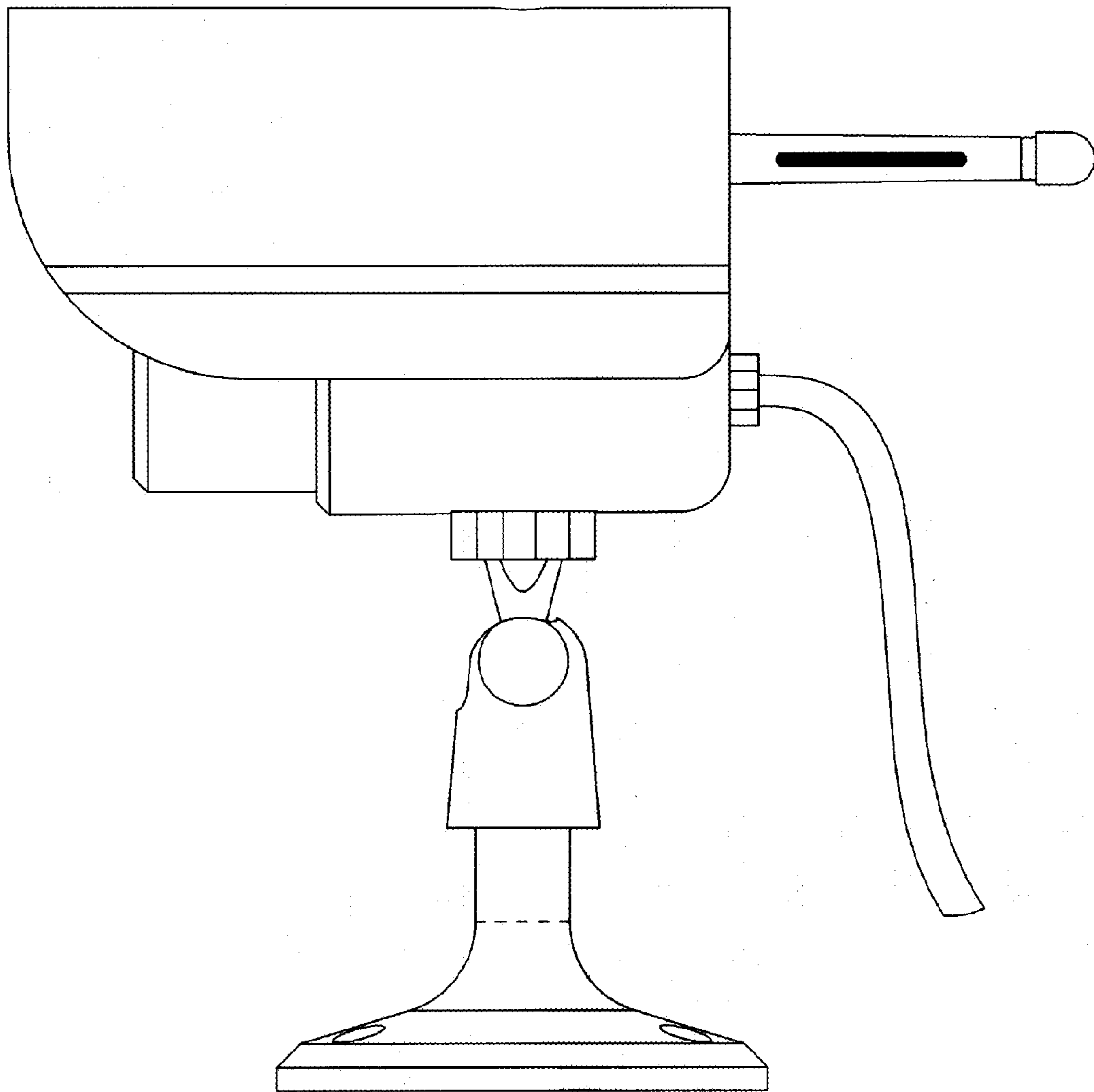




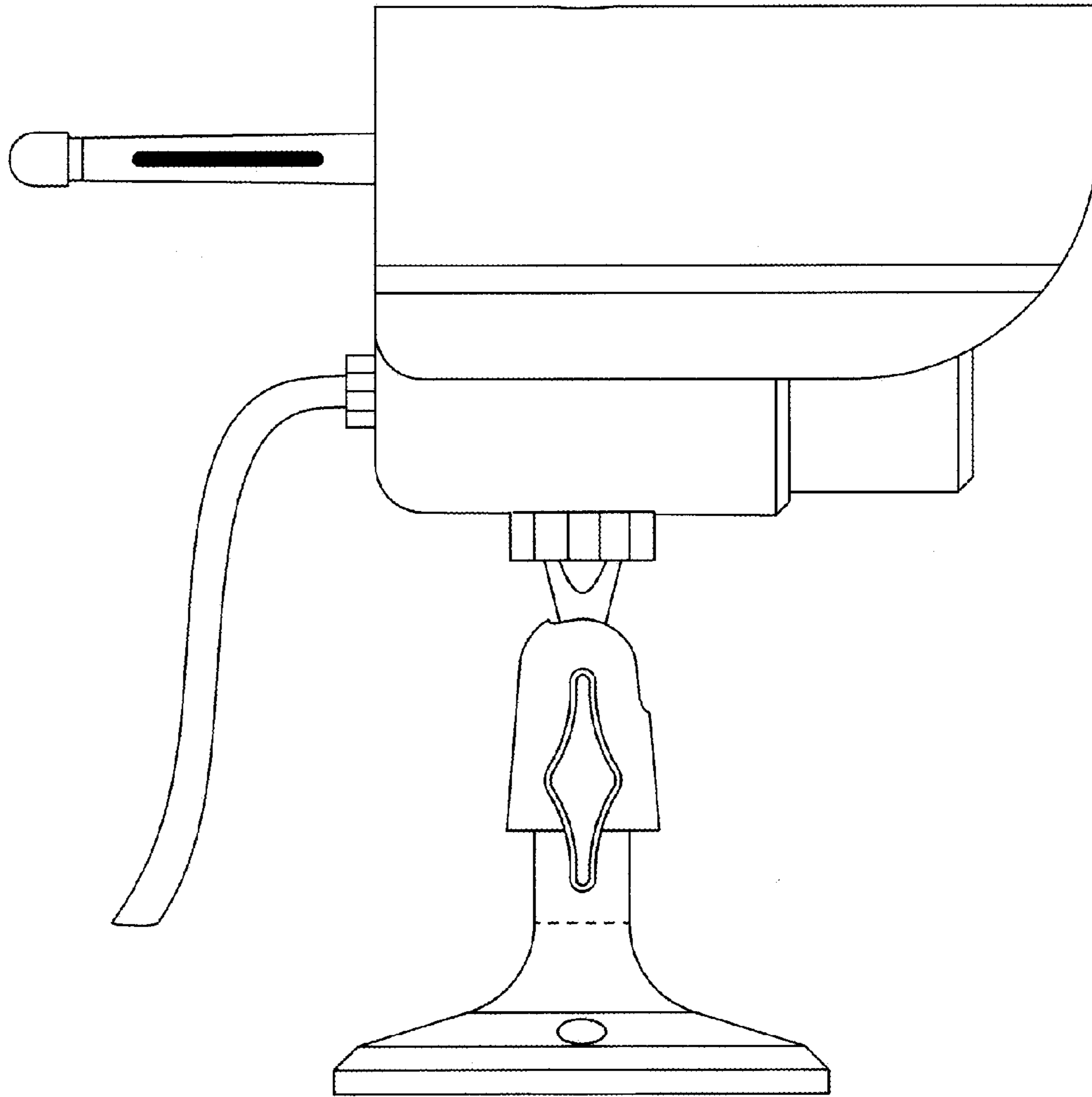
**FIG. 1**



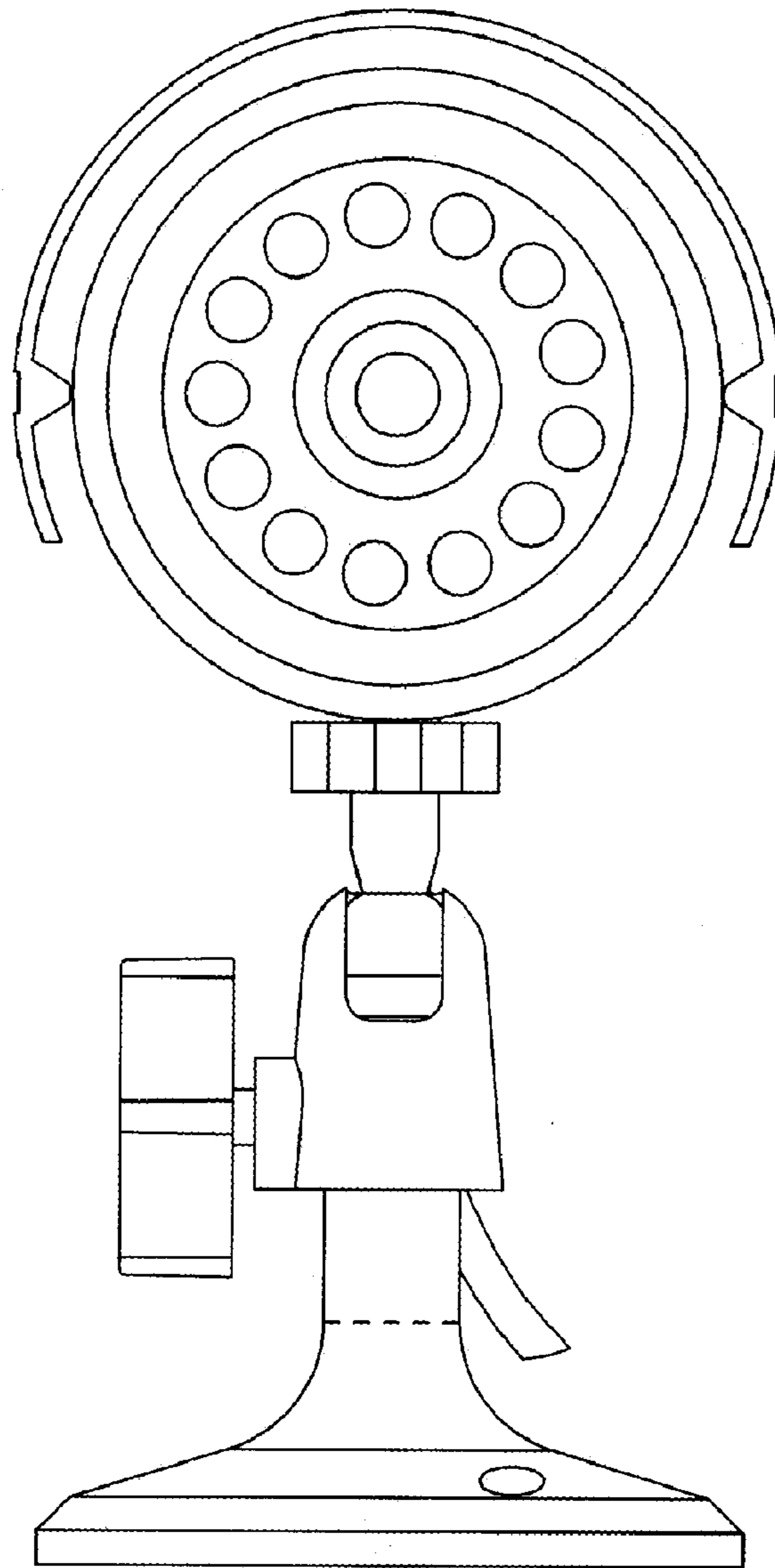
**FIG. 2**



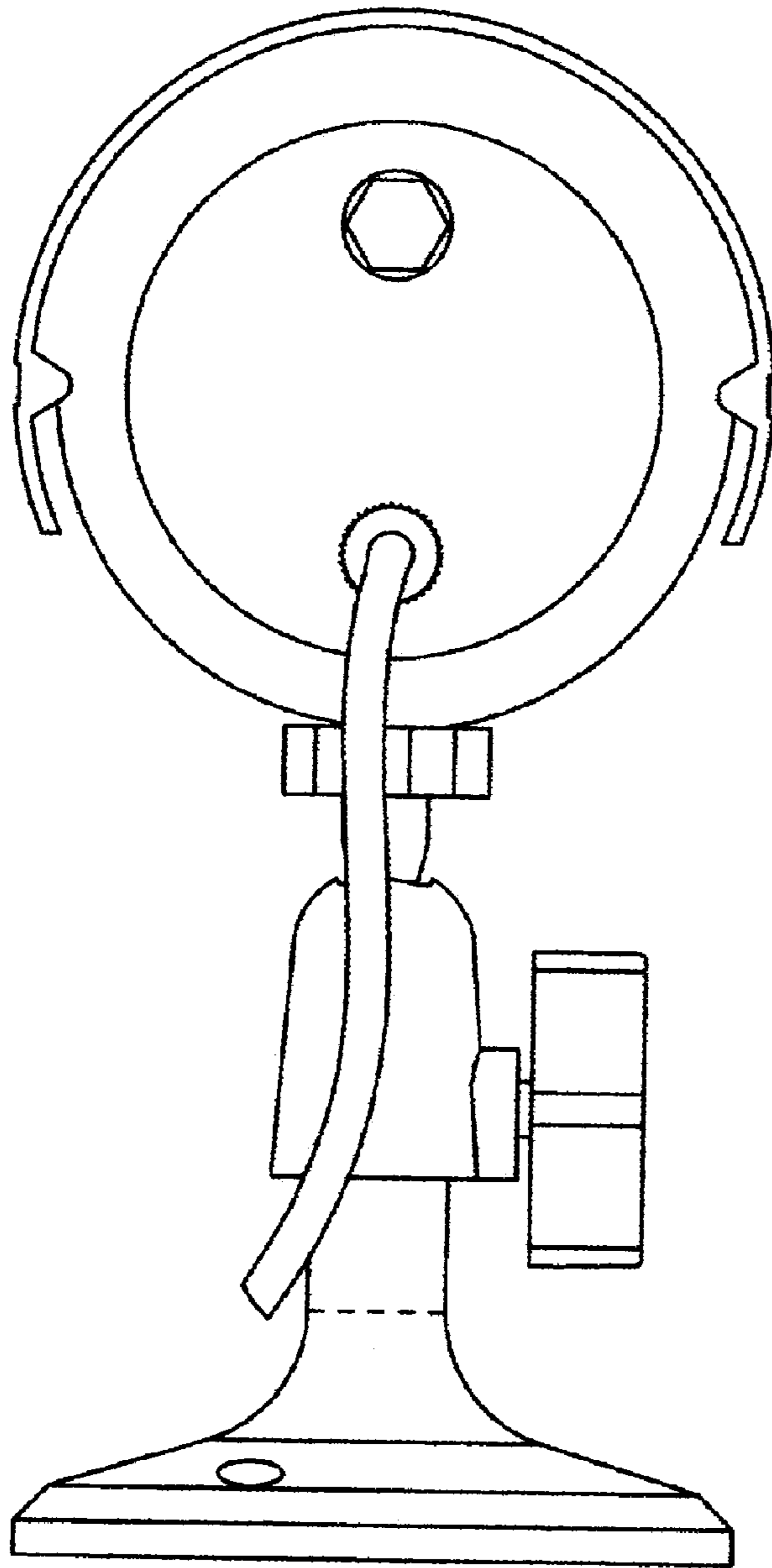
**FIG. 3**



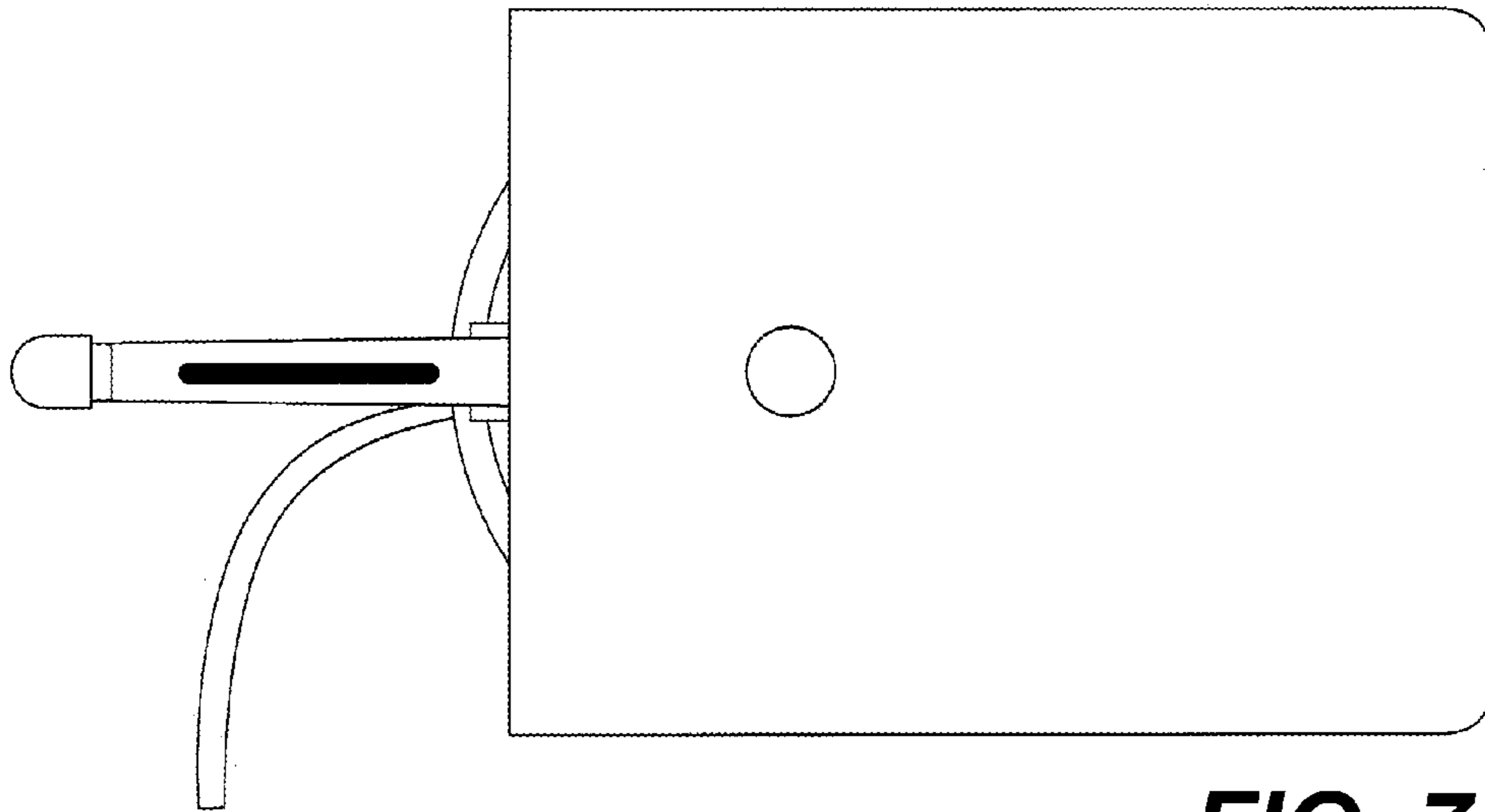
**FIG. 4**



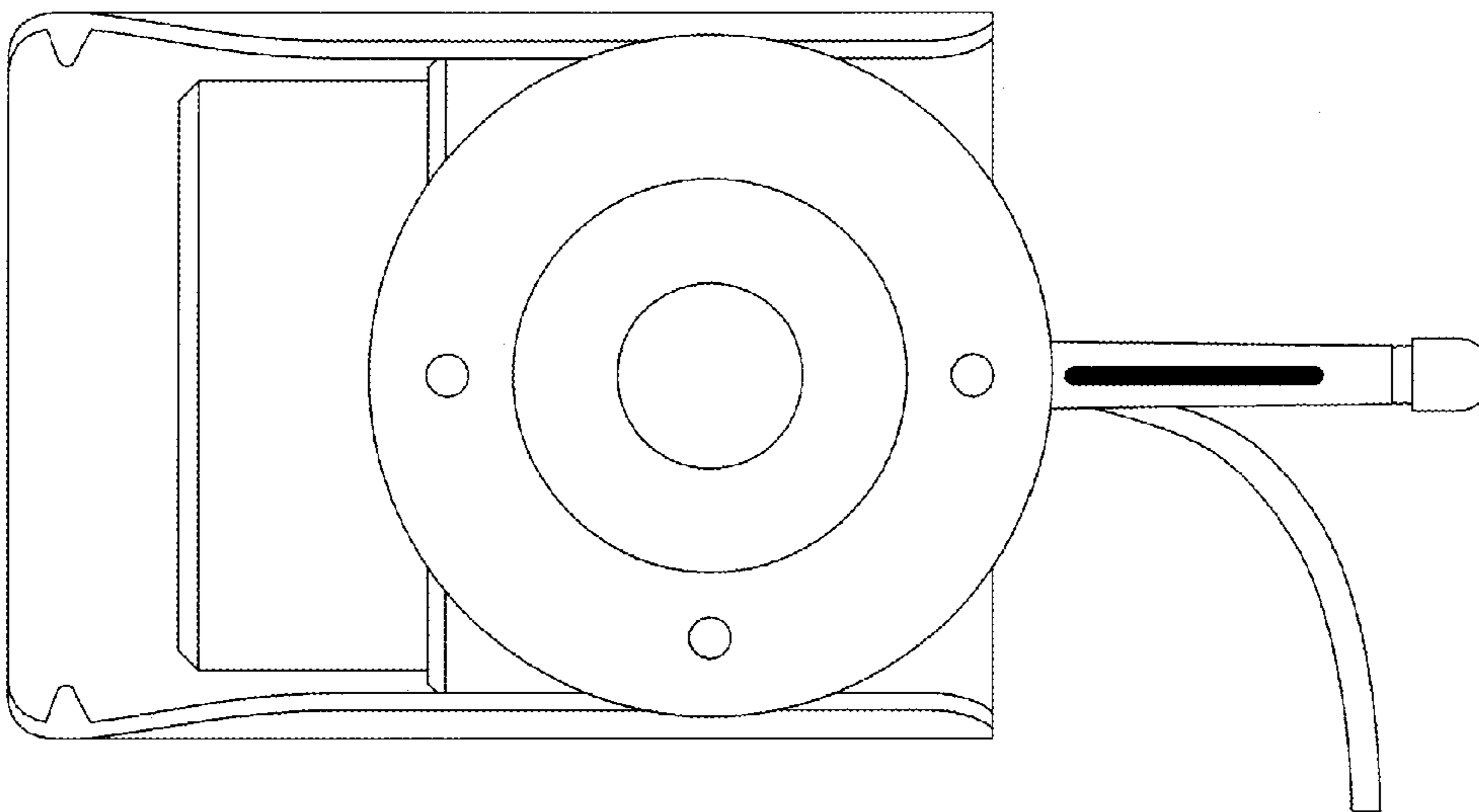
**FIG. 5**



**FIG. 6**



**FIG. 7**



**FIG. 8**