



US00D578554S

(12) **United States Design Patent**
Inada

(10) **Patent No.:** **US D578,554 S**
(45) **Date of Patent:** **** Oct. 14, 2008**

(54) **SEWING MACHINE**

(75) Inventor: **Toshiya Inada**, Nagoya (JP)

(73) Assignee: **Brother Industries, Ltd.**, Nagoya (JP)

(**) Term: **14 Years**

(21) Appl. No.: **29/290,742**

(22) Filed: **Jan. 9, 2008**

(30) **Foreign Application Priority Data**

Jul. 25, 2007 (JP) 2007-020199

(51) **LOC (8) Cl.** **15-06**

(52) **U.S. Cl.** **D15/70**

(58) **Field of Classification Search** D15/66-71,
D15/77; D21/527; 112/2, 78, 154, 475.01
See application file for complete search history.

(56) **References Cited**

U.S. PATENT DOCUMENTS

D403,333 S *	12/1998	Takada et al.	D15/70
D450,720 S *	11/2001	Kuroki	D15/69
D481,739 S *	11/2003	Iwai	D15/69
D504,692 S *	5/2005	Kuroki	D15/69
D515,110 S *	2/2006	Kuroki	D15/70
D520,027 S *	5/2006	Kuroki	D15/69

D523,876 S *	6/2006	Egami	D15/69
D526,337 S *	8/2006	Kuroki	D15/70
D568,908 S *	5/2008	Gustafsson	D15/70
D569,394 S *	5/2008	Kawaguchi	D15/70

* cited by examiner

Primary Examiner—Stella M. Reid

Assistant Examiner—Shanda Hill

(74) *Attorney, Agent, or Firm*—Oliff & Berridge, PLC

(57) **CLAIM**

The ornamental design for a sewing machine, as shown and described.

DESCRIPTION

FIG. 1 is a perspective view of a sewing machine;

FIG. 2 is a front view thereof;

FIG. 3 is a top view thereof;

FIG. 4 is a right-side view thereof;

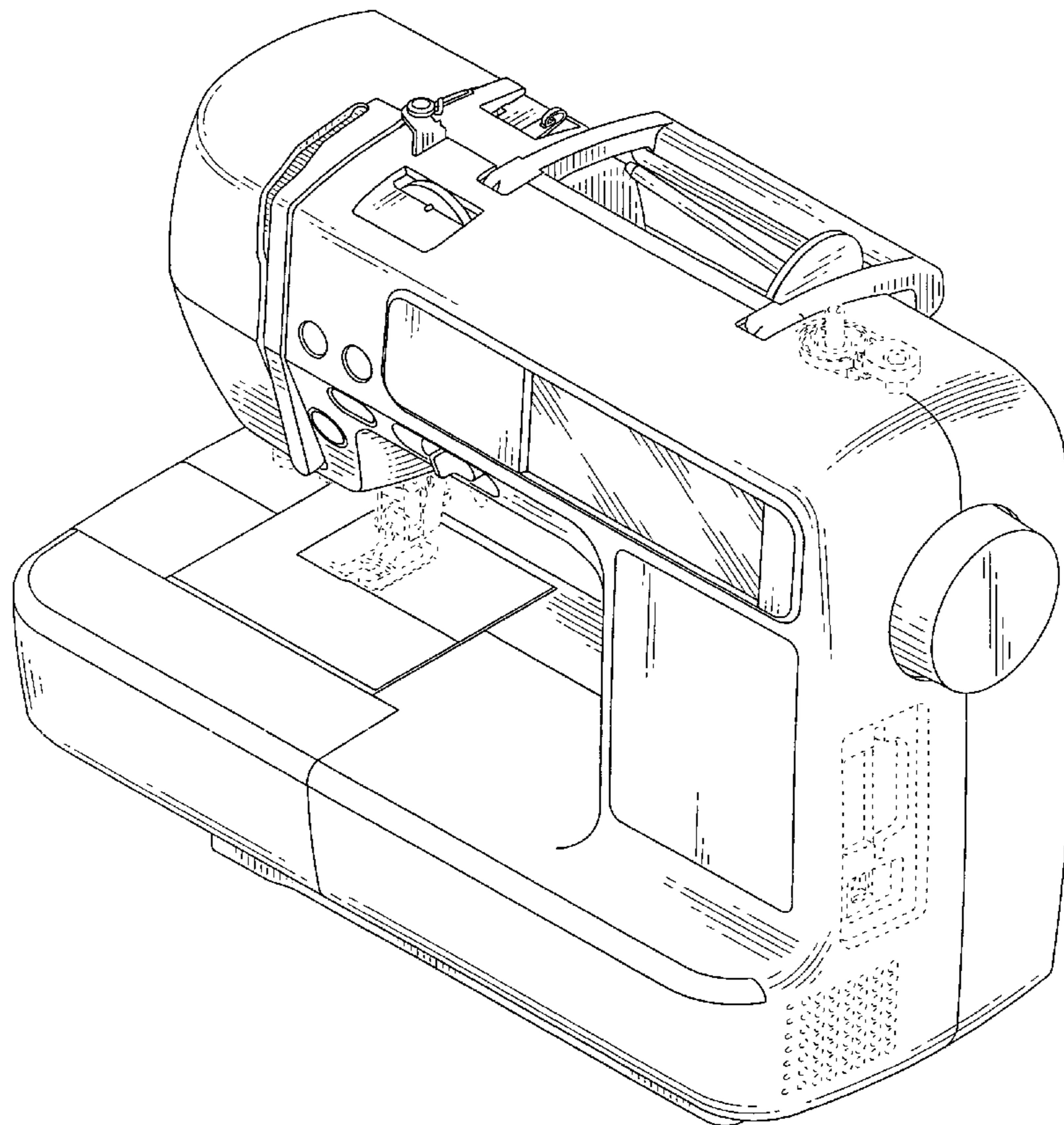
FIG. 5 is a left-side view thereof;

FIG. 6 is a rear view thereof; and,

FIG. 7 is a bottom view thereof.

The broken lines depict environmental subject matter only and form no part of the claimed design.

1 Claim, 6 Drawing Sheets



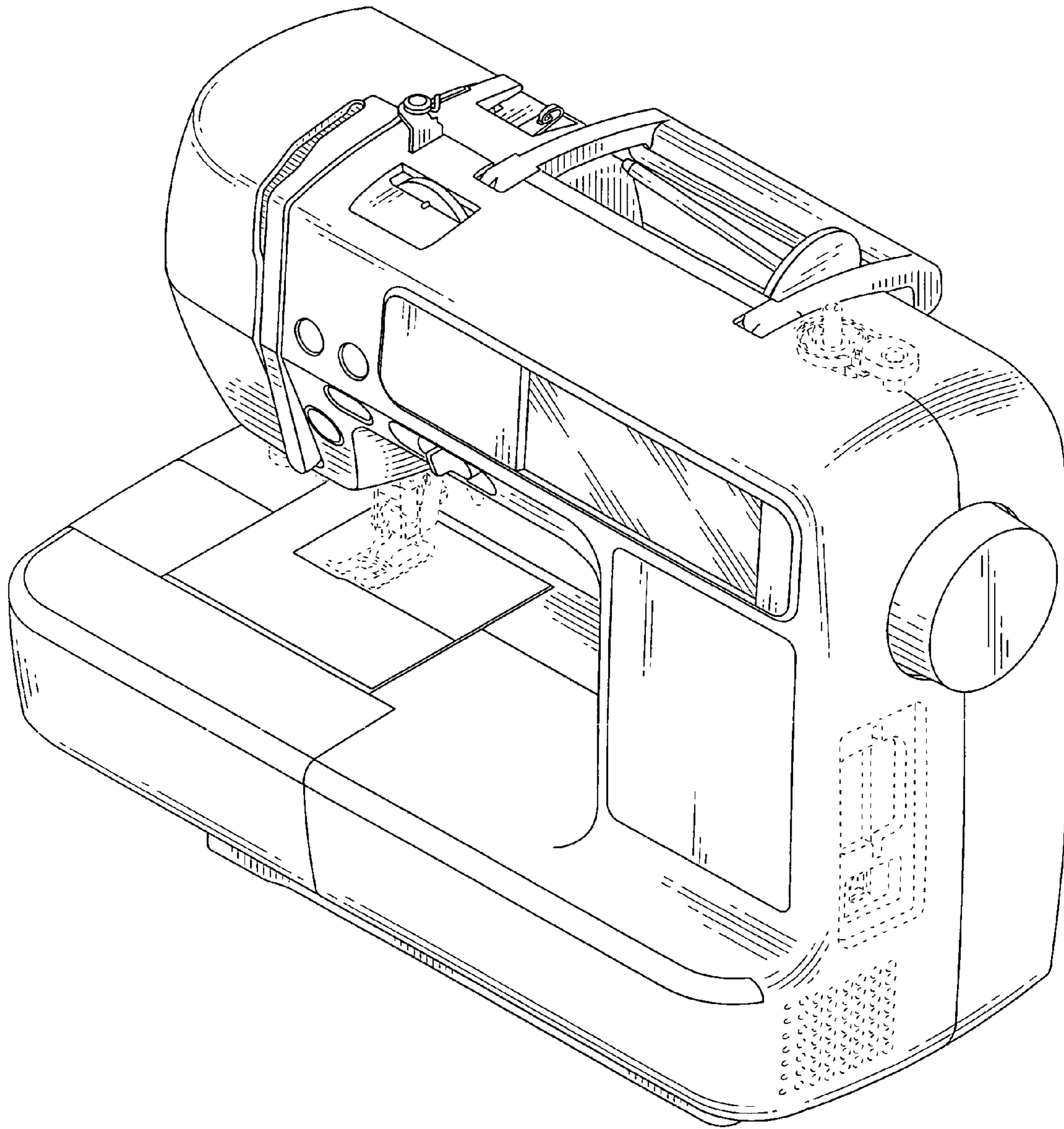


FIG. 1

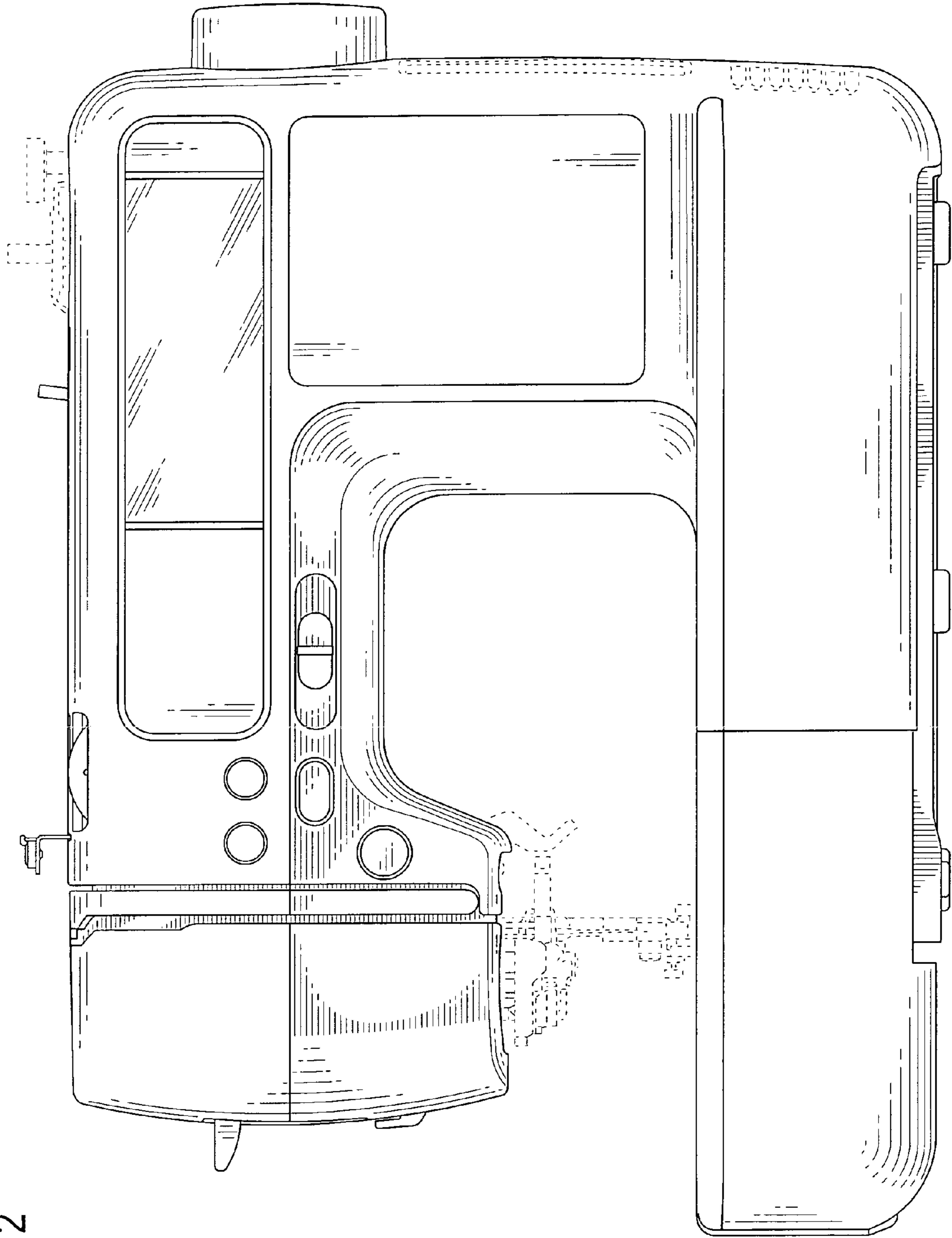


FIG. 2

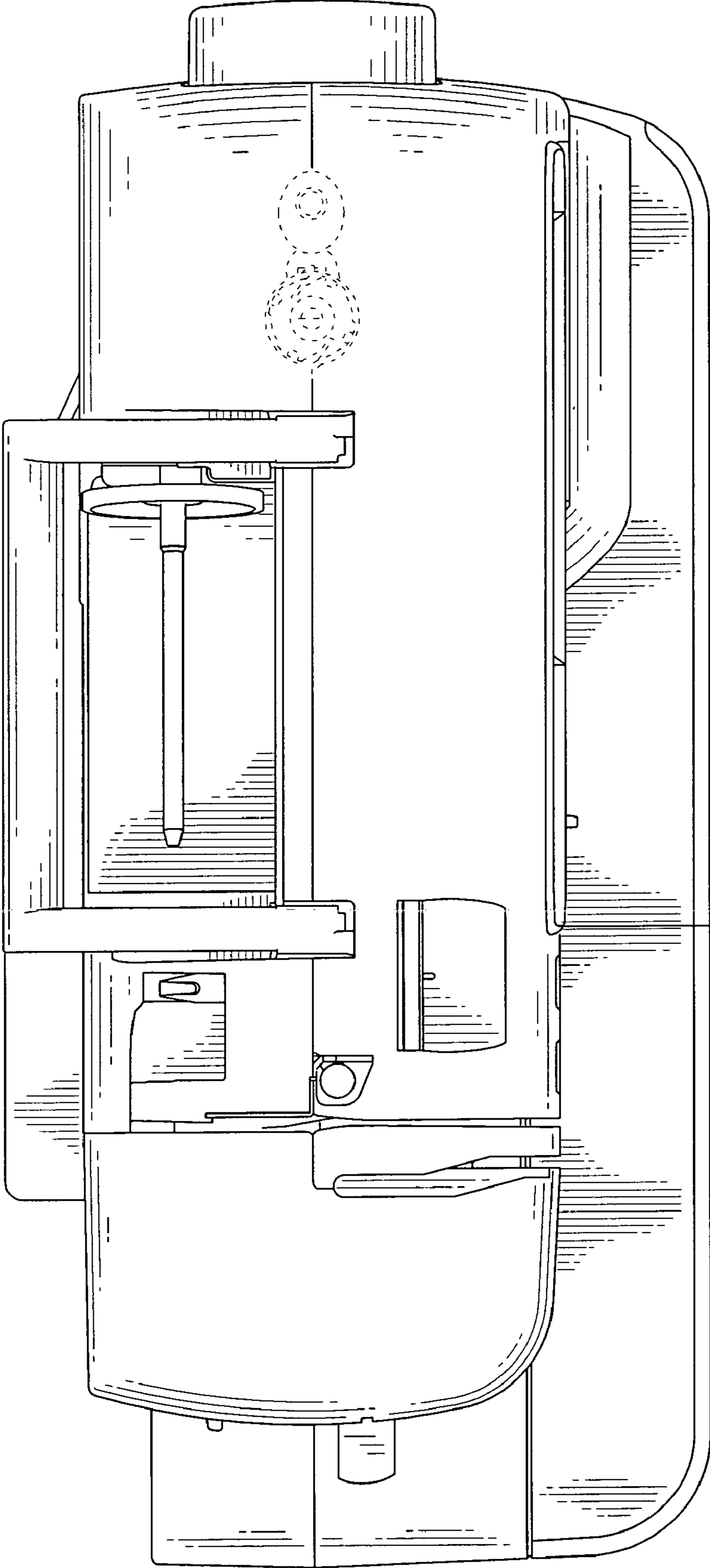


FIG. 3

FIG. 5

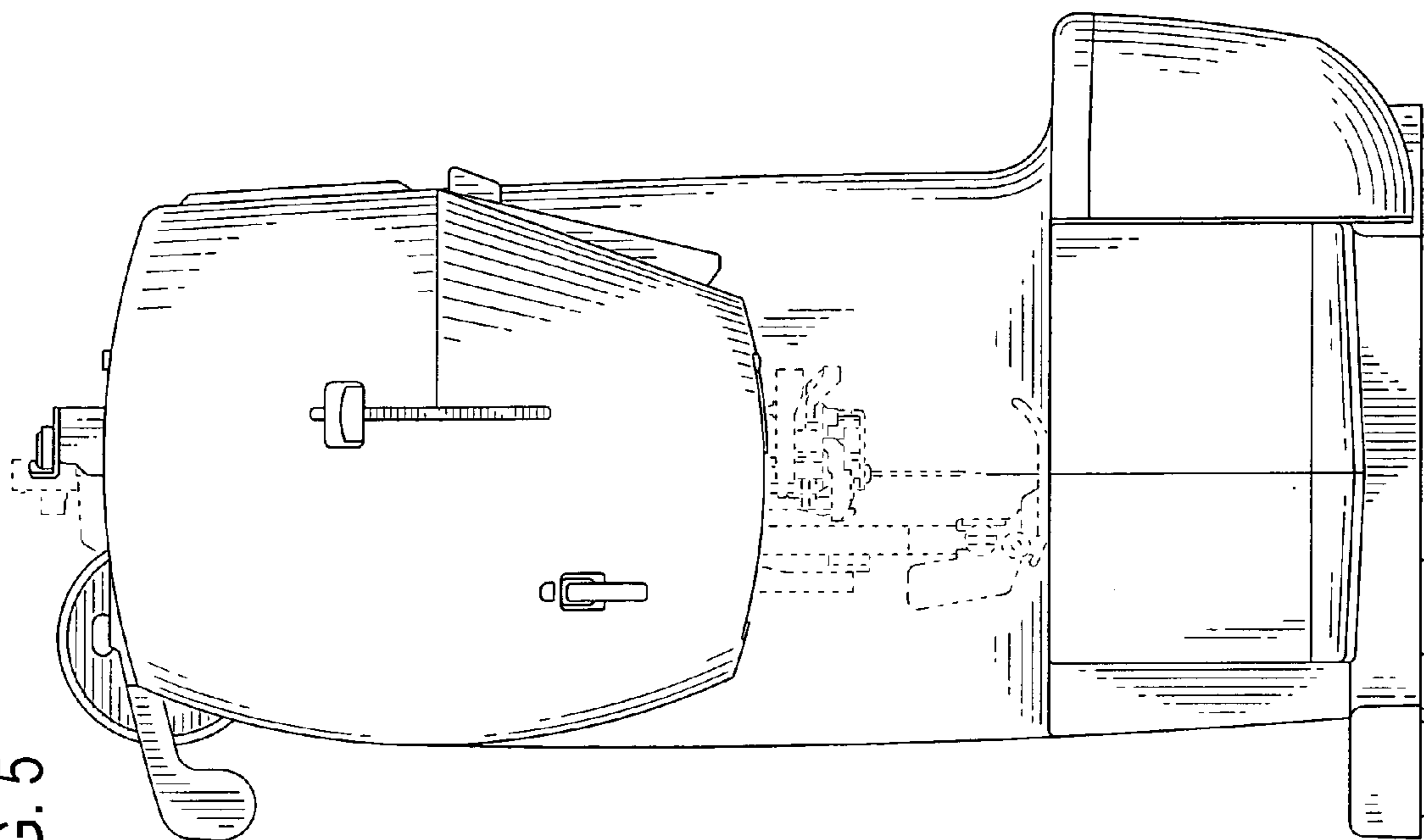
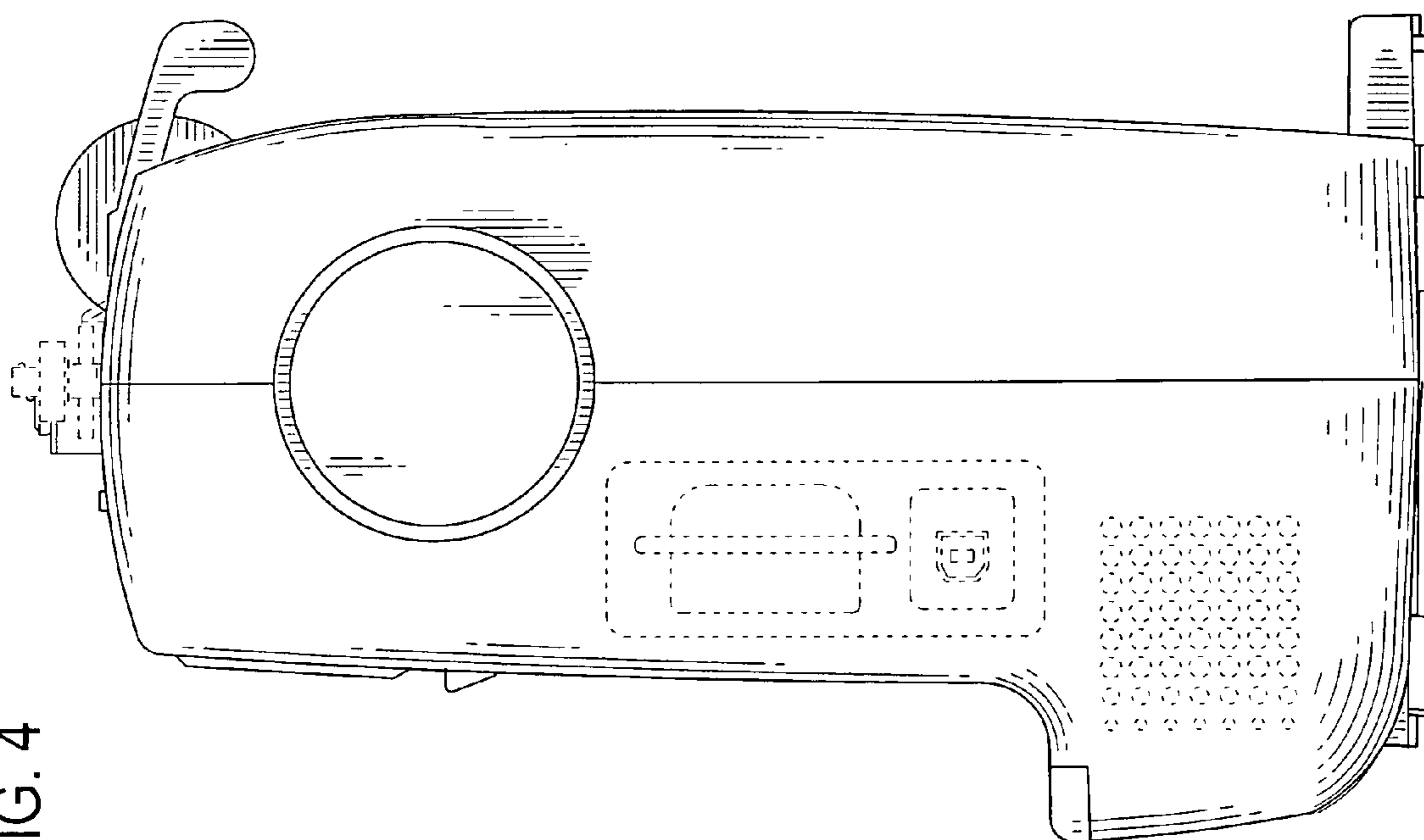


FIG. 4



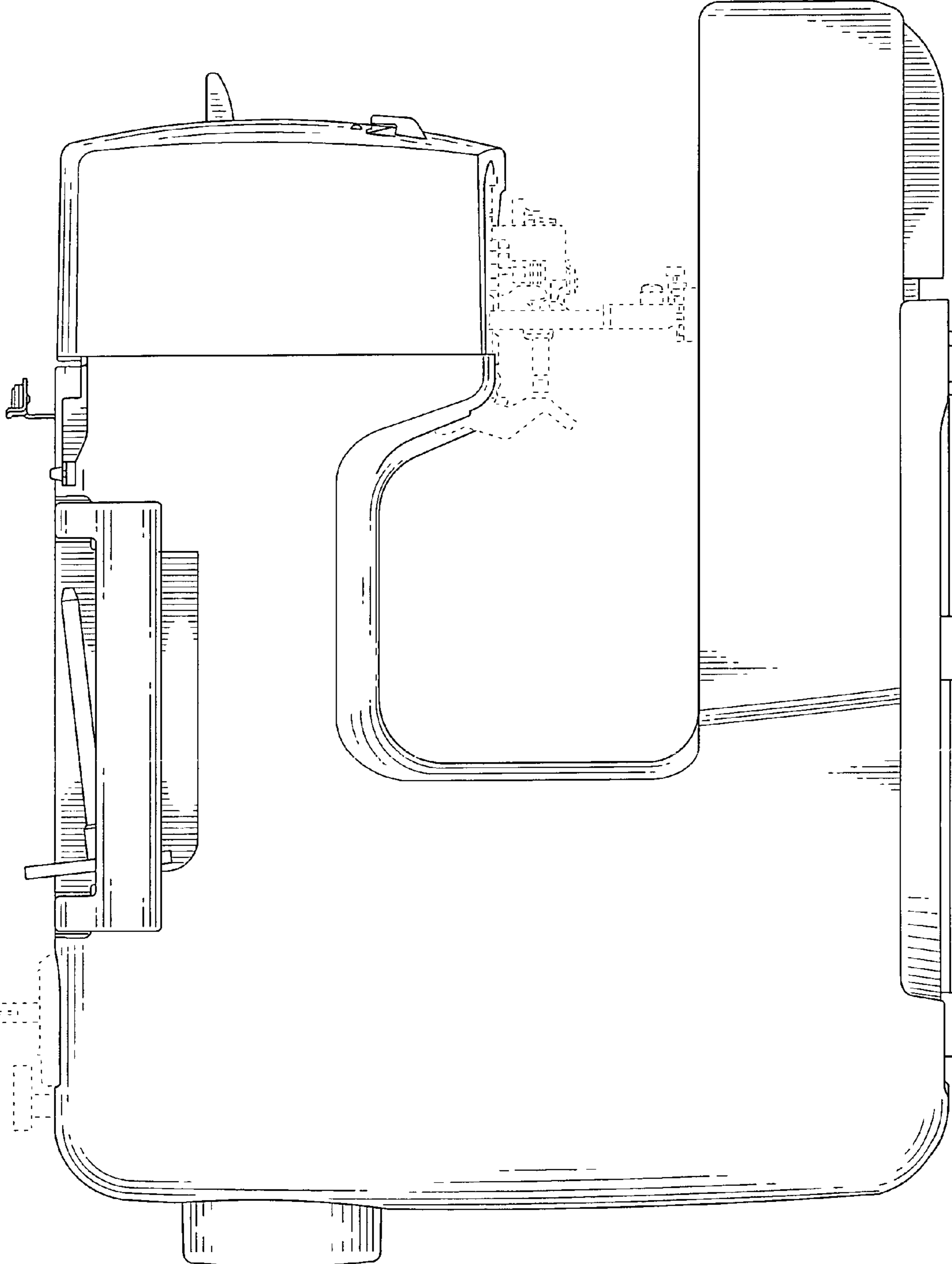


FIG. 6

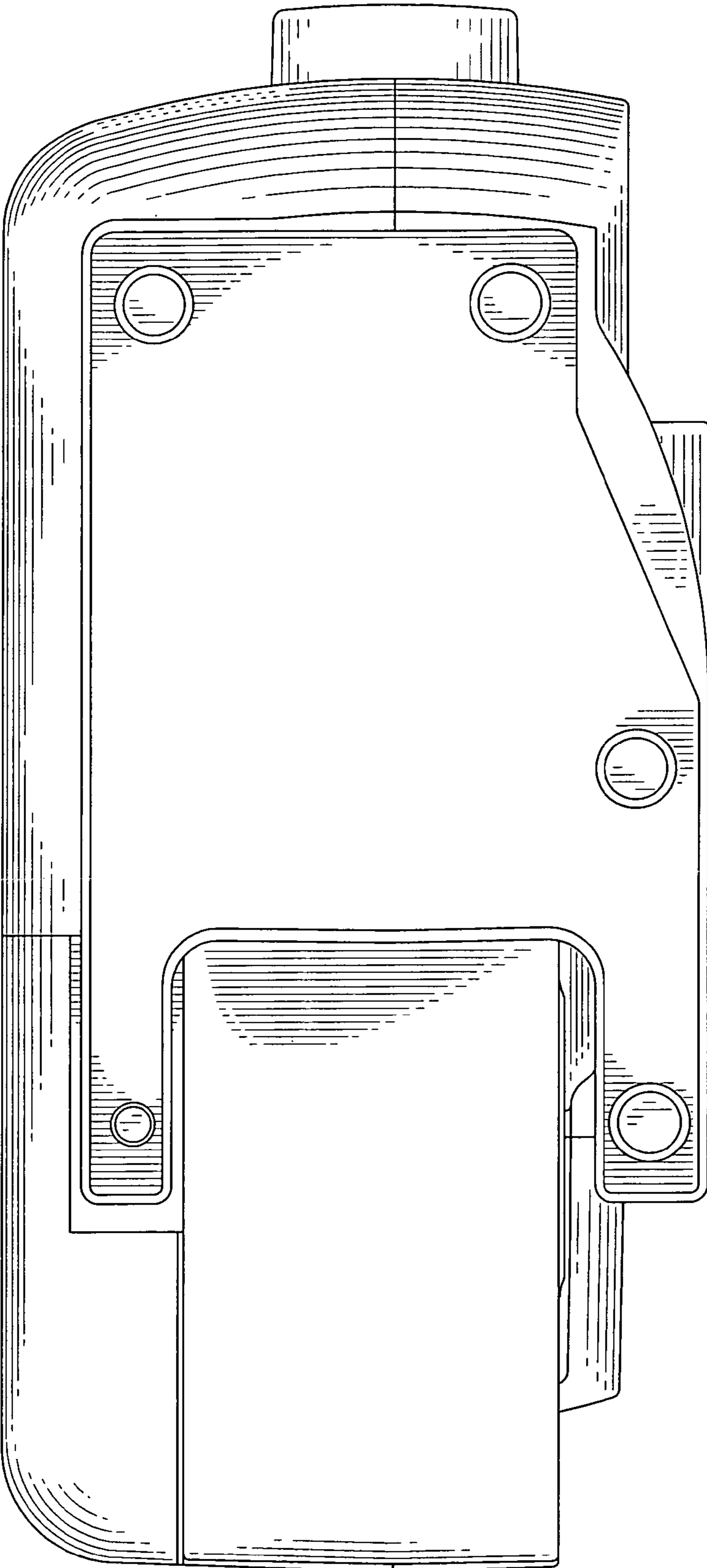


FIG. 7