



US00D578553S

(12) **United States Design Patent**  
**Inada**

(10) **Patent No.:** **US D578,553 S**  
(45) **Date of Patent:** **\*\* Oct. 14, 2008**

(54) **SEWING MACHINE**

D568,908 S \* 5/2008 Gustafsson ..... D15/70  
D569,394 S \* 5/2008 Kawaguchi ..... D15/70

(75) Inventor: **Toshiya Inada**, Nagoya (JP)

\* cited by examiner

(73) Assignee: **Brother Industries, Ltd.**, Nagoya (JP)

*Primary Examiner*—Stella M. Reid

(\*\*) Term: **14 Years**

*Assistant Examiner*—Shanda Hill

(21) Appl. No.: **29/290,906**

(74) *Attorney, Agent, or Firm*—Oliff & Berridge, PLC

(22) Filed: **Jan. 29, 2008**

(57) **CLAIM**

(51) **LOC (8) Cl.** ..... **15-06**

The ornamental design for a sewing machine, as shown and described.

(52) **U.S. Cl.** ..... **D15/69**

(58) **Field of Classification Search** ..... D15/66–71,  
D15/77; D21/527; 112/2, 78, 154, 475.01  
See application file for complete search history.

**DESCRIPTION**

(56) **References Cited**

FIG. 1 is a perspective view of a sewing machine;

FIG. 2 is a front view thereof;

FIG. 3 is a top view thereof;

FIG. 4 is a right-side view thereof;

FIG. 5 is a left-side view thereof;

FIG. 6 is a rear view thereof; and,

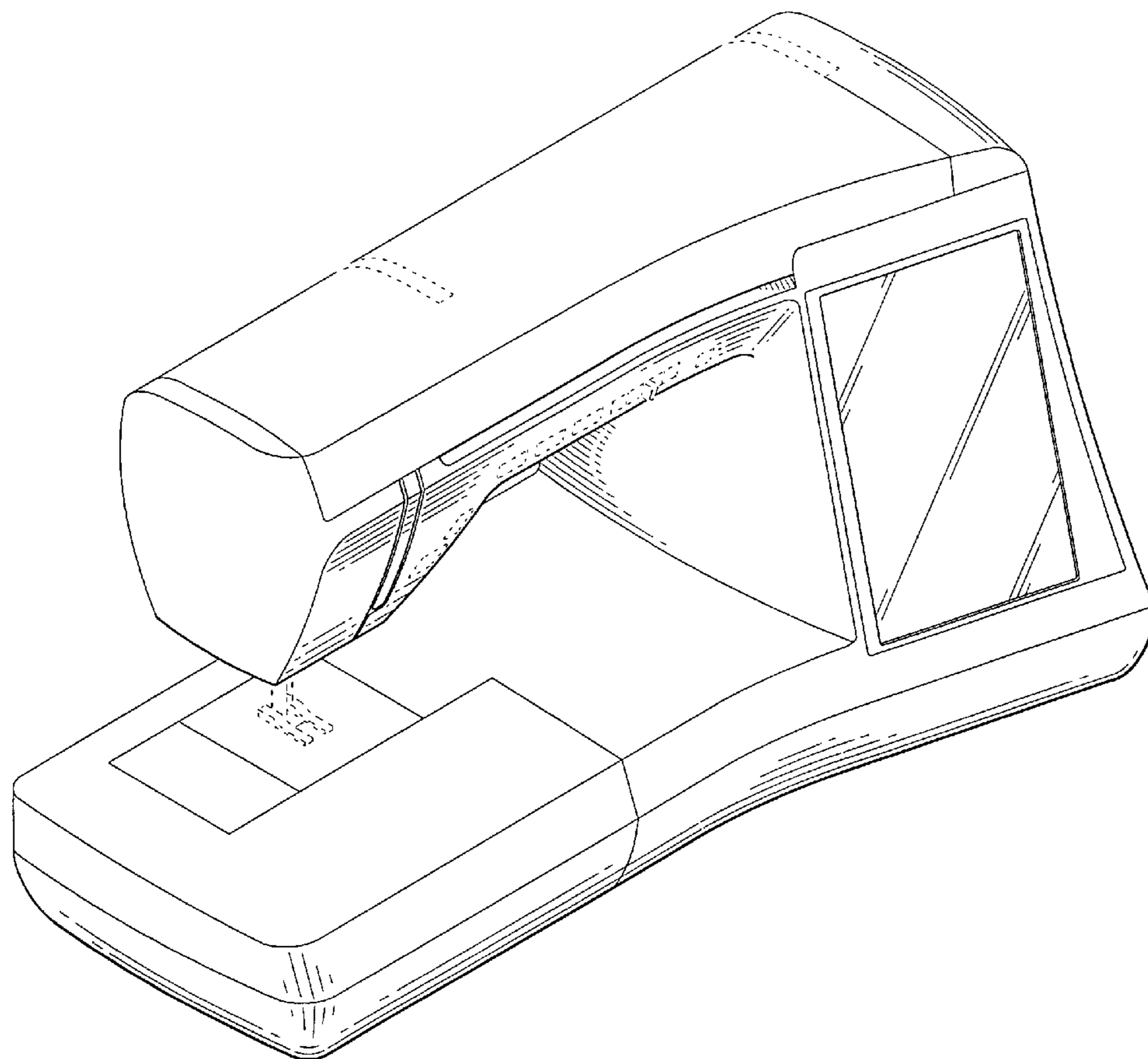
FIG. 7 is a bottom view thereof.

The broken lines depict environmental subject matter only and form no part of the claimed design.

U.S. PATENT DOCUMENTS

- D403,333 S \* 12/1998 Takada et al. .... D15/70
- D450,720 S \* 11/2001 Kuroki ..... D15/69
- D481,739 S \* 11/2003 Iwai ..... D15/69
- D504,692 S \* 5/2005 Kuroki ..... D15/69
- D515,110 S \* 2/2006 Kuroki ..... D15/70
- D520,027 S \* 5/2006 Kuroki ..... D15/69
- D523,876 S \* 6/2006 Egami ..... D15/69
- D526,337 S \* 8/2006 Kuroki ..... D15/70

**1 Claim, 6 Drawing Sheets**



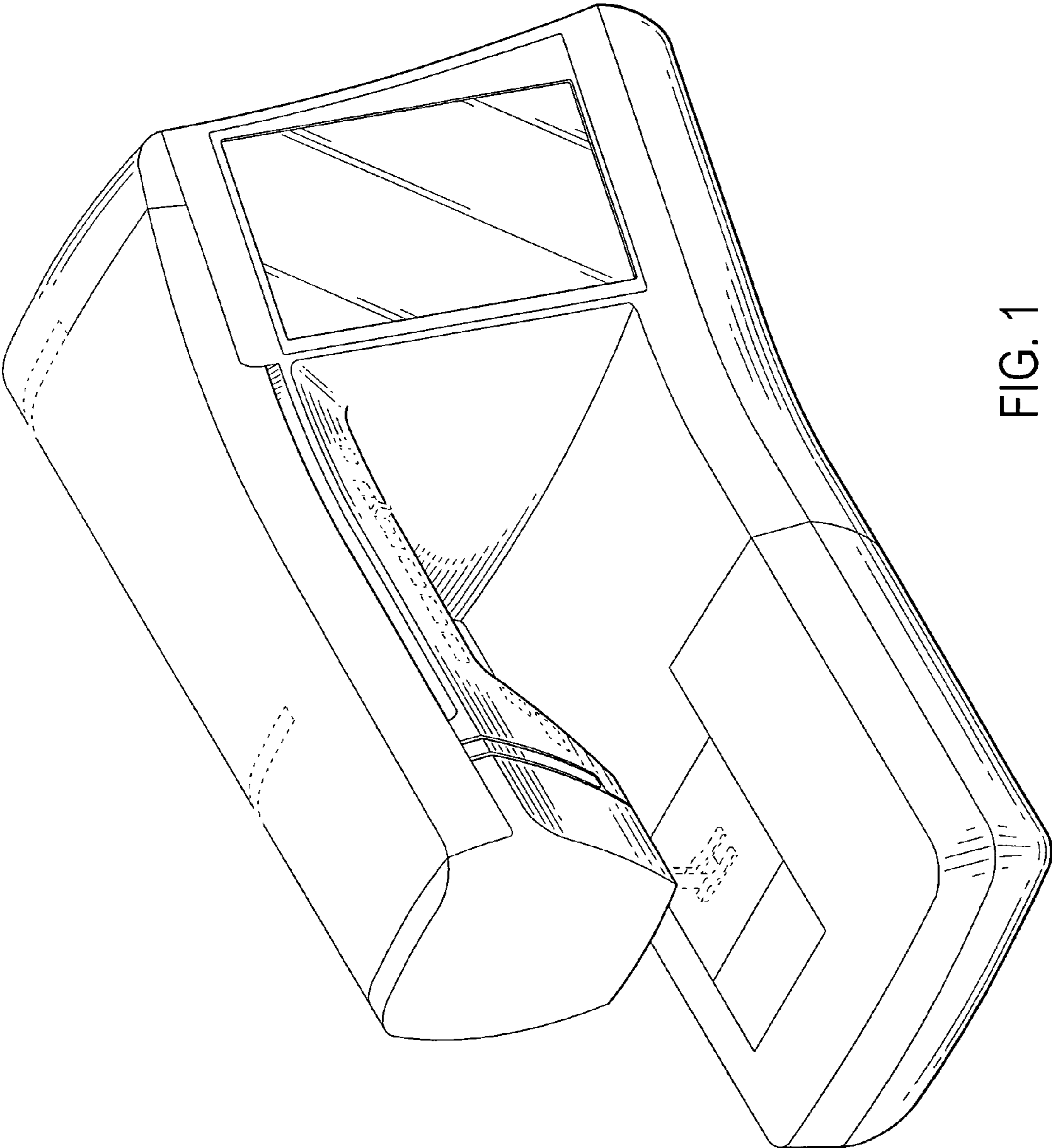


FIG. 1

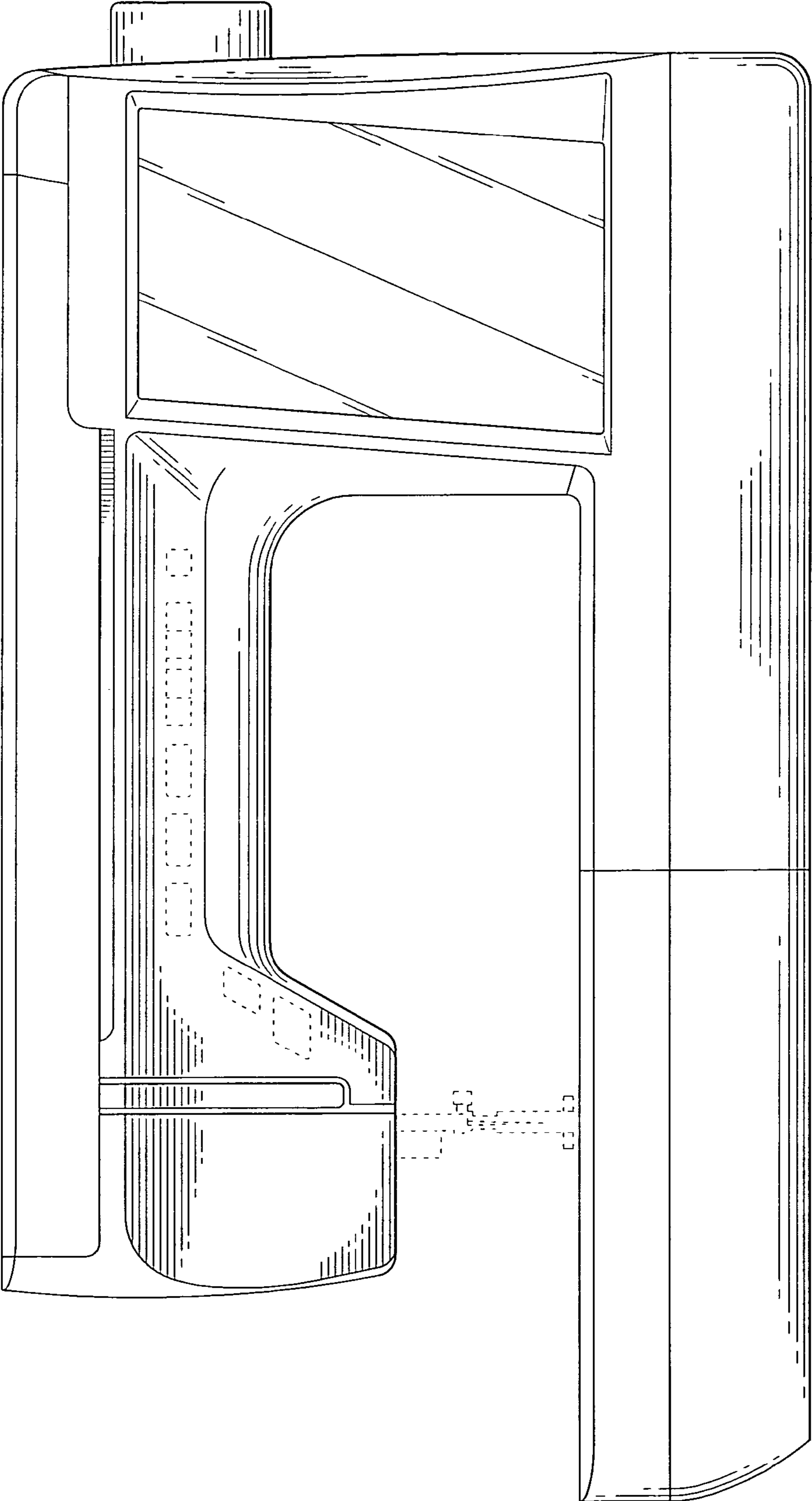


FIG. 2

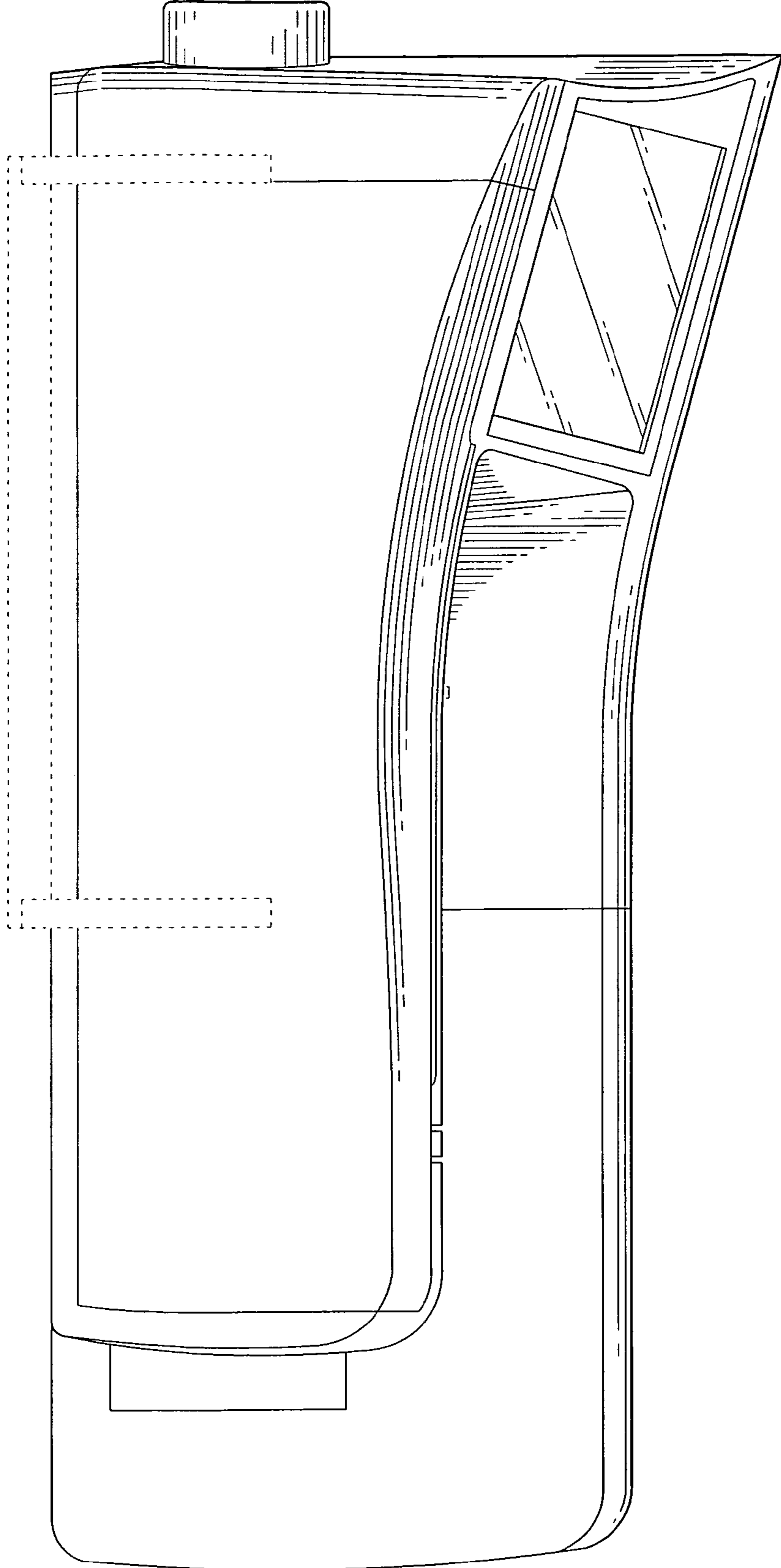


FIG. 3

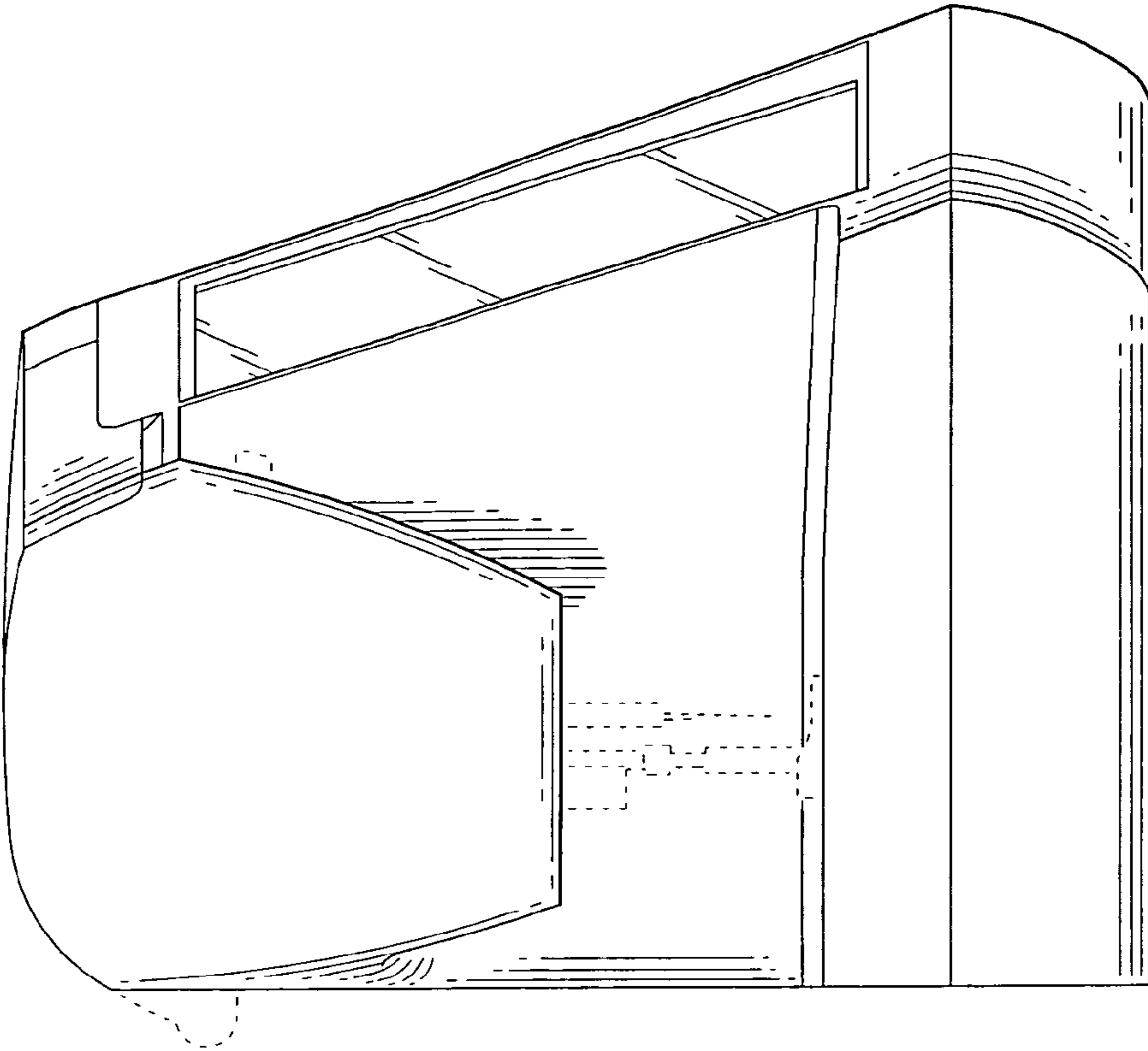


FIG. 5

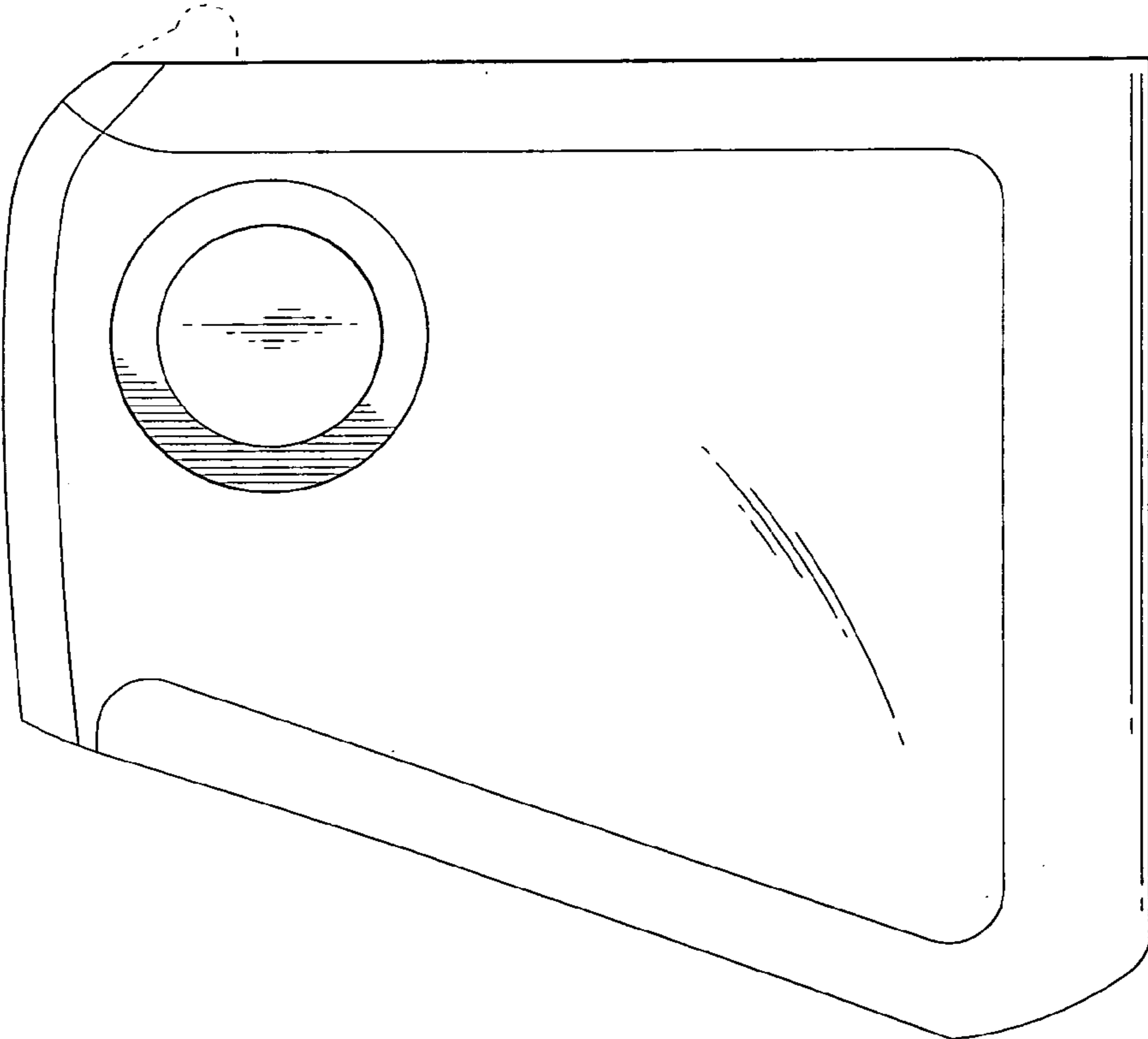


FIG. 4

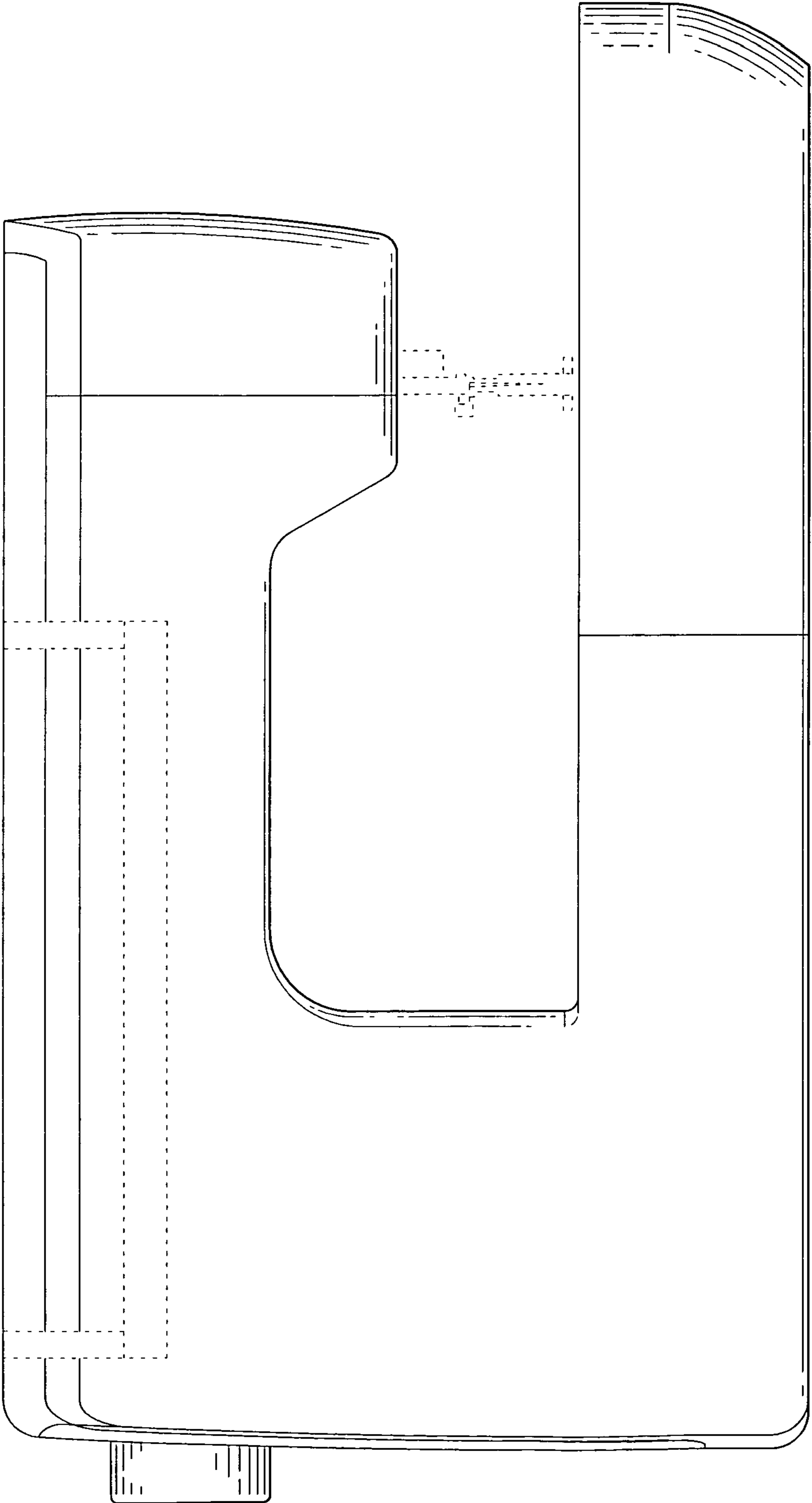


FIG. 6



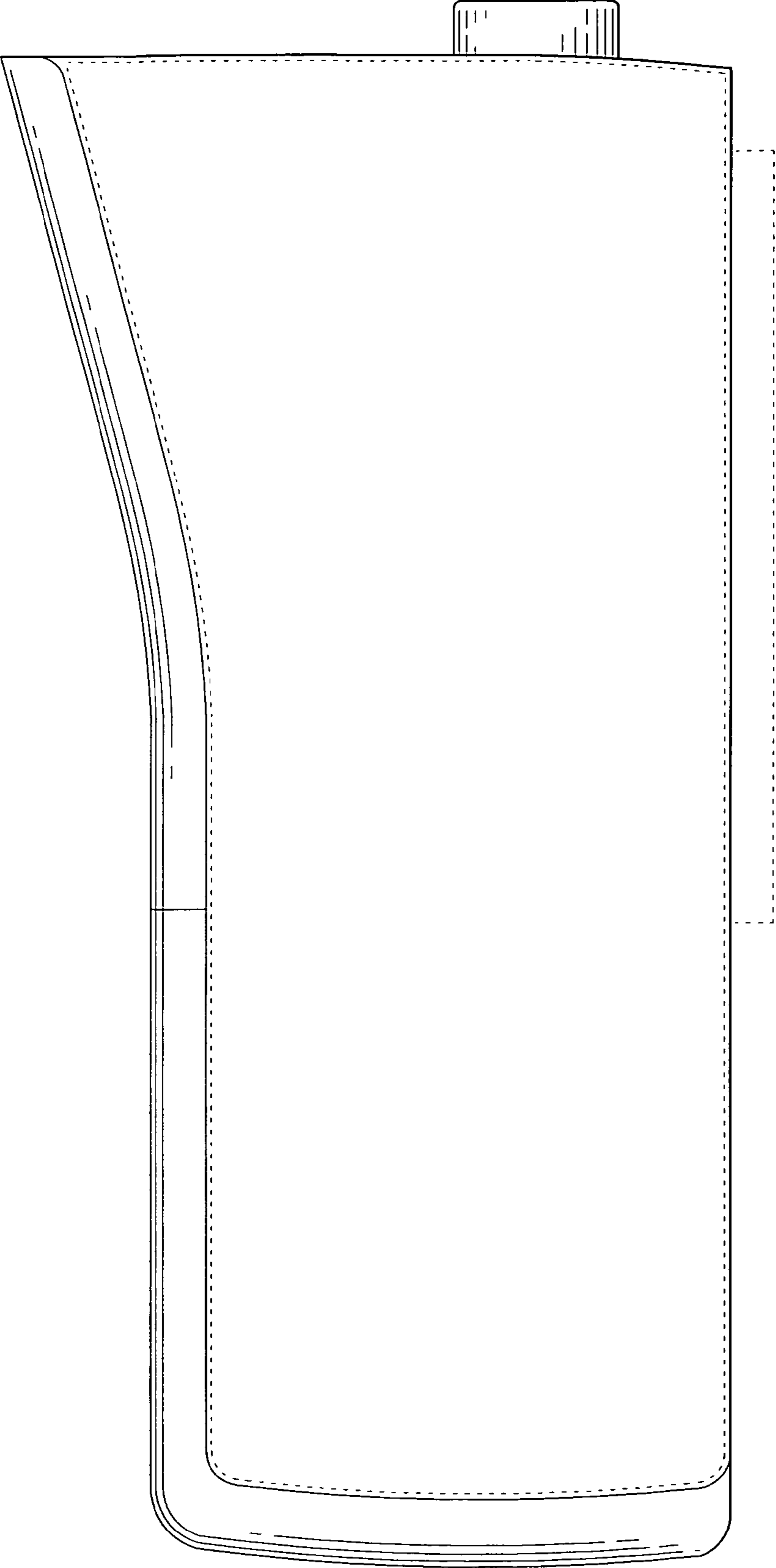


FIG. 7