



US00D578551S

(12) **United States Design Patent**
Bonzer

(10) **Patent No.:** **US D578,551 S**

(45) **Date of Patent:** **** Oct. 14, 2008**

(54) **PORTABLE AIR COMPRESSOR**

(76) Inventor: **Robert L. Bonzer**, 873 E. Citation Ct.,
Boise, ID (US) 83716

(**) Term: **14 Years**

(21) Appl. No.: **29/280,395**

(22) Filed: **May 25, 2007**

(51) **LOC (8) Cl.** **15-02**

(52) **U.S. Cl.** **D15/9**

(58) **Field of Classification Search** D15/7-9;
D23/231, 232; 417/410.1, 359, 415-416,
417/234, 321, 265, 405

See application file for complete search history.

(56) **References Cited**

U.S. PATENT DOCUMENTS

D384,081	S	*	9/1997	Wang	D15/7
D413,123	S	*	8/1999	Leonhard et al.	D15/7
D418,522	S	*	1/2000	Angel	D15/7
D454,884	S	*	3/2002	Christiansen et al.	D15/7
D489,733	S	*	5/2004	Leasure et al.	D15/9
D499,117	S	*	11/2004	Leasure et al.	D15/9
D499,429	S	*	12/2004	Leasure	D15/9

D516,091	S	*	2/2006	Leasure et al.	D15/9
D517,092	S	*	3/2006	Leasure et al.	D15/9
D533,880	S	*	12/2006	Chen	D15/7

* cited by examiner

Primary Examiner—R. Seifert

(74) *Attorney, Agent, or Firm*—Frank J. Dykas; Dykas,
Shaver & Nipper, LLP

(57) **CLAIM**

The ornamental design for a portable air compressor, as shown and described.

DESCRIPTION

FIG. 1 is a front view of the portable air compressor.

FIG. 2 is a rear view of the portable air compressor.

FIG. 3 is a first side view of the portable air compressor.

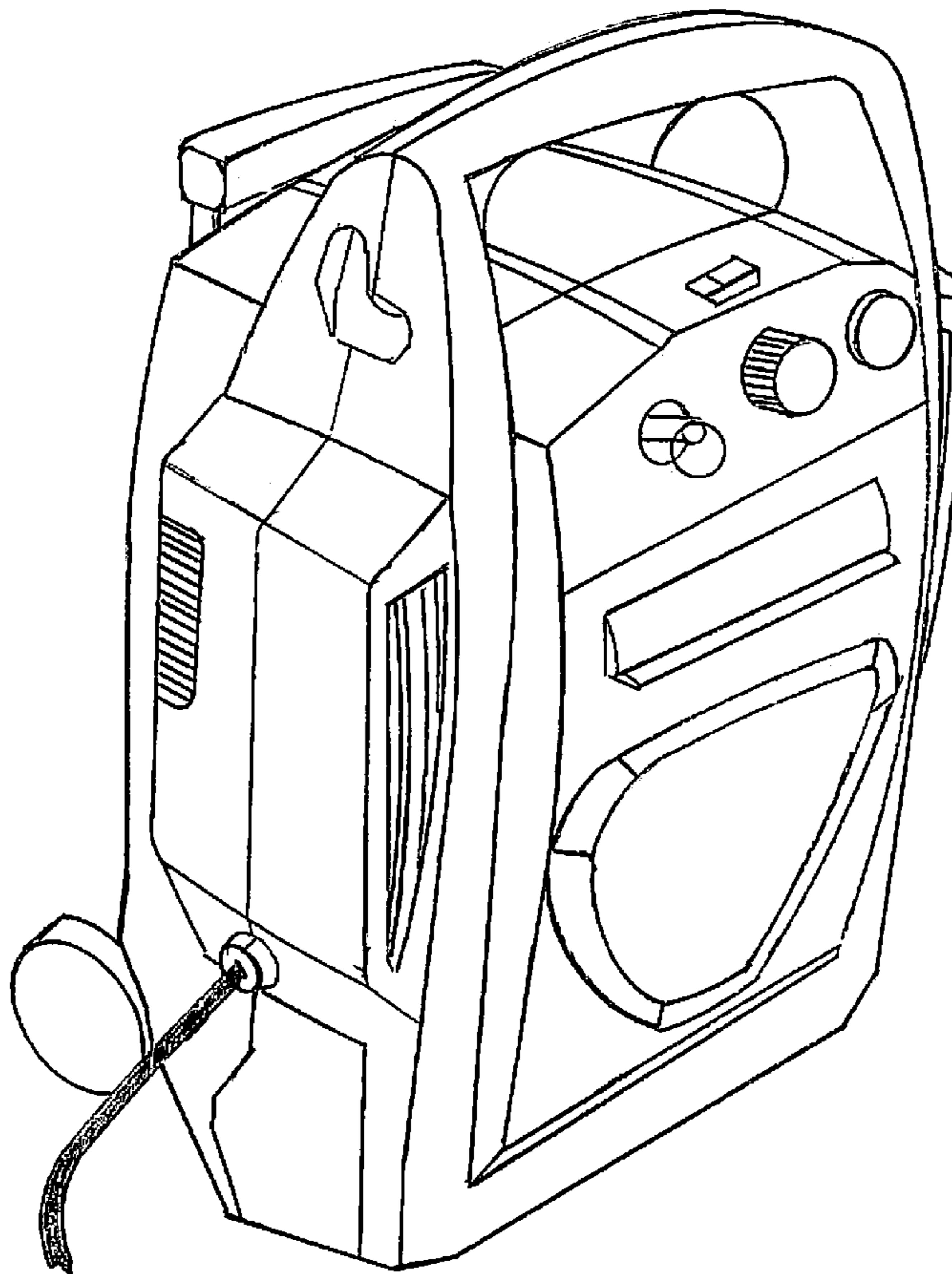
FIG. 4 is a second side view of the portable air compressor.

FIG. 5 is a top view of the portable air compressor.

FIG. 6 is a bottom view of the portable air compressor; and,

FIG. 7 is a perspective representational view of the portable air compressor.

1 Claim, 6 Drawing Sheets



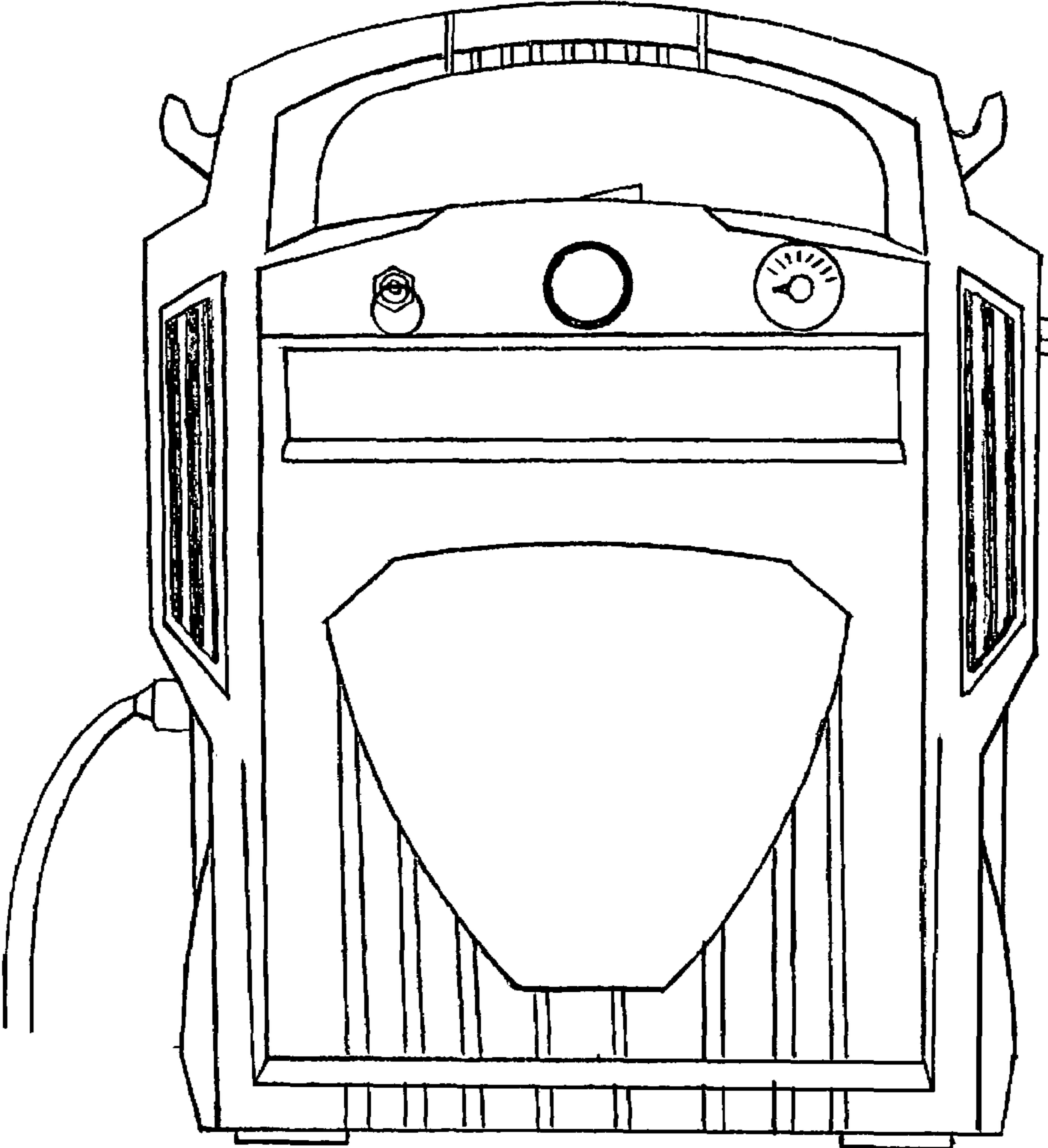


FIG 1

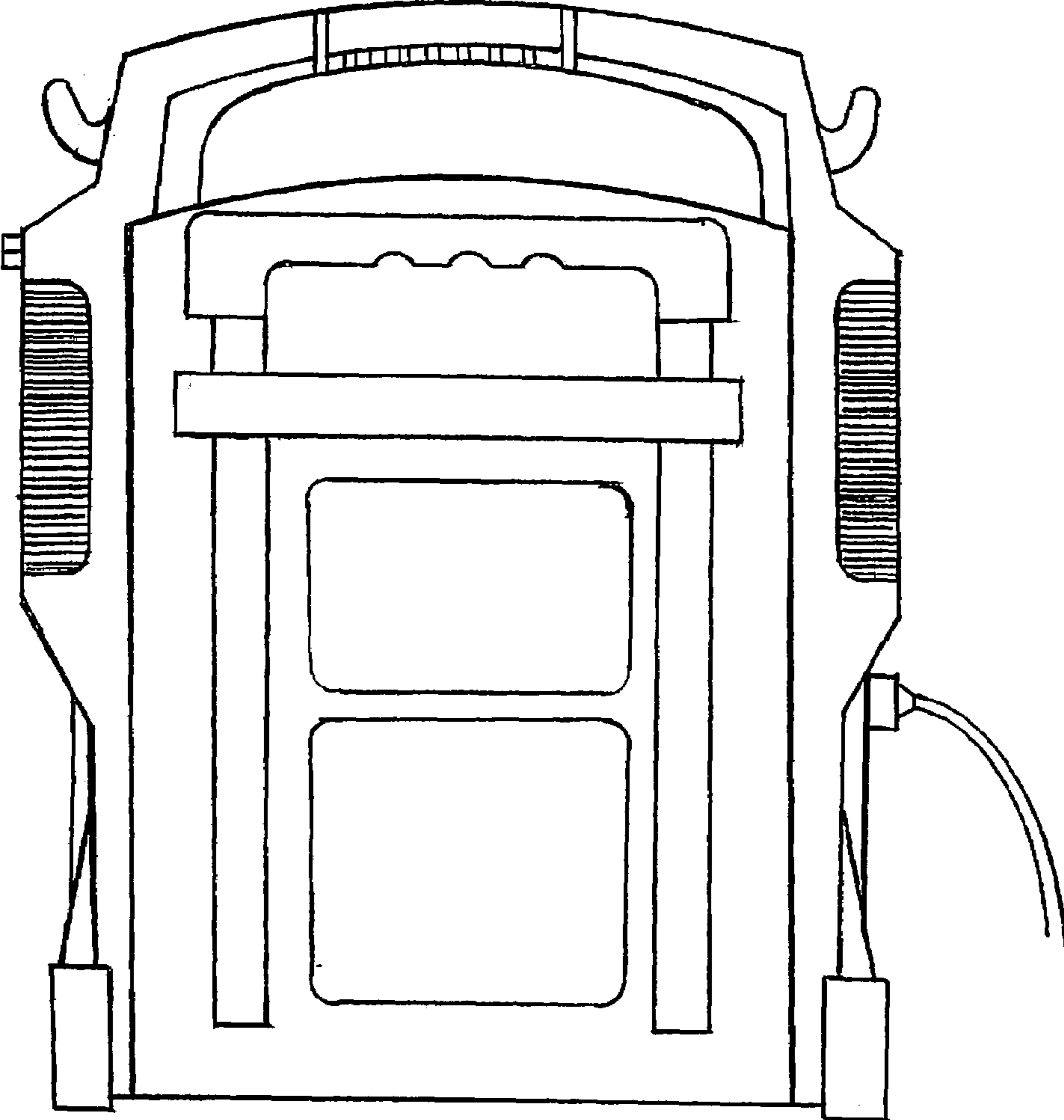


FIG 2

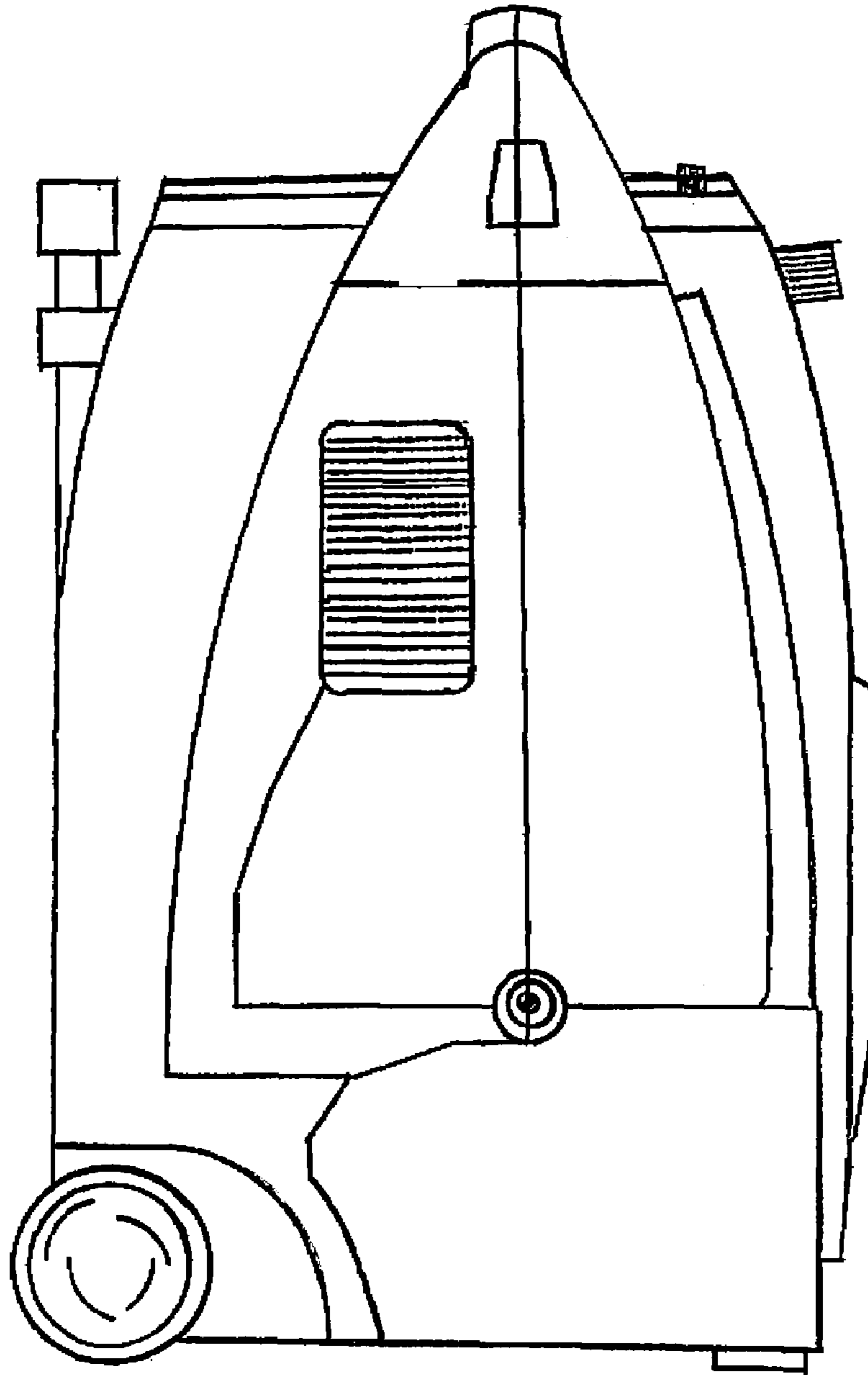


FIG 3

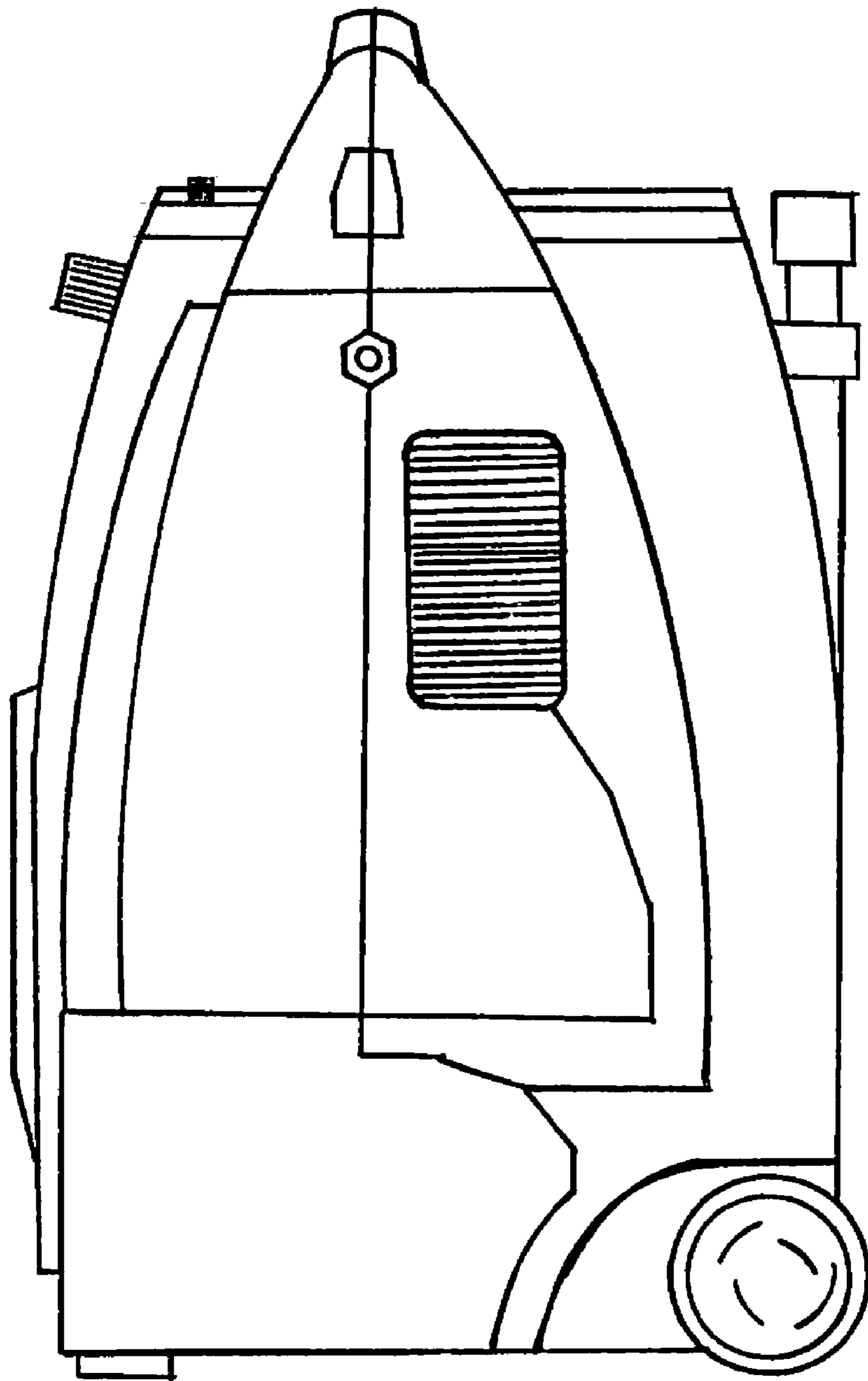


FIG 4

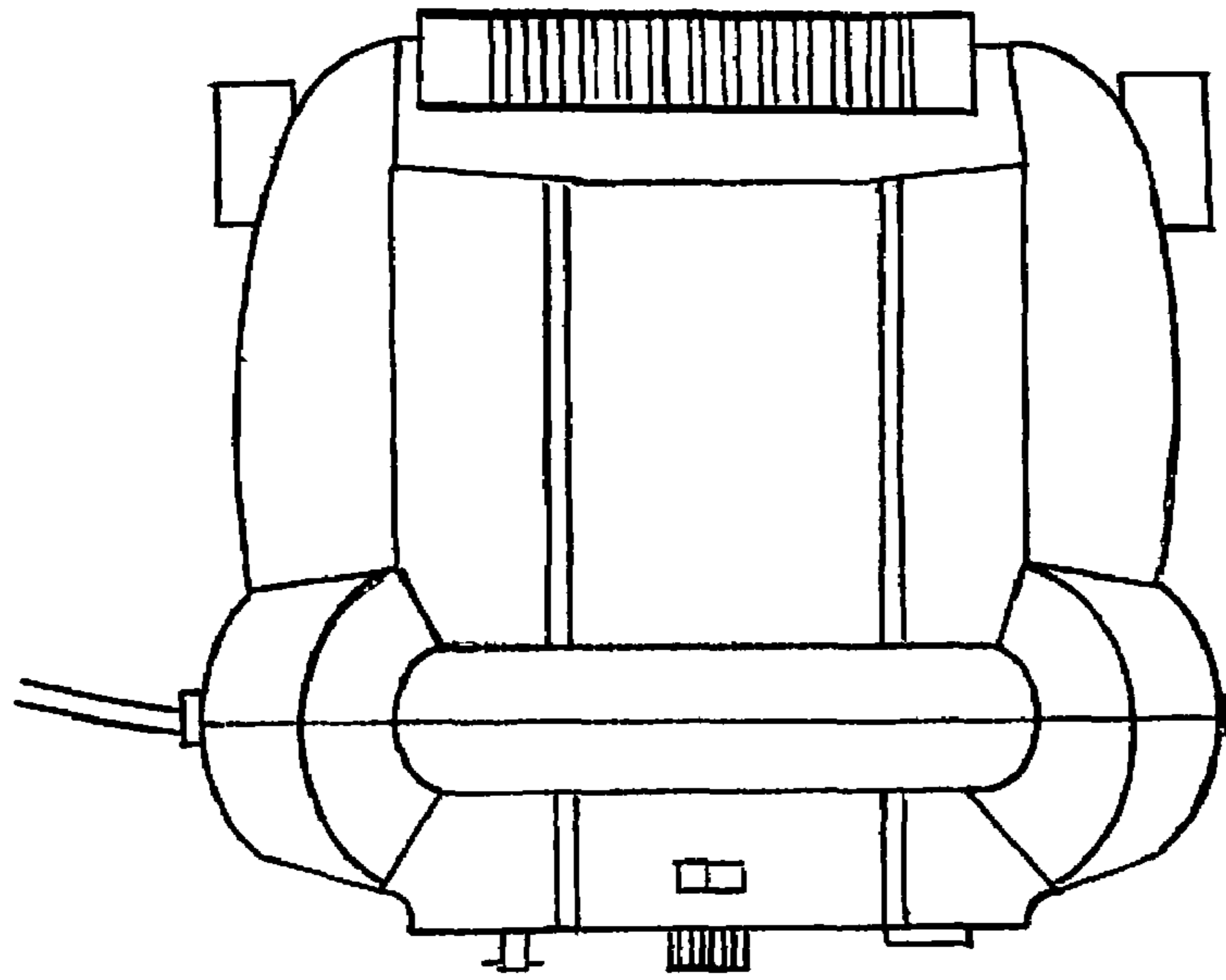


FIG 5

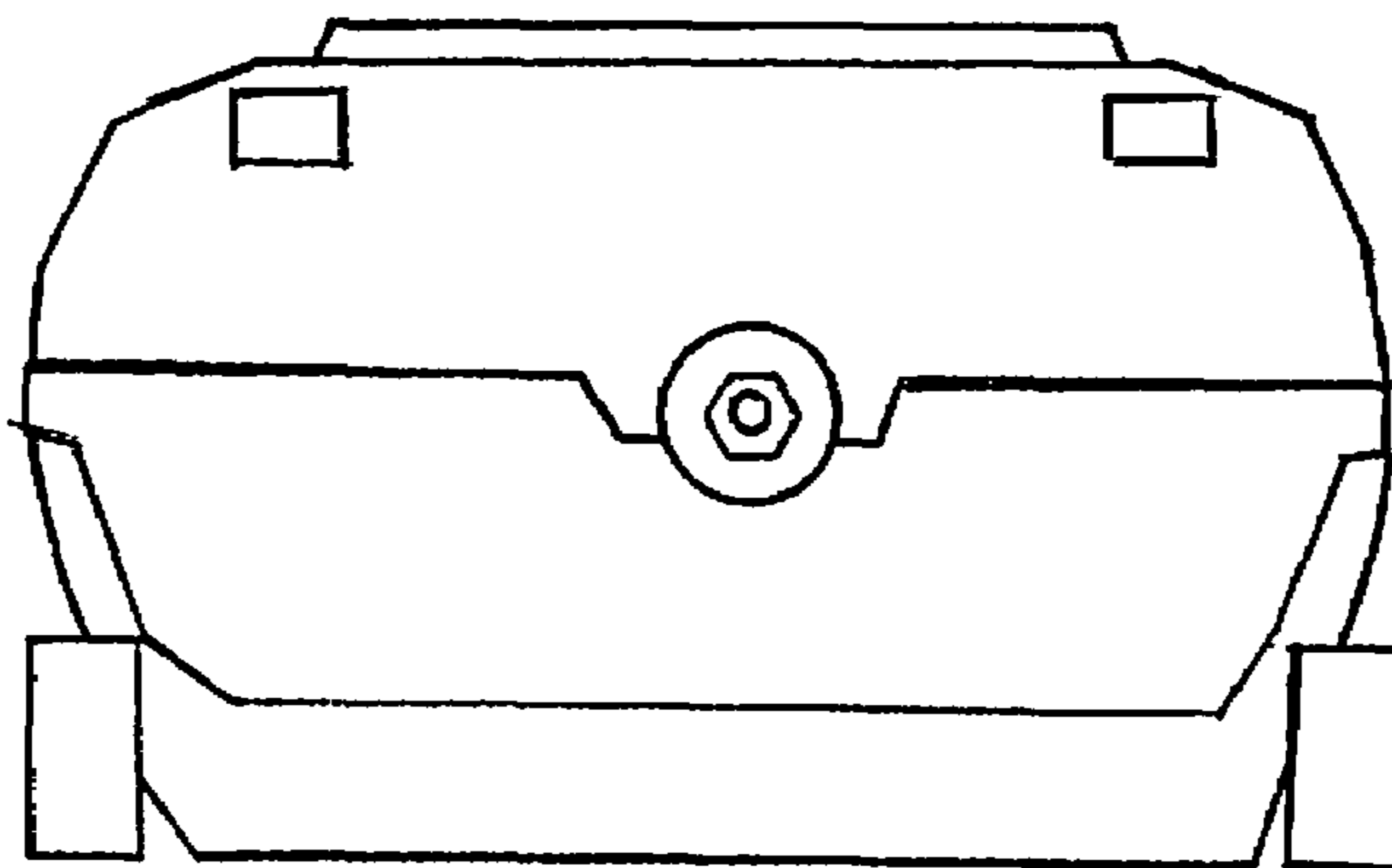


FIG 6

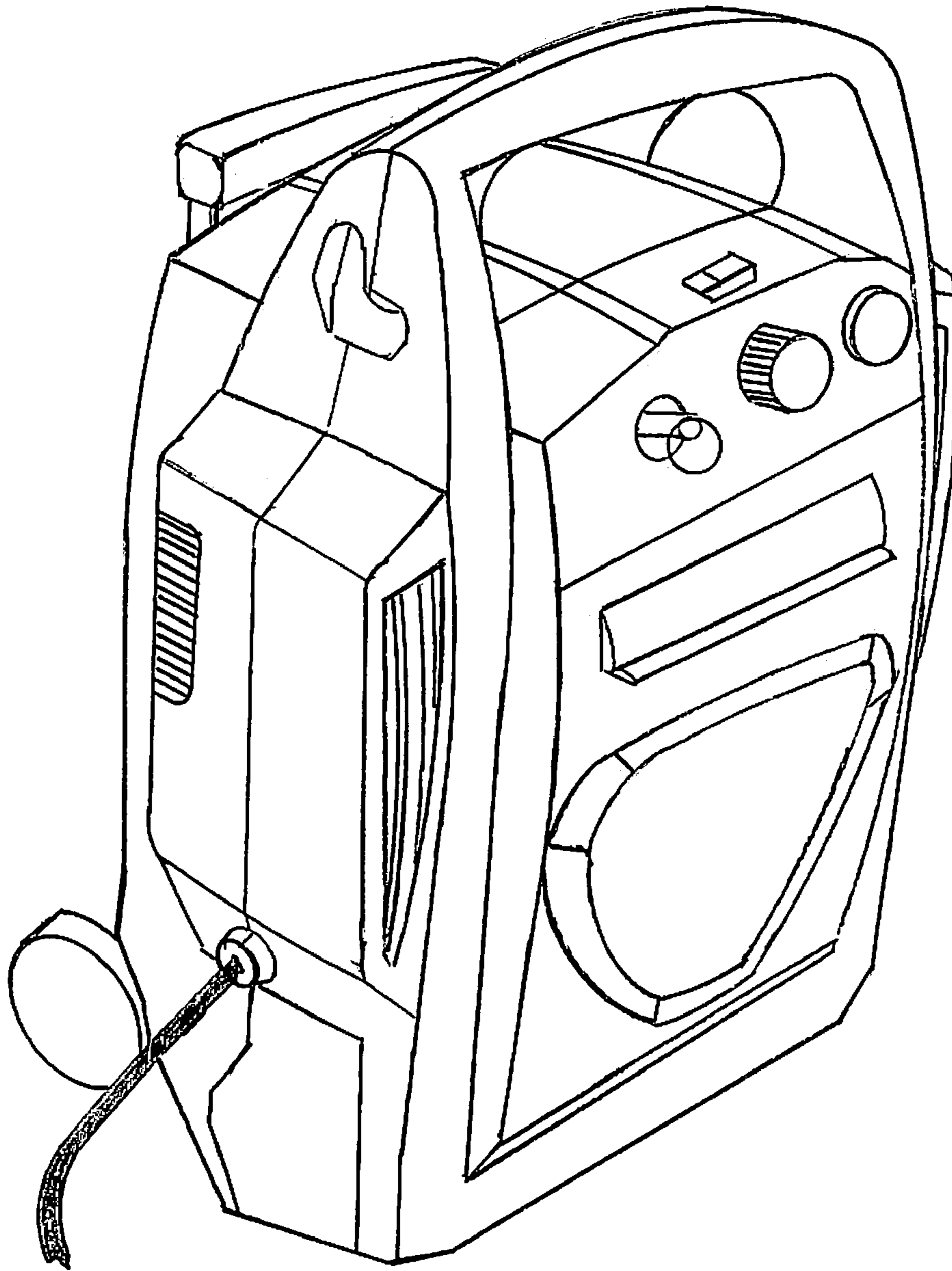


FIG 7