



US00D578548S

(12) **United States Design Patent**
Bohlen

(10) **Patent No.:** **US D578,548 S**
(45) **Date of Patent:** **** Oct. 14, 2008**

(54) **FLUID DISTRIBUTION BLOCK**

(76) Inventor: **Mark Bohlen**, 9334 Oso Ave., Unit G,
Chatsworth, CA (US) 91311

(**) Term: **14 Years**

(21) Appl. No.: **29/282,595**

(22) Filed: **Aug. 7, 2007**

(51) **LOC (8) Cl.** **15-01**

(52) **U.S. Cl.** **D15/5**

(58) **Field of Classification Search** D15/1,
D15/3, 5; 123/557, 549, 593

See application file for complete search history.

(56) **References Cited**

U.S. PATENT DOCUMENTS

D290,259 S *	6/1987	van der Wyk	D15/5
D408,419 S *	4/1999	Clark	D15/5
6,725,846 B2 *	4/2004	Armstrong	123/549
D544,499 S *	6/2007	Nimberger	D15/5

* cited by examiner

Primary Examiner—Lisa P Lichtenstein

(74) *Attorney, Agent, or Firm*—Kelly Lowry & Kelley, LLP

(57) **CLAIM**

The ornamental design for a fluid distribution block, as shown and described.

DESCRIPTION

FIG. 1 is a front perspective view of the fluid distribution block;

FIG. 2 is a front elevational view of the fluid distribution block;

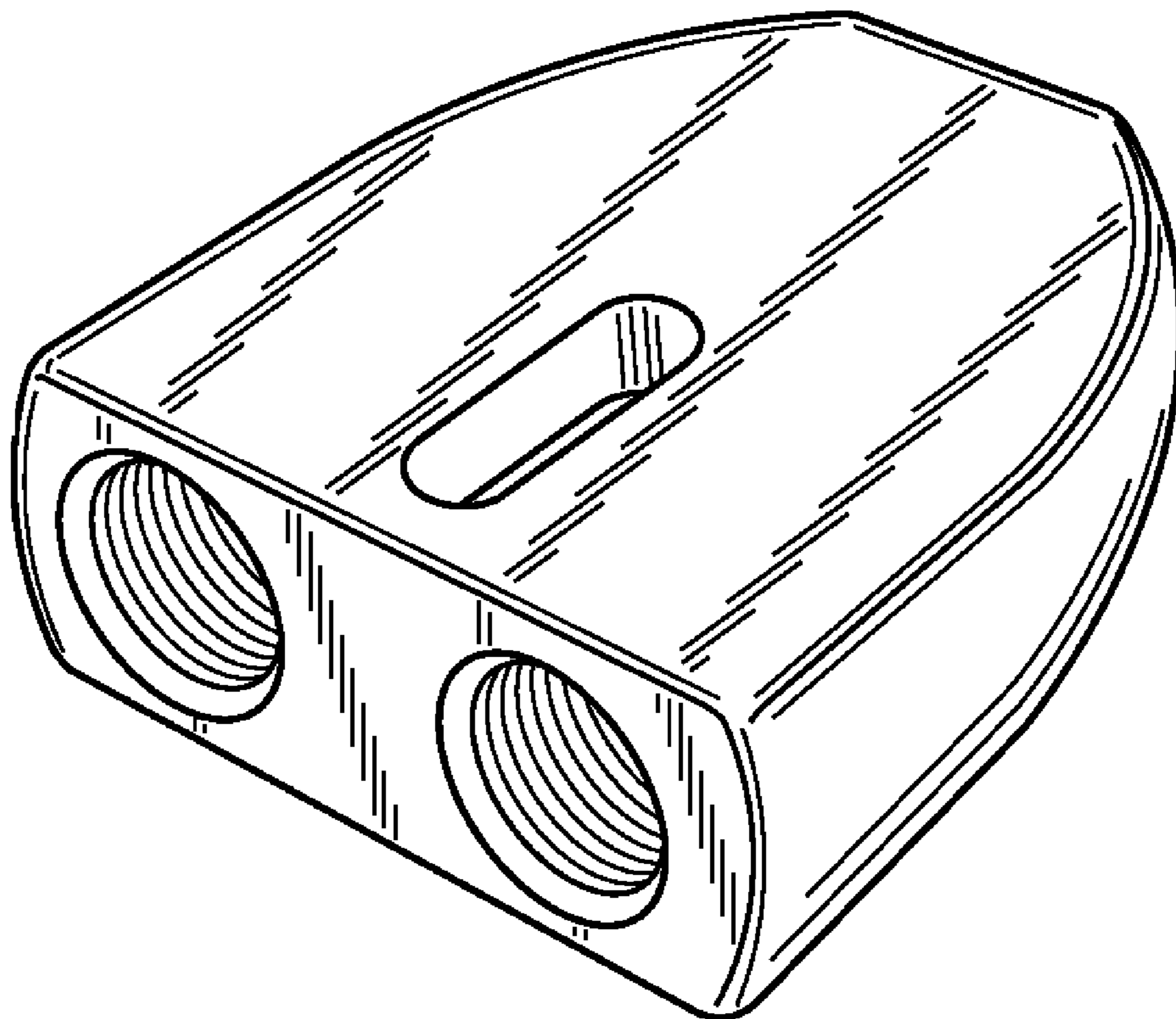
FIG. 3 is a rear elevational view of the fluid distribution block;

FIG. 4 is a side elevational view of the fluid distribution block;

FIG. 5 is a top plan view of the fluid distribution block; and,

FIG. 6 is a bottom plan view of the fluid distribution block.

1 Claim, 1 Drawing Sheet



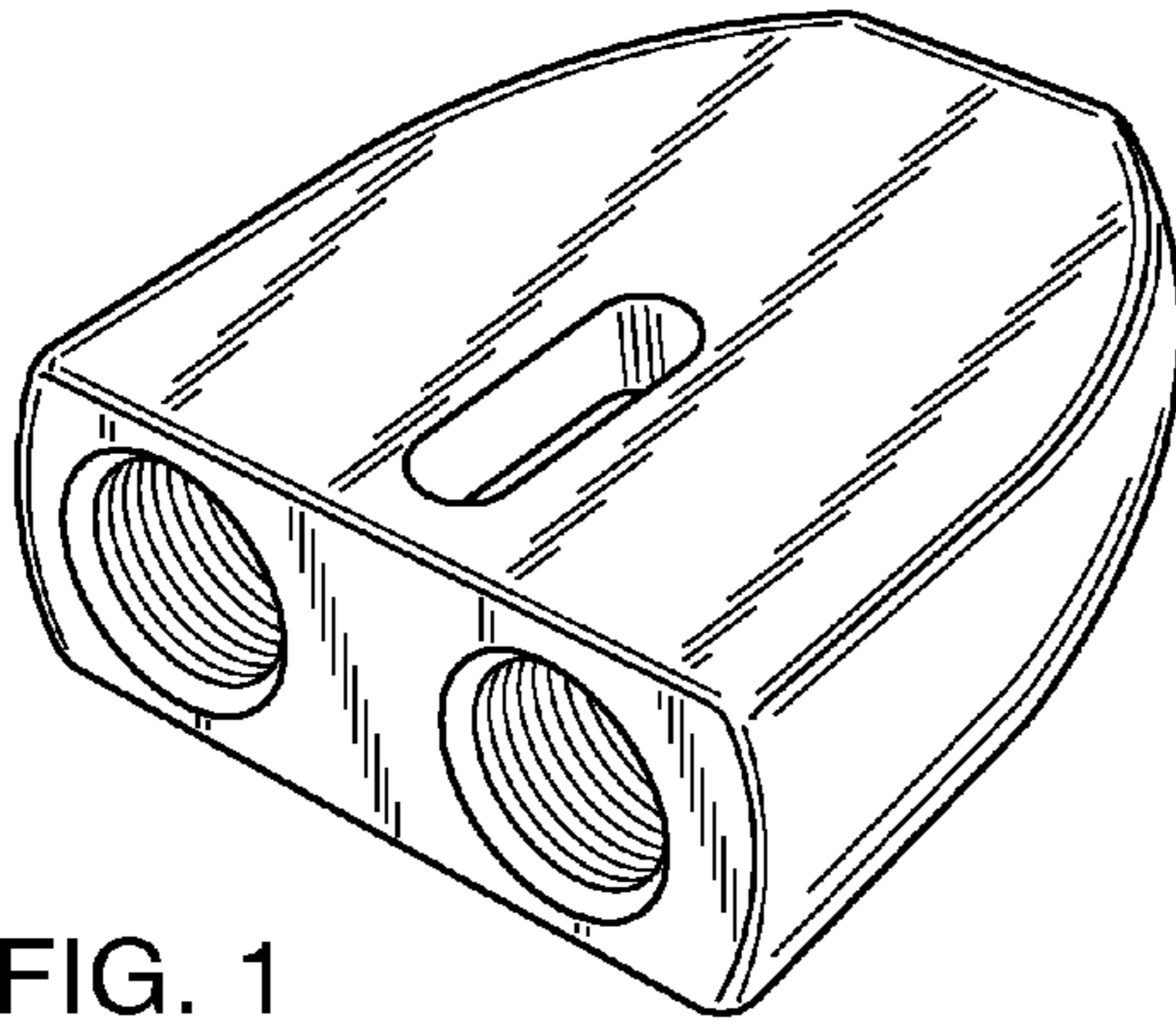


FIG. 1

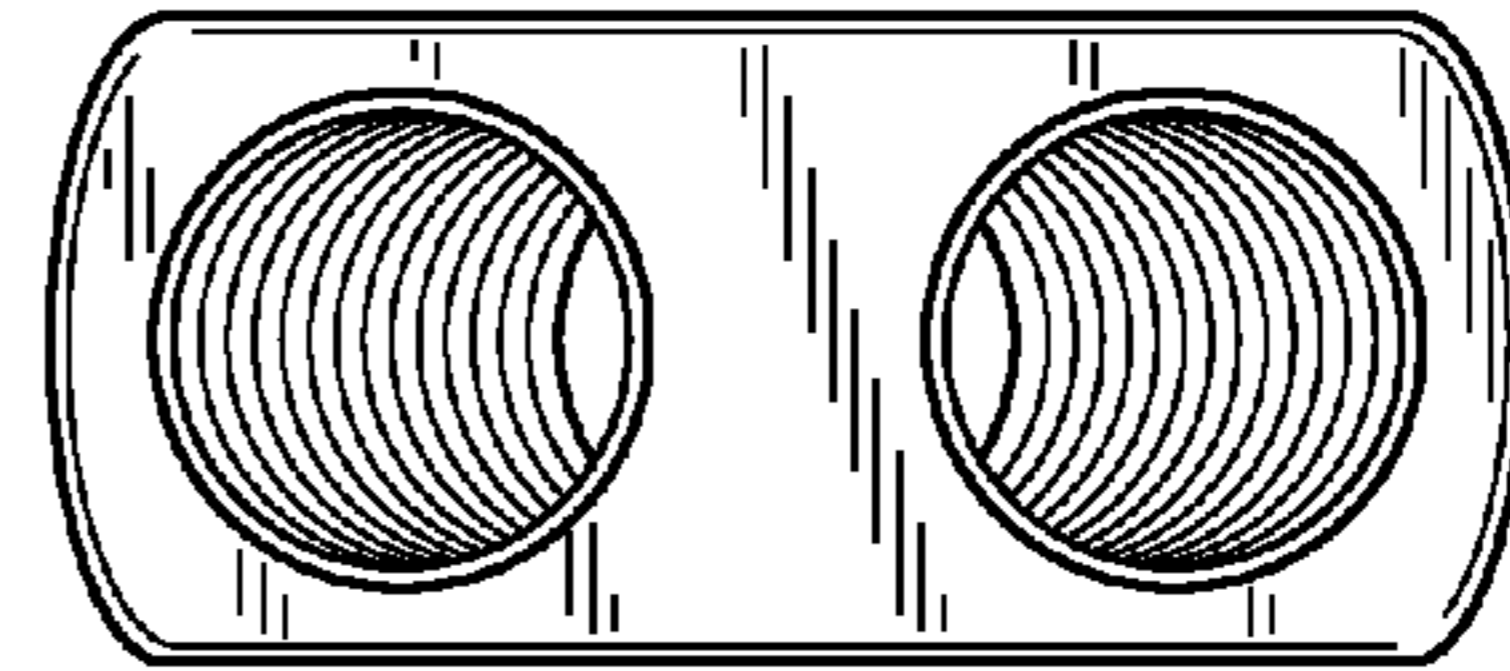


FIG. 2

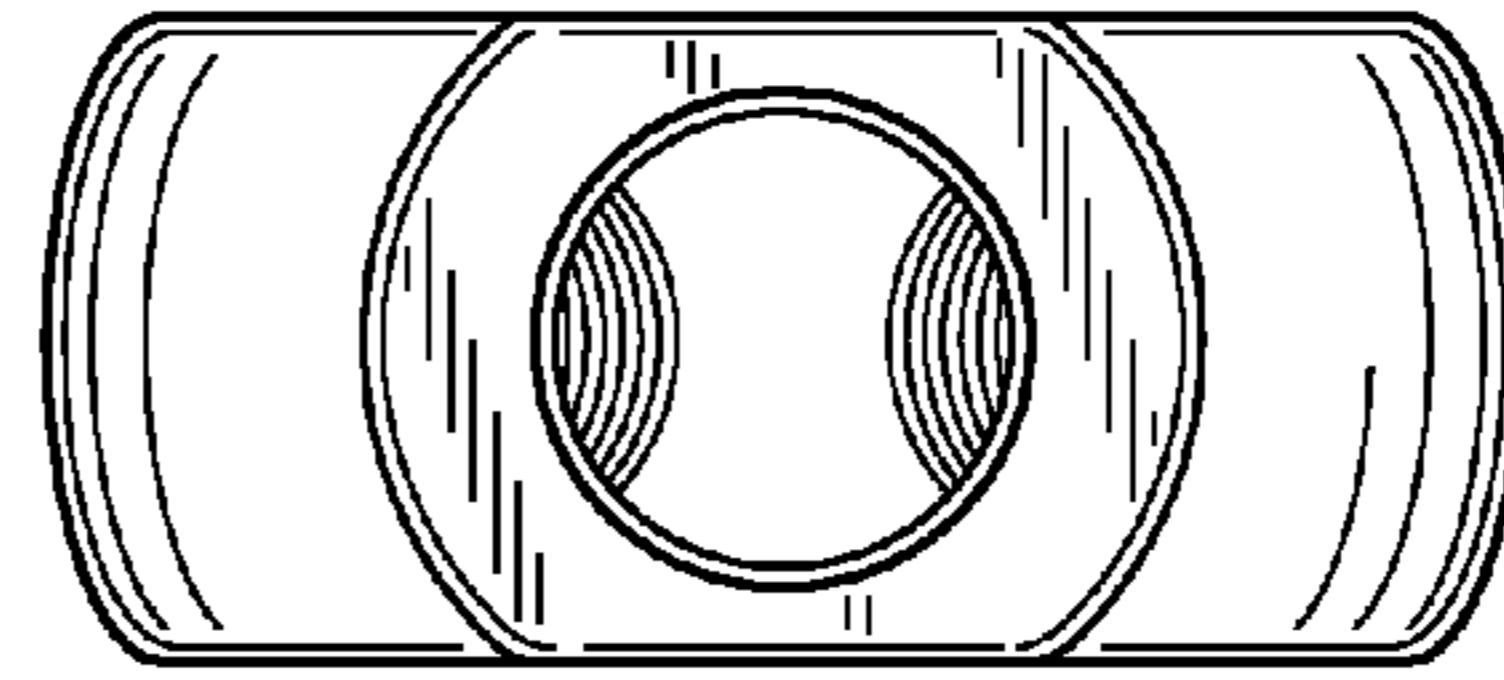


FIG. 3

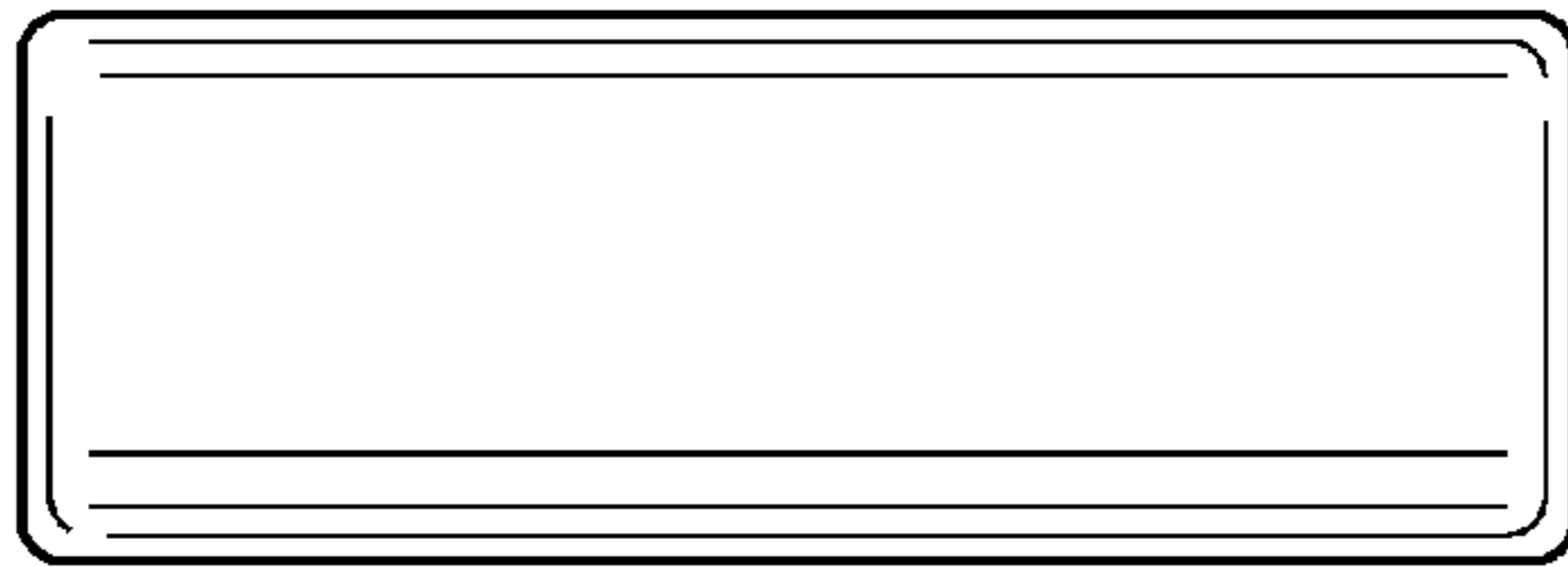


FIG. 4

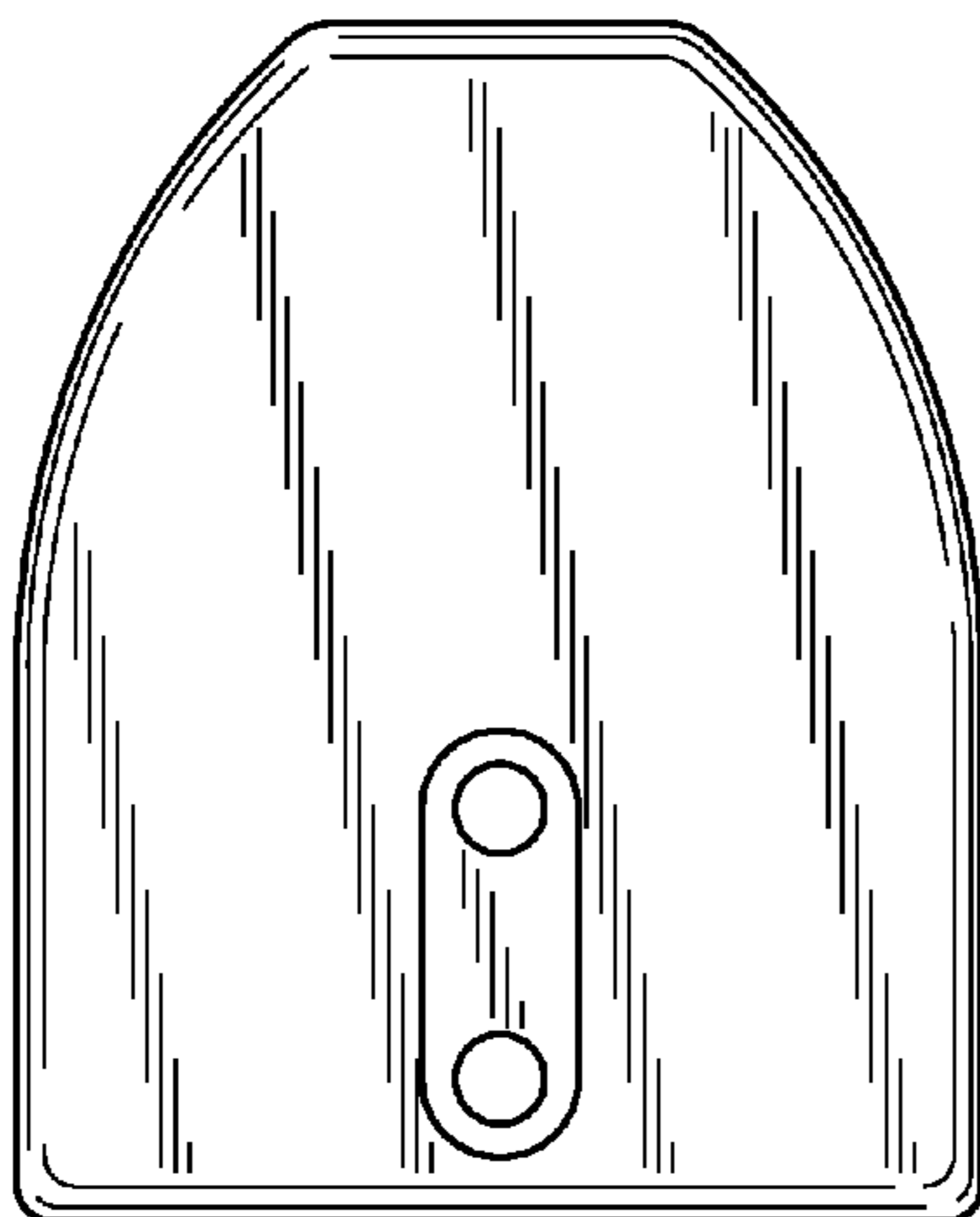


FIG. 5

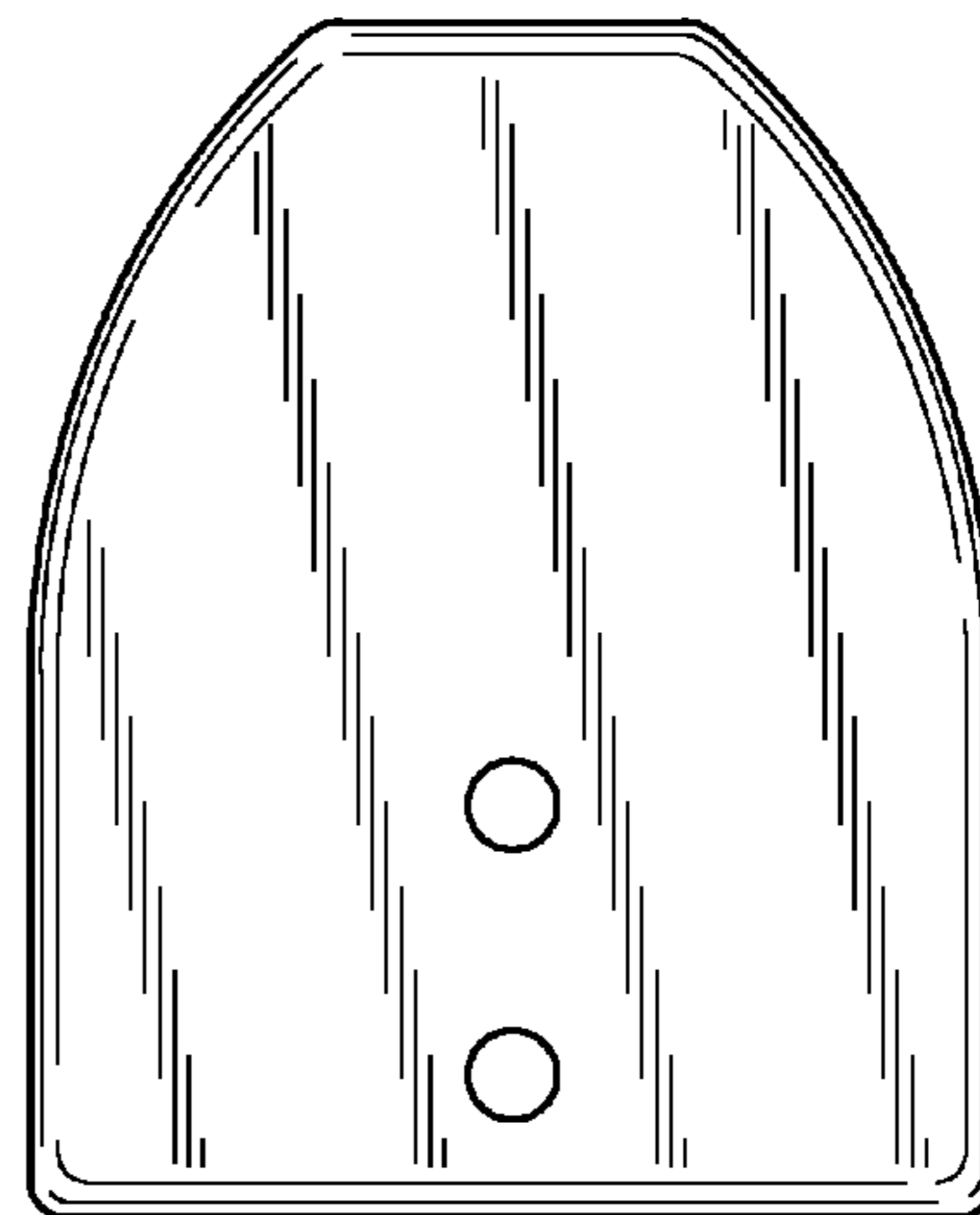


FIG. 6