



US00D578547S

(12) **United States Design Patent**
Shimomura et al.

(10) **Patent No.:** **US D578,547 S**
(45) **Date of Patent:** **** Oct. 14, 2008**

(54) **INTERNAL COMBUSTION ENGINE**

(75) Inventors: **Takashi Shimomura**, Takatsuki (JP);
Eishin Nakashima, Takarazuka (JP)

(73) Assignee: **Kubota Corporation**, Osaka (JP)

(**) Term: **14 Years**

(21) Appl. No.: **29/273,479**

(22) Filed: **Mar. 6, 2007**

(30) **Foreign Application Priority Data**

Nov. 8, 2006 (JP) D2006-030508

(51) **LOC (8) Cl.** **15-01**

(52) **U.S. Cl.** **D15/1**

(58) **Field of Classification Search** D15/1-5,
D15/149, 14, 17; D13/112, 184, 199; D34/15;
74/606 R; 56/320.2; 123/47.1, 306, 308,
123/661, 667, 84.47, 572, 657, 195 C, 198 E,
123/50 A, 50 B, 50 R, 65 R, 70 R, 198 R;
180/89.1

See application file for complete search history.

(56) **References Cited**

U.S. PATENT DOCUMENTS

D310,373 S * 9/1990 Ishii et al. D15/1
D416,265 S * 11/1999 Kato et al. D15/1
D421,024 S * 2/2000 Katoh D15/1

D487,751 S * 3/2004 Neeley et al. D15/5
6,857,399 B2 * 2/2005 Davis et al. 123/41.7
D557,280 S * 12/2007 Osumi D15/1
2004/0007198 A1 * 1/2004 Bonde et al. 123/195 C
2004/0025810 A1 * 2/2004 Davis et al. 123/41.7
2004/0025827 A1 * 2/2004 Davis 123/198 E

* cited by examiner

Primary Examiner—Ian Simmons

Assistant Examiner—Wan Laymon

(74) *Attorney, Agent, or Firm*—The Webb Law Firm

(57) **CLAIM**

The ornamental design for an internal combustion engine, as shown and described.

DESCRIPTION

FIG. 1 is a front view of an internal combustion engine showing our new design;

FIG. 2 is a rear view thereof;

FIG. 3 is a left side view thereof;

FIG. 4 is a right side view thereof;

FIG. 5 is a top plan view thereof;

FIG. 6 is a bottom view thereof;

FIG. 7 is a front right perspective view thereof;

FIG. 8 is a front left perspective view thereof; and,

FIG. 9 is a rear left perspective view thereof.

1 Claim, 9 Drawing Sheets

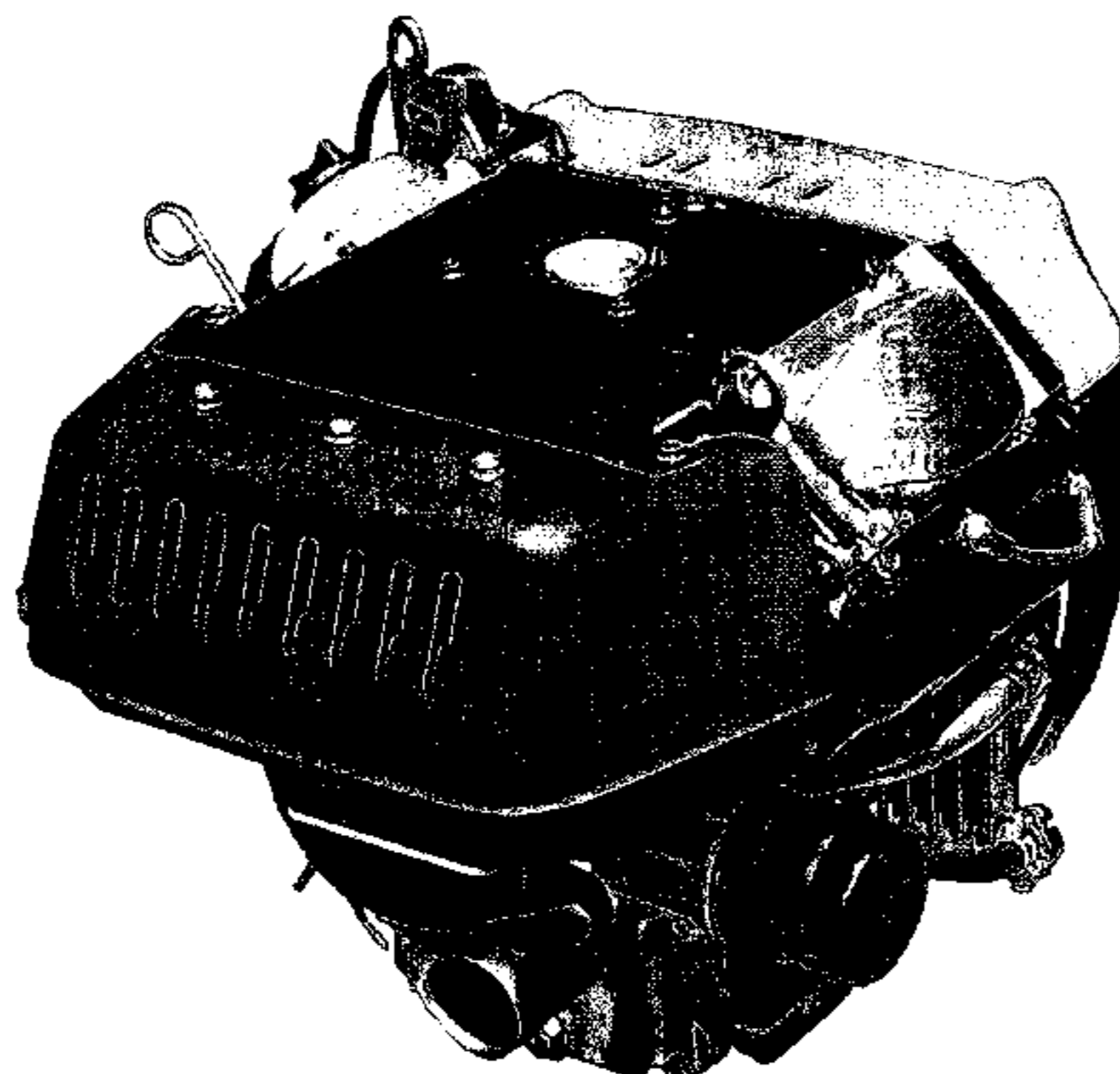
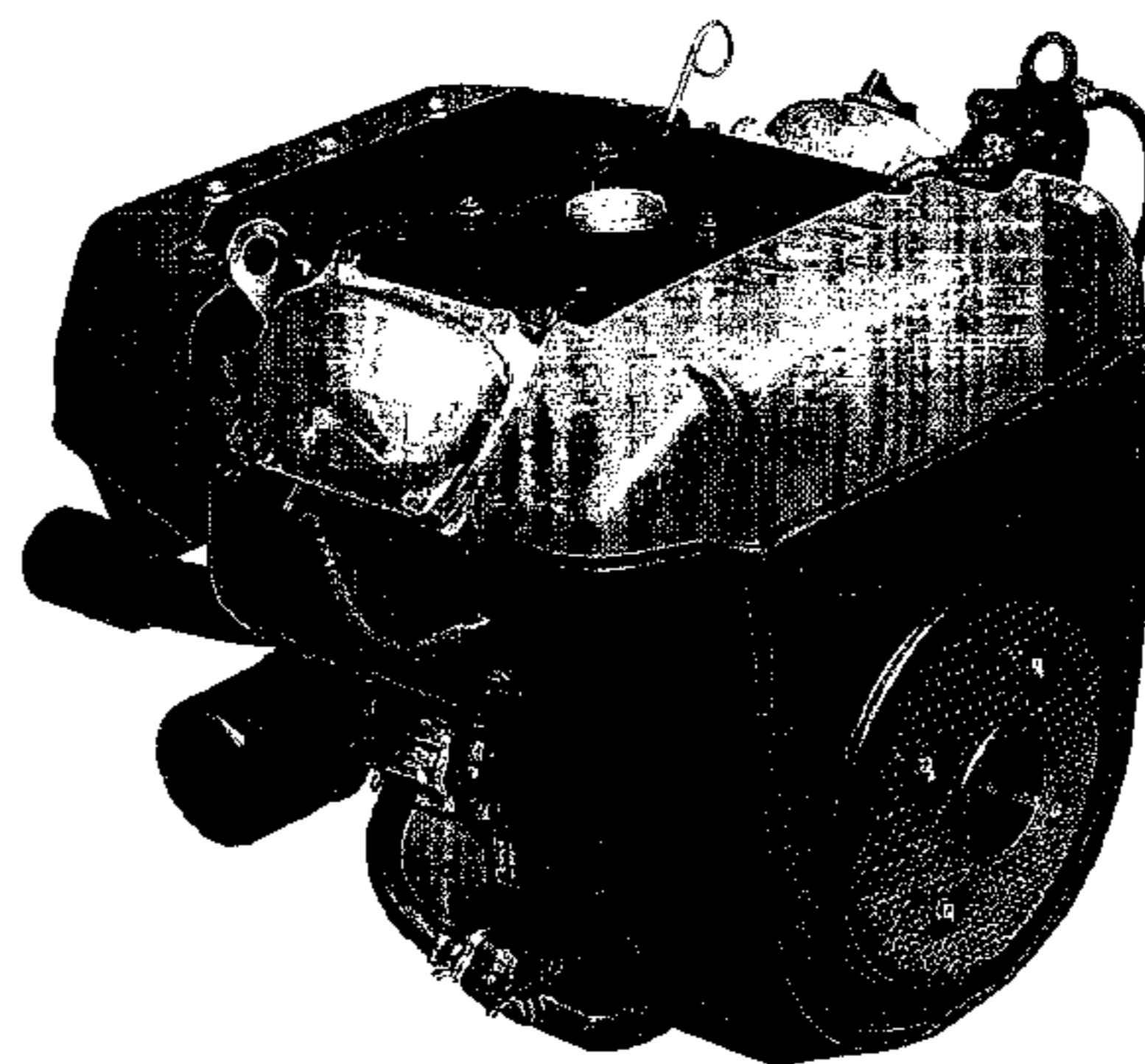
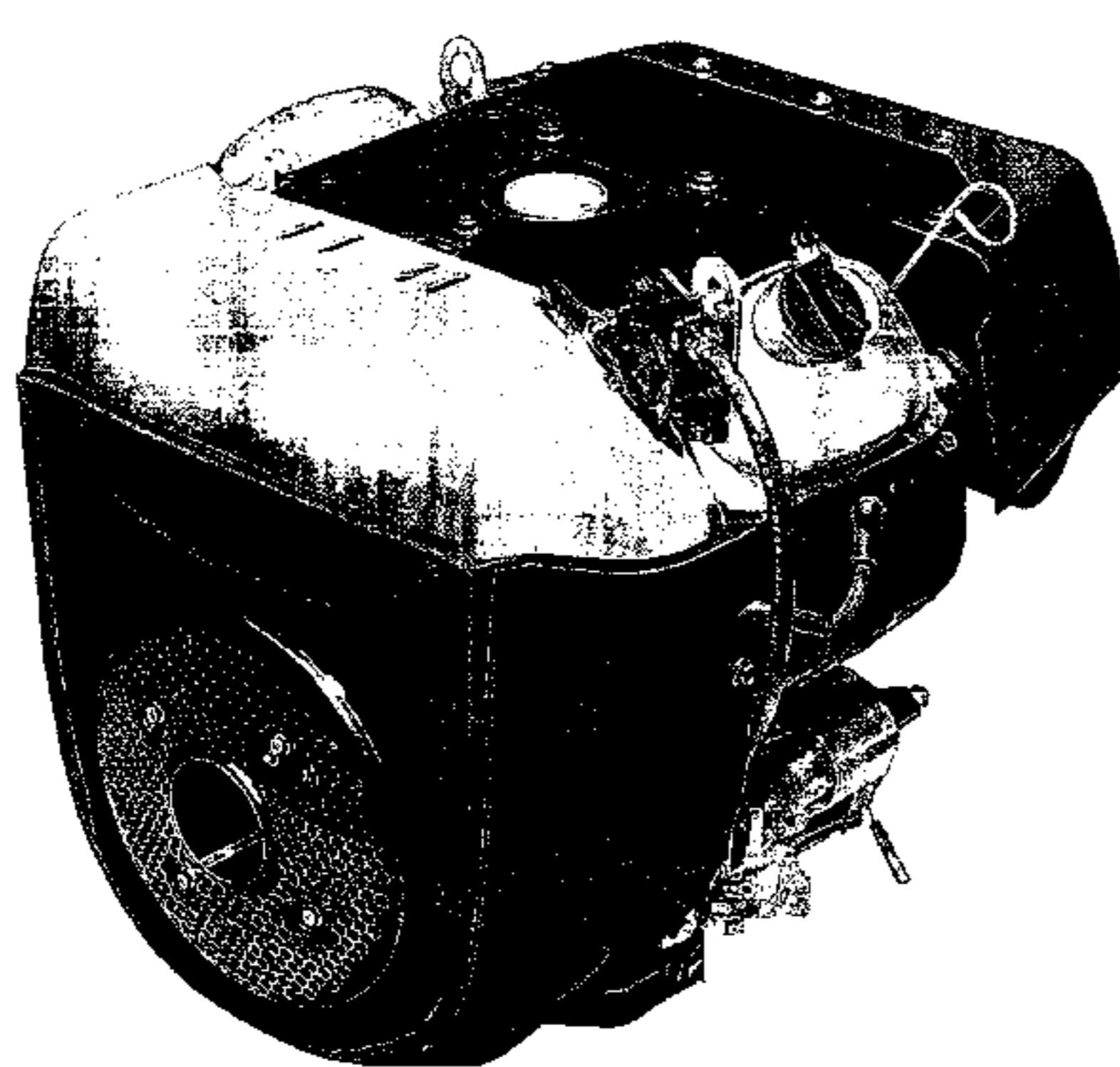


Figure 1

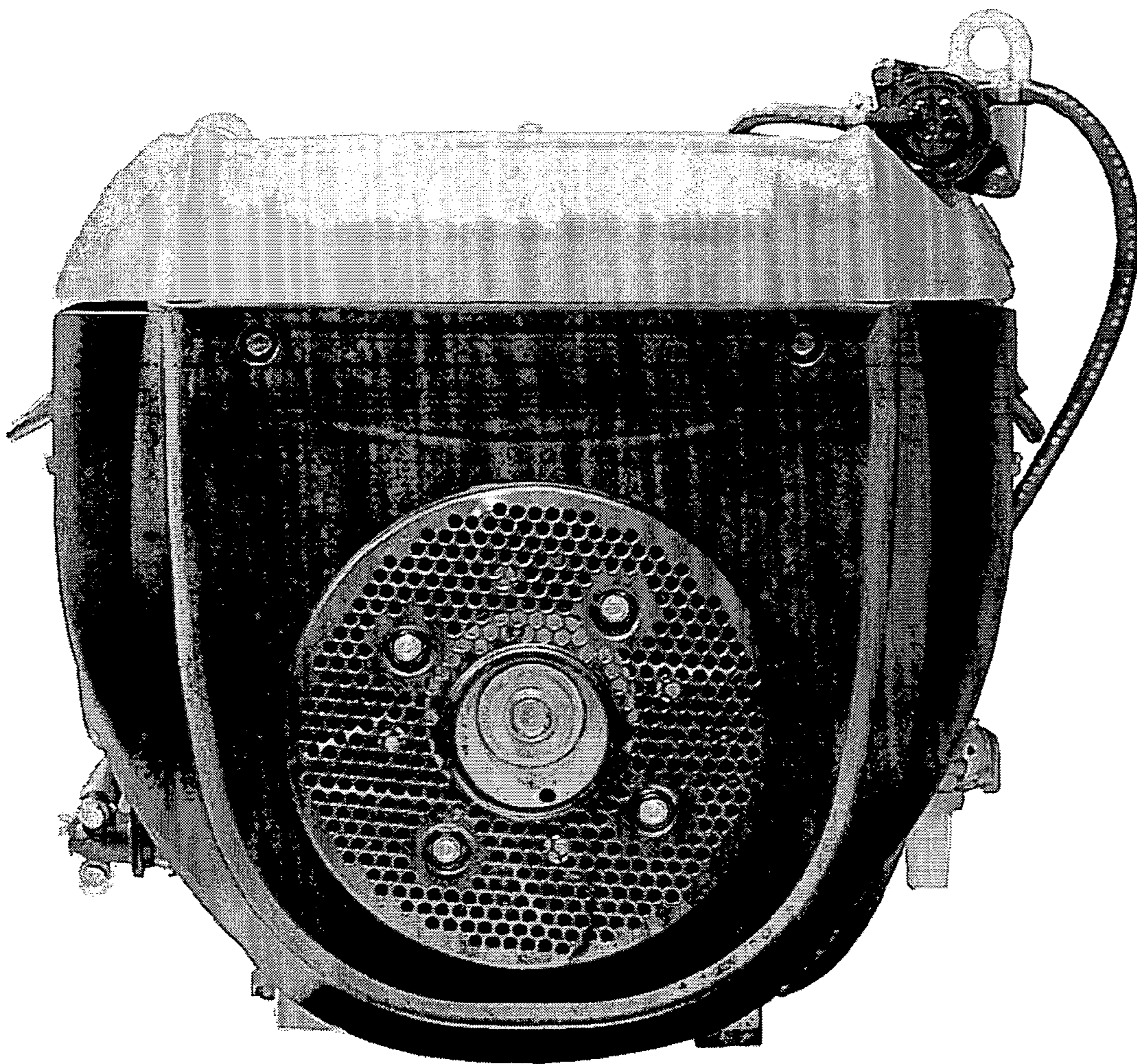


Figure 2

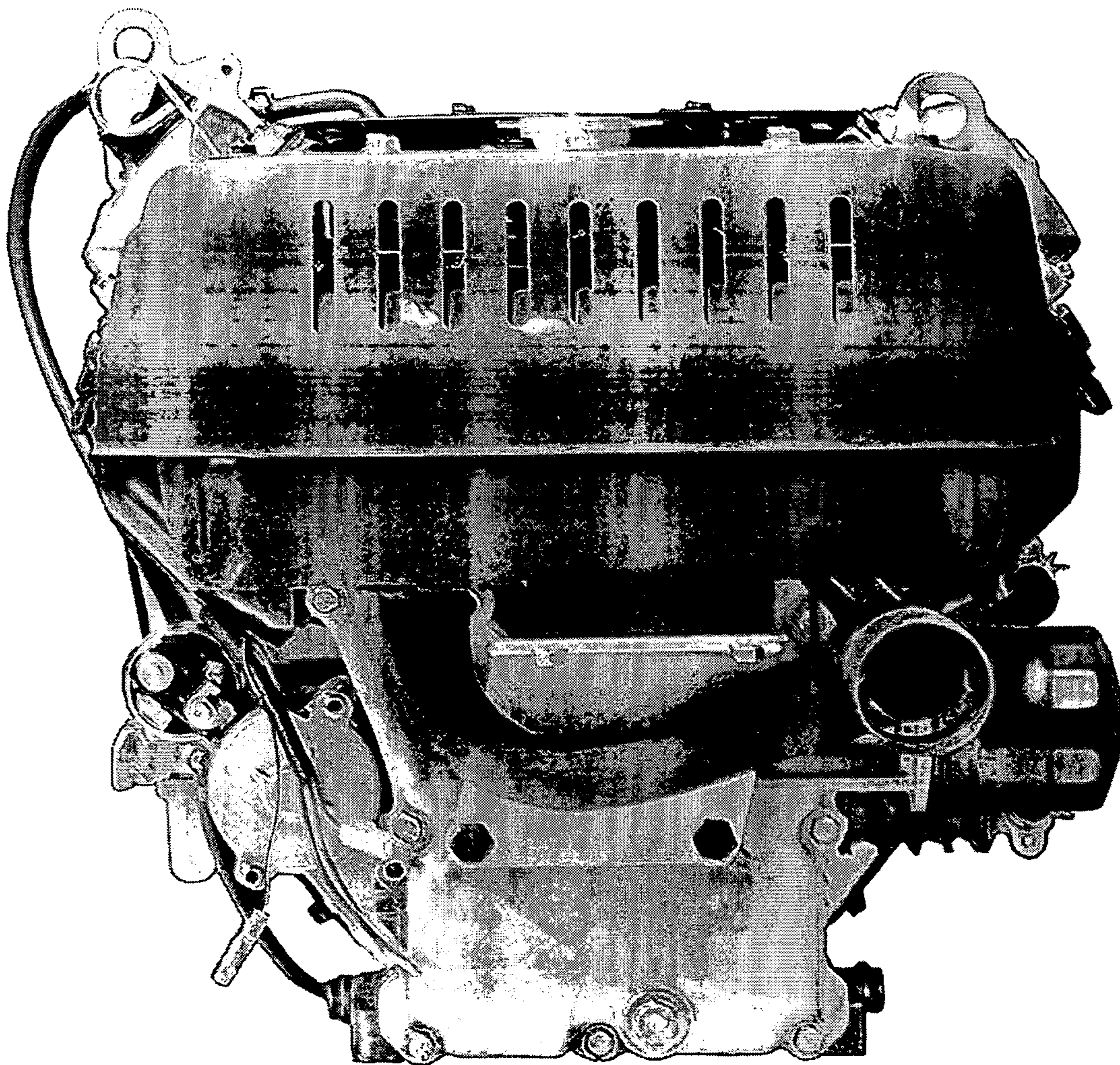


Figure 3

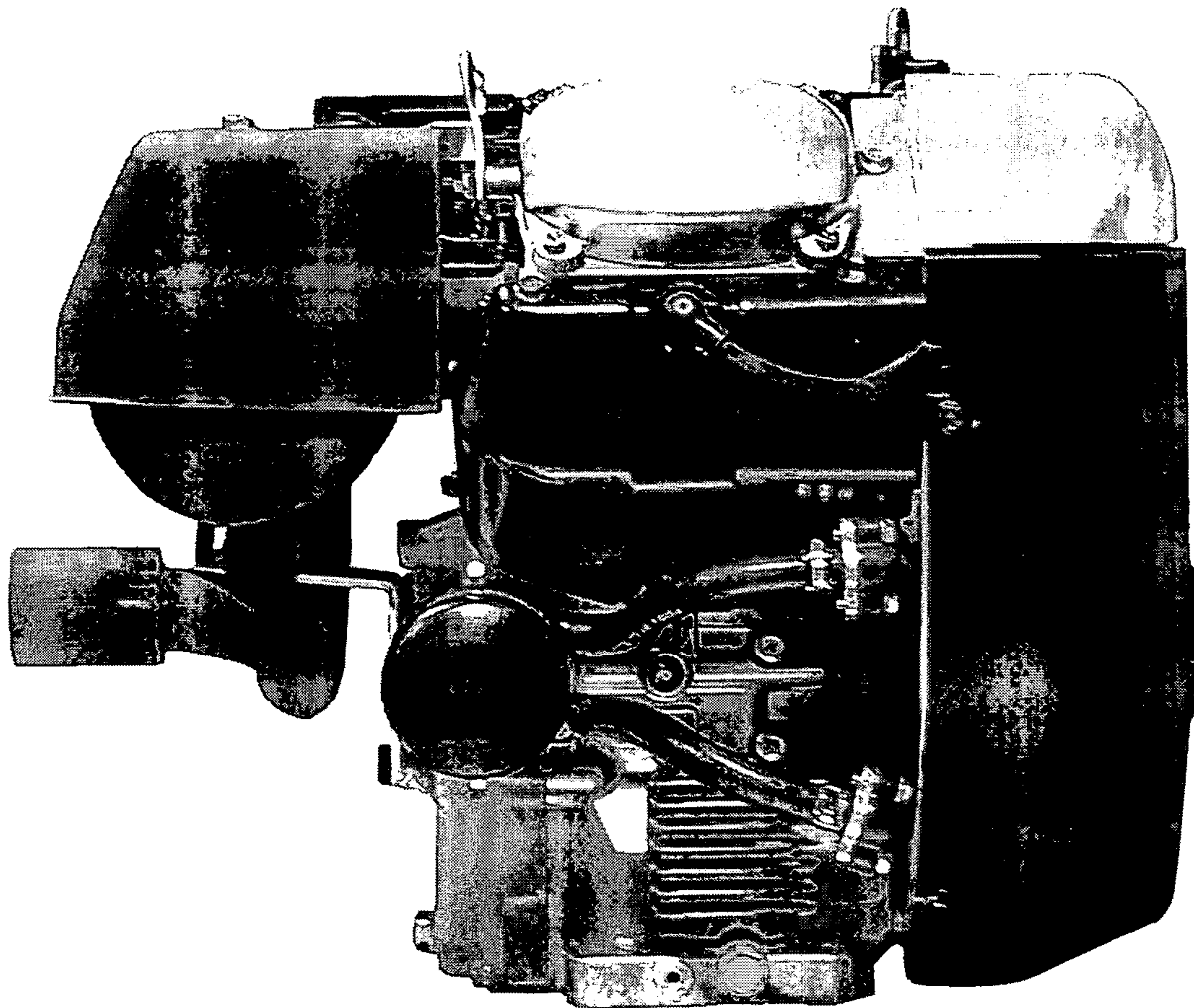


Figure 4

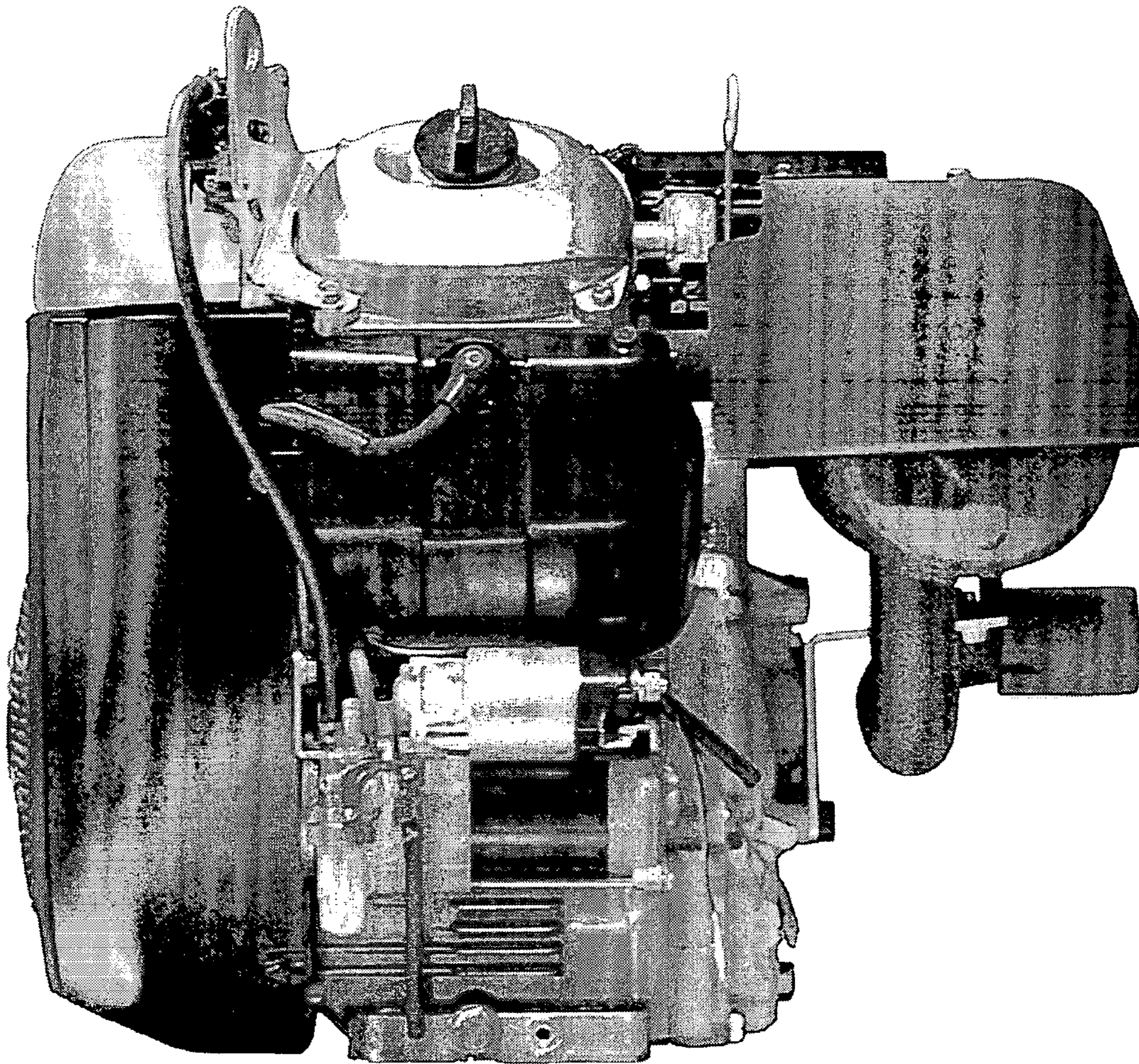


Figure 5

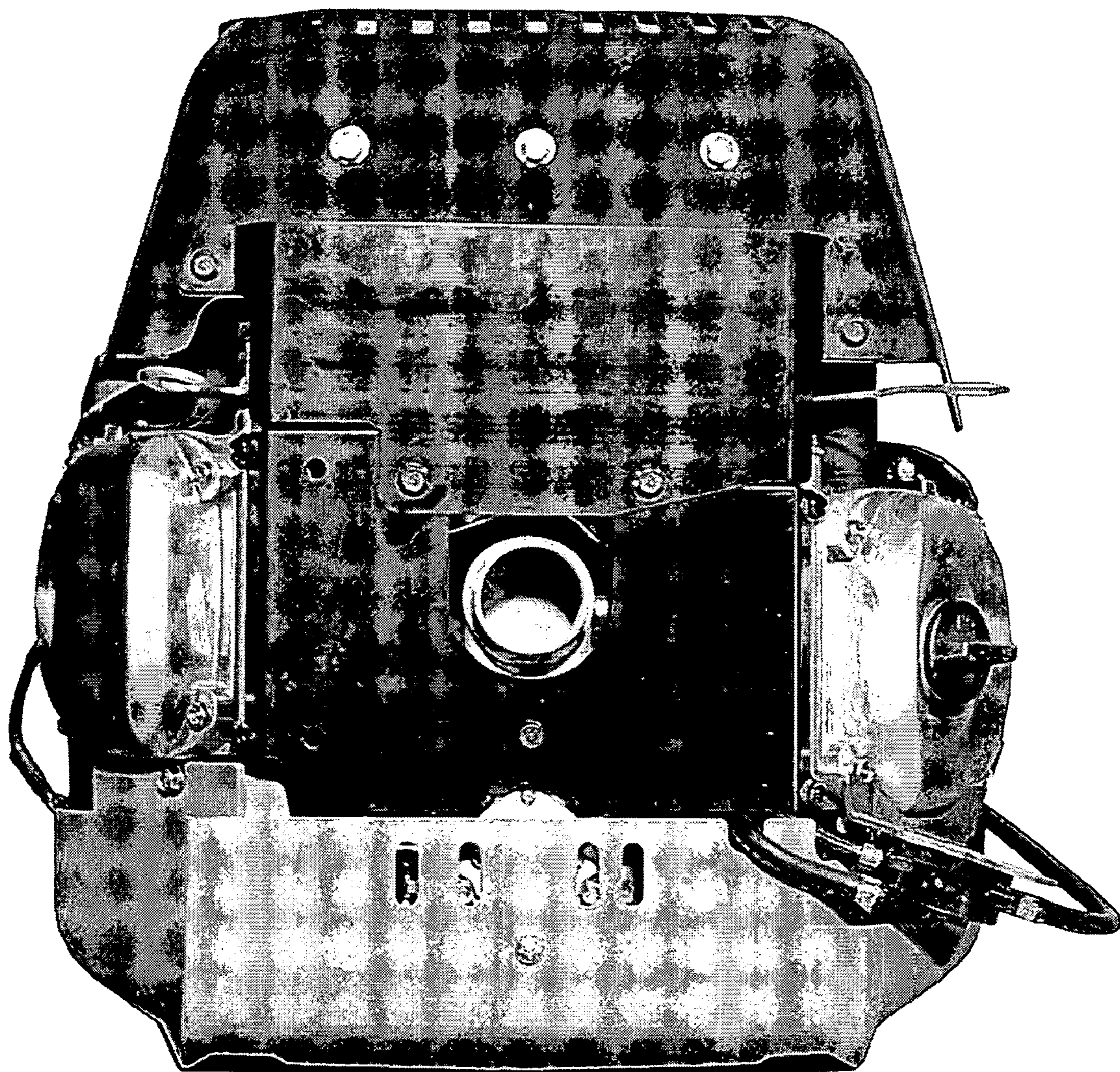


Figure 6

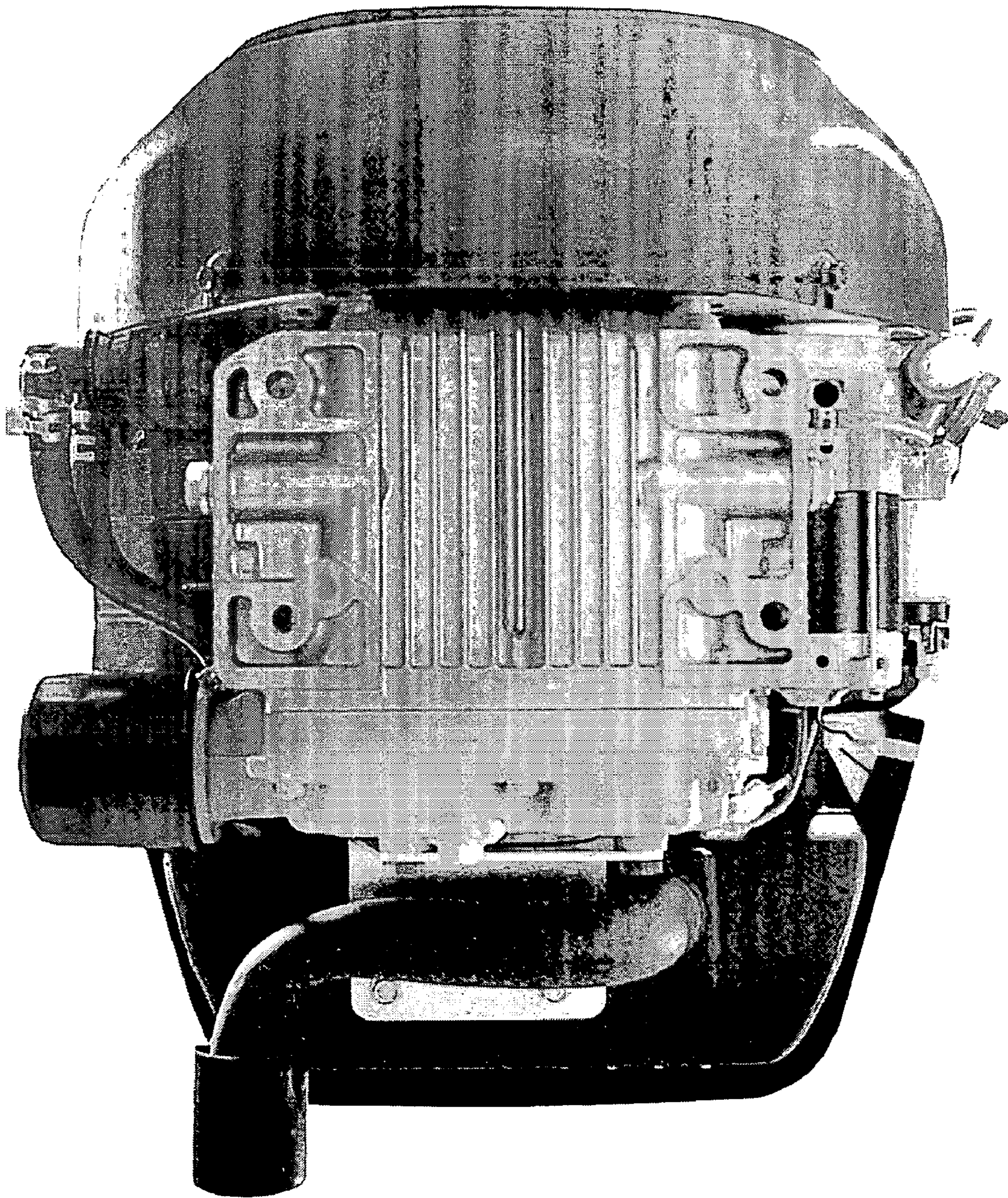


Figure 7

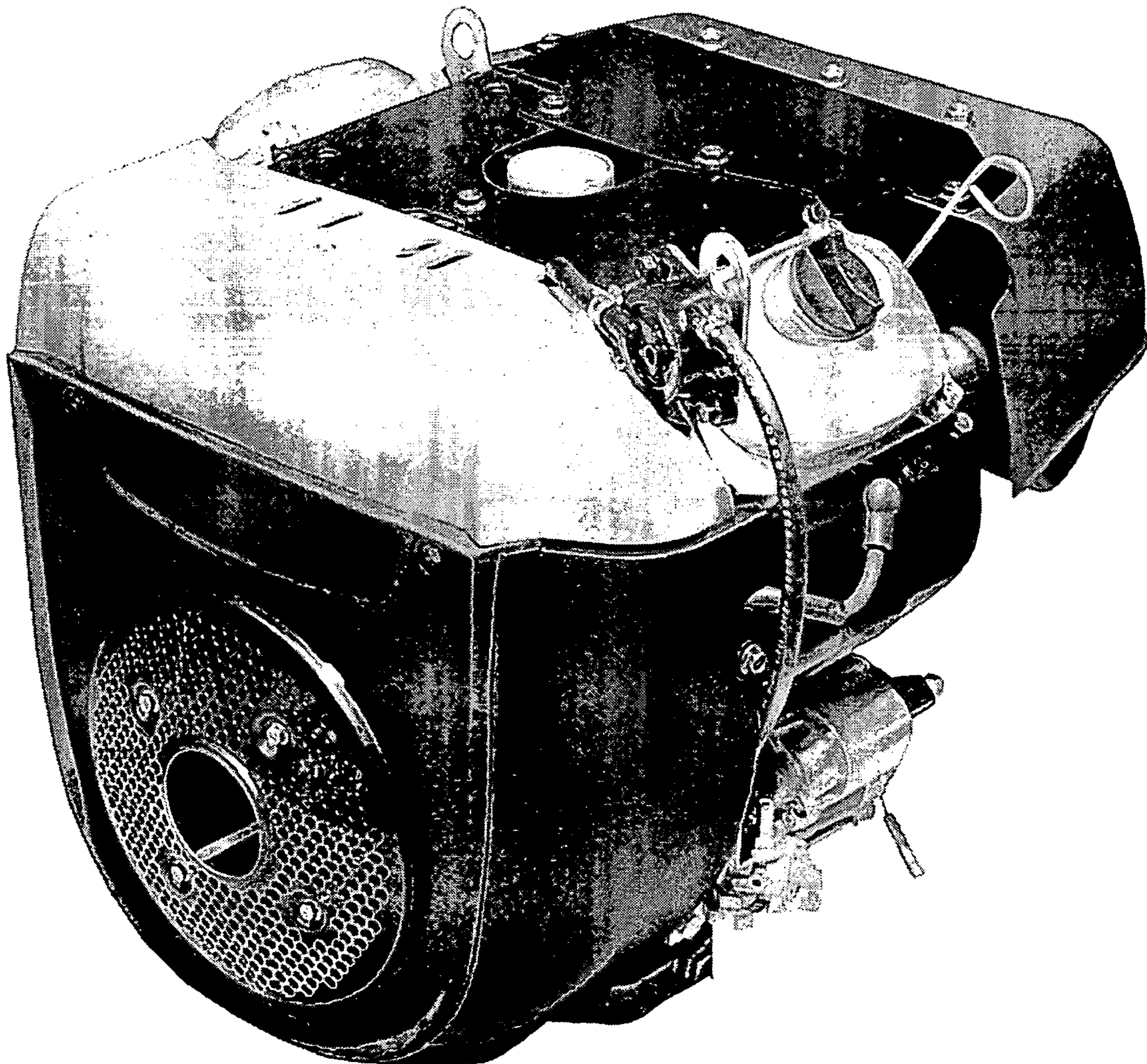


Figure 8

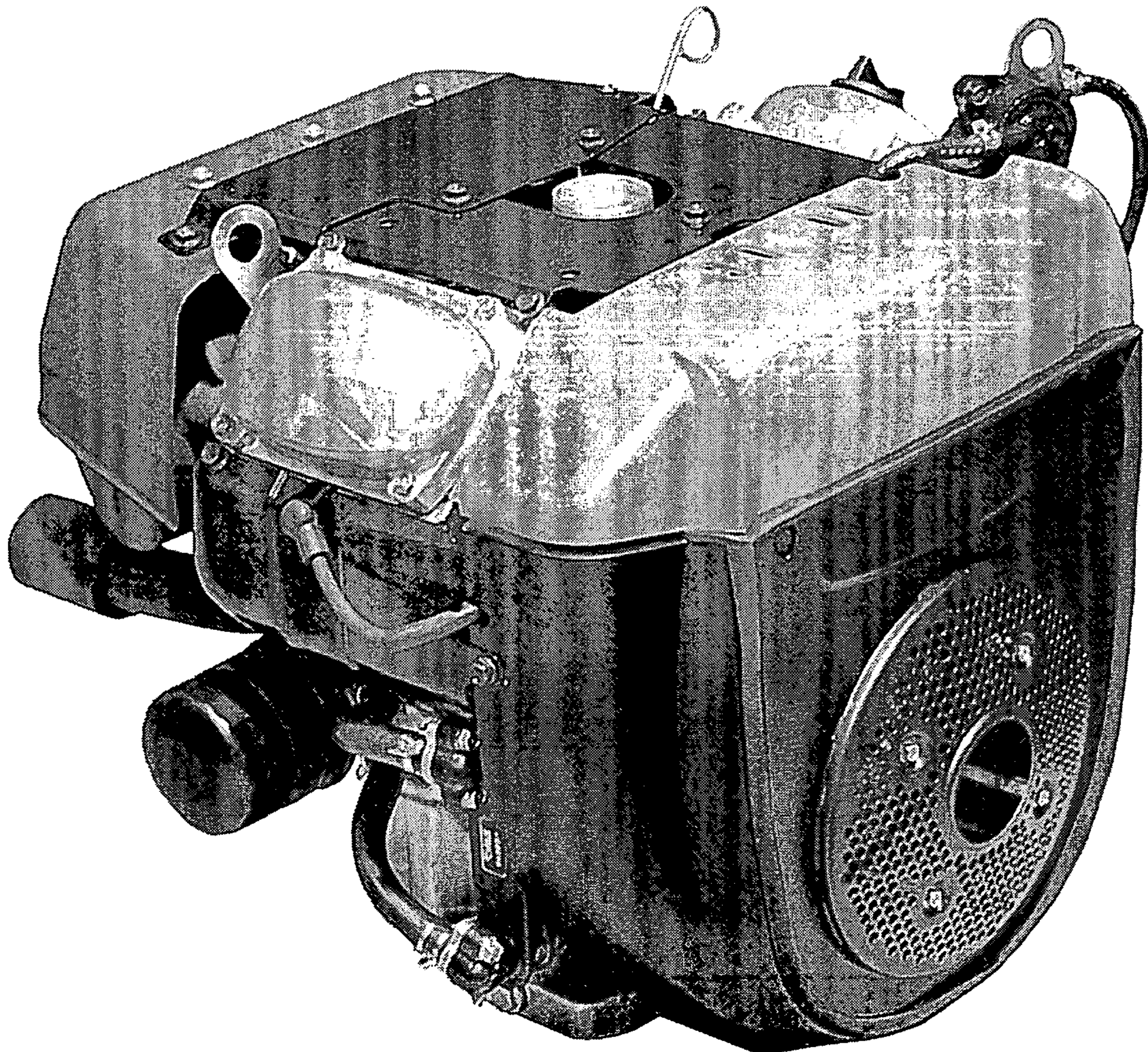


Figure 9

