



US00D578546S

(12) **United States Design Patent**
Fullerton

(10) **Patent No.:** **US D578,546 S**
(45) **Date of Patent:** **** Oct. 14, 2008**

(54) **AUDIO AND IMAGE DIGITAL FILE
STREAMING AND TRANSFER DEVICE**

(75) **Inventor:** **Robert Fullerton**, Mountain View, CA
(US)

(73) **Assignee:** **Aerielle Technologies, Inc**, Mountain
View, CA (US)

(**) **Term:** **14 Years**

(21) **Appl. No.:** **29/303,031**

(22) **Filed:** **Jan. 30, 2008**

(51) **LOC (8) Cl.** **14-03**

(52) **U.S. Cl.** **D14/496**

(58) **Field of Classification Search** D14/496,
D14/401, 436, 474, 483, 217, 137, 138, 160,
D14/168; 345/156, 169, 173-179, 905; 715/727-729,
715/864; 455/11, 1.7, 73, 334-347, 93, 95;
370/342-344; 369/1, 2, 6, 12; 463/43-47;
273/148 B

See application file for complete search history.

(56) **References Cited**

U.S. PATENT DOCUMENTS

6,122,526 A * 9/2000 Parulski et al. 455/556.1
6,591,085 B1 * 7/2003 Grady 455/42
6,593,914 B1 * 7/2003 Nuovo et al. 345/169
D486,813 S * 2/2004 Chun D14/156
D489,052 S * 4/2004 Shiraki et al. D14/156

6,743,104 B1 * 6/2004 Ota et al. 463/44
6,977,675 B2 * 12/2005 Kotzin 348/208.2
D538,779 S * 3/2007 Nohara D14/167
D553,640 S * 10/2007 Kimura et al. D14/496
7,281,214 B2 * 10/2007 Fadell 715/745
D558,793 S * 1/2008 Honda D14/496
D559,266 S * 1/2008 Oh D14/496

* cited by examiner

Primary Examiner—Prabhakar Deshmukh

(74) *Attorney, Agent, or Firm*—Craig M. Stainbrook;
Stainbrook & Stainbrook, LLP

(57) **CLAIM**

The ornamental design for an audio and image digital file
streaming and transfer device, as shown and described.

DESCRIPTION

FIG. 1 is a perspective view of an audio and image digital file
streaming and transfer device showing my new design;

FIG. 2 is a front elevational view thereof;

FIG. 3 is a right side elevational view thereof;

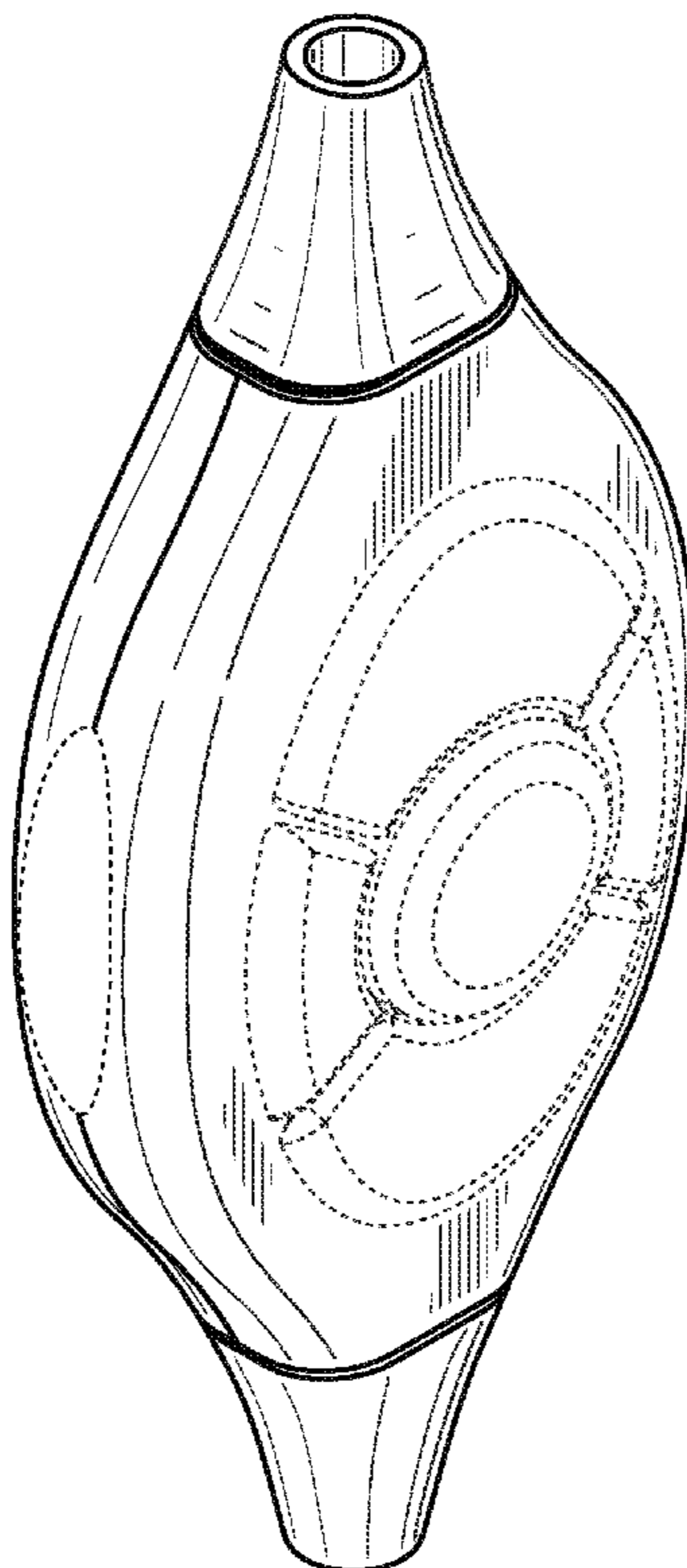
FIG. 4 is a rear elevational view thereof;

FIG. 5 is a top plan view thereof; and,

FIG. 6 is a bottom plan view thereof.

The portions/regions shown in broken lines are for illustrative
purpose and form no part of the claimed design.

1 Claim, 3 Drawing Sheets



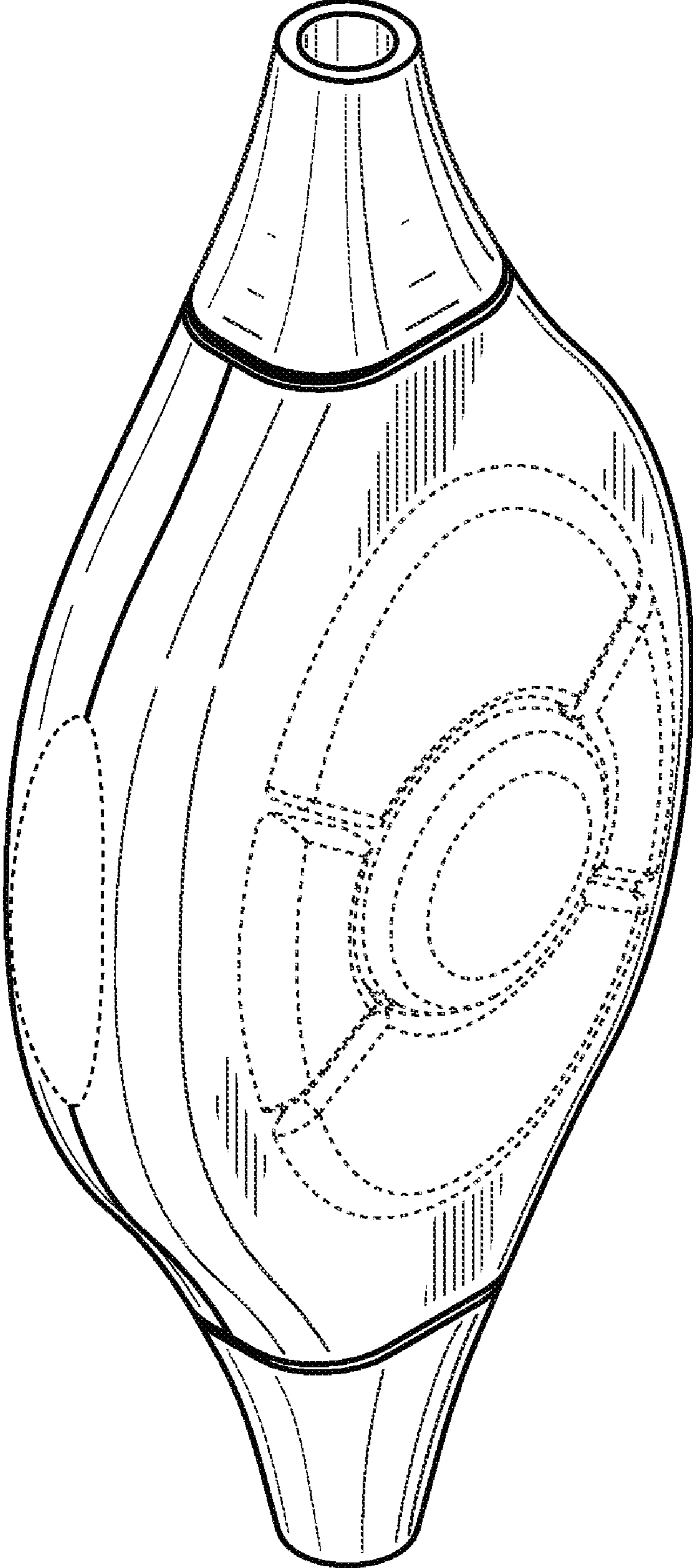


FIG. 1

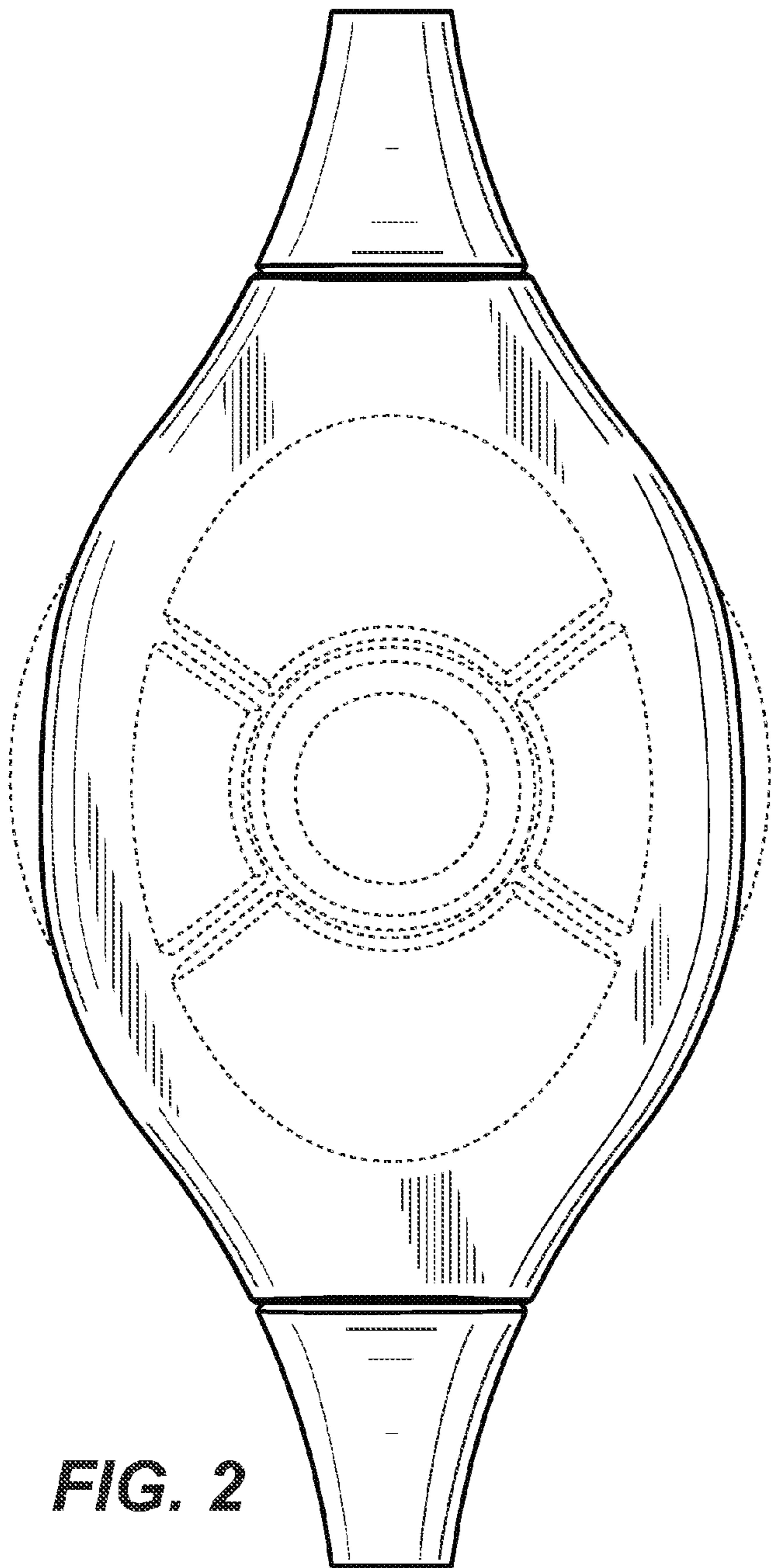


FIG. 2

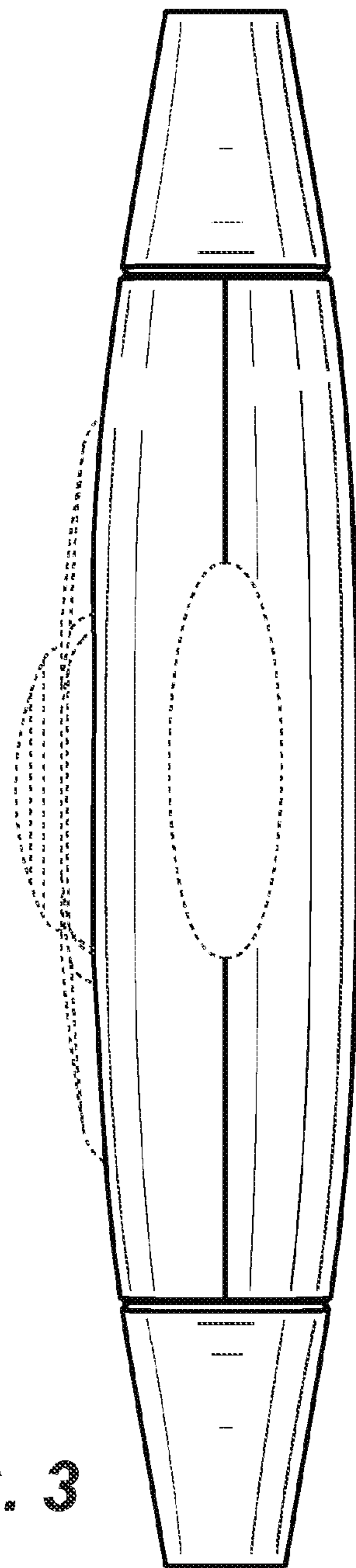


FIG. 3

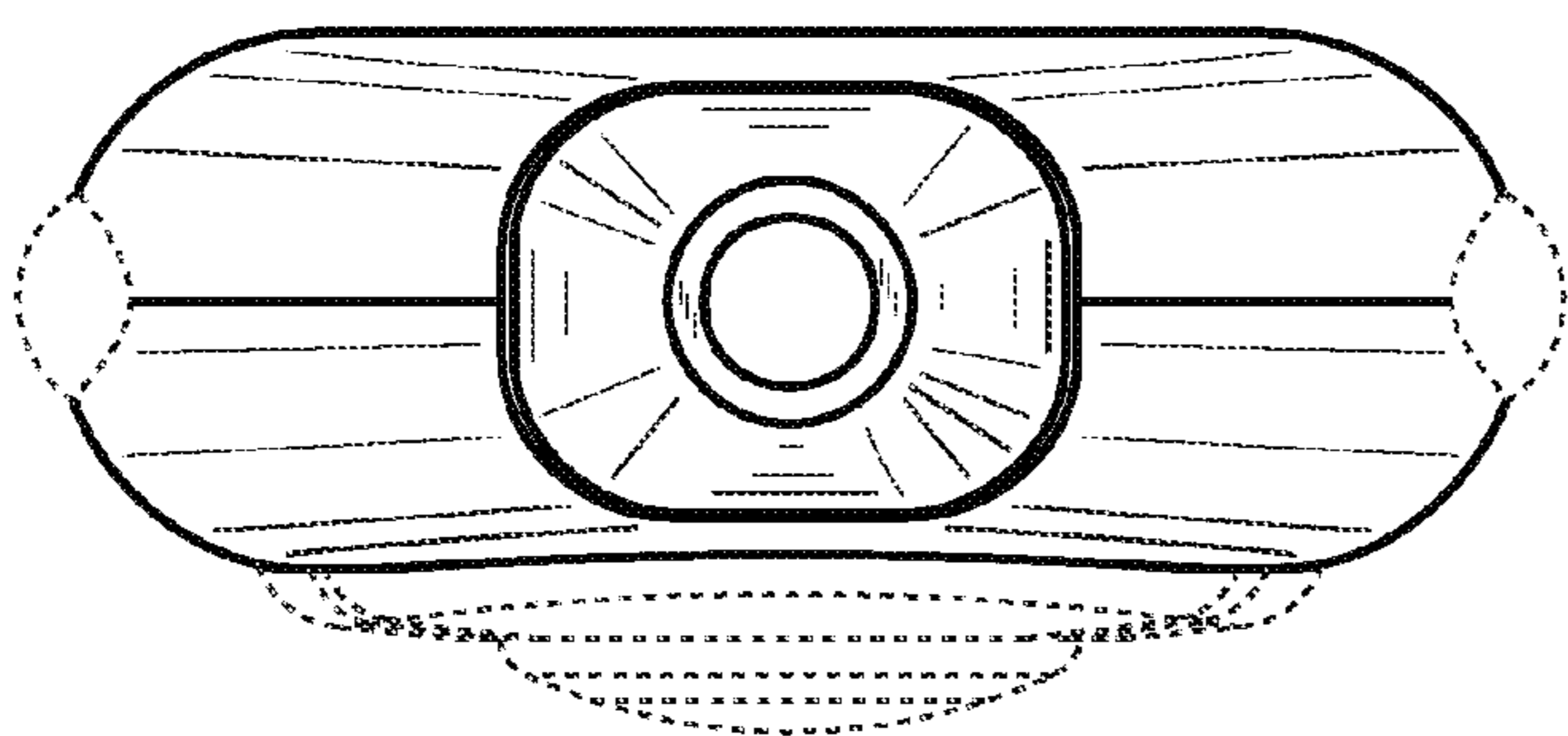


FIG. 5

FIG. 4

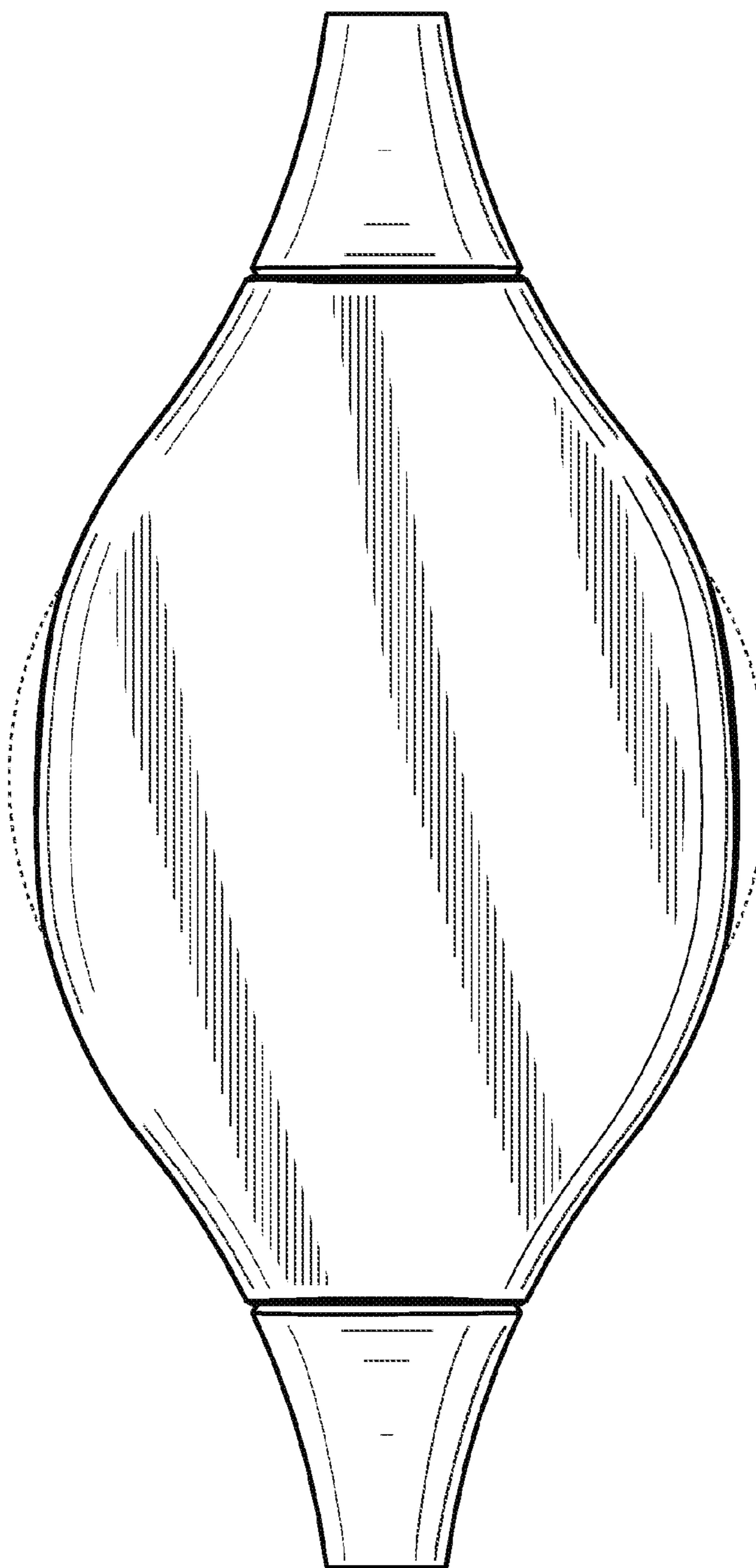


FIG. 6

