



US00D578540S

(12) **United States Design Patent**  
**Bouwknegt et al.**

(10) **Patent No.:** **US D578,540 S**  
(45) **Date of Patent:** **\*\* Oct. 14, 2008**

(54) **LAPTOP HOLDER**

(75) Inventors: **Janwillem Bouwknegt**, Leiden (NL);  
**Rick Blom**, Den Haag (NL)

(73) Assignee: **Bakker Elkhuisen Innovations B.V.**  
(NL)

(\*\*) Term: **14 Years**

(21) Appl. No.: **29/246,577**

(22) Filed: **Apr. 25, 2006**

(51) **LOC (8) Cl.** ..... **14-03**

(52) **U.S. Cl.** ..... **D14/447**

(58) **Field of Classification Search** ..... D14/316,  
D14/356, 375, 376, 432, 434, 439, 447, 448,  
D14/451, 452, 457, 460, 328, 324, 405; D6/300,  
D6/310, 311, 312, 419, 449, 512, 513; D19/20,  
D19/89, 90, 91; 108/10, 28, 32, 6; 248/442.2,  
248/454, 457, 460, 371, 447, 393, 398, 127,  
248/133, 136, 178.1, 455, 349.1, 346.03,  
248/176.1, 346.06, 346.04, 346.07, 346.01,  
248/441.1, 917, 918, 919, 920, 921, 922,  
248/923, 924; 361/683, 686  
See application file for complete search history.

(56) **References Cited**

U.S. PATENT DOCUMENTS

2,490,356 A \* 12/1949 Hummel ..... 248/463

D192,566 S \* 4/1962 Perry ..... D6/310  
D328,314 S \* 7/1992 MacEwan ..... D19/91  
D328,985 S \* 9/1992 Sheldon ..... D6/406.4  
5,678,800 A \* 10/1997 Markussen ..... 248/346.01  
D468,542 S \* 1/2003 Hennekes et al. .... D6/310  
D480,088 S \* 9/2003 Bakker et al. .... D14/447  
7,185,869 B2 \* 3/2007 Smith ..... 248/456  
2002/0122290 A1 \* 9/2002 Davis ..... 361/683

\* cited by examiner

*Primary Examiner*—Cathron Brooks

*Assistant Examiner*—Angela J Lee

(74) *Attorney, Agent, or Firm*—DLA Piper US LLP; Jennifer E. Lacroix

(57) **CLAIM**

The ornamental design for a laptop holder, as shown and described.

**DESCRIPTION**

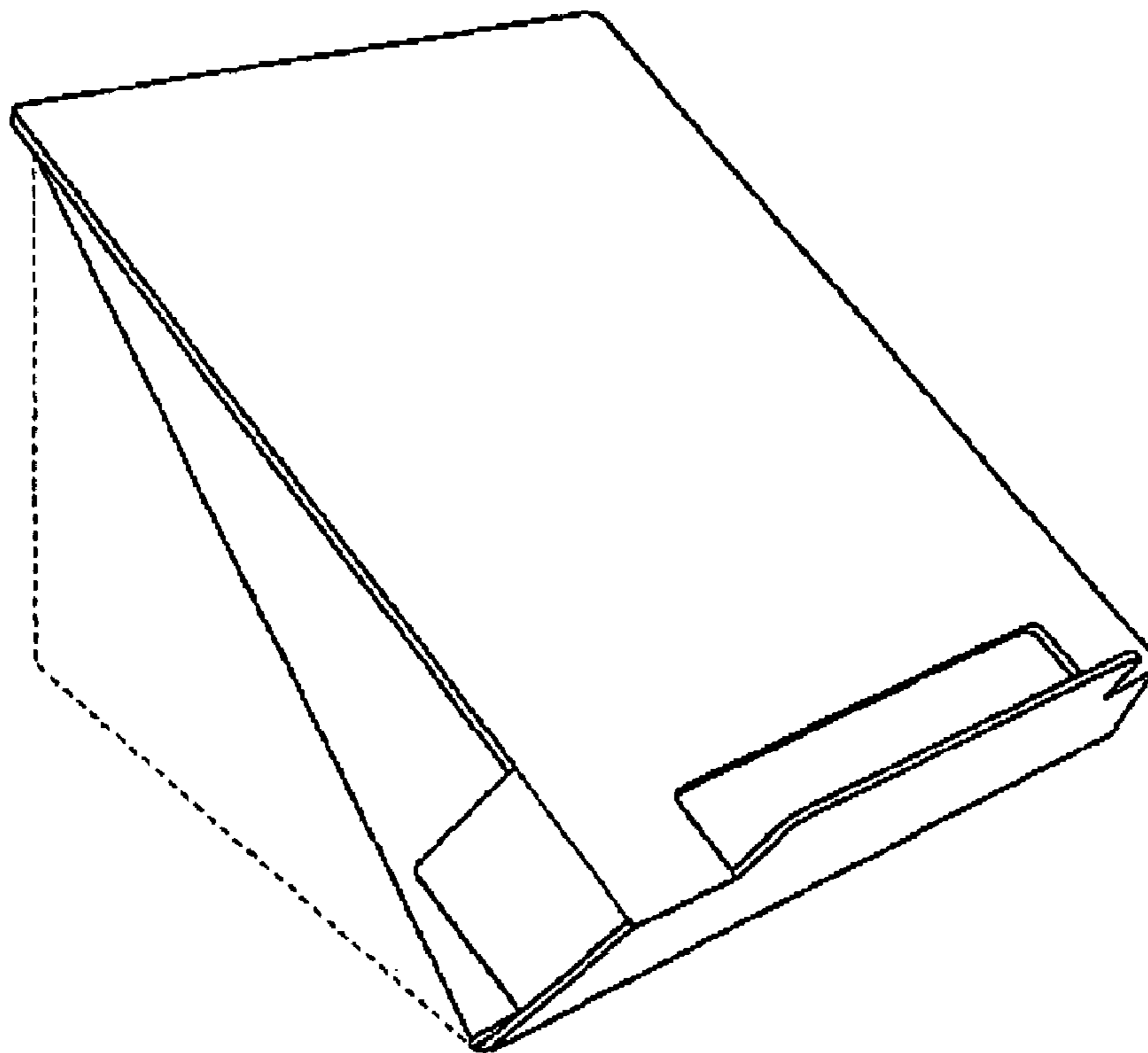
FIG. 1 is a side elevational view of a laptop holder according to the invention;

FIG. 2 is a perspective view of a laptop holder according to the invention; and,

FIG. 3 is front elevational view of a laptop holder according to the invention.

The back and bottom portions of the laptop holder shown in broken lines form no part of the claimed design.

**1 Claim, 3 Drawing Sheets**



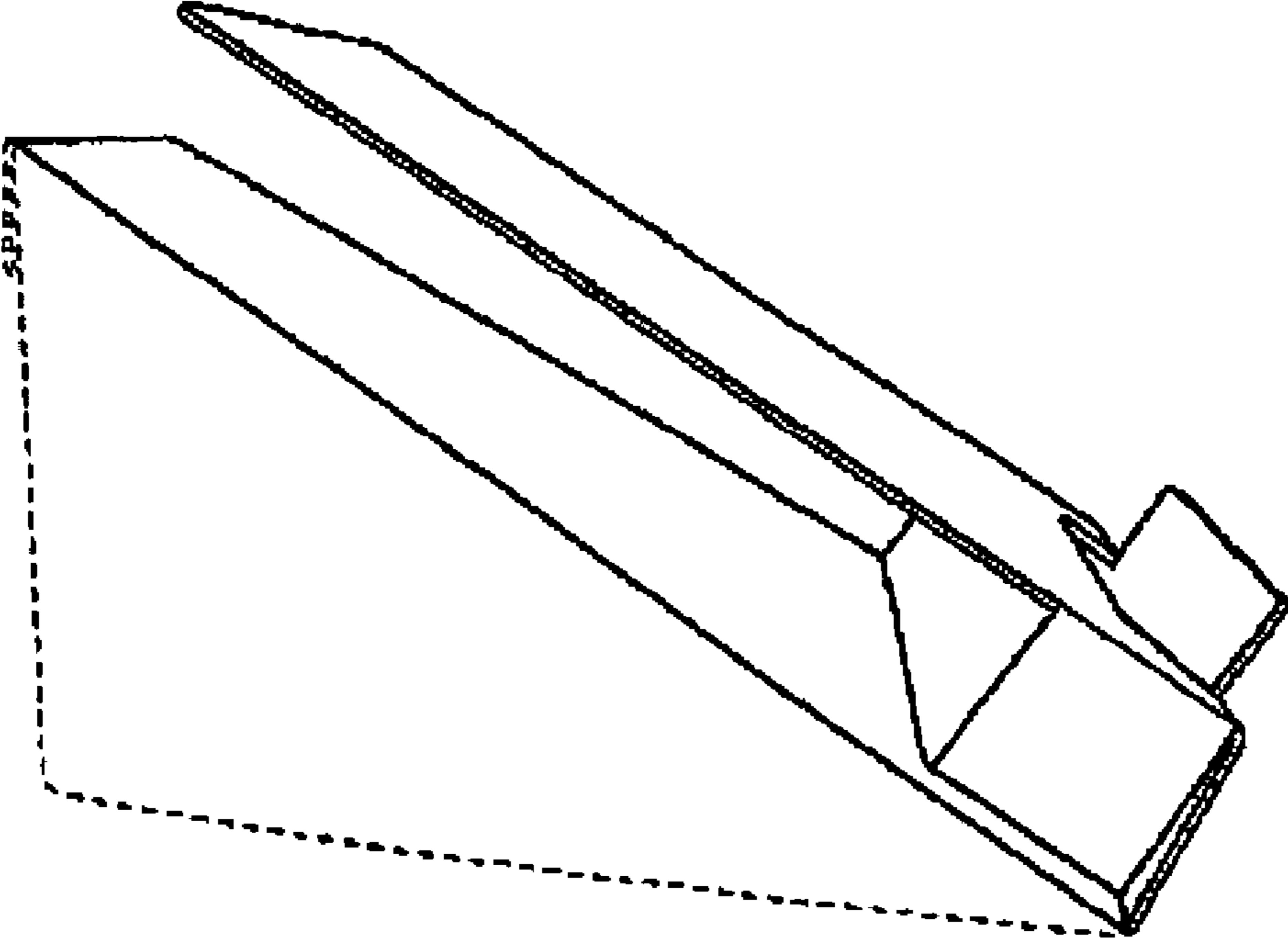


FIG. 1

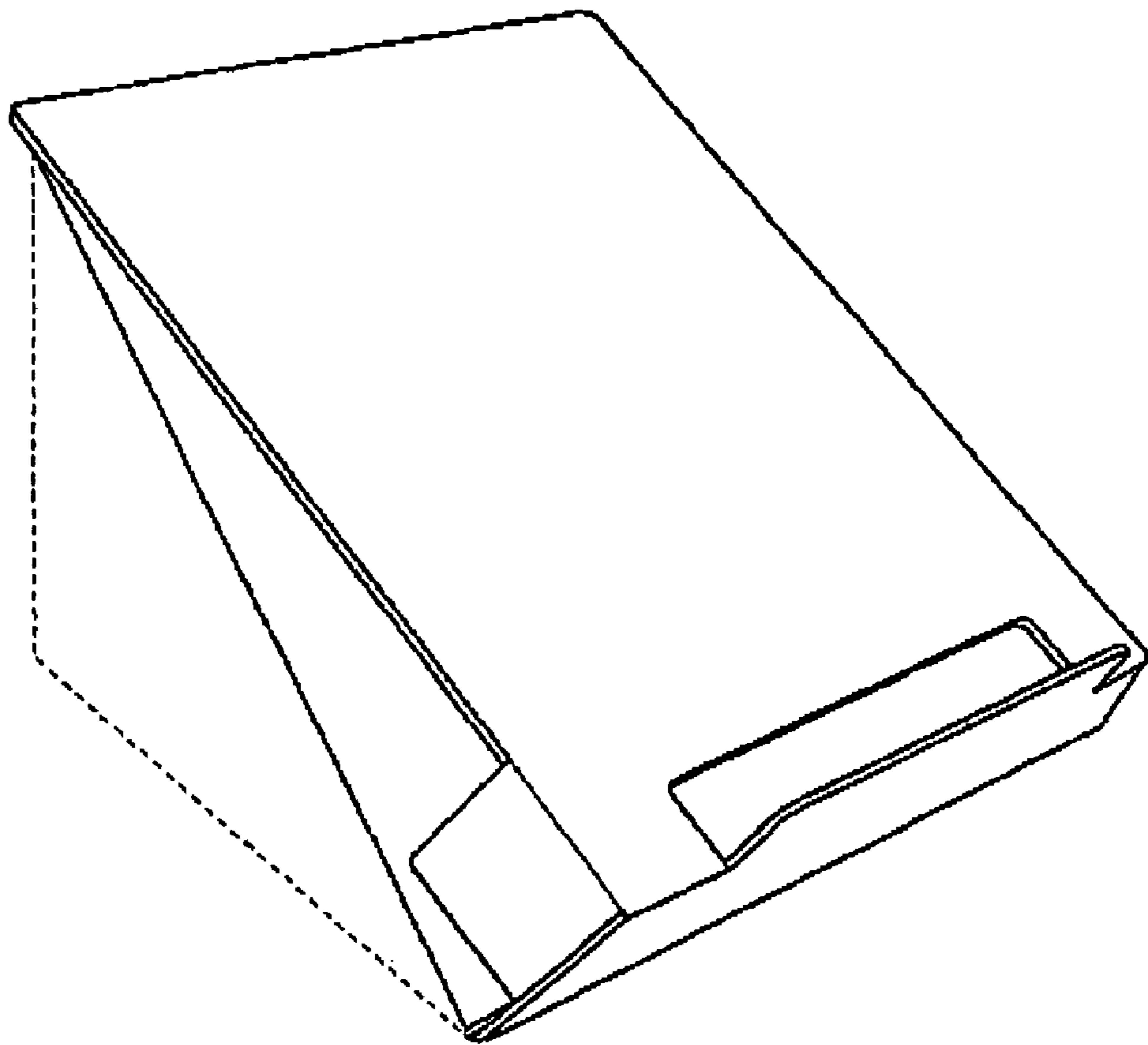
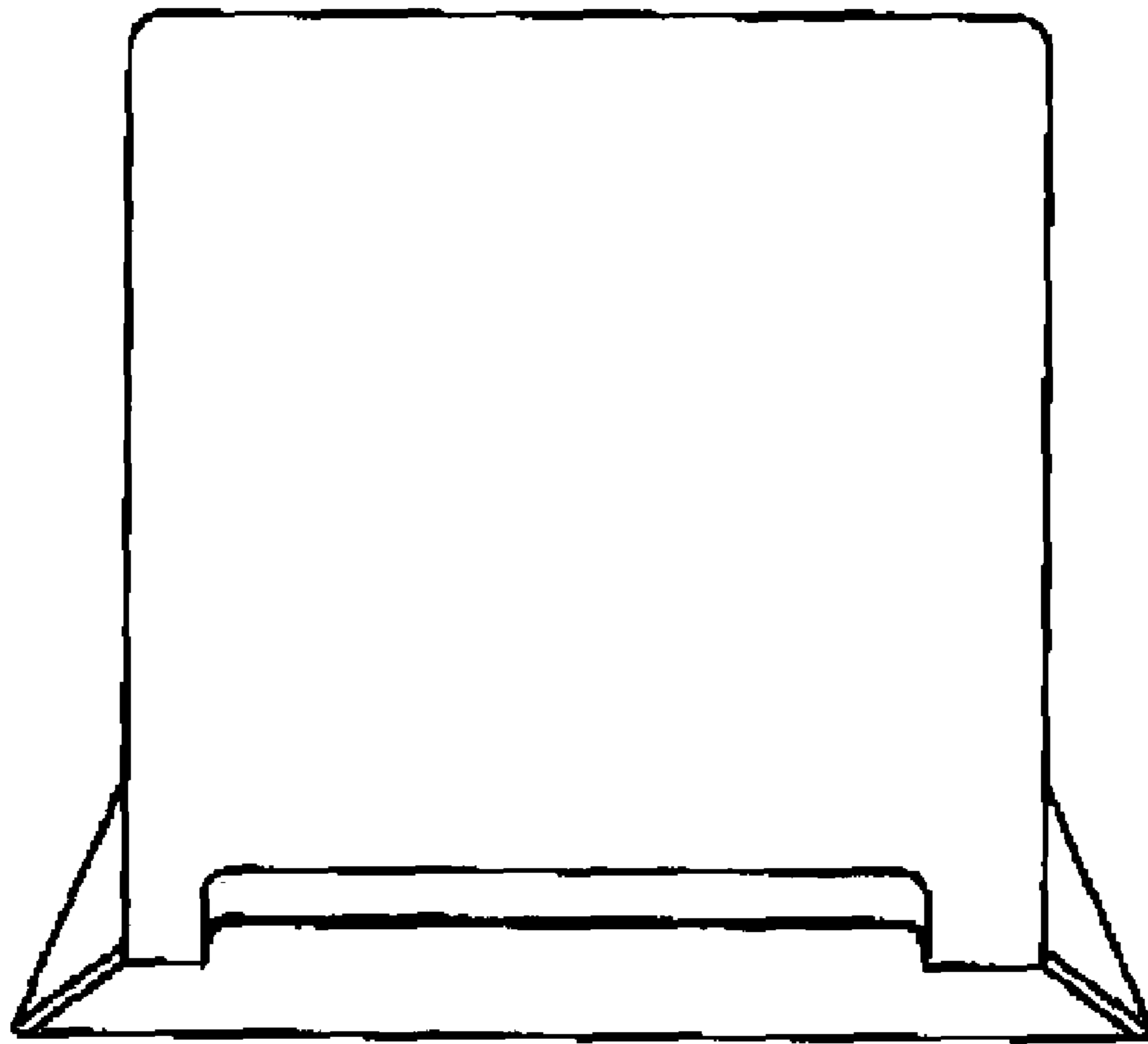


FIG. 2



**FIG. 3**

UNITED STATES PATENT AND TRADEMARK OFFICE  
**CERTIFICATE OF CORRECTION**

PATENT NO. : Des. 578,540 S  
APPLICATION NO. : 29/246577  
DATED : October 14, 2008  
INVENTOR(S) : Janwillem Bouwknecht et al.

Page 1 of 1

It is certified that error appears in the above-identified patent and that said Letters Patent is hereby corrected as shown below:

Title Page item 30

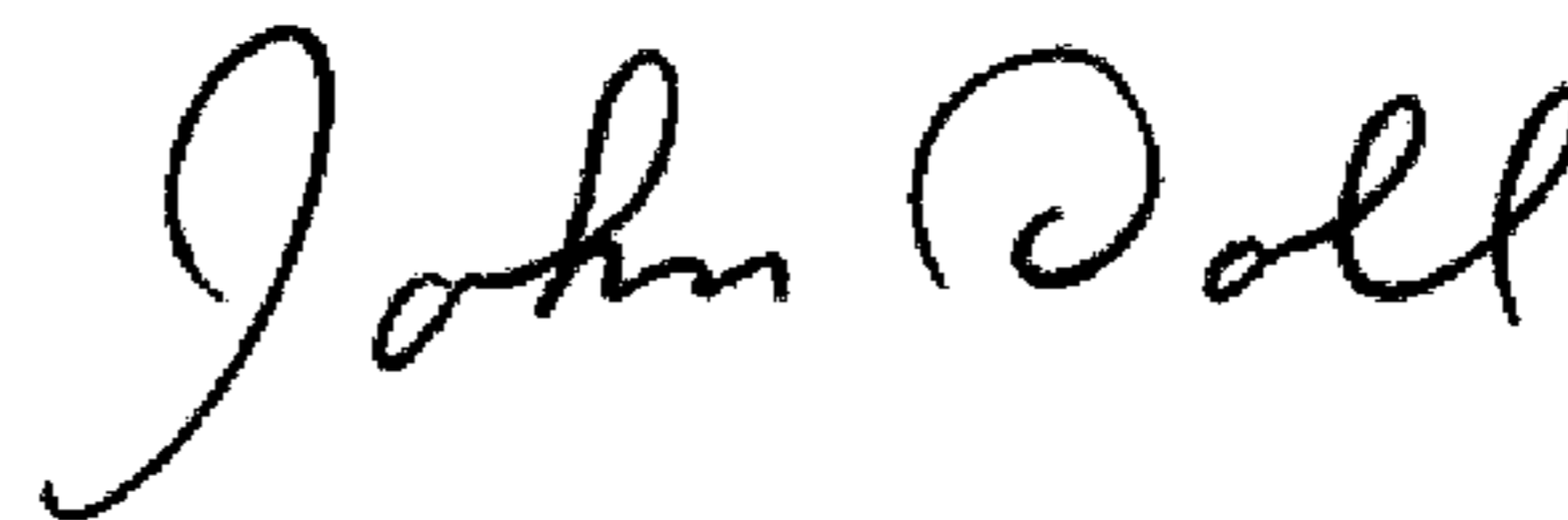
Please insert the following foreign priority data information:

--FOREIGN PRIORITY DATA

EPC 000488283 March 3, 2006--

Signed and Sealed this

Twenty-seventh Day of January, 2009



JOHN DOLL  
*Acting Director of the United States Patent and Trademark Office*