



US00D578539S

(12) **United States Design Patent**
Bouwknegt et al.

(10) **Patent No.:** **US D578,539 S**

(45) **Date of Patent:** **** *Oct. 14, 2008**

(54) **LAPTOP HOLDER**

(75) Inventors: **Janwillem Bouwknegt**, Leiden (NL);
Rick Blom, The Hague (NL)

(73) Assignee: **Bakker Elkhuisen Innovations B.V.**
(NL)

(*) Notice: This patent is subject to a terminal disclaimer.

(**) Term: **14 Years**

(21) Appl. No.: **29/246,576**

(22) Filed: **Apr. 25, 2006**

(51) **LOC (8) Cl.** **14-03**

(52) **U.S. Cl.** **D14/447**

(58) **Field of Classification Search** D14/316,
D14/356, 375, 376, 432, 434, 439, 447, 448,
D14/451, 452, 457, 460, 328, 324, 405; D6/300,
D6/310, 311, 312, 419, 449, 512, 513; D19/20,
D19/89, 90, 91; 108/10, 28, 32, 6; 248/442.2,
248/454, 457, 460, 371, 447, 393, 398, 127,
248/133, 136, 178.1, 455, 349.1, 346.03,
248/176.1, 346.06, 346.04, 346.07, 346.01,
248/441.1, 917, 918, 919, 920, 921, 922,
248/923, 924; 361/683, 686

See application file for complete search history.

(56) **References Cited**

U.S. PATENT DOCUMENTS

2,490,356 A * 12/1949 Hummel 248/463

D192,566 S * 4/1962 Perry D6/310
D328,314 S * 7/1992 MacEwan D19/91
D328,985 S * 9/1992 Sheldon D6/406.4
5,678,800 A * 10/1997 Markussen 248/346.01
D468,542 S * 1/2003 Hennekes et al. D6/310
D480,088 S * 9/2003 Bakker et al. D14/447
7,185,869 B2 * 3/2007 Smith 248/456
2002/0122290 A1 * 9/2002 Davis 361/683

* cited by examiner

Primary Examiner—Cathron Brooks

Assistant Examiner—Angela J Lee

(74) *Attorney, Agent, or Firm*—DLA Piper US LLP; Jennifer E. Lacroix

(57) **CLAIM**

The ornamental design for a laptop holder, as shown and described.

DESCRIPTION

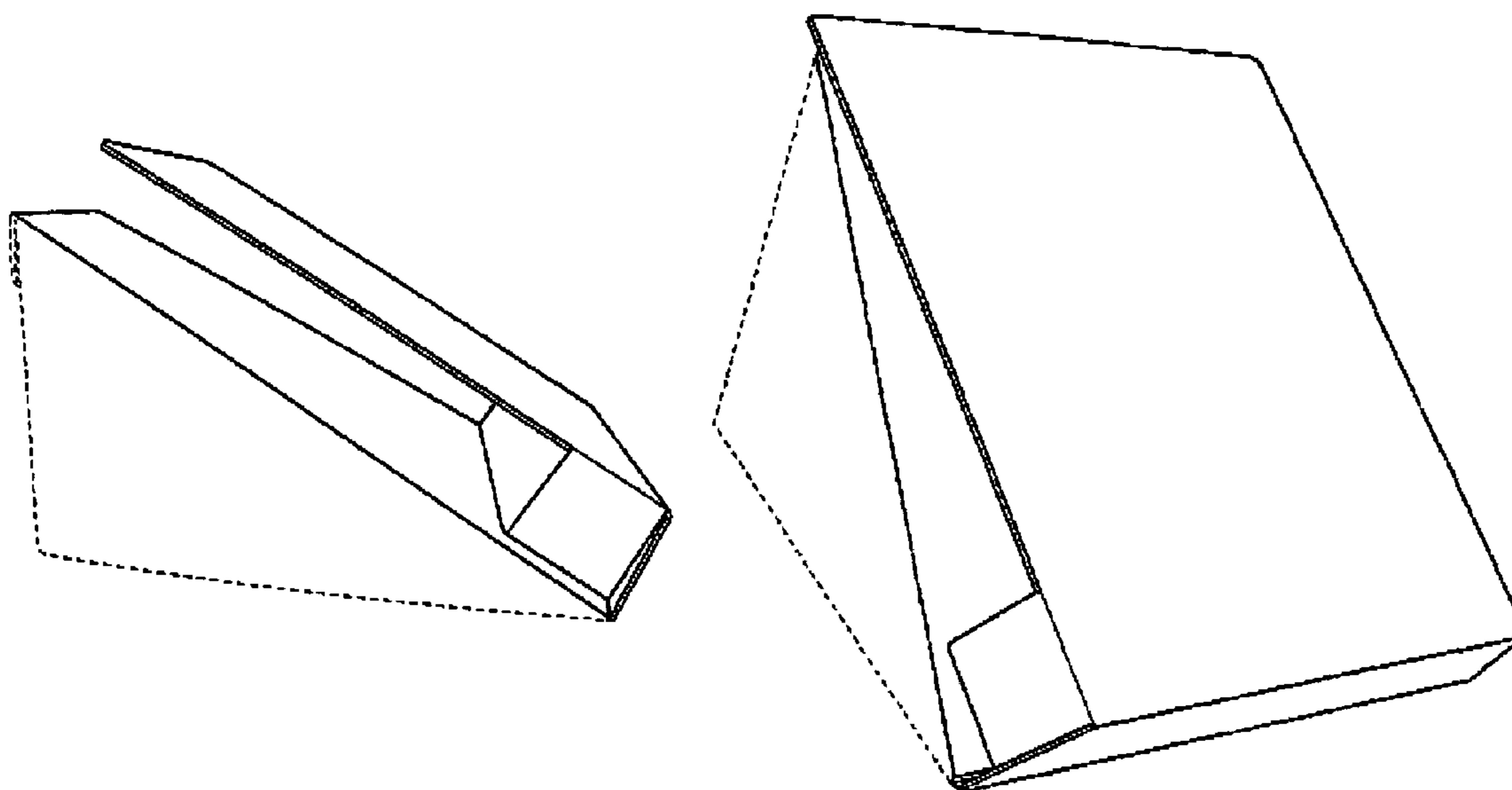
FIG. 1 is a side elevational view of a laptop holder according to the invention;

FIG. 2 is a perspective view of a laptop holder according to the invention; and,

FIG. 3 is front elevational view of laptop holder according to the invention.

The back and bottom portions of the laptop holder, shown in broken lines form no part of the claimed design.

1 Claim, 3 Drawing Sheets



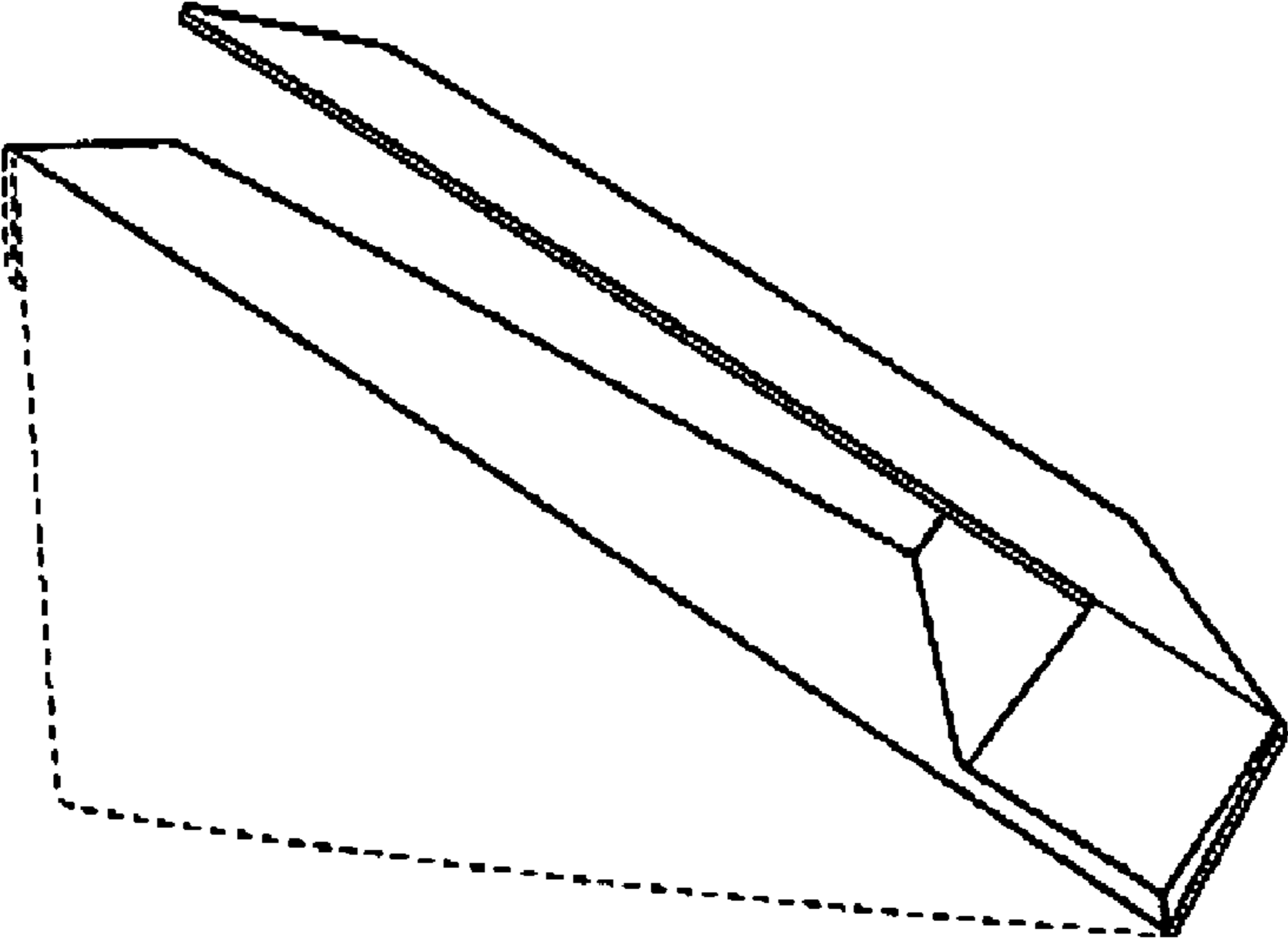


FIG. 1

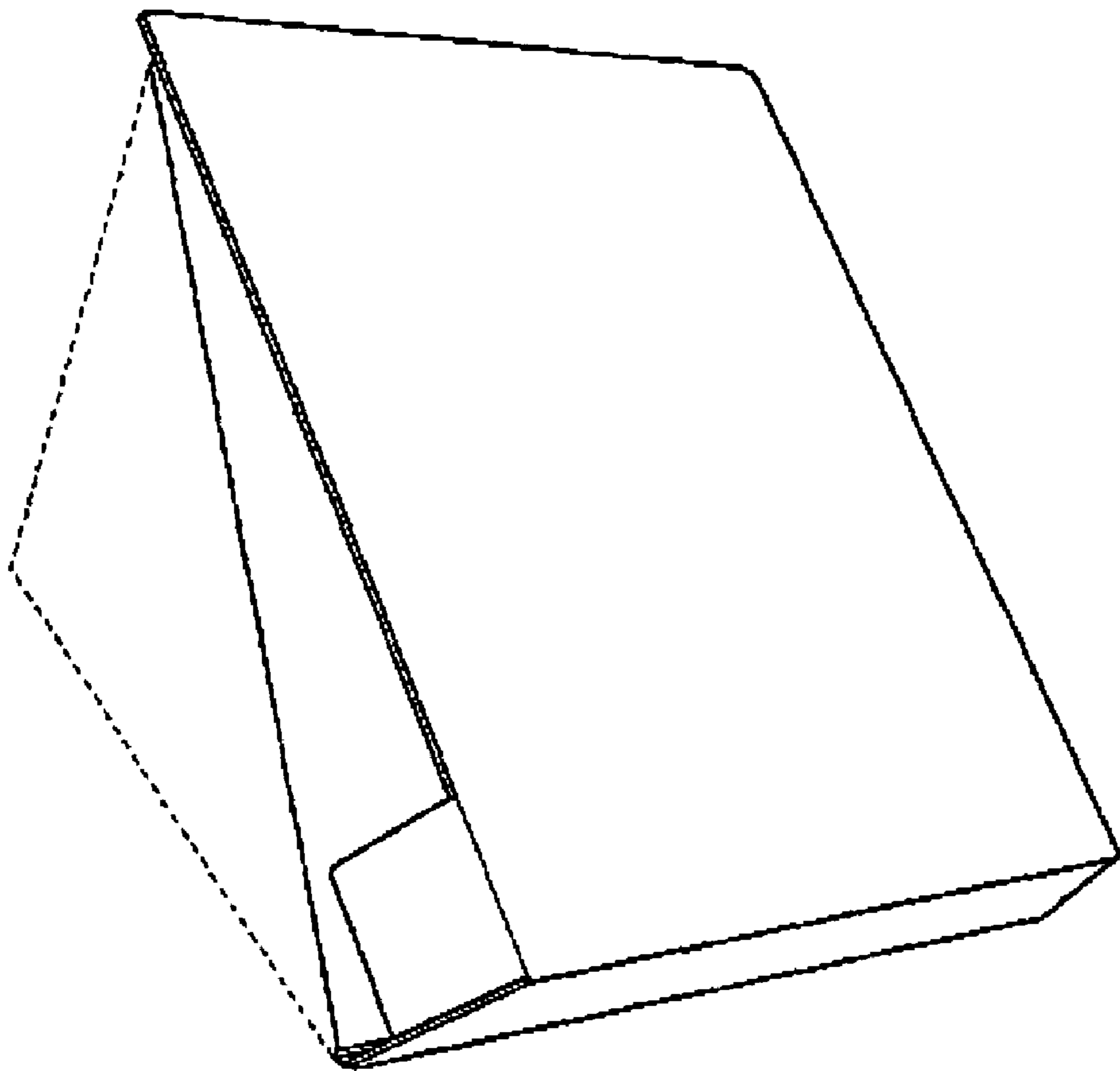


FIG. 2

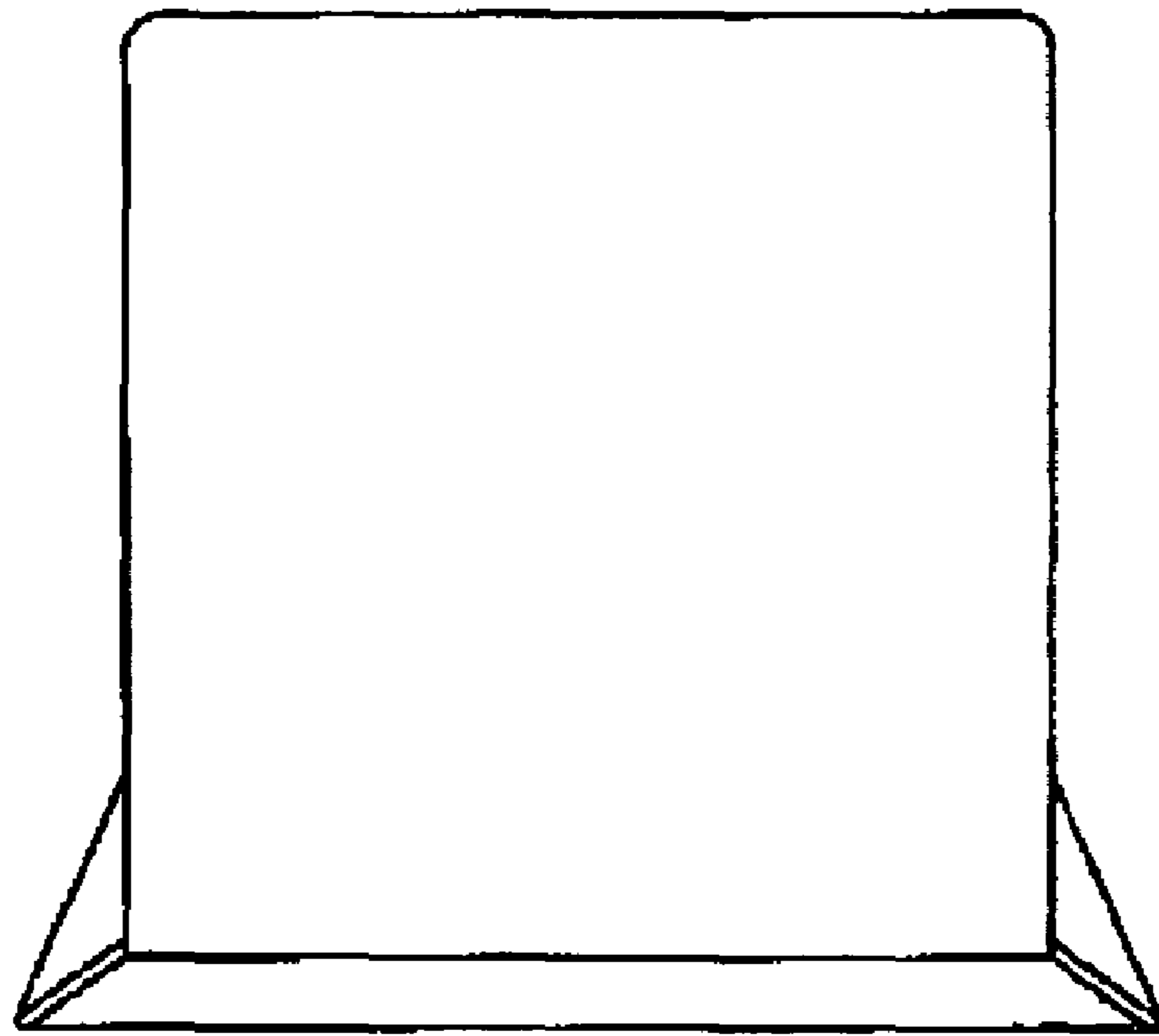


FIG. 3

UNITED STATES PATENT AND TRADEMARK OFFICE
CERTIFICATE OF CORRECTION

PATENT NO. : Des. 578,539 S
APPLICATION NO. : 29/246576
DATED : October 14, 2008
INVENTOR(S) : Janwillem Bouwknecht et al.

Page 1 of 1

It is certified that error appears in the above-identified patent and that said Letters Patent is hereby corrected as shown below:

Title Page item 30

Please insert the following foreign priority data information:

--FOREIGN PRIORITY DATA

EPC 000488283 March 3, 2006--

Signed and Sealed this

Twenty-seventh Day of January, 2009



JOHN DOLL
Acting Director of the United States Patent and Trademark Office