

US00D578532S

(12) **United States Design Patent**  
**Huang et al.**

(10) **Patent No.:** **US D578,532 S**

(45) **Date of Patent:** **\*\* Oct. 14, 2008**

(54) **LCD MONITOR**

(75) Inventors: **Che-Min Huang**, Miao-Li (TW);  
**Chien-Tung Chu**, Miao-Li (TW);  
**Chi-Wen Chiang**, Miao-Li (TW);  
**Hsiao-Ching Hung**, Miao-Li (TW);  
**Hsiao-Yuan Ho**, Miao-Li (TW)

(73) Assignee: **Innolux Display Corp.**, Miao-Li County (TW)

(\*\*) Term: **14 Years**

(21) Appl. No.: **29/289,005**

(22) Filed: **Jun. 29, 2007**

(30) **Foreign Application Priority Data**

Dec. 29, 2006 (CN) ..... 95 3 07315

(51) **LOC (8) Cl.** ..... **14-02**

(52) **U.S. Cl.** ..... **D14/375**

(58) **Field of Classification Search** ..... D14/371-375,  
D14/125-129; 248/917-924, 278.1; 341/12;  
345/104, 156, 168, 173, 901-905; 348/180,  
348/184, 325, 739; 349/1, 2, 11, 62; D6/422;  
361/680-686

See application file for complete search history.

(56) **References Cited**

**U.S. PATENT DOCUMENTS**

D425,035 S \* 5/2000 Kondo et al. .... D14/375

6,381,125 B1 \* 4/2002 Mizoguchi et al. .... 361/682  
D469,091 S \* 1/2003 Hasegawa et al. .... D14/375  
6,807,051 B2 \* 10/2004 Takahashi ..... 361/681  
D529,496 S \* 10/2006 Chen et al. .... D14/375  
D530,326 S \* 10/2006 Chen et al. .... D14/375  
D530,329 S \* 10/2006 Chen et al. .... D14/375  
2002/0020792 A1 \* 2/2002 Lee ..... 248/278.1  
2005/0041379 A1 \* 2/2005 Jang ..... 361/681

\* cited by examiner

*Primary Examiner*—Freda S Nunn

(74) *Attorney, Agent, or Firm*—Wei Te Chung

(57) **CLAIM**

The ornamental design for an LCD monitor, as shown and described.

**DESCRIPTION**

FIG. 1 is a front, top, right side perspective view of an LCD monitor showing our new design;

FIG. 2 is a rear, top, right side perspective view of an LCD monitor showing our new design;

FIG. 3 is a front elevational view thereof;

FIG. 4 is a rear elevational view thereof;

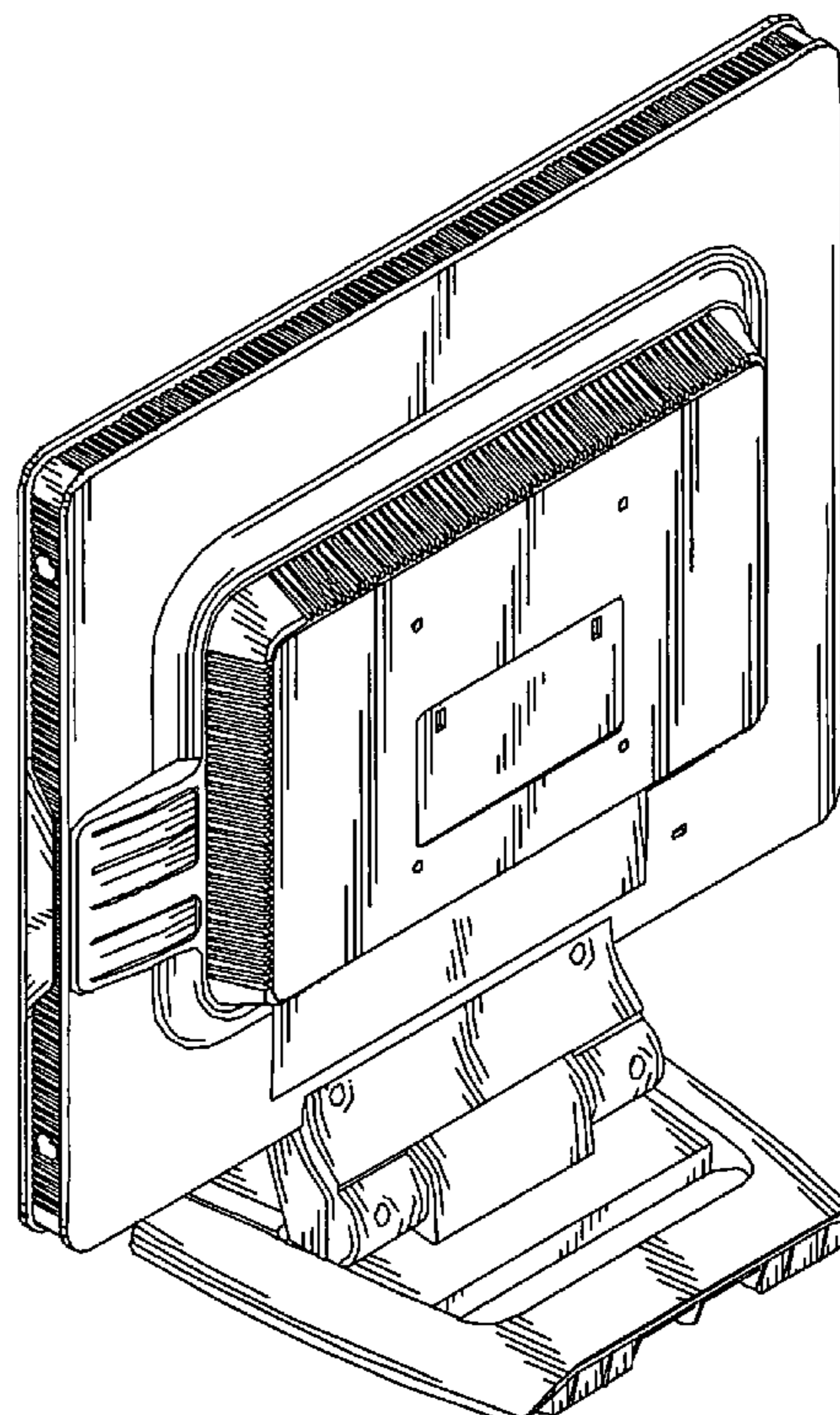
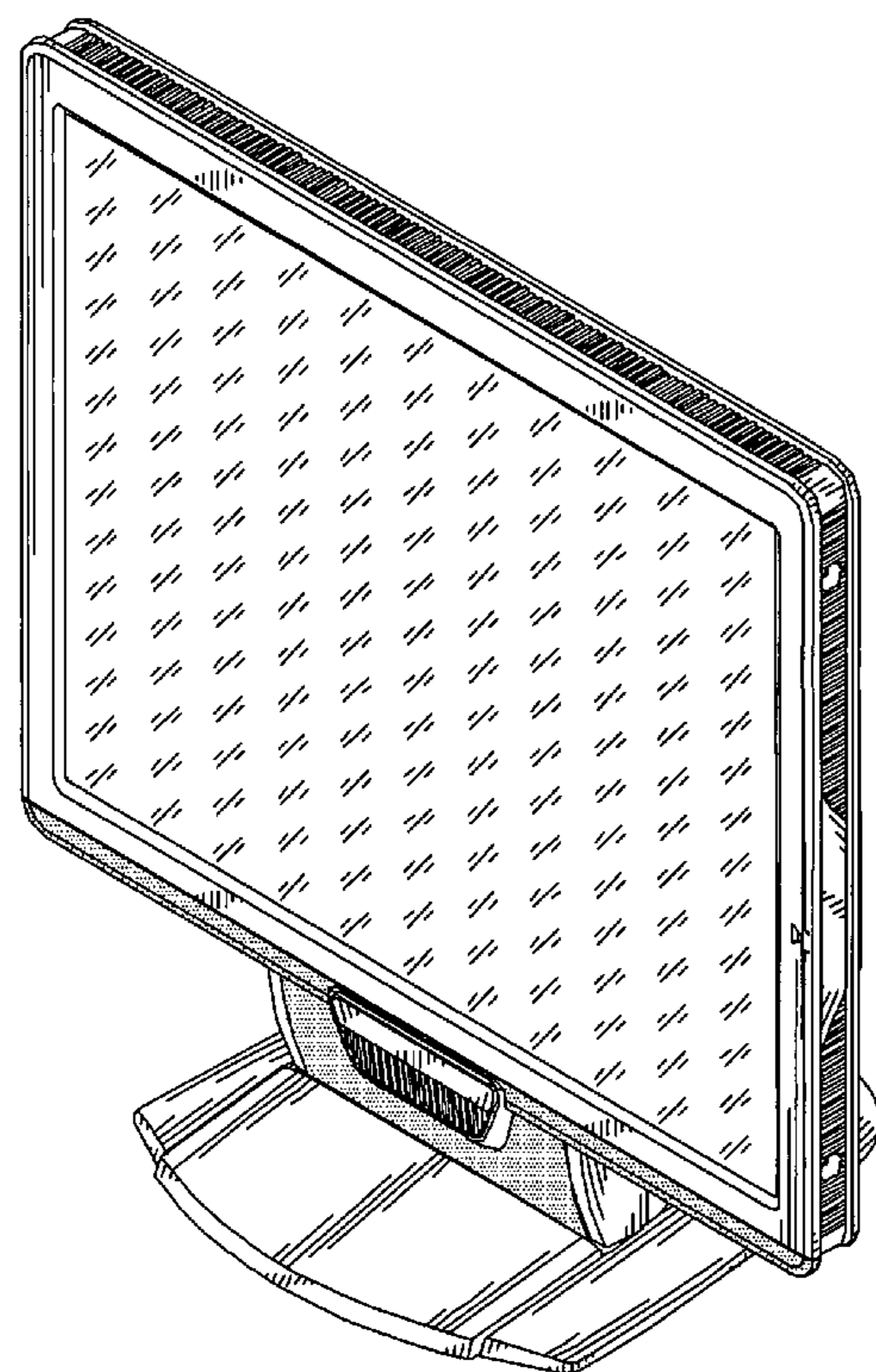
FIG. 5 is a left side elevational view thereof;

FIG. 6 is a right side elevational view thereof;

FIG. 7 is a top plan view thereof; and,

FIG. 8 is a bottom plan view thereof.

**1 Claim, 6 Drawing Sheets**



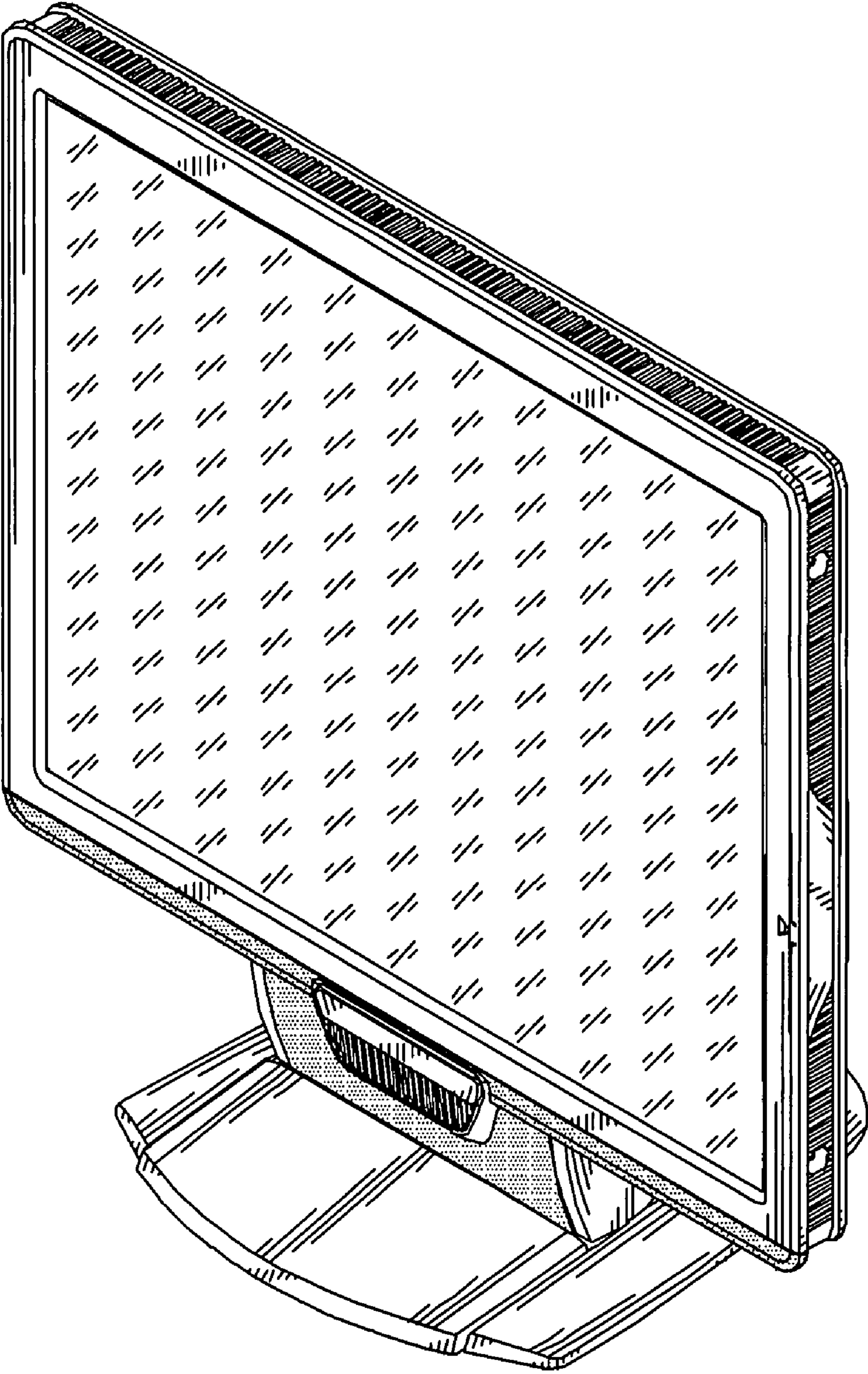


FIG. 1

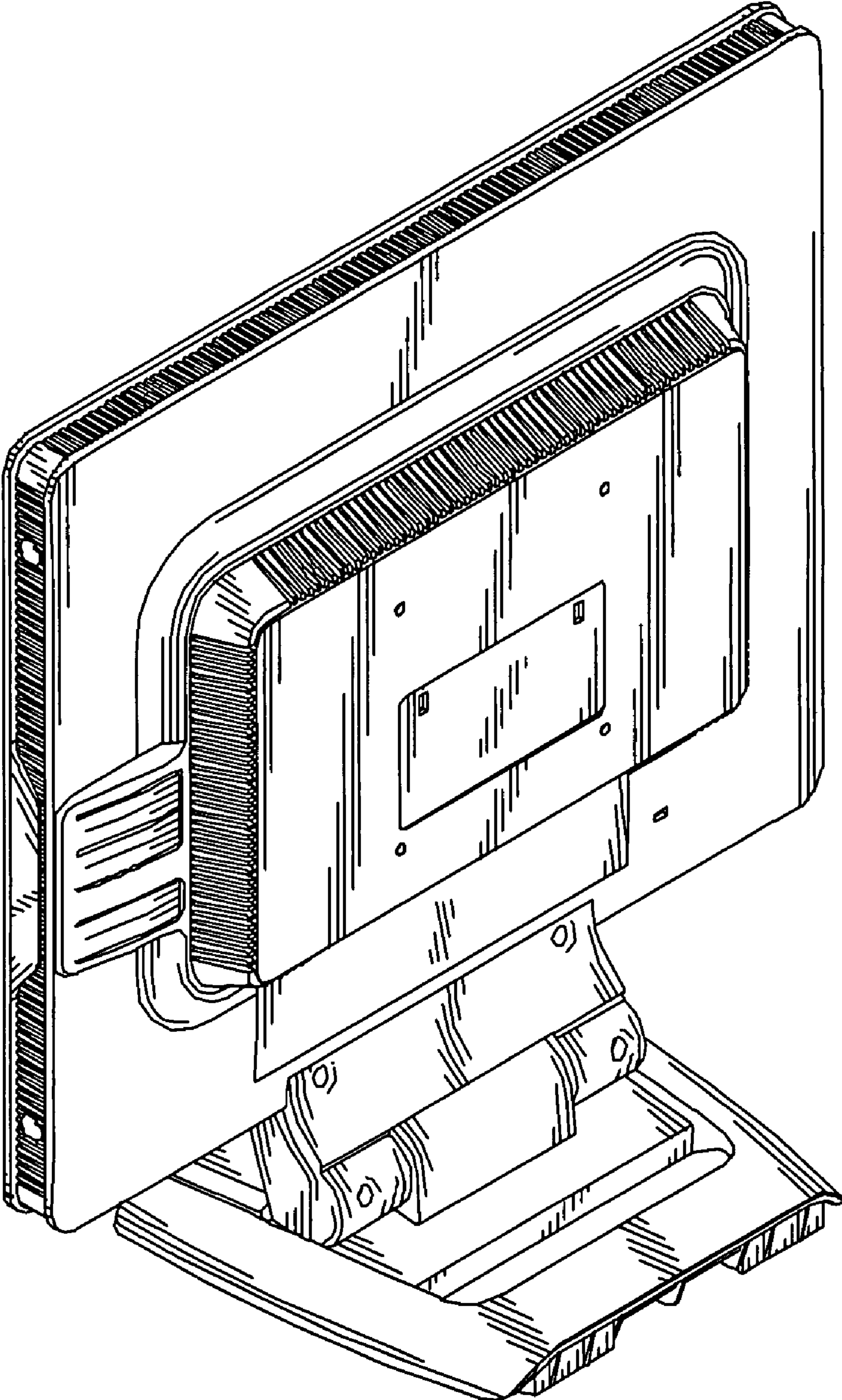


FIG. 2

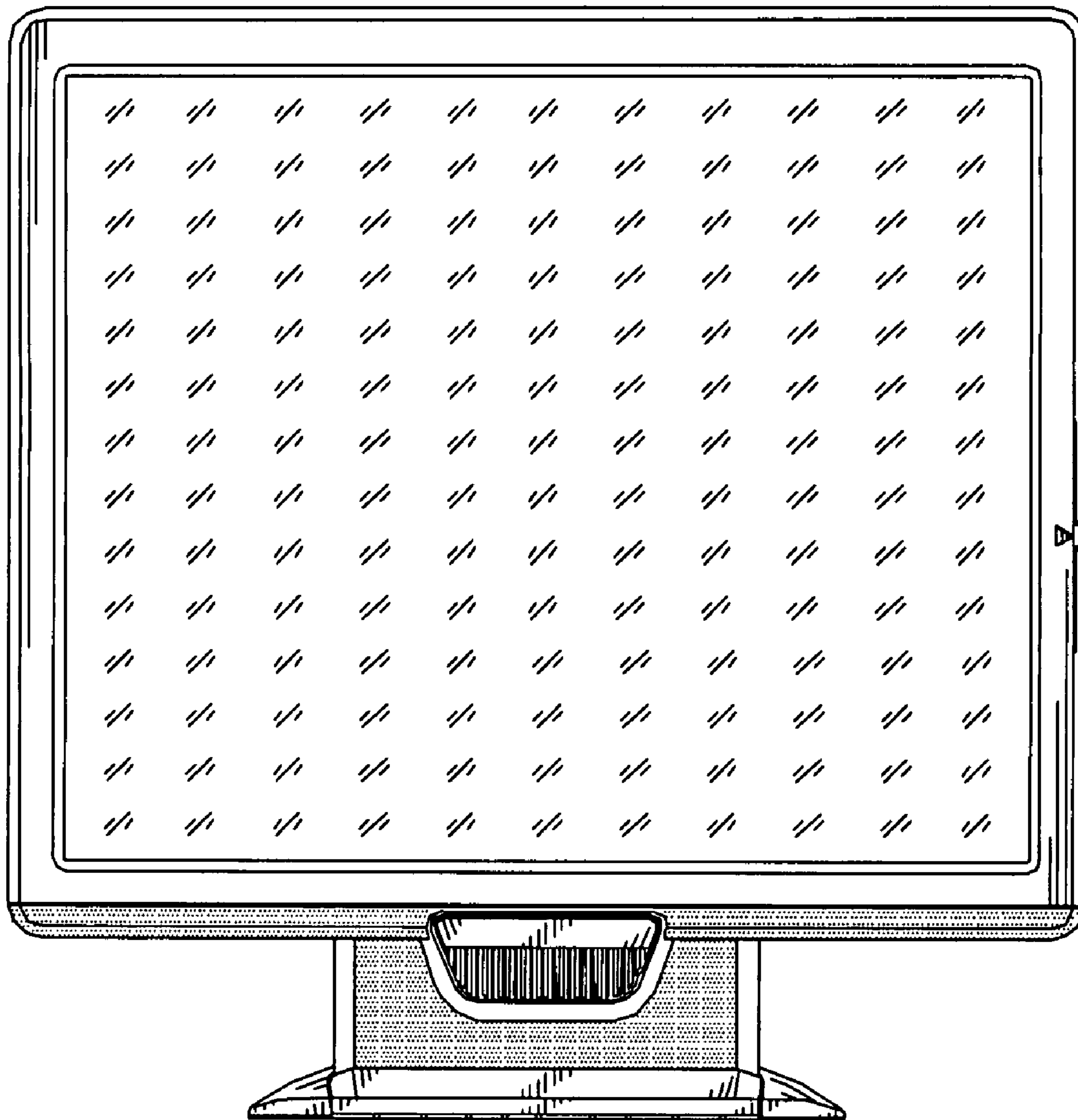


FIG. 3

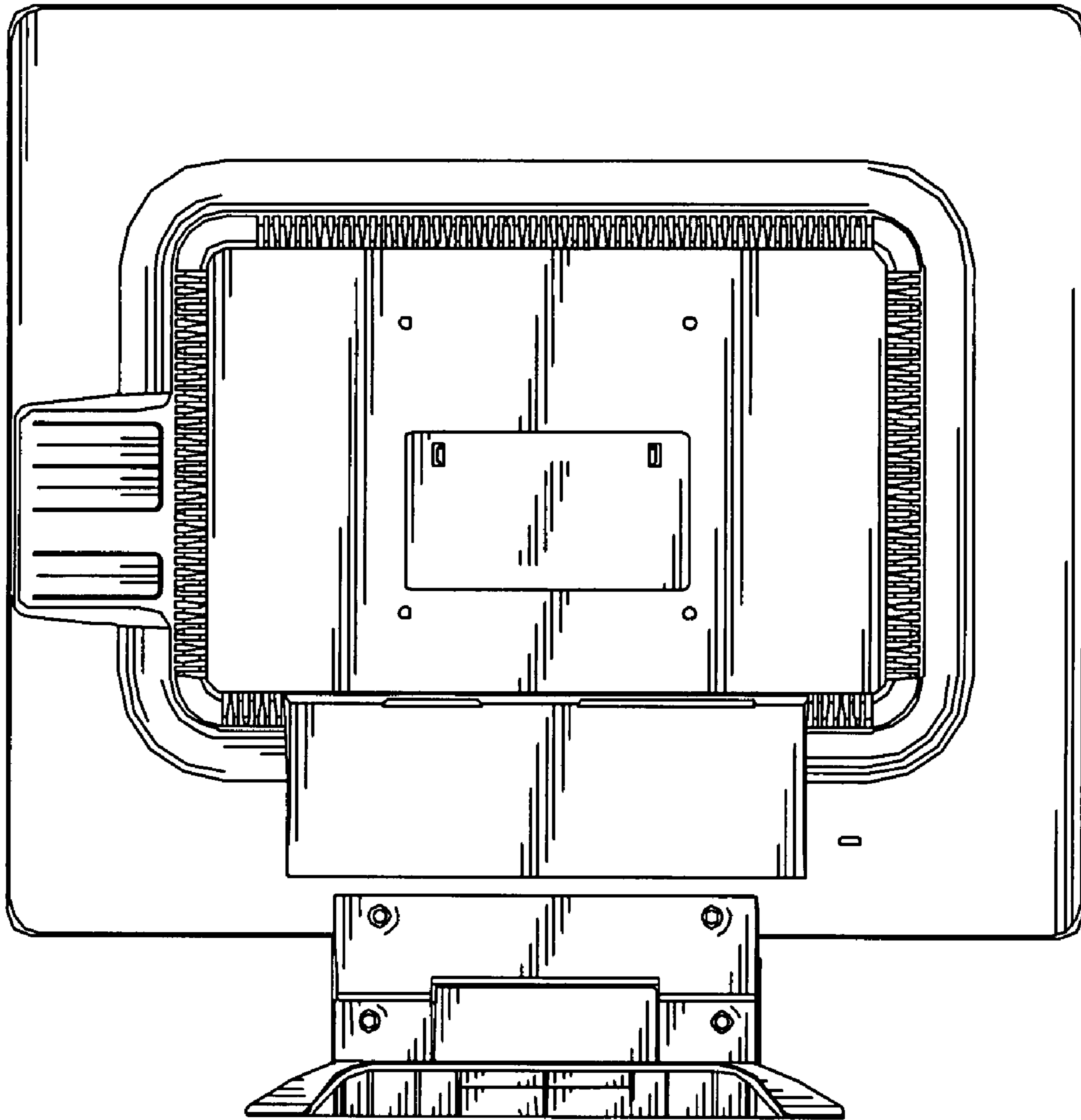


FIG. 4

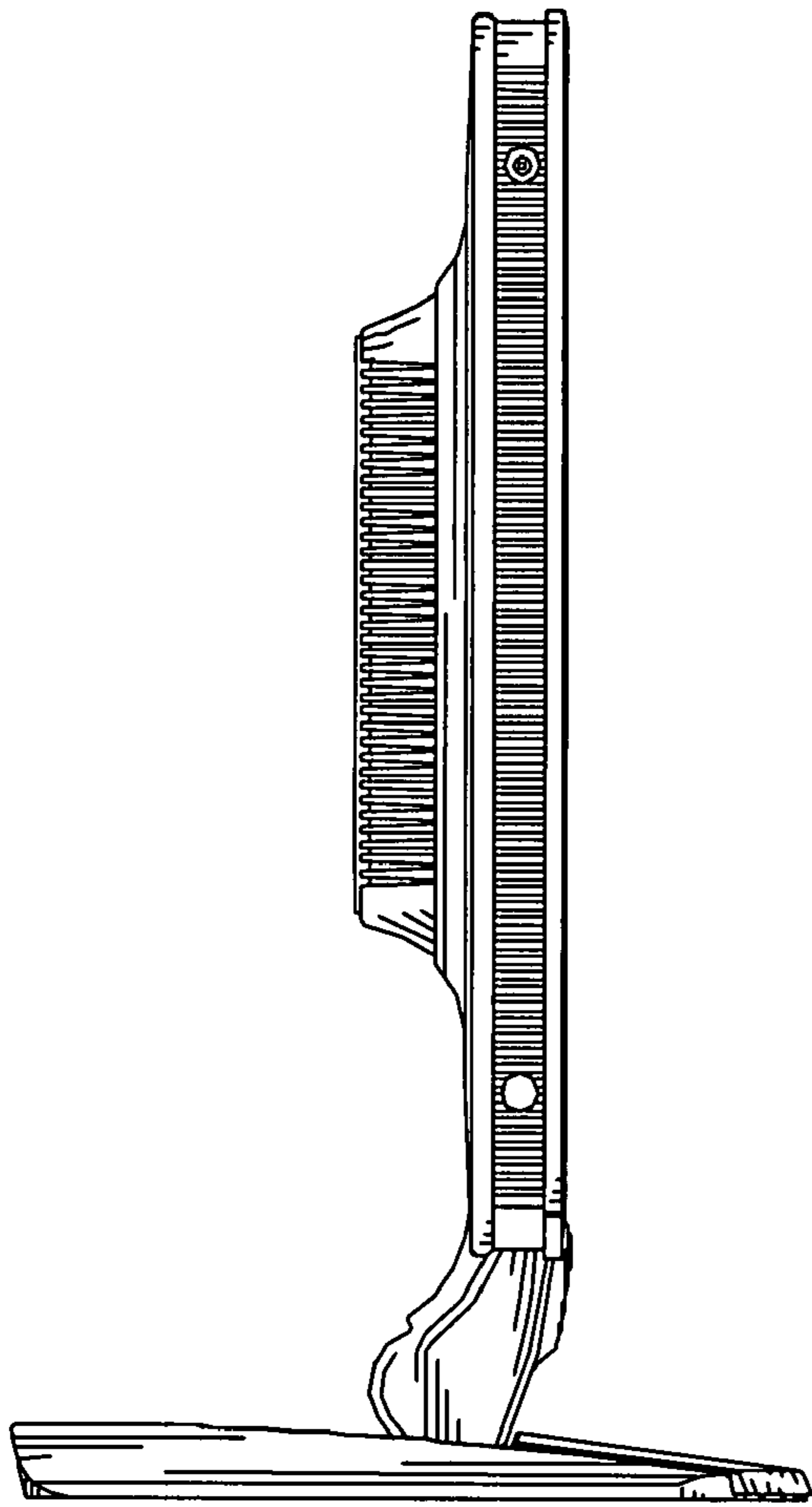


FIG. 5

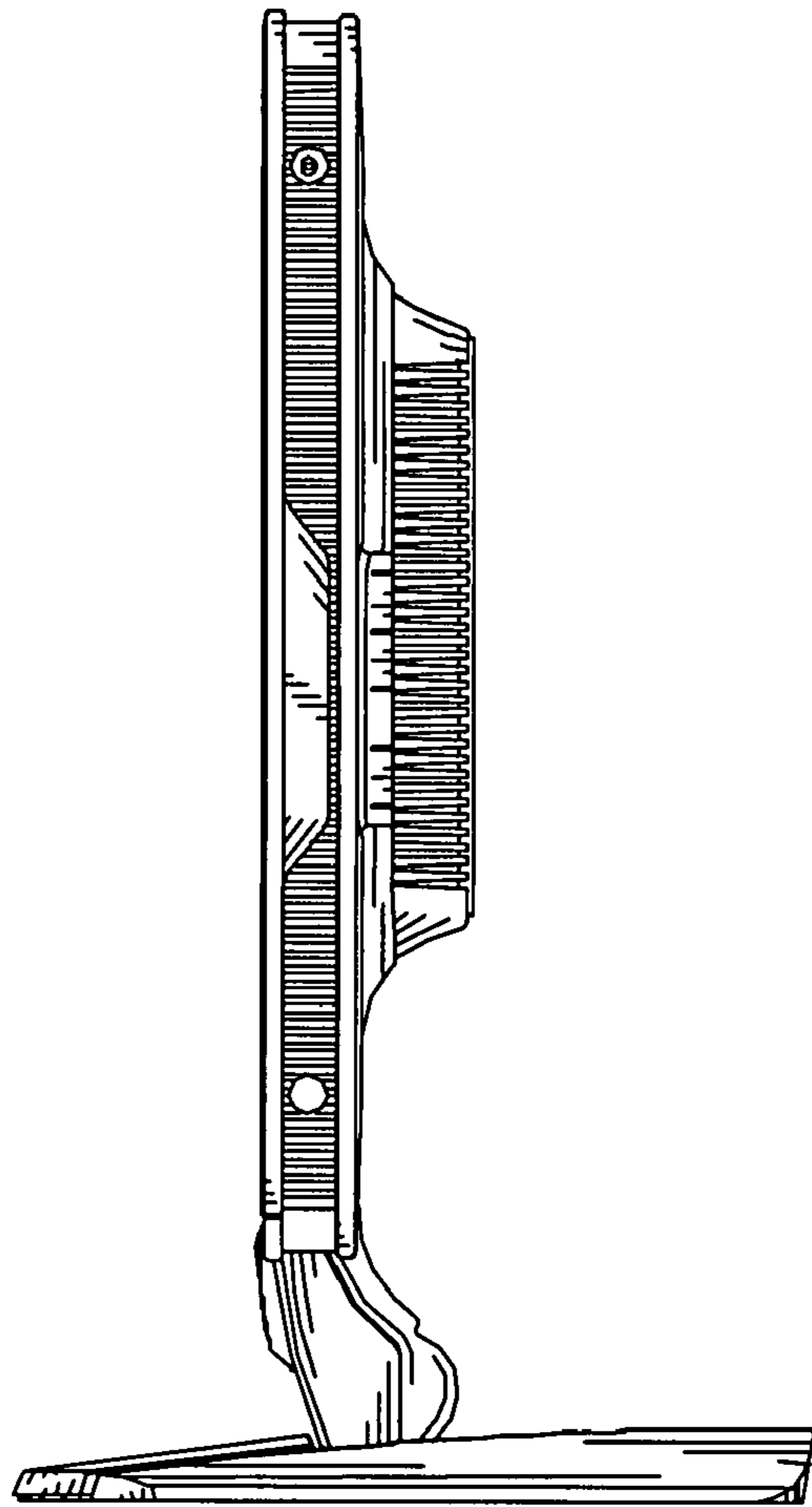


FIG. 6

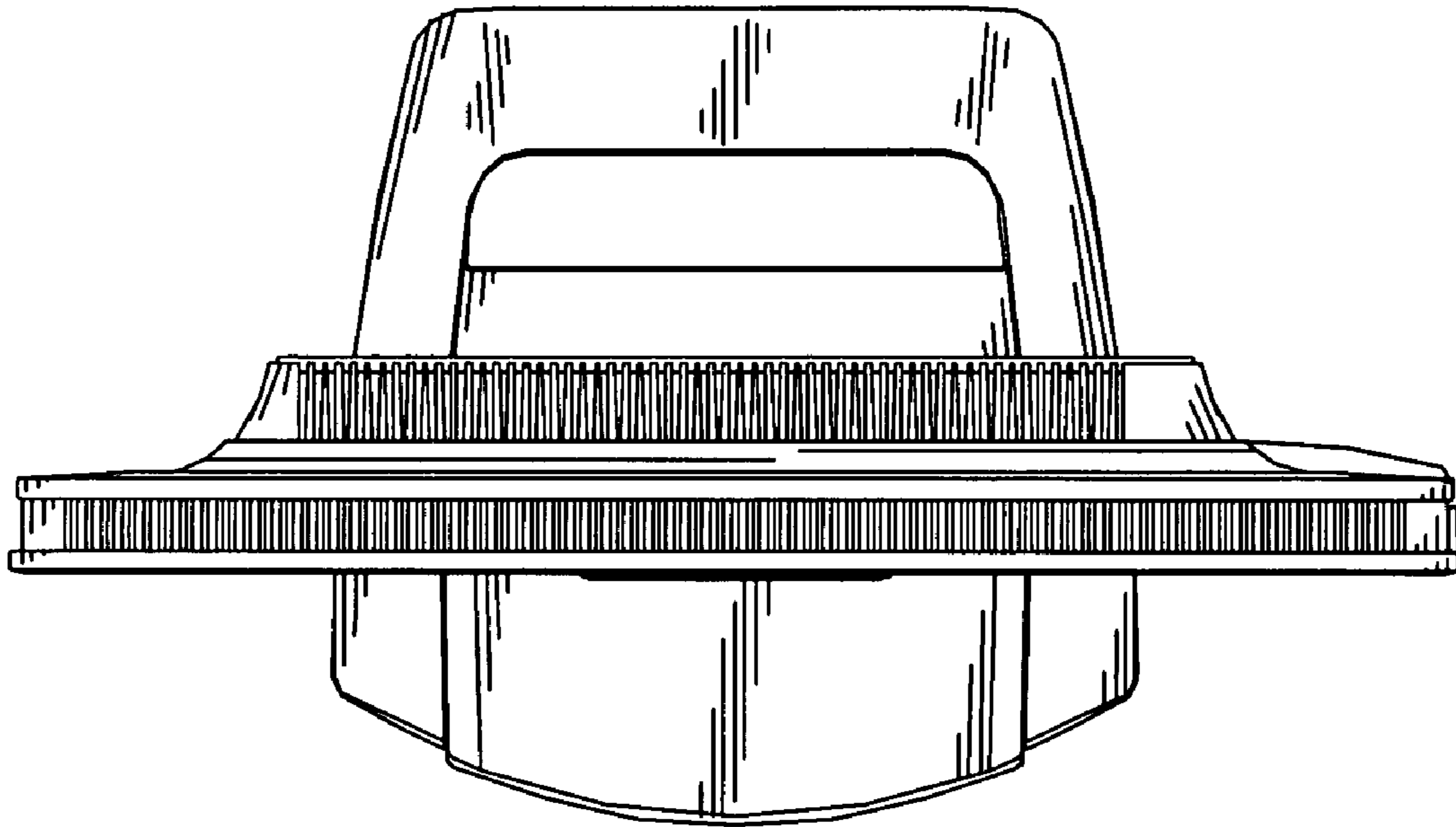


FIG. 7

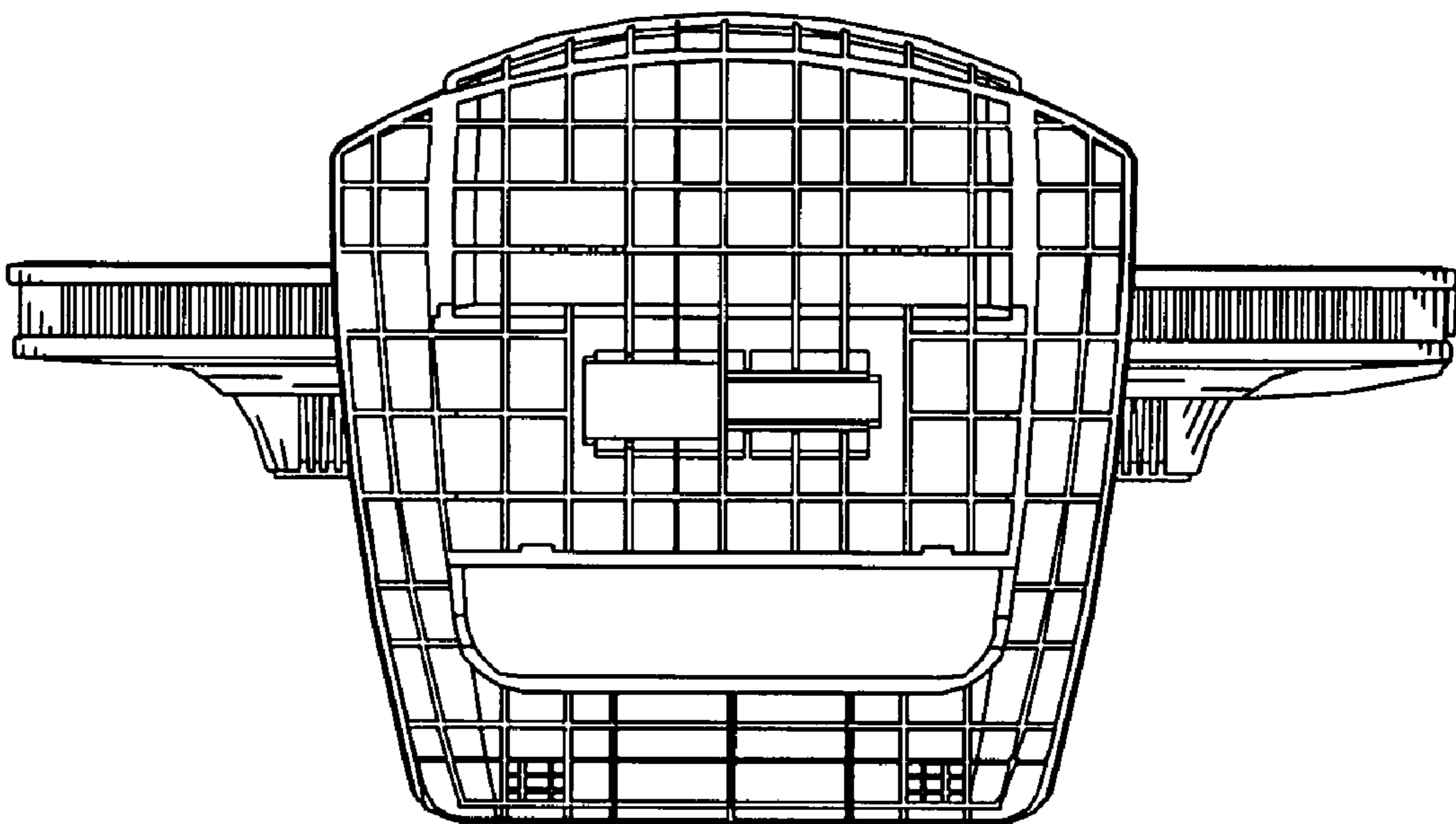


FIG. 8