



US00D578531S

(12) **United States Design Patent**  
**Ding et al.**

(10) **Patent No.:** **US D578,531 S**

(45) **Date of Patent:** **\*\* Oct. 14, 2008**

(54) **DISPLAY DEVICE**

(75) Inventors: **Yin Hean Kenneth Ding**, Singapore (SG); **Wai Lim Chan**, Singapore (SG); **Dawn Tang**, Singapore (SG)

(73) Assignee: **Dell Products L.P.**, Round Rock, TX (US)

(\*\*) Term: **14 Years**

(21) Appl. No.: **29/281,820**

(22) Filed: **Jul. 3, 2007**

(51) **LOC (8) Cl.** ..... **14-02**

(52) **U.S. Cl.** ..... **D14/375; D14/376**

(58) **Field of Classification Search** ..... D14/371-375, D14/125-129, 133; 345/104, 156, 168, 173; 348/180, 184, 325, 739, 837; 248/917-924, 248/278.1; 349/1, 2, 11, 62; 341/12  
See application file for complete search history.

(56) **References Cited**

**U.S. PATENT DOCUMENTS**

4,438,458	A	3/1984	Munscher	.....	358/254
D313,405	S *	1/1991	Barry et al.	.....	D14/376
D417,659	S *	12/1999	Takemasa	.....	D14/374
D439,224	S	3/2001	Kita	.....	D14/126
D460,425	S *	7/2002	Joe	.....	D14/126
D463,431	S	9/2002	Yamamoto et al.	.....	D14/374
D465,490	S	11/2002	Wei	.....	D14/374
D471,194	S	3/2003	Huang	.....	D14/375
D474,162	S	5/2003	Kubota	.....	D14/126

D476,004	S	6/2003	Olson et al.	.....	D14/375
D494,941	S *	8/2004	Kim	.....	D14/126
D523,856	S	6/2006	Phipps et al.	.....	D14/375
D543,982	S *	6/2007	Hasegawa et al.	.....	D14/371
2004/0041062	A1	3/2004	Ozolins et al.	.....	248/122.1
2004/0217244	A1	11/2004	Wu et al.	.....	248/278.1

\* cited by examiner

*Primary Examiner*—Freda S Nunn

(74) *Attorney, Agent, or Firm*—Hamilton & Terrile, LLP; Stephen A. Terrile

(57) **CLAIM**

The ornamental design for a display device, as shown and described.

**DESCRIPTION**

FIG. 1 is a top front perspective view of the display device comprising the present invention;

FIG. 2 is a front view thereof;

FIG. 3 is a left side view thereof;

FIG. 4 is a right side view thereof;

FIG. 5 is a rear view thereof;

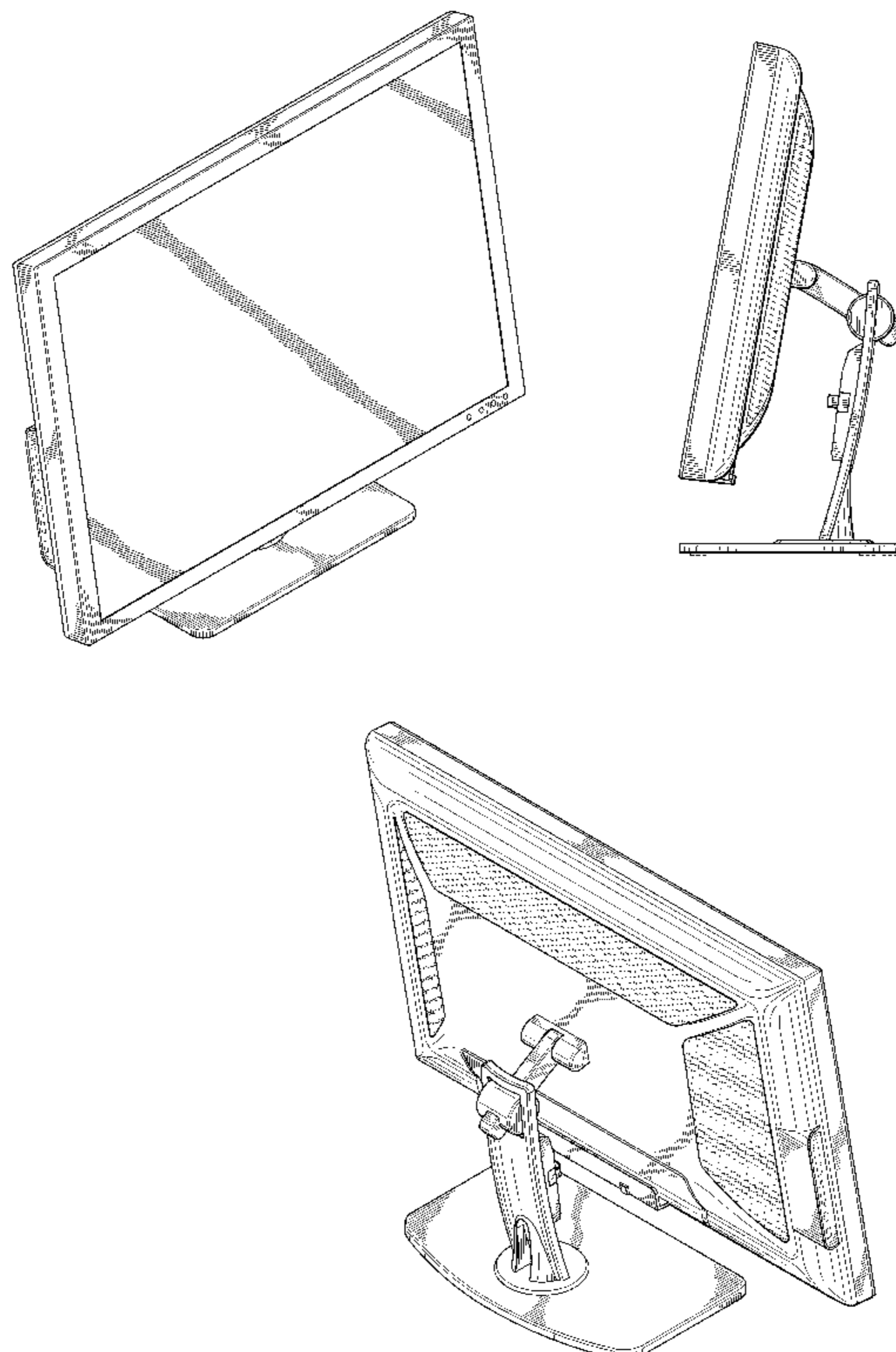
FIG. 6 is a top view thereof;

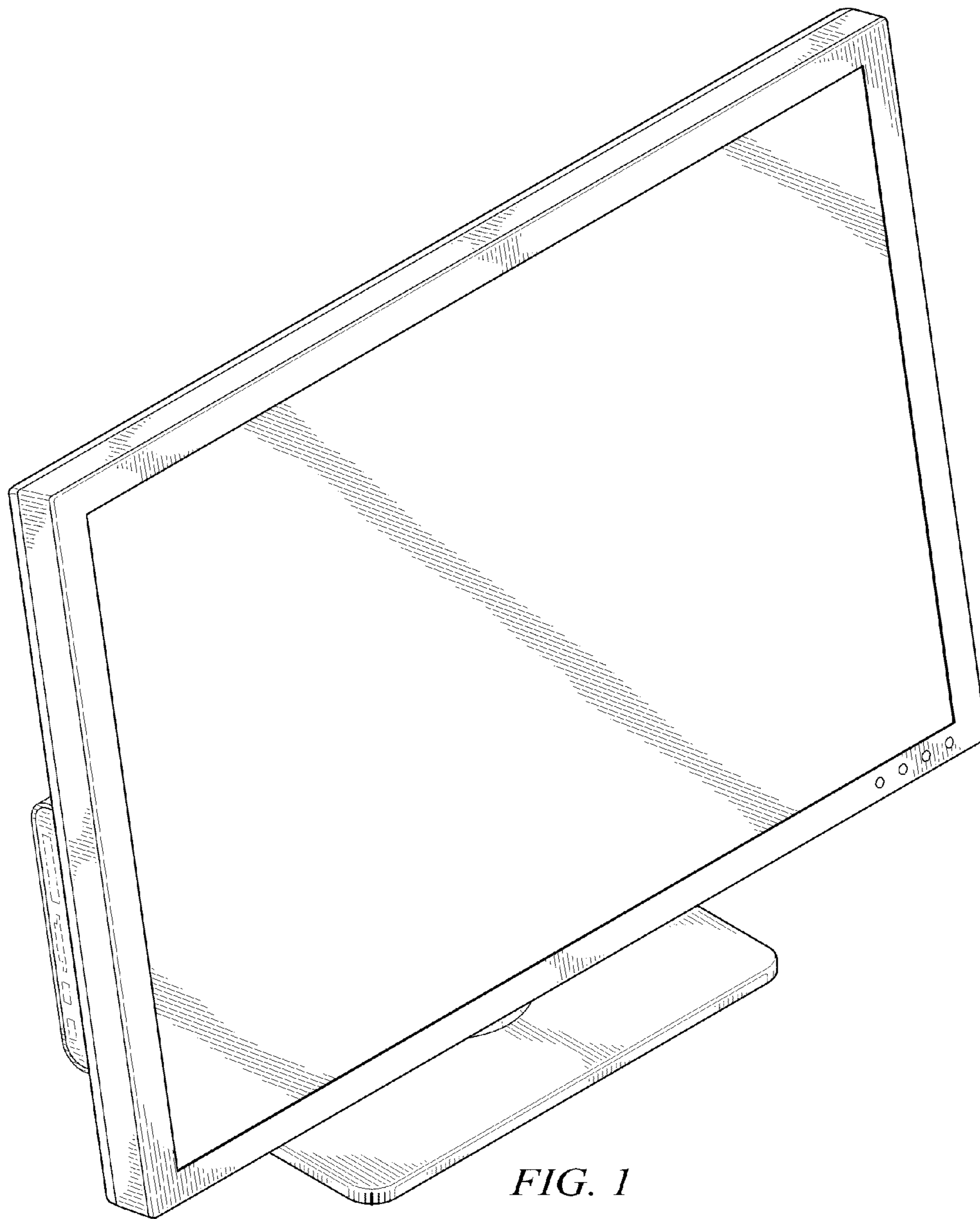
FIG. 7 is a bottom view thereof; and,

FIG. 8 is a rear perspective view thereof.

The elements illustrated in broken lines in the drawing figures are considered environmental only and do not form a part of the claimed design.

**1 Claim, 6 Drawing Sheets**





*FIG. 1*

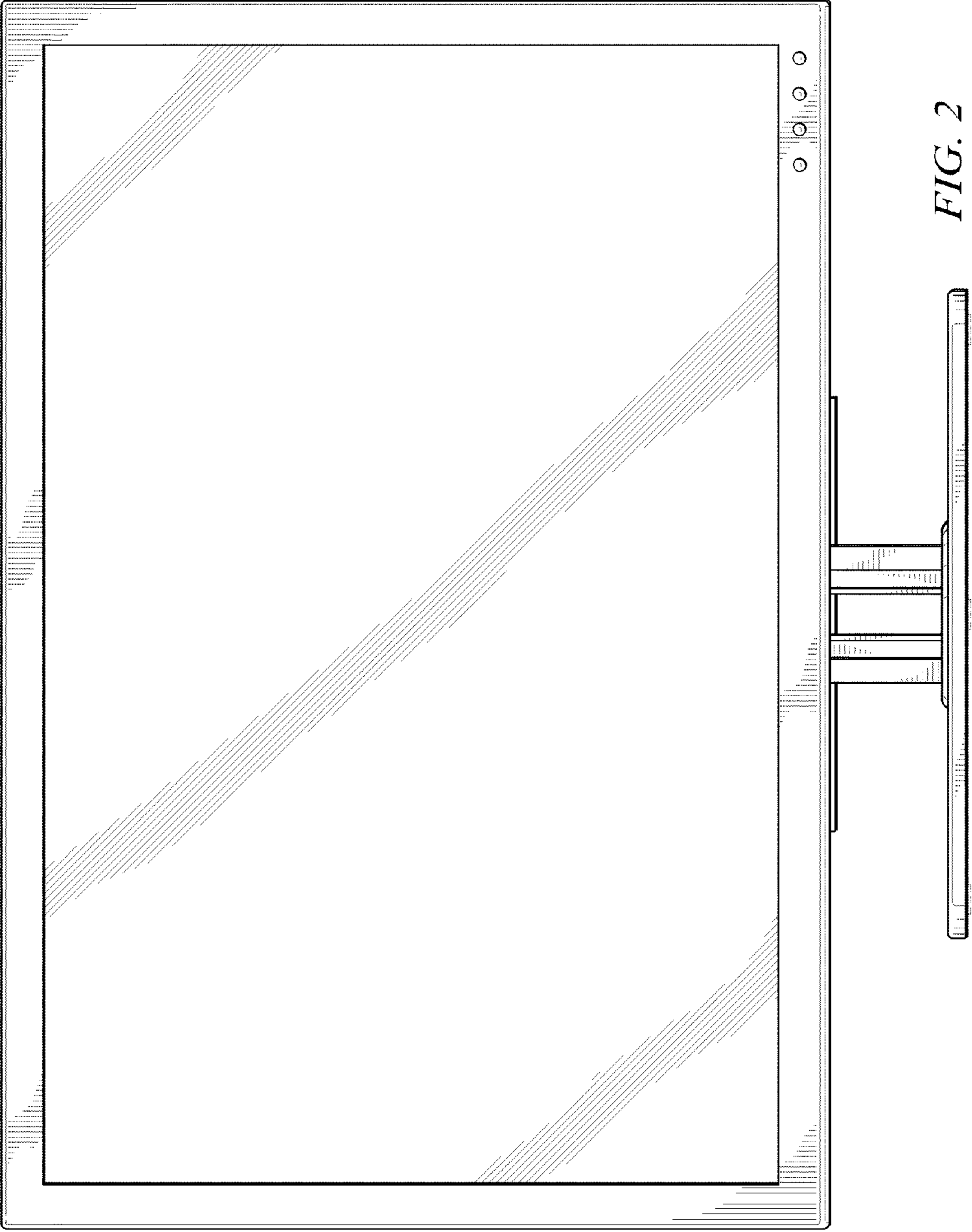


FIG. 2

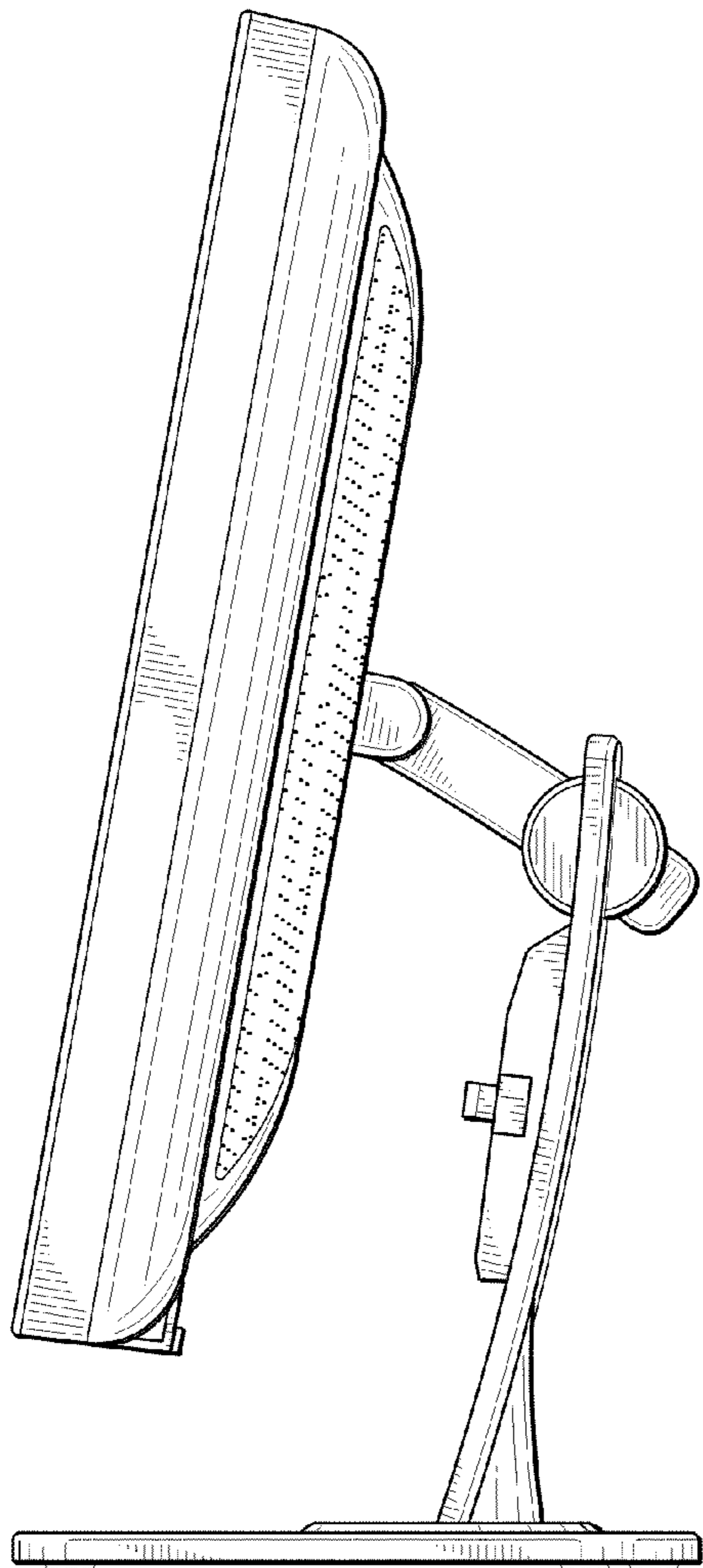


FIG. 3

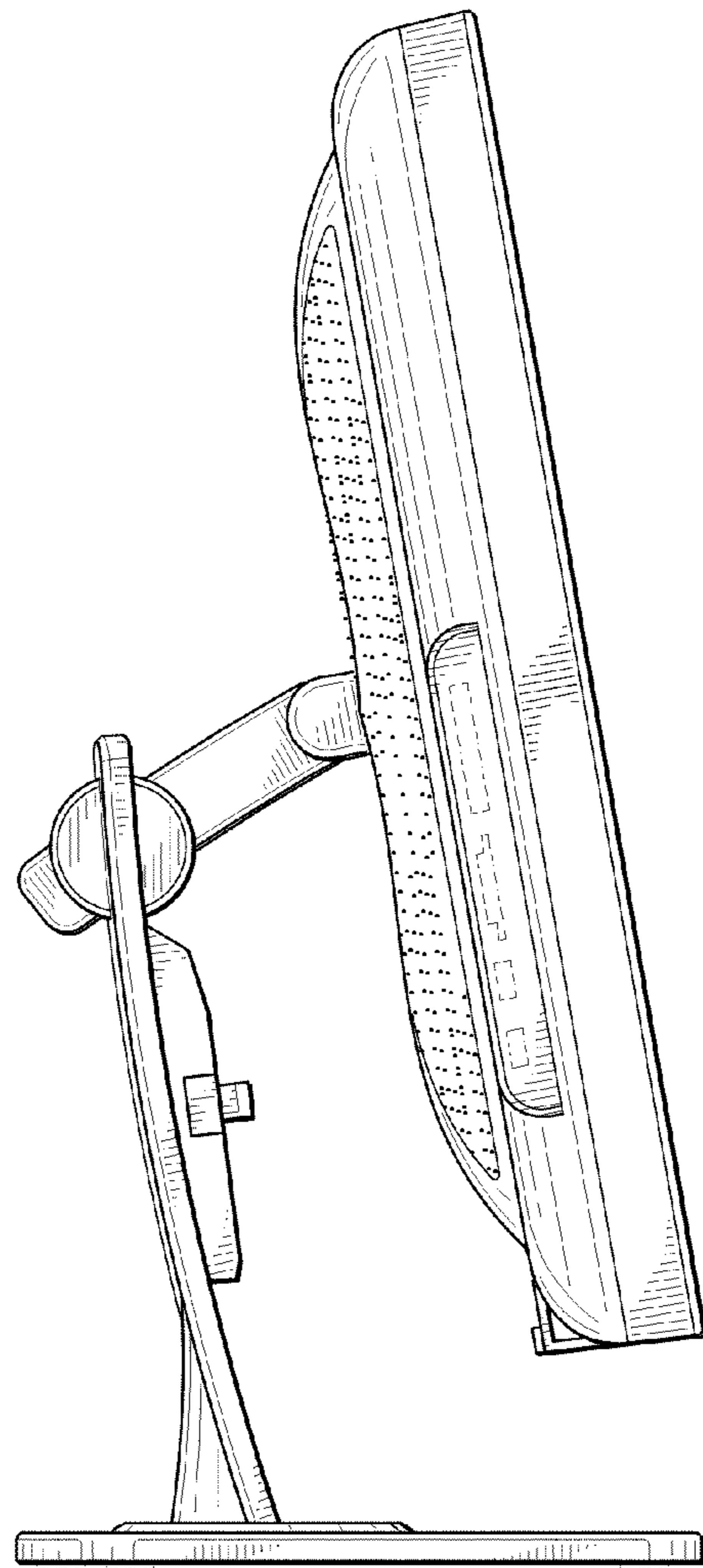


FIG. 4

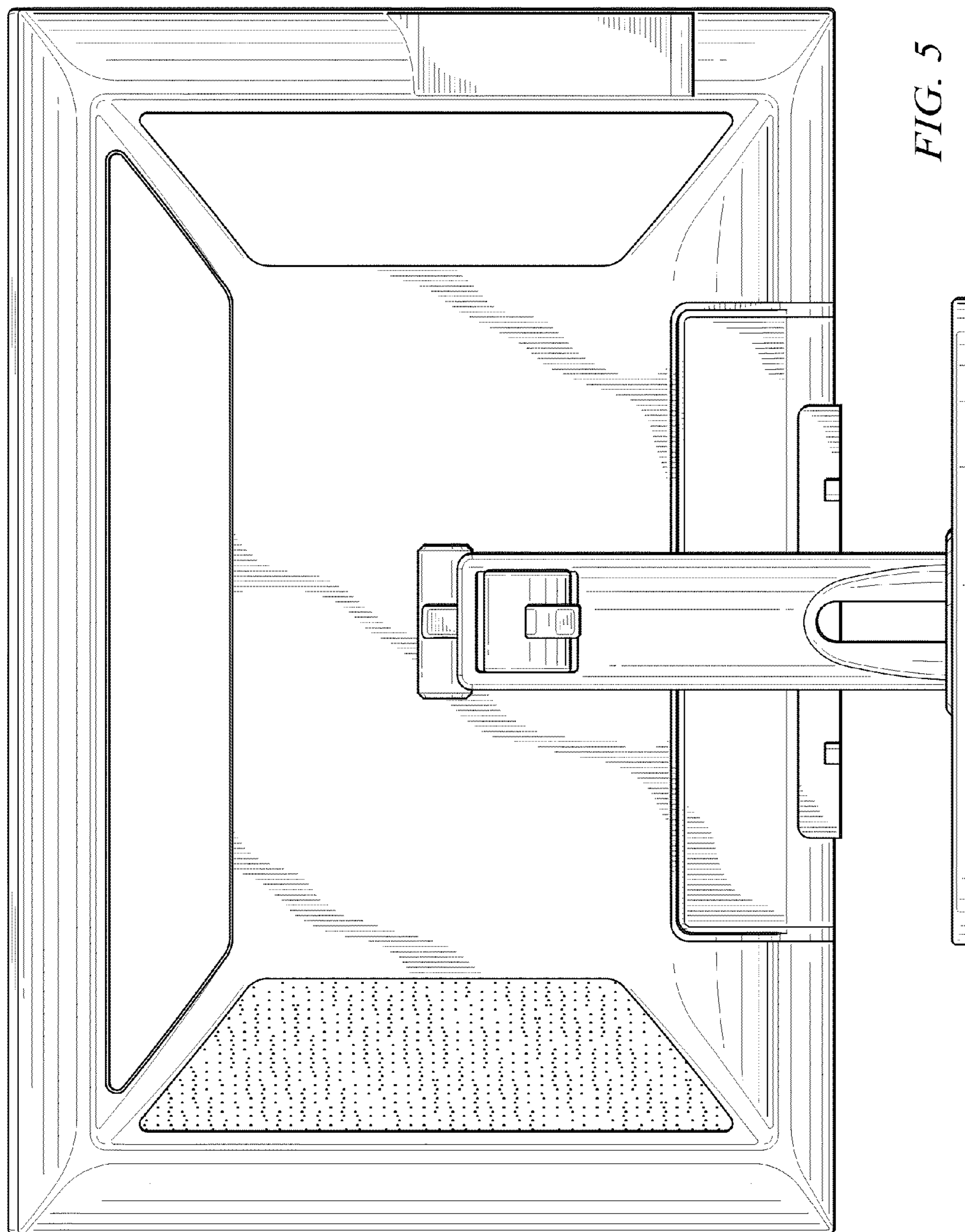


FIG. 5

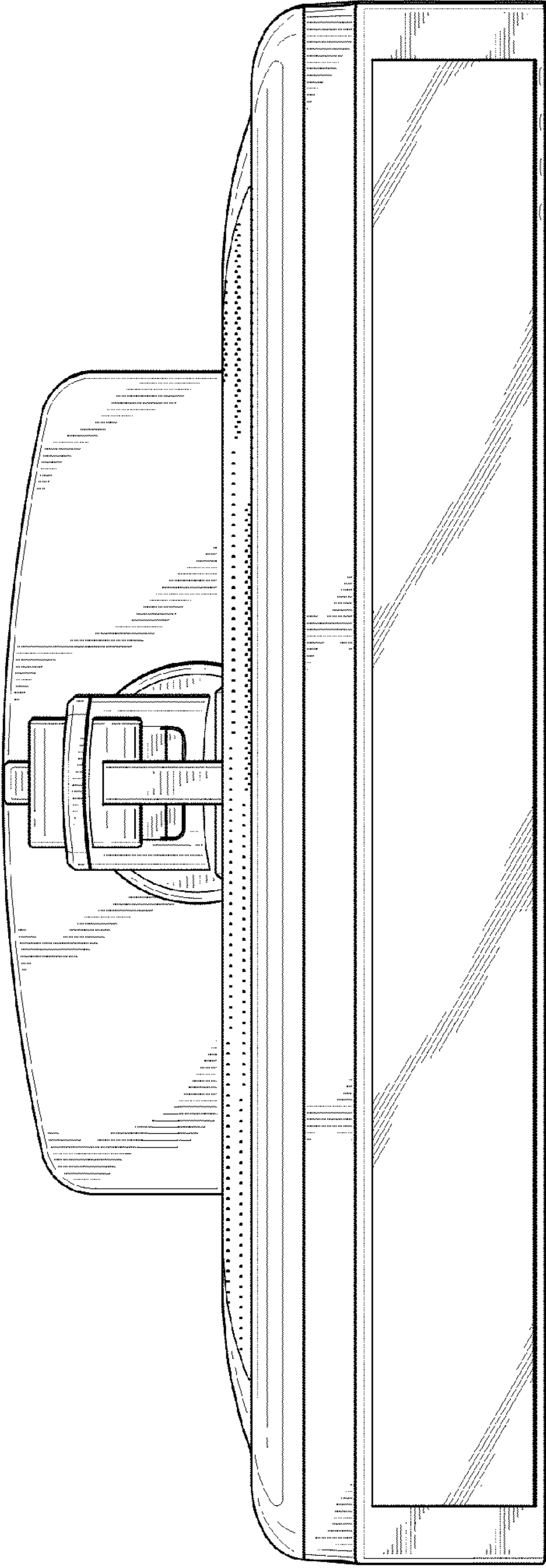


FIG. 6

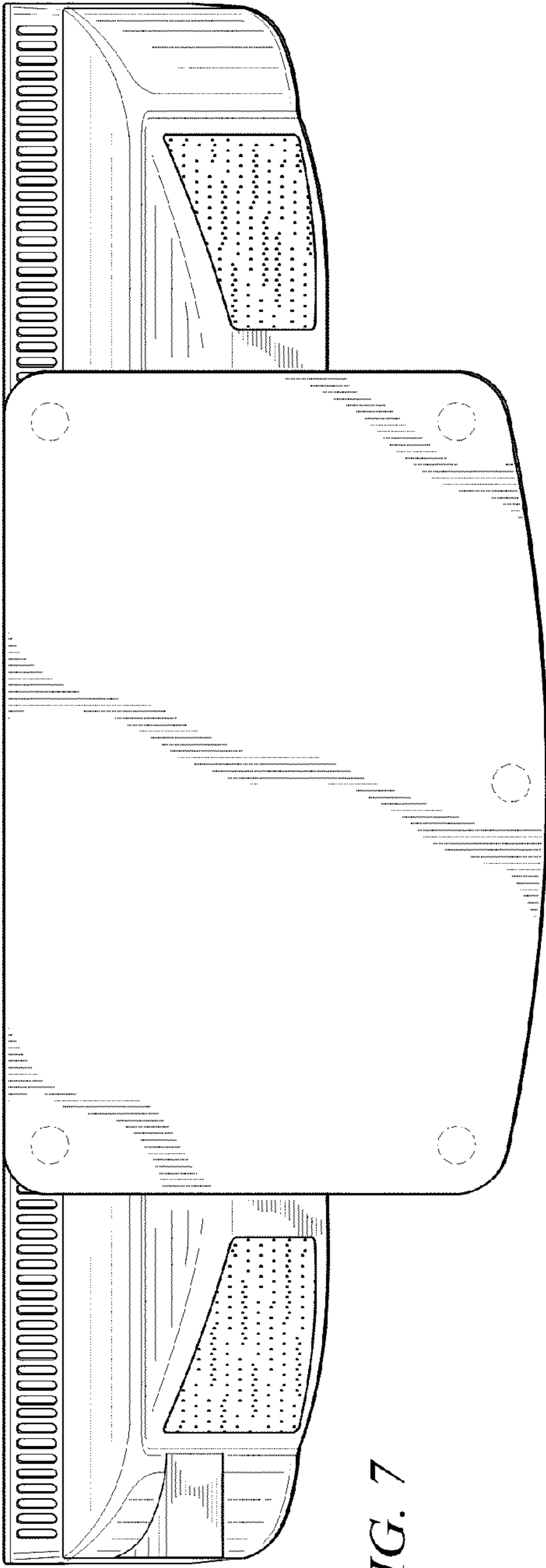


FIG. 7

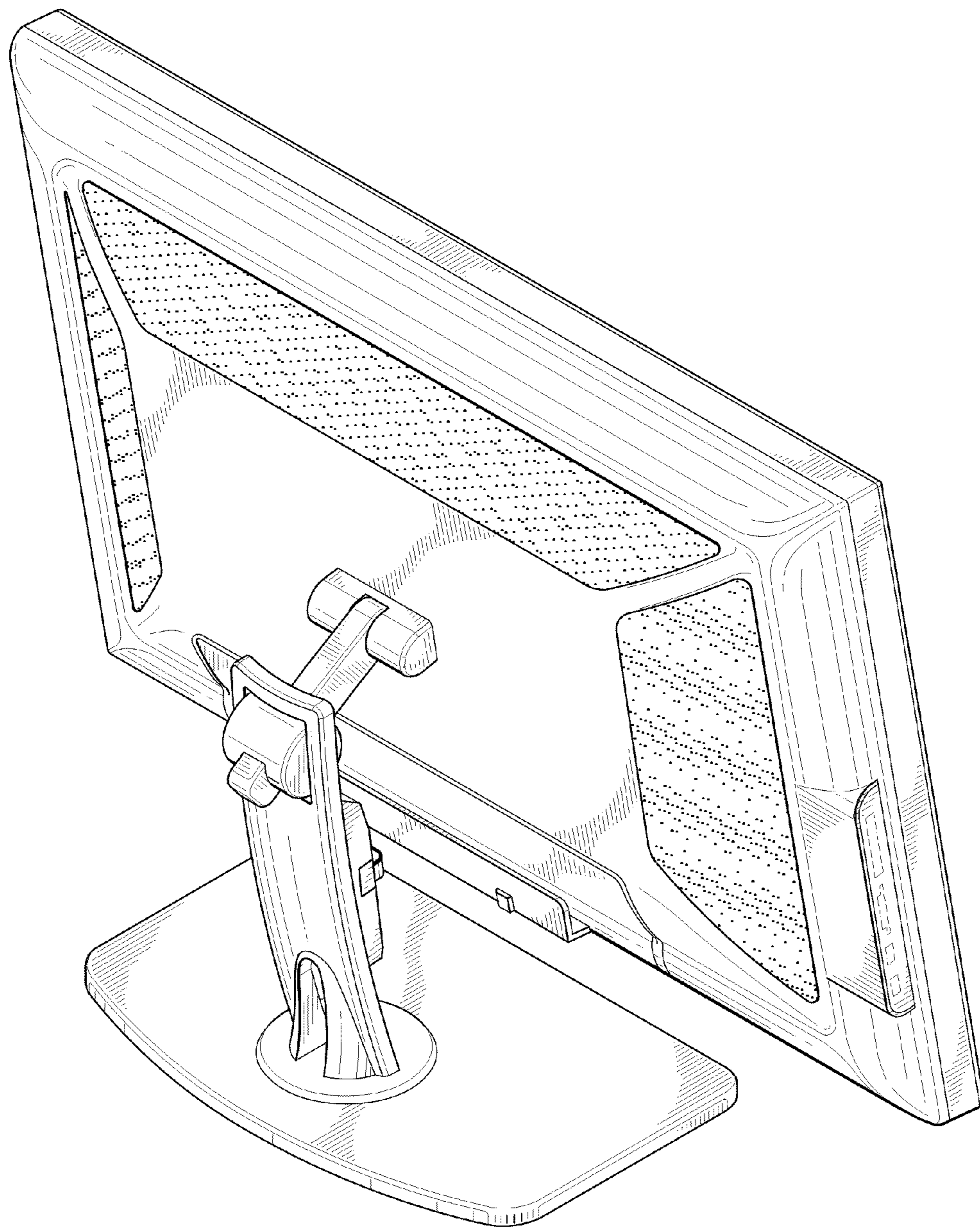


FIG. 8