



US00D578527S

(12) **United States Design Patent**
Mincolelli

(10) **Patent No.:** **US D578,527 S**

(45) **Date of Patent:** **** Oct. 14, 2008**

(54) **PORTABLE COMPUTER**

(75) Inventor: **Giuseppe Mincolelli**, Florence (IT)

(73) Assignee: **Eurotech S.p.A.**, Amaro (IT)

(**) Term: **14 Years**

(21) Appl. No.: **29/264,125**

(22) Filed: **Aug. 4, 2006**

(30) **Foreign Application Priority Data**

Feb. 8, 2006 (EM) 000477039

(51) **LOC (8) Cl.** **14-02**

(52) **U.S. Cl.** **D14/344; D14/341**

(58) **Field of Classification Search** D14/336-346;
D19/26, 59, 60; 235/145 A, 145 R; 341/22,
341/23; 361/681-686; D16/237; 340/5.92
See application file for complete search history.

(56) **References Cited**

U.S. PATENT DOCUMENTS

D299,028 S *	12/1988	Hermann	D14/344
D299,463 S *	1/1989	Hermann	D14/344
D344,494 S *	2/1994	Cardenas	D14/344
5,285,398 A *	2/1994	Janik	361/683
D355,170 S *	2/1995	Mizusugi et al.	D14/336

5,581,492 A *	12/1996	Janik	361/683
D385,855 S *	11/1997	Ronzani	D14/344
D411,179 S *	6/1999	Toyosato	D14/344
D481,057 S *	10/2003	Brady	D16/237
6,757,156 B2 *	6/2004	Adams et al.	361/681
6,853,293 B2 *	2/2005	Swartz et al.	340/5.92
2002/0105778 A1 *	8/2002	Harada	361/681

* cited by examiner

Primary Examiner—Freda S Nunn

(74) *Attorney, Agent, or Firm*—Novak Druce + Quigg LLP

(57) **CLAIM**

The ornamental design of a portable computer, as shown and described.

DESCRIPTION

FIG. 1 is a perspective view of a portable computer showing my new design;

FIG. 2 is a front view thereof;

FIG. 3 is a left side view thereof;

FIG. 4 is a right side view thereof;

FIG. 5 is a back view thereof;

FIG. 6 is a top view thereof; and,

FIG. 7 is a bottom view thereof.

1 Claim, 6 Drawing Sheets

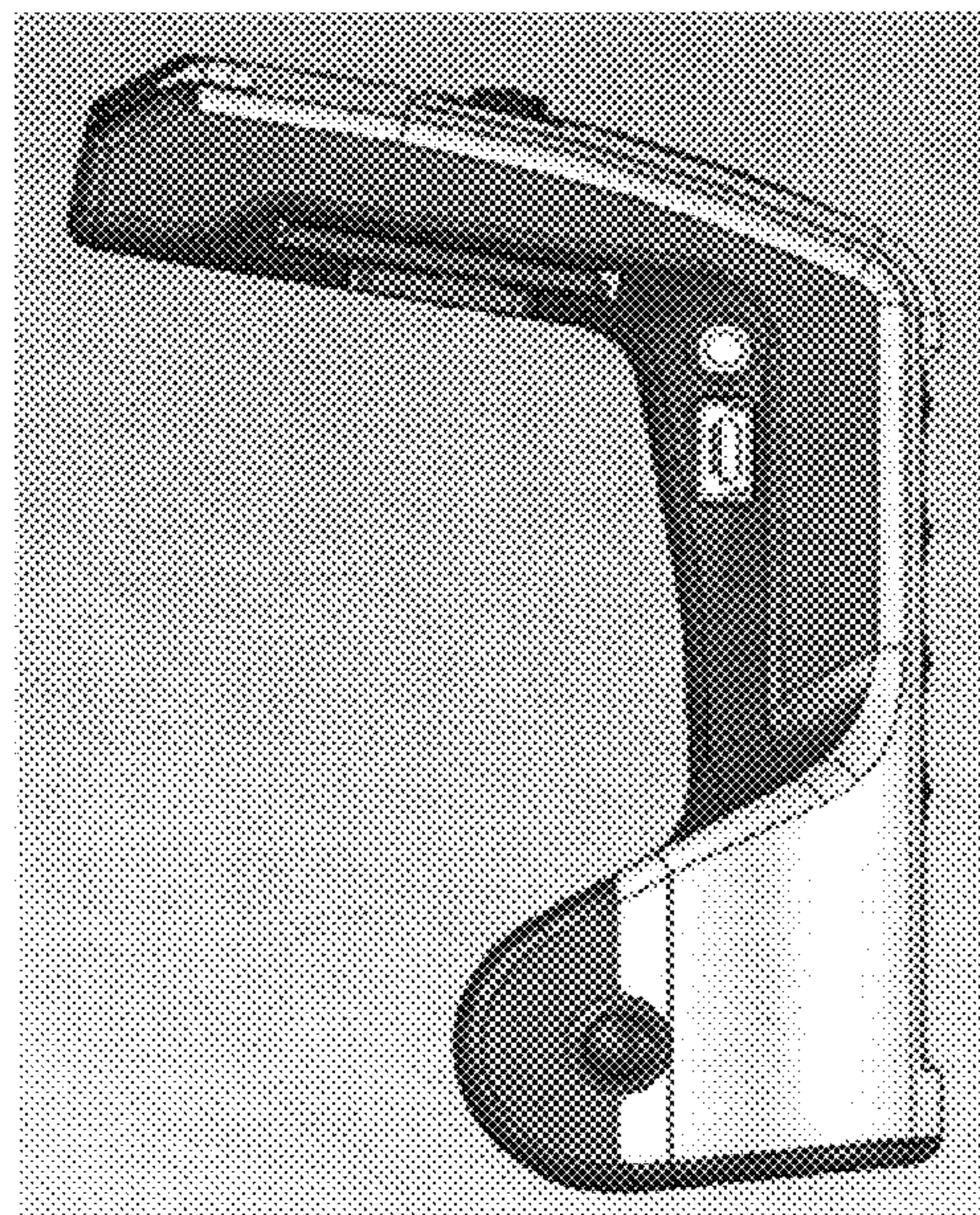
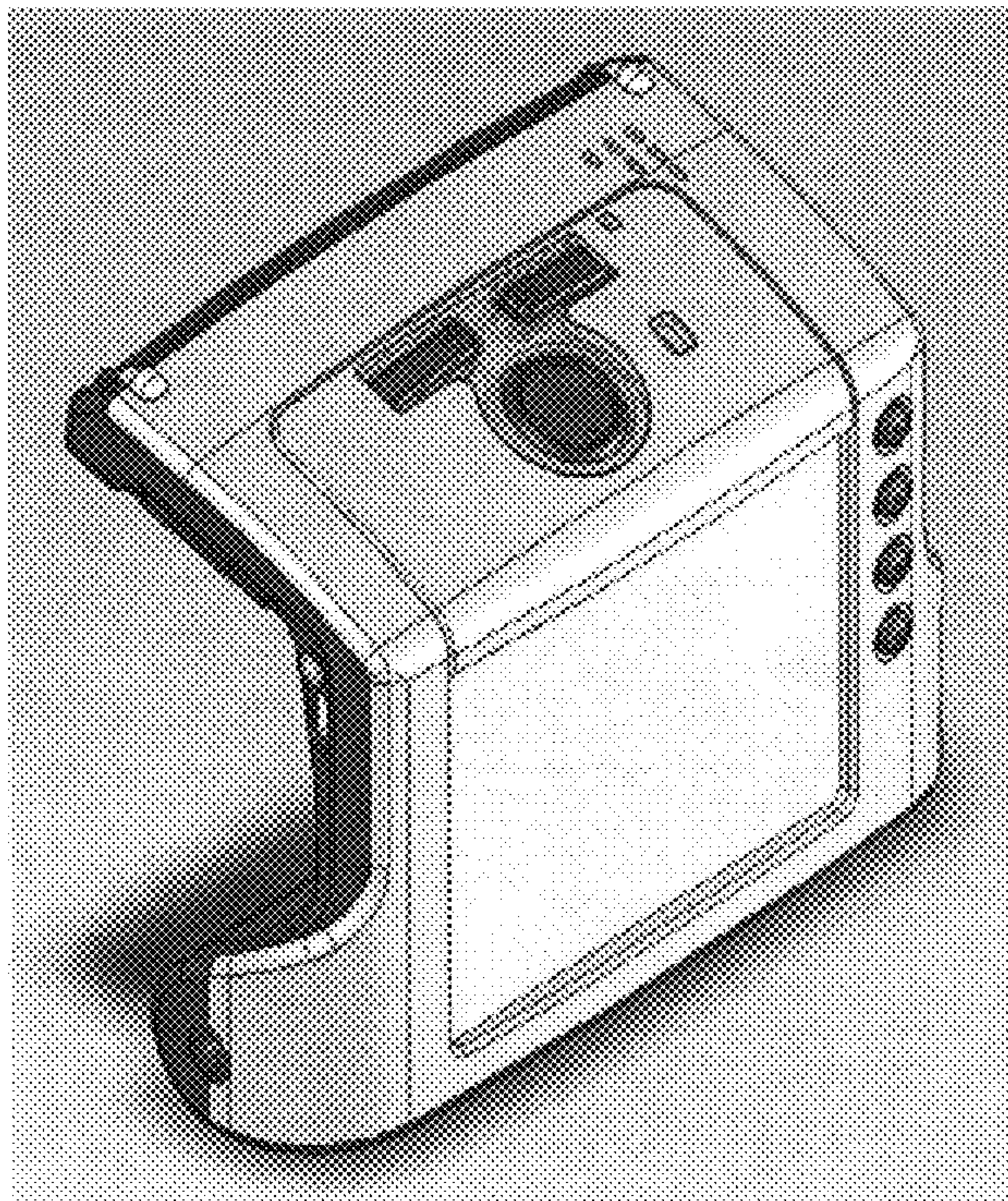


FIG. 1

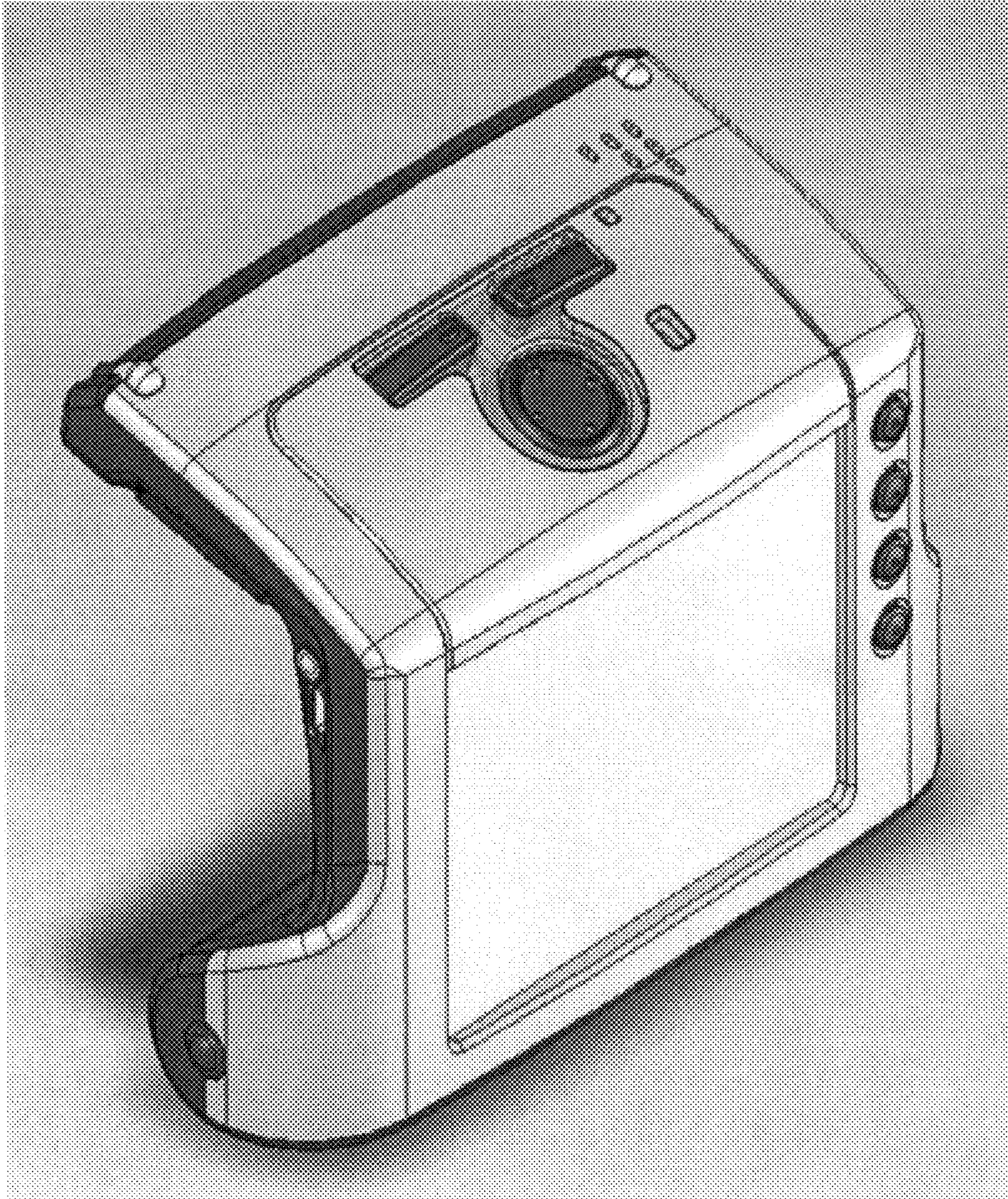


FIG. 2

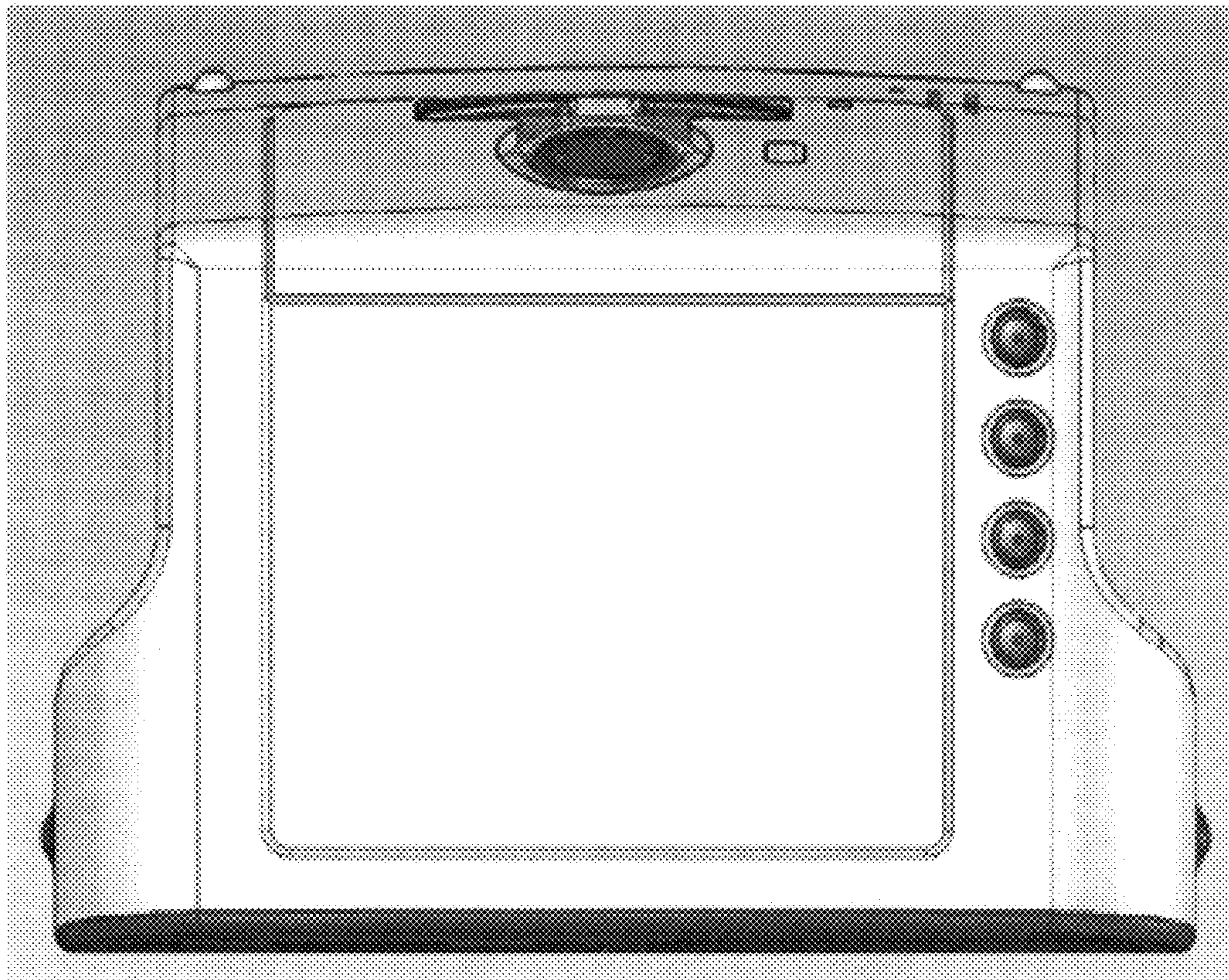


FIG. 3

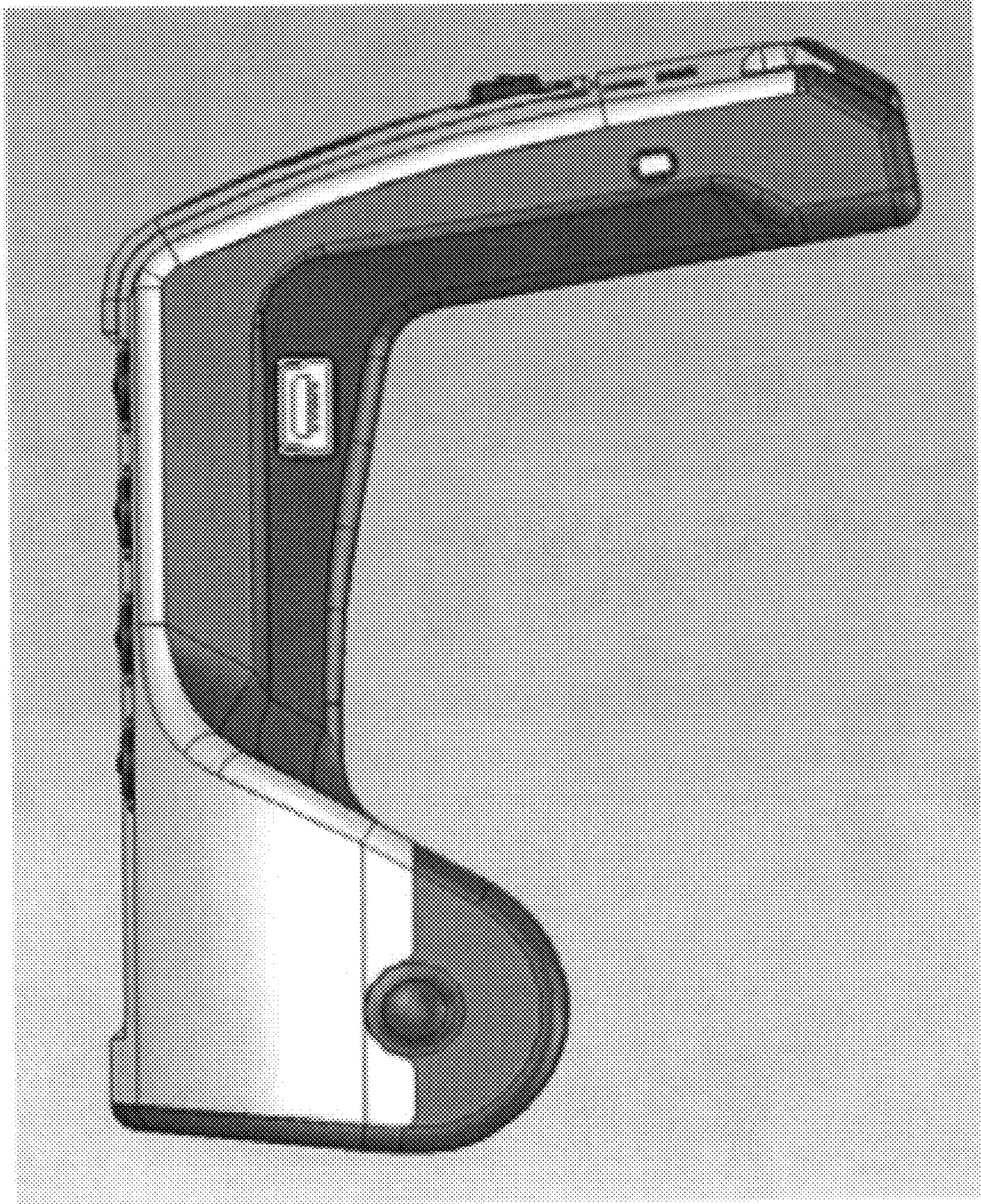


FIG. 4

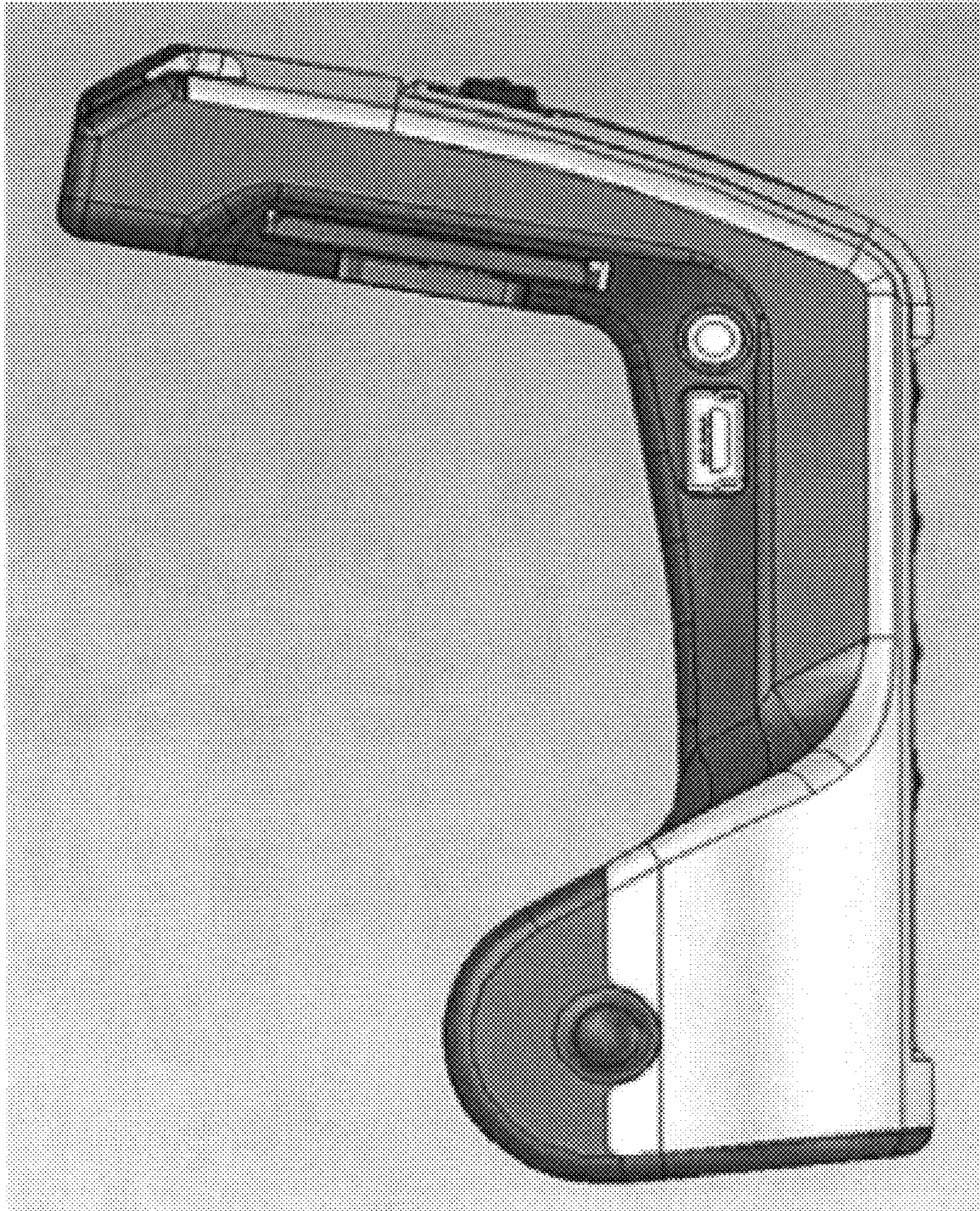


FIG. 5

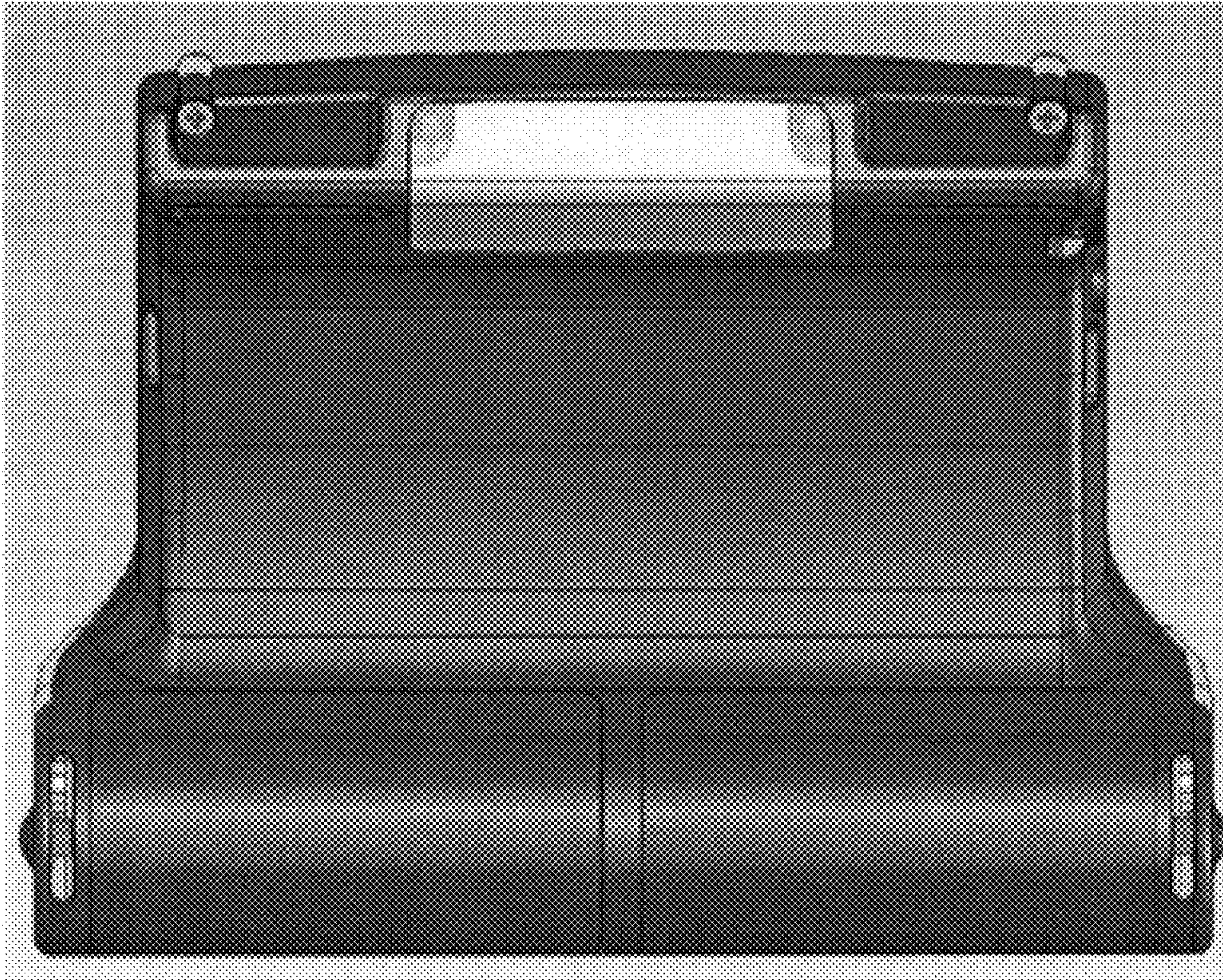


FIG. 6

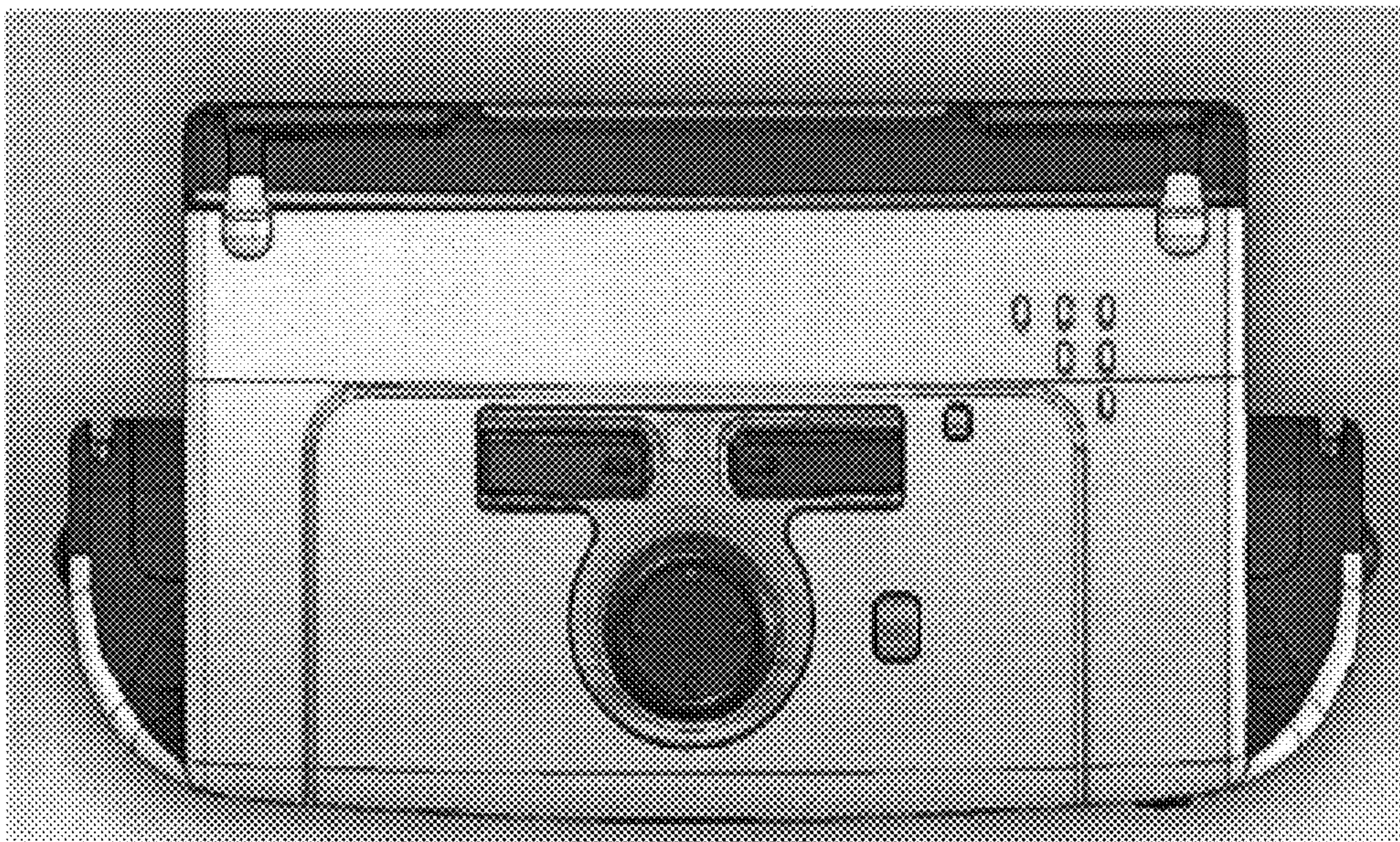


FIG. 7

