



US00D578526S

(12) **United States Design Patent**  
**Hwangbo**

(10) **Patent No.:** **US D578,526 S**  
(45) **Date of Patent:** **\*\* Oct. 14, 2008**

(54) **ELECTRONIC DIARY**

(75) Inventor: **Hyung-Ho Hwangbo**, Seoul (KR)

(73) Assignee: **Samsung Electronics Co., Ltd.**, Suwon, Kyunggi-Do (KR)

(\*\*) Term: **14 Years**

(21) Appl. No.: **29/301,738**

(22) Filed: **Mar. 14, 2008**

(51) **LOC (8) Cl.** ..... **14-02**

(52) **U.S. Cl.** ..... **D14/341**

(58) **Field of Classification Search** ..... D14/341, D14/342, 343, 344, 345, 346, 347, 420, 426, D14/427, 432, 439, 440, 441, 448, 496, 125, D14/137, 129, 130, 138, 250, 389, 147, 218, D14/247, 248, 156, 315-327; D10/65, 78, D10/104, 46; D13/168; D18/1, 2, 6, 7; D21/329, D21/686; D6/596, 601, 605; 455/90.3, 556.1, 455/556.2, 575.1, 575.3, 575.4; 379/433.01, 379/433.04, 433.06, 433.07; 361/814; 341/22; 345/169, 173; D19/59-60  
See application file for complete search history.

(56) **References Cited**

**U.S. PATENT DOCUMENTS**

5,663,748 A \* 9/1997 Huffman et al. .... 345/173  
D493,463 S \* 7/2004 Takahashi ..... D14/373  
D511,162 S \* 11/2005 Majumder ..... D14/345

D514,121 S \* 1/2006 Johnson ..... D14/496  
D517,545 S \* 3/2006 Buckel et al. .... D14/345  
D523,853 S \* 6/2006 Ishikawa et al. .... D14/345  
7,138,982 B2 \* 11/2006 Sugimoto ..... 345/169

**OTHER PUBLICATIONS**

U.S. Appl. No. 29/273,433, Applicant: Joon-Ki Yun, et al., filed Mar. 6, 2007 entitled Portable Electronic Notebook.

\* cited by examiner

*Primary Examiner*—Cathron Brooks

*Assistant Examiner*—Barbara Fox

(74) *Attorney, Agent, or Firm*—Flynn, Thiel, Boutell & Tanis, P.C.

(57) **CLAIM**

The ornamental design for an electronic diary, as shown and described.

**DESCRIPTION**

FIG. 1 is a top front perspective view of an electronic diary showing my new design;

FIG. 2 is a front elevational view thereof;

FIG. 3 is a rear elevational view thereof;

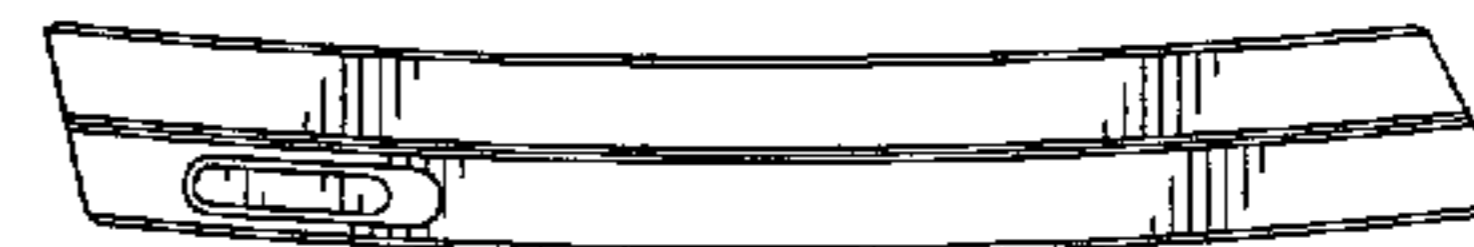
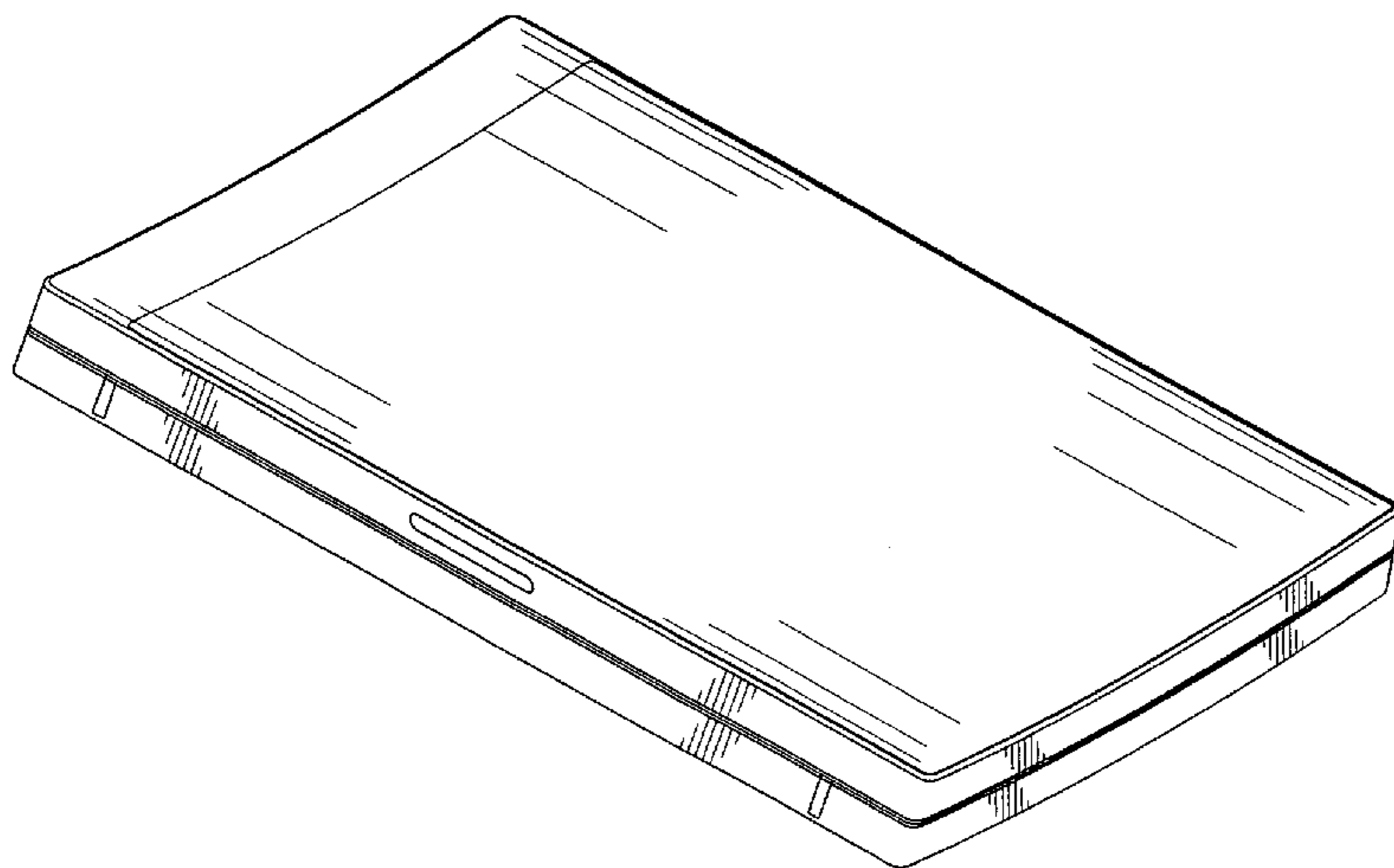
FIG. 4 is a left side elevational view thereof;

FIG. 5 is a right side elevational view thereof;

FIG. 6 is a top plan view thereof; and,

FIG. 7 is a bottom plan view thereof.

**1 Claim, 4 Drawing Sheets**



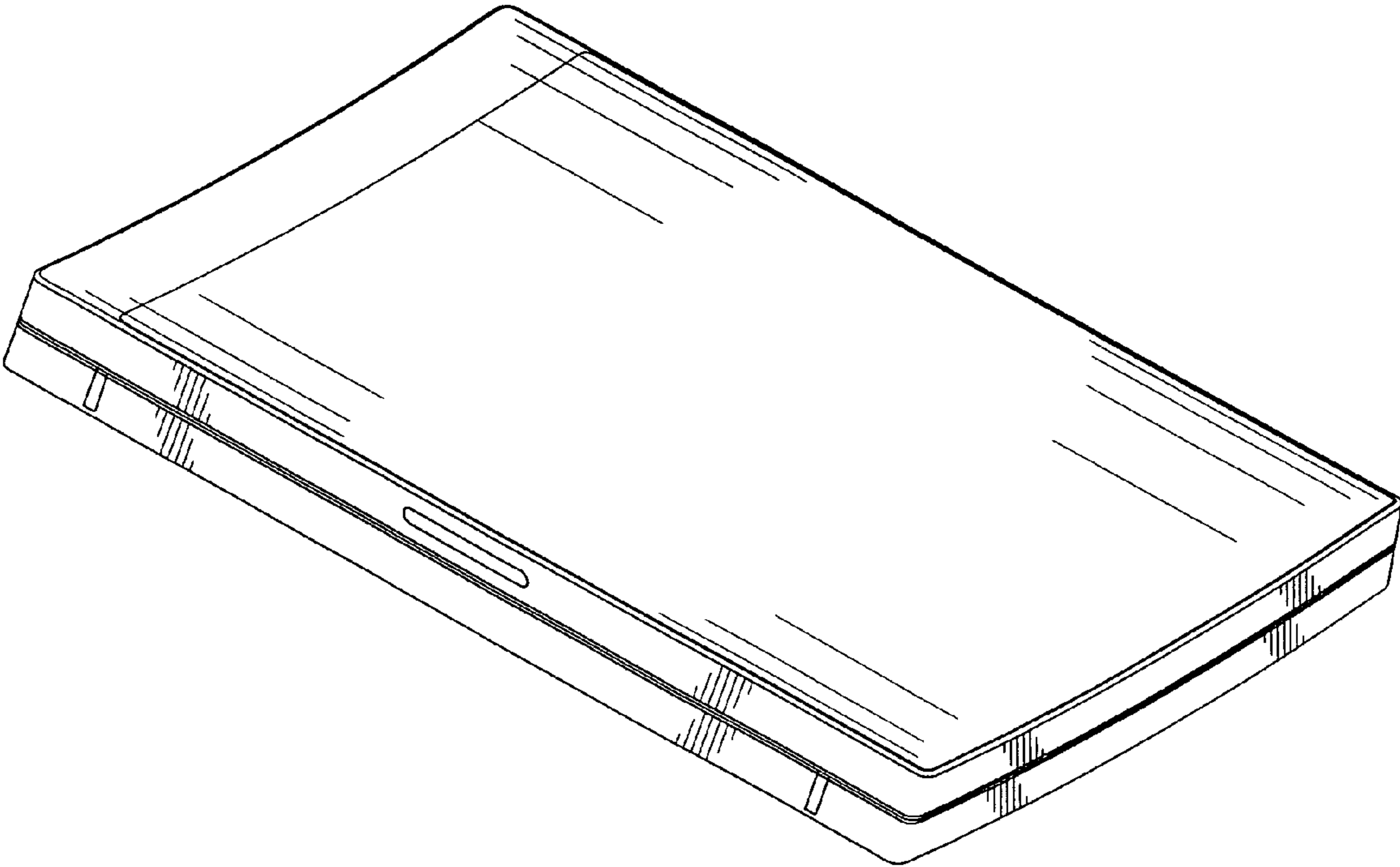


FIG. 1

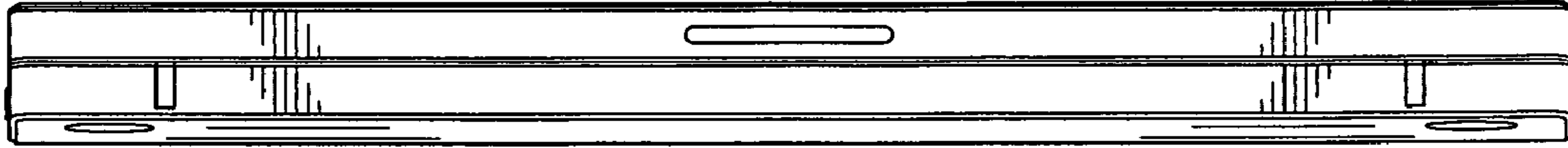


FIG. 2

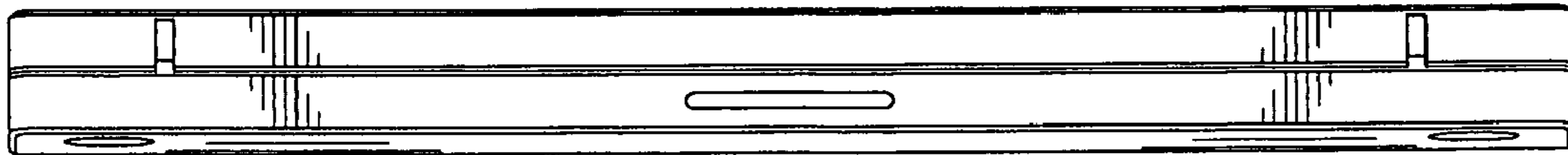


FIG. 3

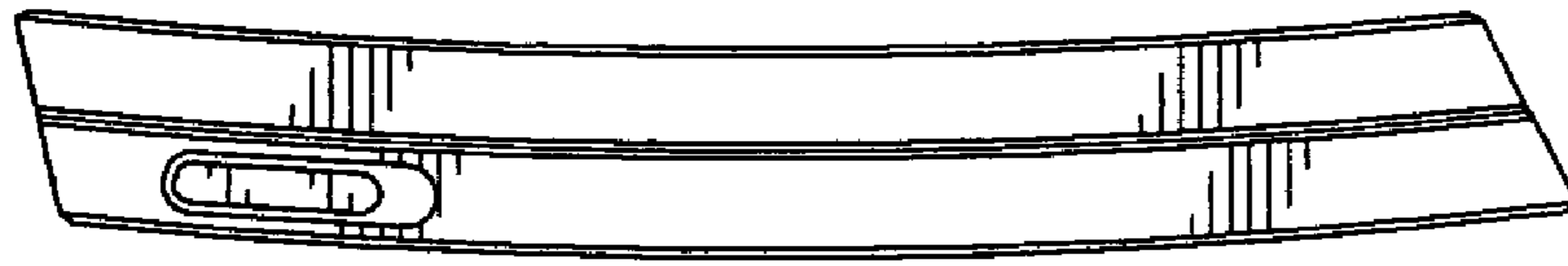


FIG. 4

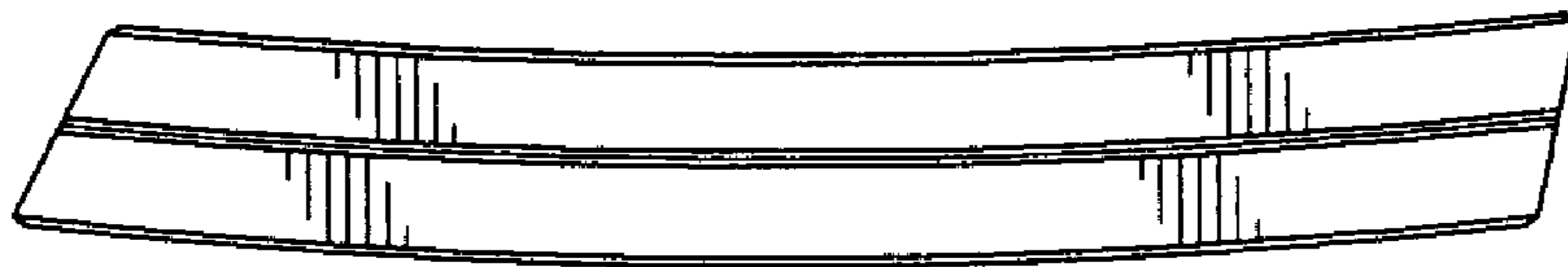


FIG. 5

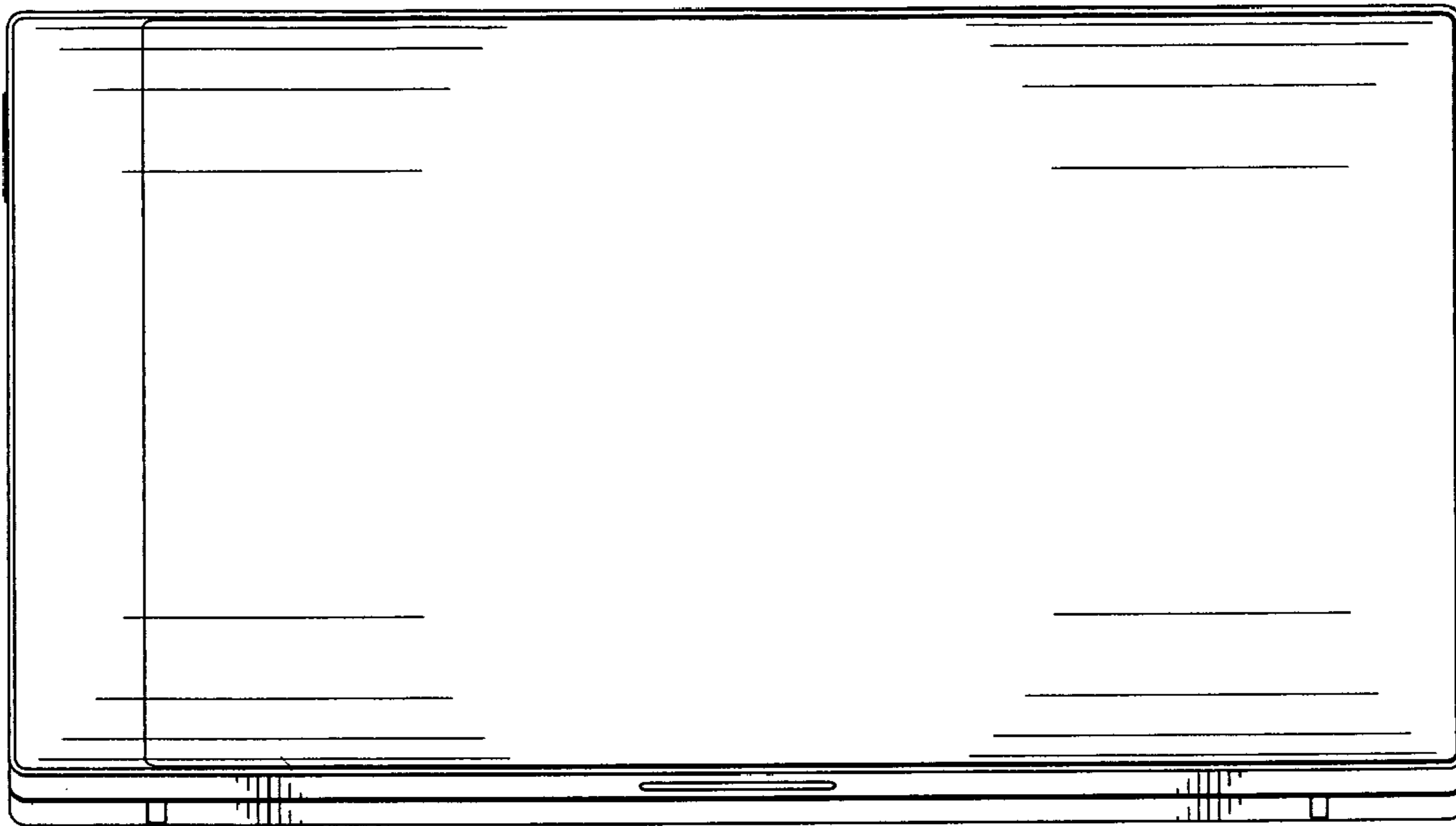


FIG. 6

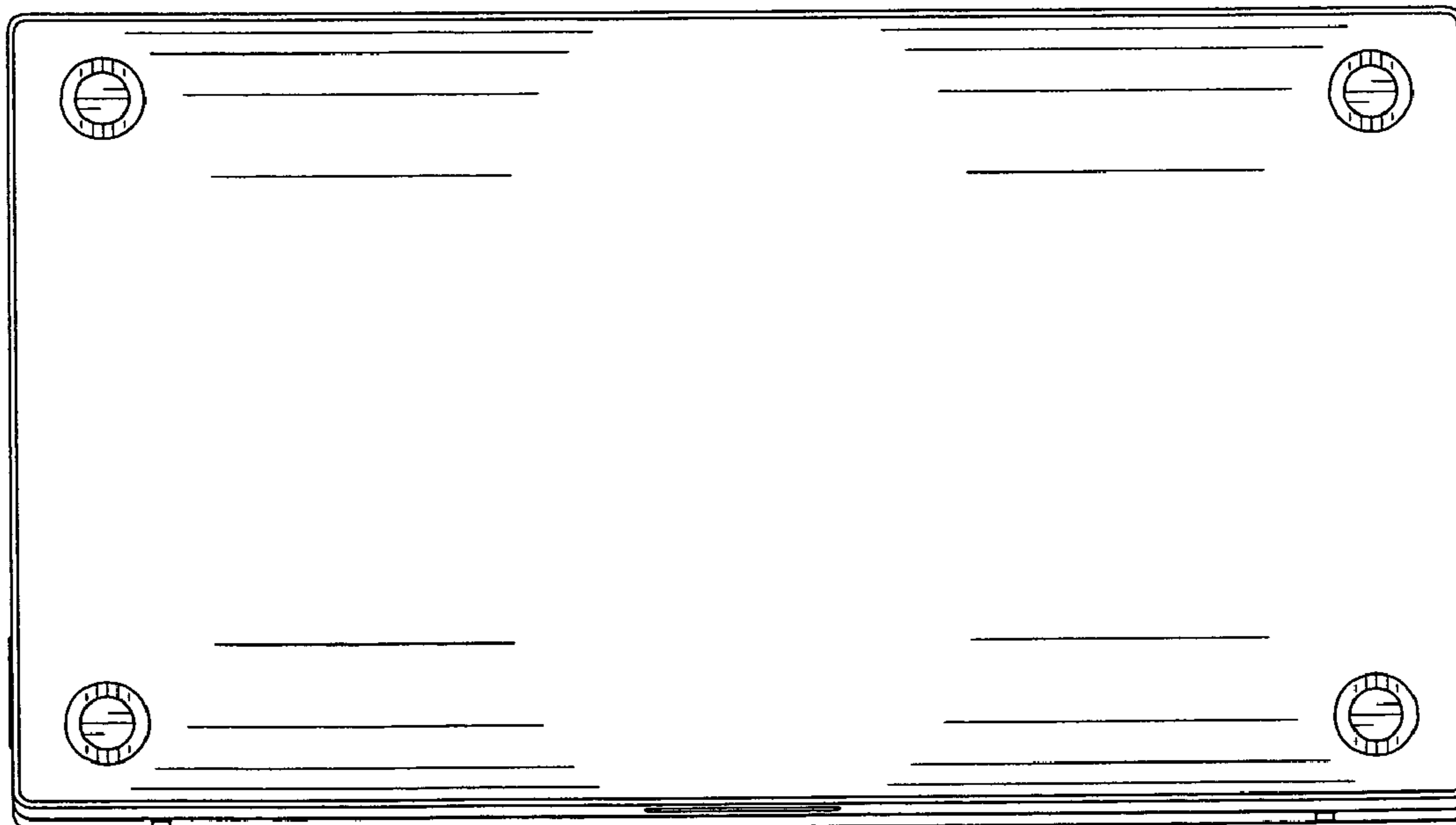


FIG. 7