



US00D578525S

(12) **United States Design Patent**  
**Yoon**

(10) **Patent No.:** **US D578,525 S**  
(45) **Date of Patent:** **\*\* Oct. 14, 2008**

(54) **NOTEBOOK COMPUTER**

(75) Inventor: **Sang-Won Yoon**, Seoul (KR)

(73) Assignee: **Samsung Electronics Co., Ltd.**, Suwon, Kyunggi-Do (KR)

(\*\*) Term: **14 Years**

(21) Appl. No.: **29/292,086**

(22) Filed: **Sep. 27, 2007**

(51) **LOC (8) Cl.** ..... **14-02**

(52) **U.S. Cl.** ..... **D14/319**

(58) **Field of Classification Search** ..... D14/315-328;  
D18/1, 2, 7, 11; 235/145 A, 145 R; 341/22,  
341/23; 345/104, 156, 168, 169, 173, 87,  
345/901-905; 361/680-686; 400/486, 489;  
710/14

See application file for complete search history.

(56) **References Cited**

**U.S. PATENT DOCUMENTS**

D335,870 S	5/1993	Yun	
D336,465 S	6/1993	Kim	
D338,457 S	8/1993	Kim	
D348,442 S	7/1994	Yoon	
6,073,187 A *	6/2000	Jacobs et al.	710/14
D489,366 S *	5/2004	Lu	D14/318
D492,678 S	7/2004	Kim et al.	
D511,515 S *	11/2005	Huang et al.	D14/327
D523,010 S	6/2006	Paek et al.	
D523,431 S	6/2006	Yoon	
D523,851 S	6/2006	Jeong et al.	
D523,852 S	6/2006	Kim et al.	
D524,306 S	7/2006	Yun et al.	

D524,307 S	7/2006	Kim et al.	
D535,652 S	1/2007	Lee et al.	
D535,990 S *	1/2007	Zhang et al.	D14/315
D547,309 S	7/2007	Yoon	
D547,310 S	7/2007	Yoon	

**OTHER PUBLICATIONS**

U.S. Appl. No. 29/269,011, Applicant: Sang-Won Yoon, filed Nov. 17, 2006 entitled Notebook Computer.

U.S. Appl. No. 29/272,052, Applicant: Sang-Won Yoon, filed Jan. 31, 2007 entitled Notebook Computer.

U.S. Appl. No. 29/272,054, Applicant: Sang-Won Yoon, filed Jan. 31, 2007 entitled Notebook Computer.

\* cited by examiner

*Primary Examiner*—Freda S Nunn

(74) *Attorney, Agent, or Firm*—Flynn, Thiel, Boutell & Tanis, P.C.

(57) **CLAIM**

The ornamental design for a notebook computer, as shown and described.

**DESCRIPTION**

FIG. 1 is a top front perspective view of a notebook computer showing my new design;

FIG. 2 is a front elevational view thereof;

FIG. 3 is a rear elevational view thereof;

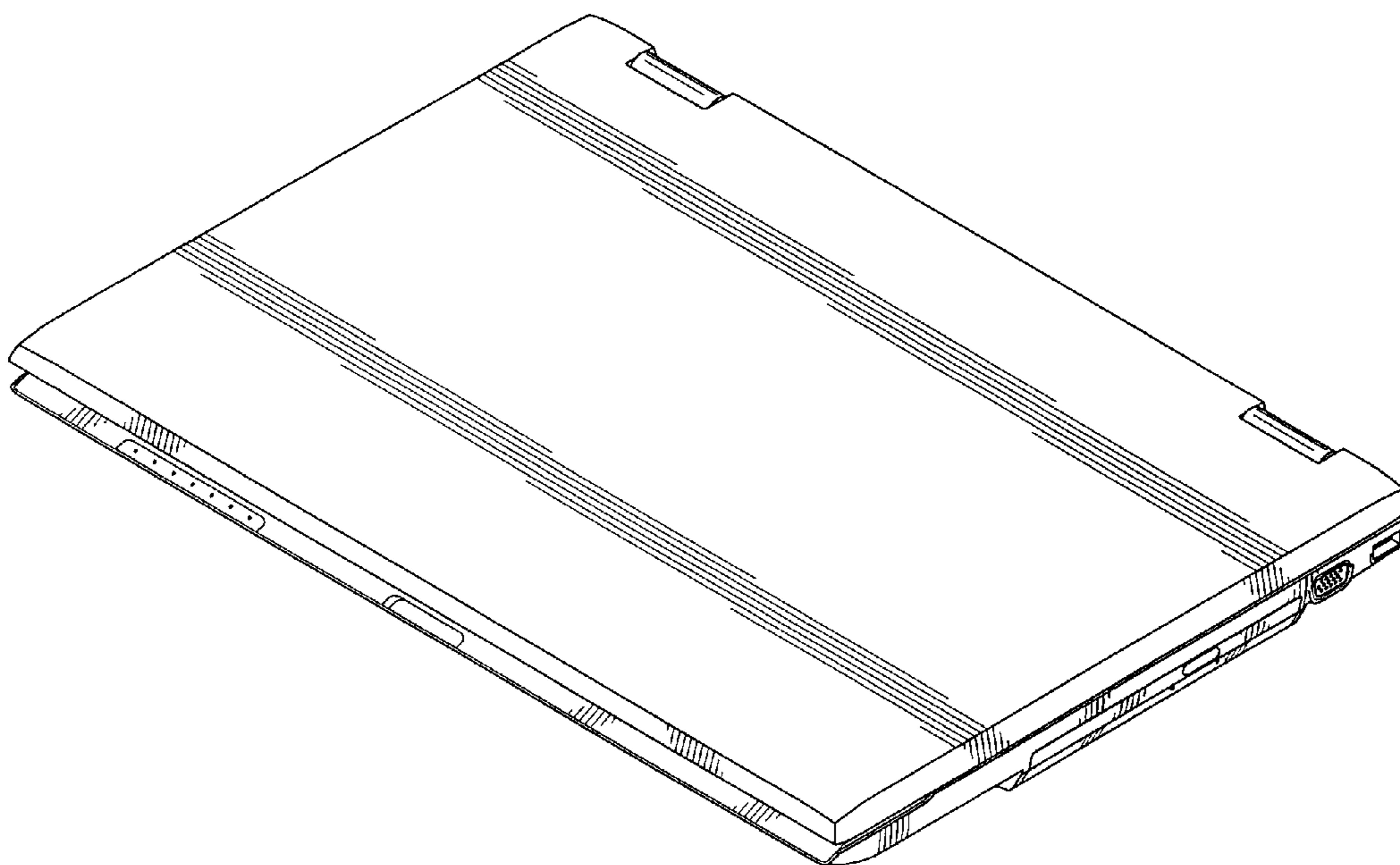
FIG. 4 is a left side elevational view thereof;

FIG. 5 is a right side elevational view thereof;

FIG. 6 is a top plan view thereof; and,

FIG. 7 is a bottom plan view thereof.

**1 Claim, 4 Drawing Sheets**



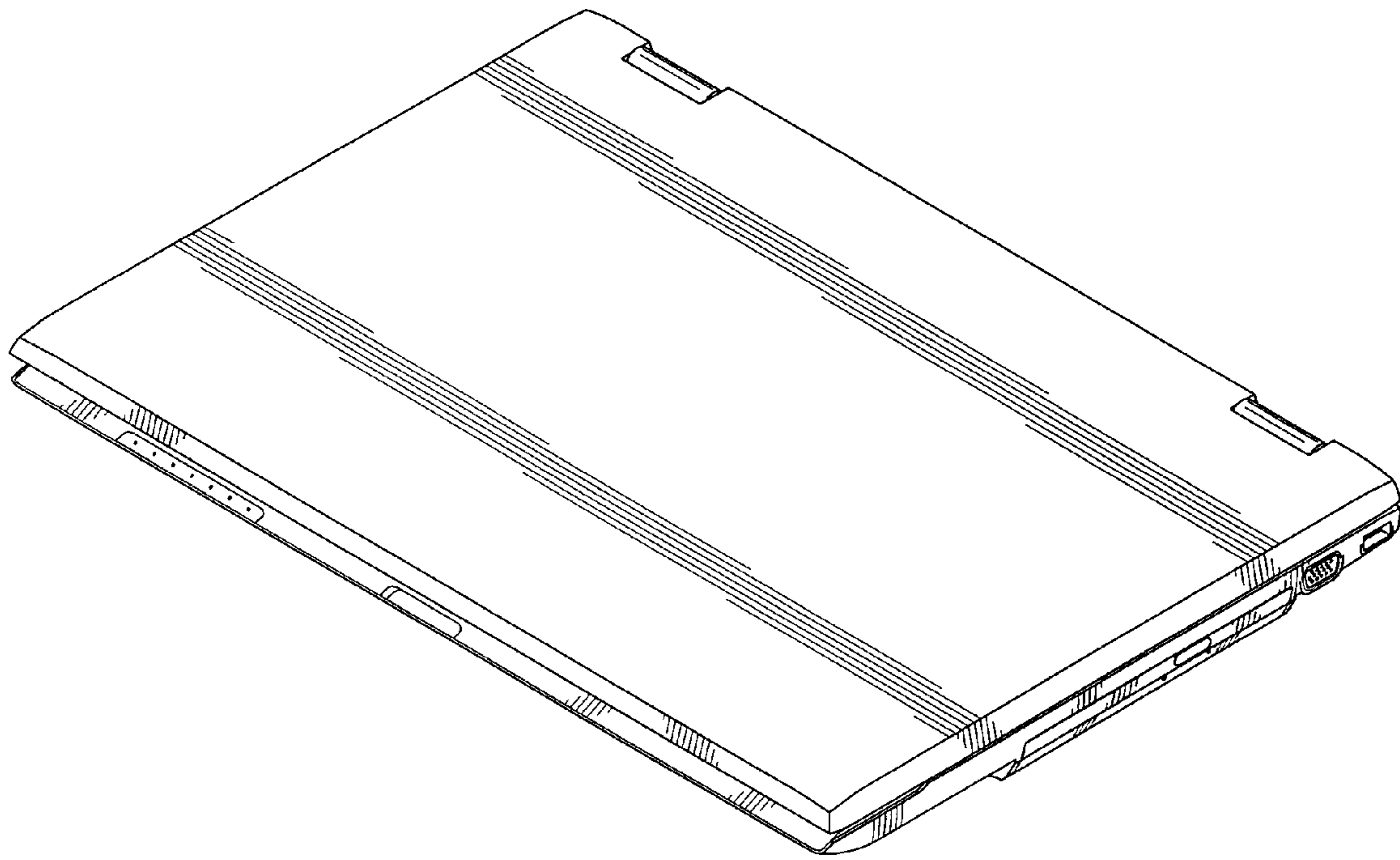


FIG. 1

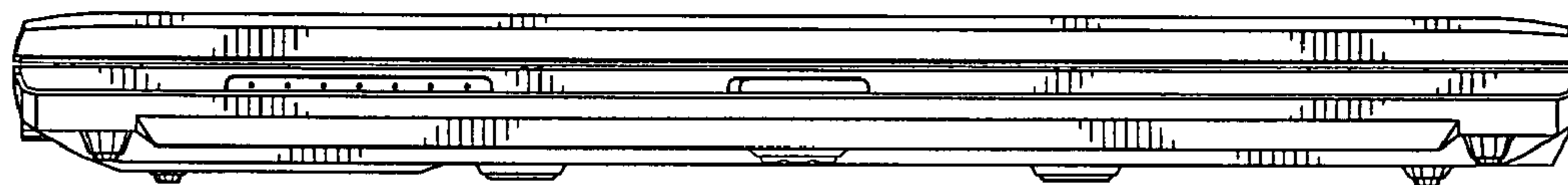


FIG. 2

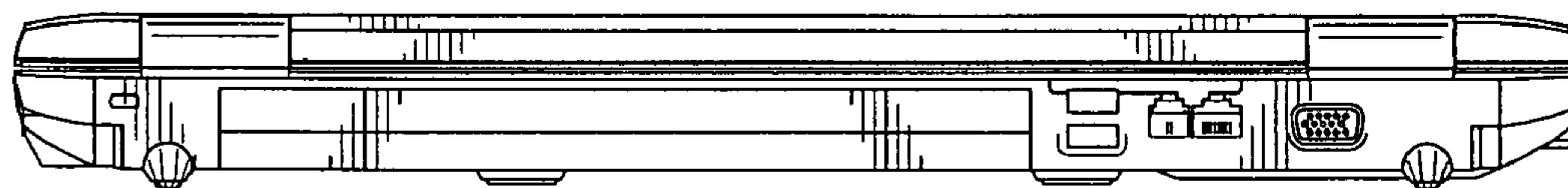


FIG. 3

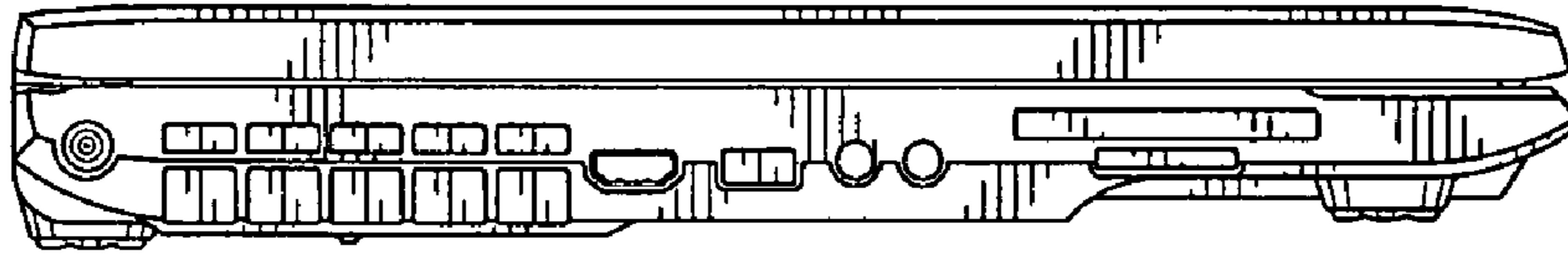


FIG. 4

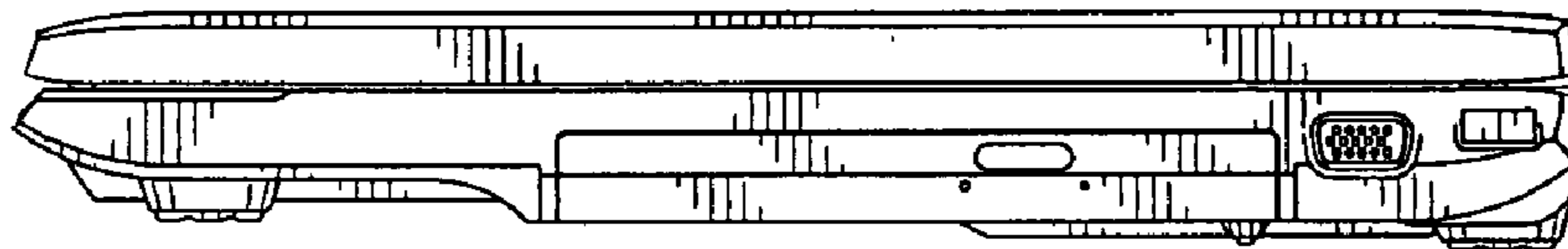


FIG. 5

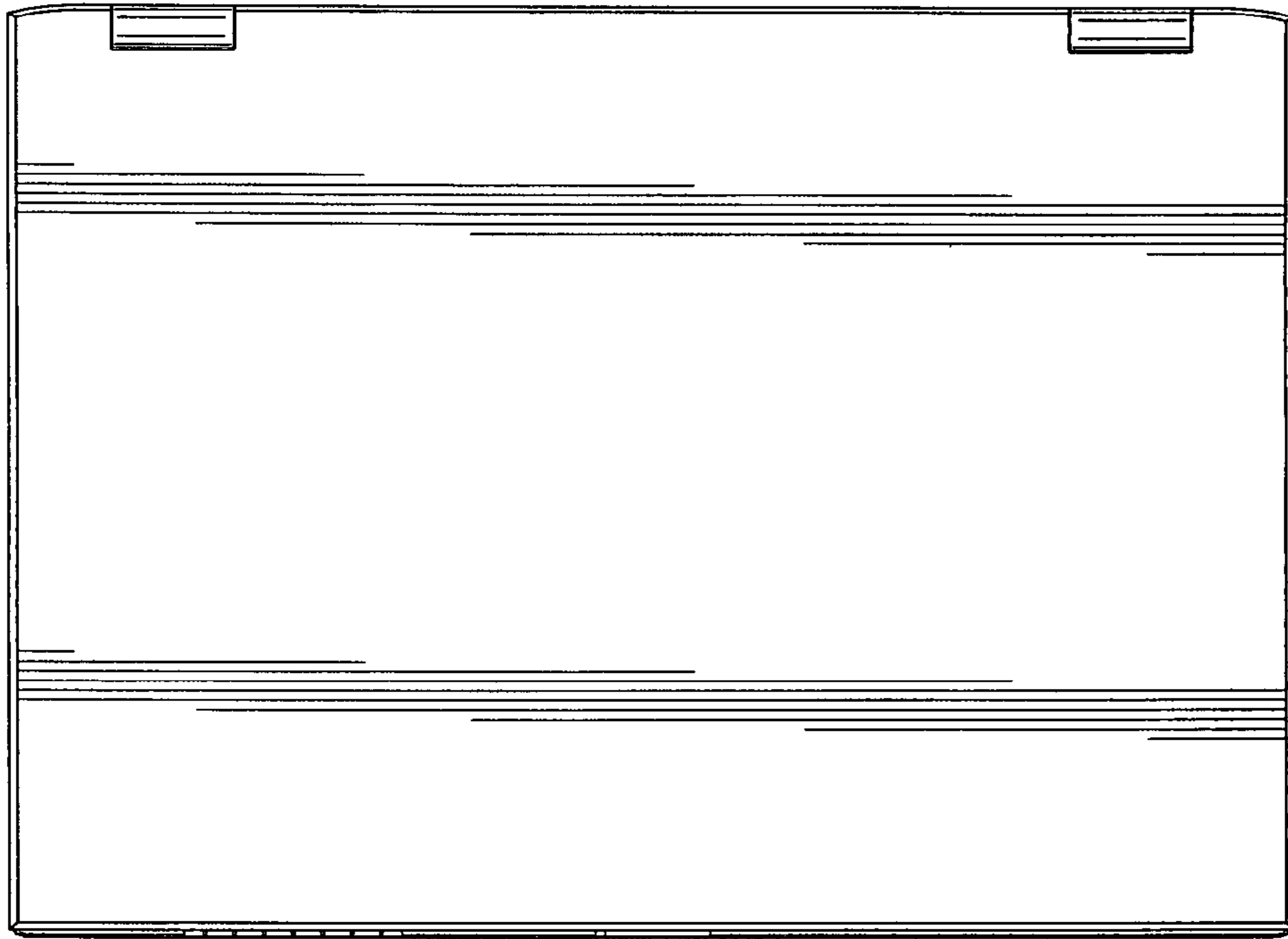


FIG. 6

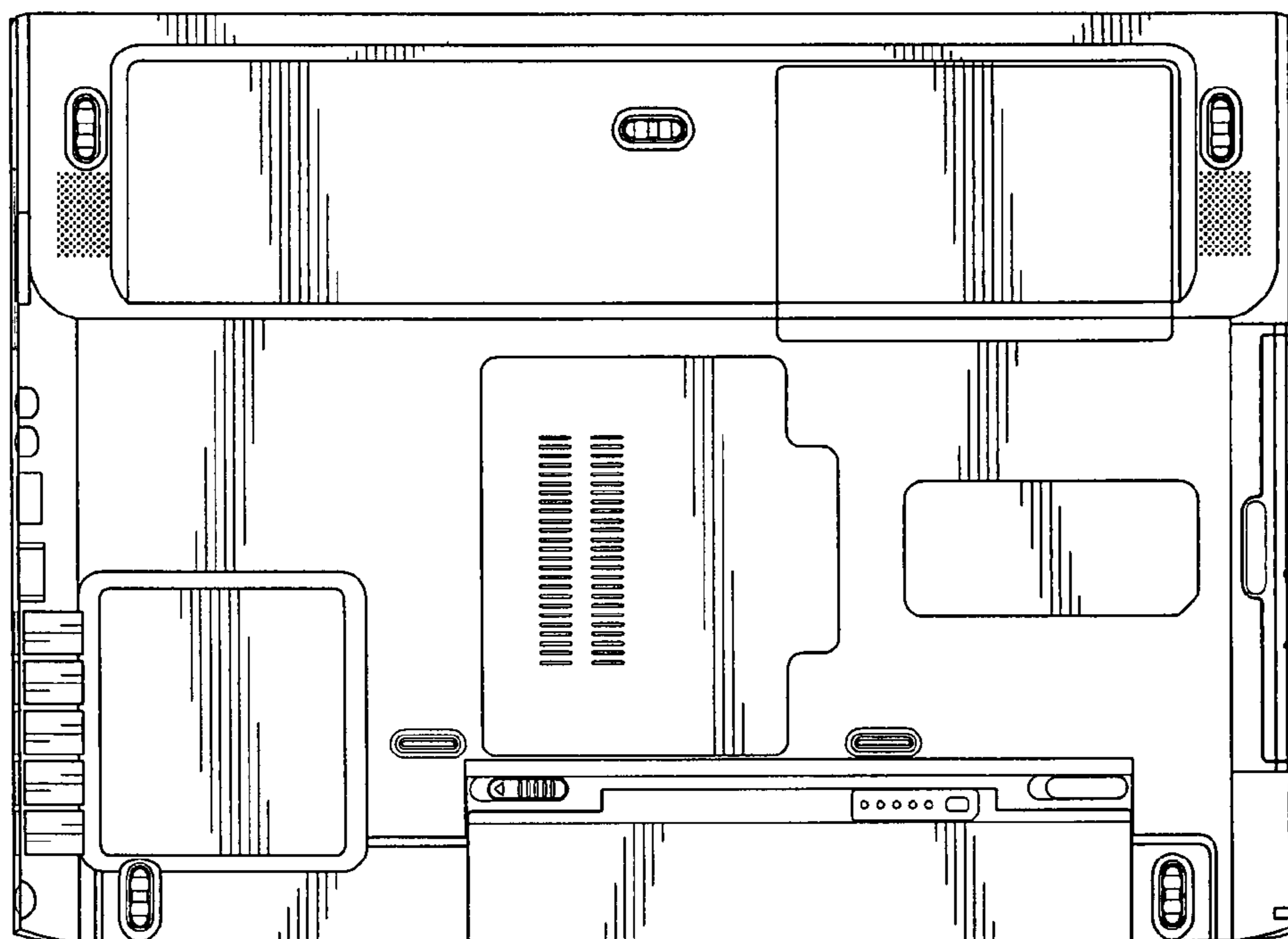


FIG. 7