



US00D578522S

(12) **United States Design Patent**  
**Muto**

(10) **Patent No.:** **US D578,522 S**  
(45) **Date of Patent:** **\*\* Oct. 14, 2008**

(54) **DIGITAL AUDIO DISC PLAYER FOR AN AUTOMOBILE**

(75) Inventor: **Kanji Muto**, Kadoma (JP)

(73) Assignee: **Matsushita Electric Industrial Co., Ltd.**, Kadoma-shi (JP)

(\*\*) Term: **14 Years**

(21) Appl. No.: **29/297,341**

(22) Filed: **Nov. 8, 2007**

(30) **Foreign Application Priority Data**

Jun. 6, 2007 (JP) ..... 2007-015080

(51) **LOC (8) Cl.** ..... **14-01**

(52) **U.S. Cl.** ..... **D14/258**

(58) **Field of Classification Search** ..... D14/135-136,  
D14/156-157, 168, 197-198, 188, 257, 258;  
360/99.02, 99.07; 369/75.11, 75.21, 77.21,  
369/77.11; 720/612, 619, 647, 655; 455/344,  
455/347-351

See application file for complete search history.

(56) **References Cited**

**U.S. PATENT DOCUMENTS**

D391,958 S 3/1998 Miyazawa  
D475,691 S 6/2003 Nishii  
D486,134 S 2/2004 Hori  
D786,135 2/2004 Hori  
D495,314 S 8/2004 Mizokawa  
D495,315 S 8/2004 Mizokawa  
D515,547 S 2/2006 Mizokawa  
D515,549 S 2/2006 Mizokawa  
D515,550 S 2/2006 Mizokawa

D516,536 S 3/2006 Mizokawa  
D533,535 S 12/2006 Mizokawa  
D534,887 S \* 1/2007 Endo et al. .... D14/136  
D537,057 S 2/2007 Mizokawa  
D544,860 S \* 6/2007 Kimura et al. .... D14/258

**FOREIGN PATENT DOCUMENTS**

JP 1302936 S 6/2007  
JP 1302937 S 6/2007  
JP 1302938 S 6/2007  
JP 1303611 S 6/2007

\* cited by examiner

*Primary Examiner*—Nanda Bondade

(74) *Attorney, Agent, or Firm*—Christensen O'Connor Johnson Kindness PLLC

(57) **CLAIM**

The ornamental design for a digital audio disc player for an automobile, as shown and described.

**DESCRIPTION**

FIG. 1 is a front, top and right side perspective view of a digital audio disc player for an automobile showing my new design;

FIG. 2 is a front view thereof;

FIG. 3 is a top view thereof;

FIG. 4 is a rear view thereof;

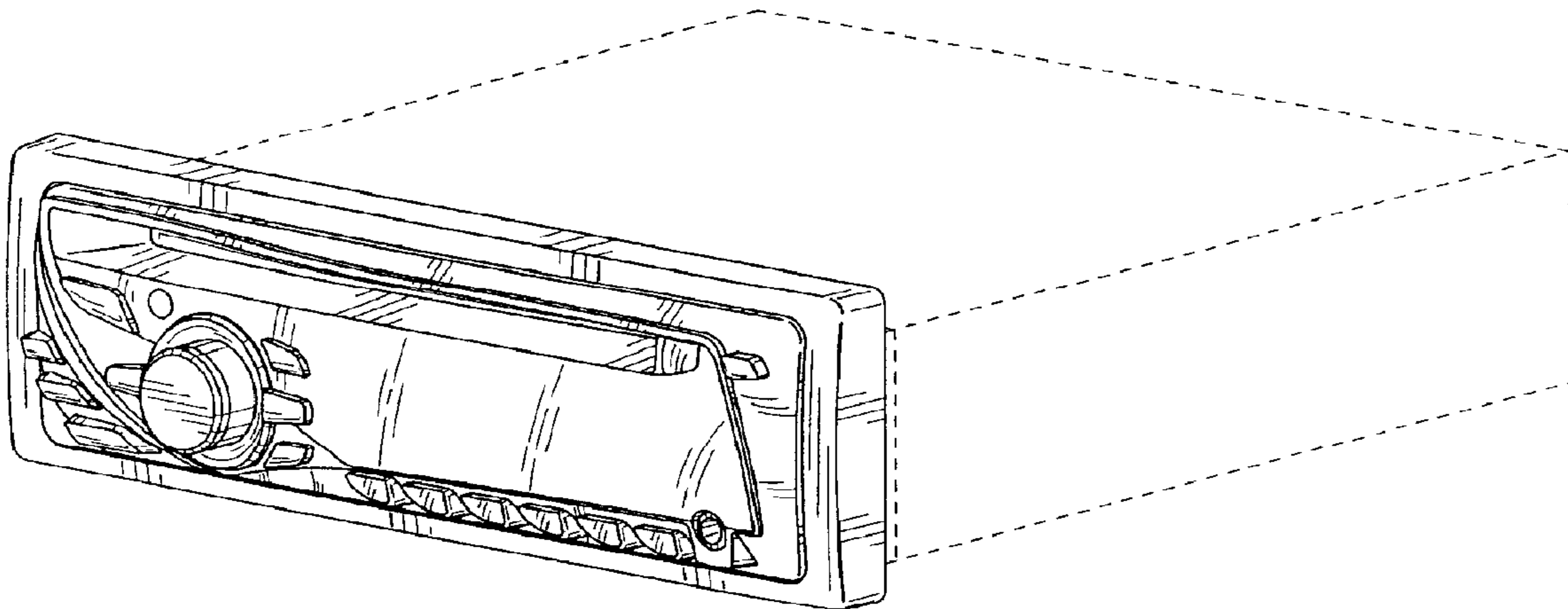
FIG. 5 is a bottom view thereof;

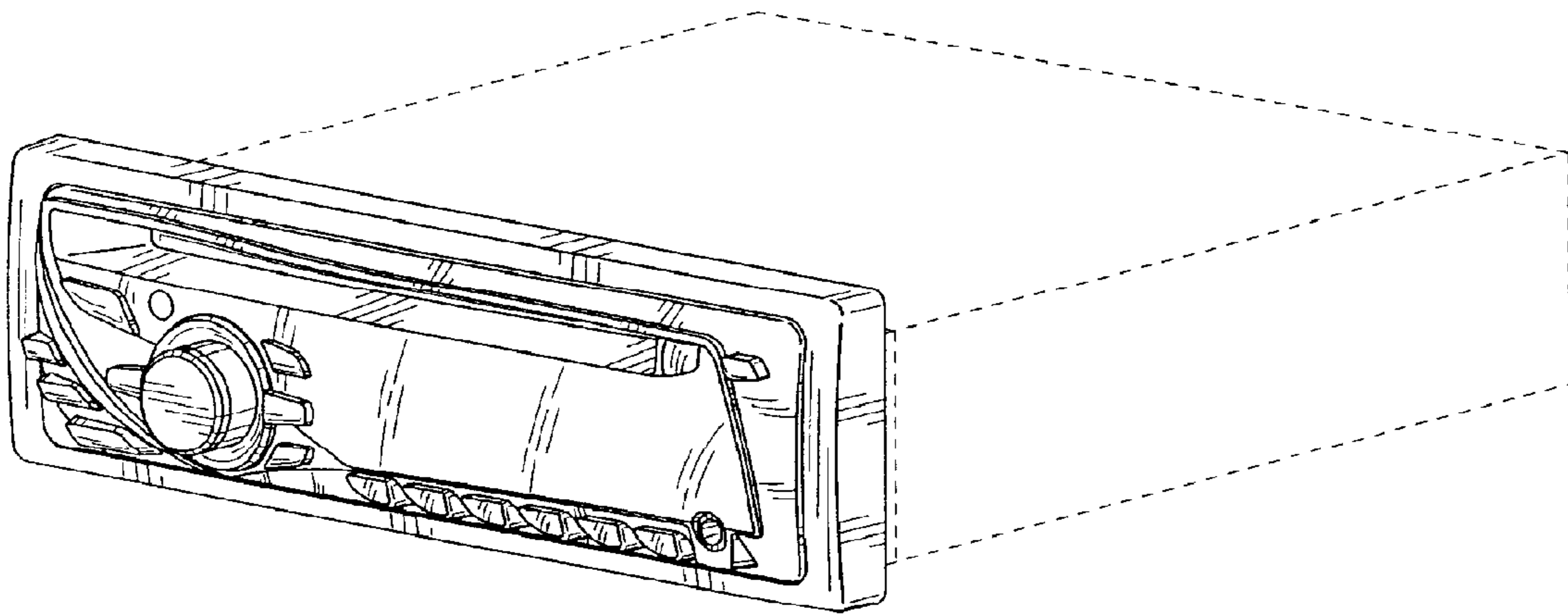
FIG. 6 is a right side view thereof; and,

FIG. 7 is a left side view thereof.

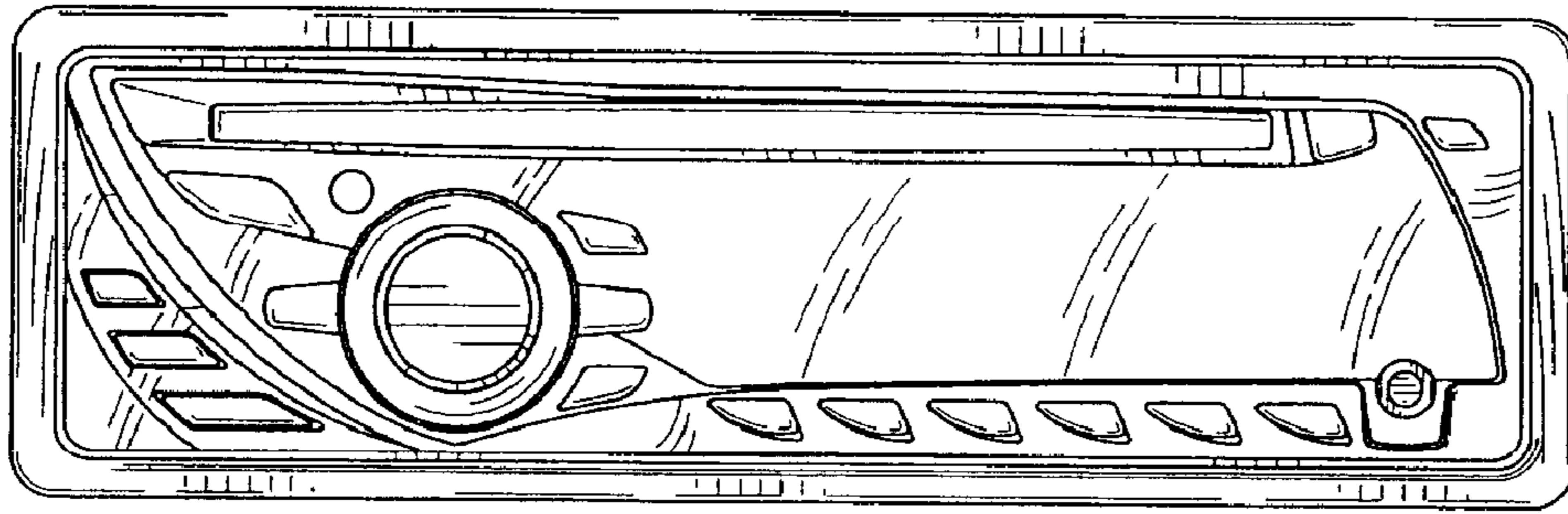
The portions shown in broken lines are for illustrative purposes only and form no part of the claimed design.

**1 Claim, 4 Drawing Sheets**

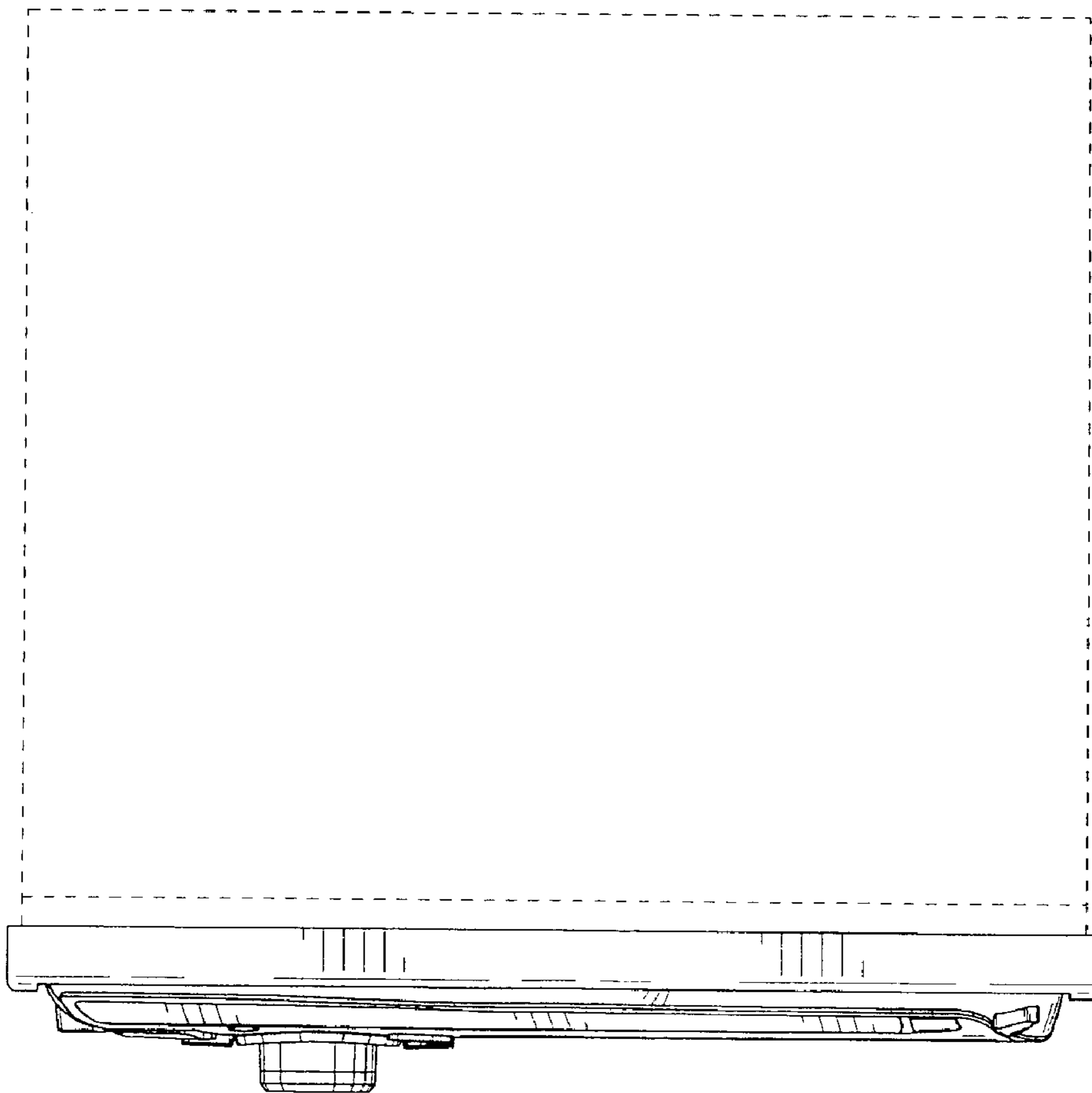




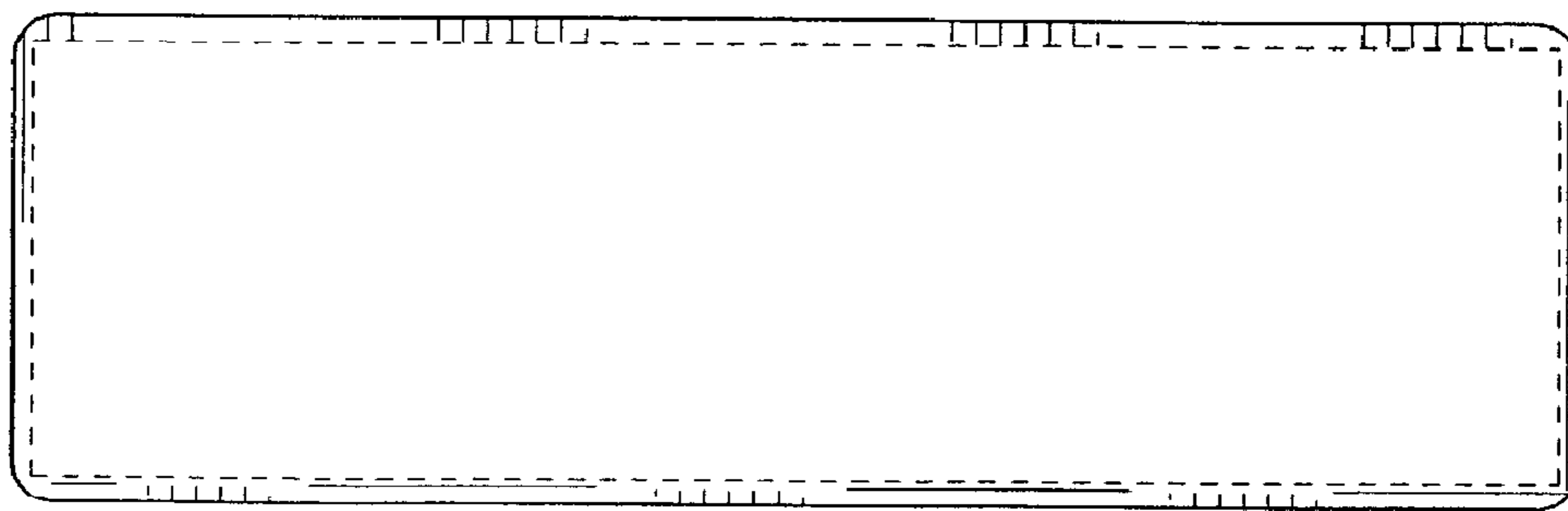
*FIG. 1*



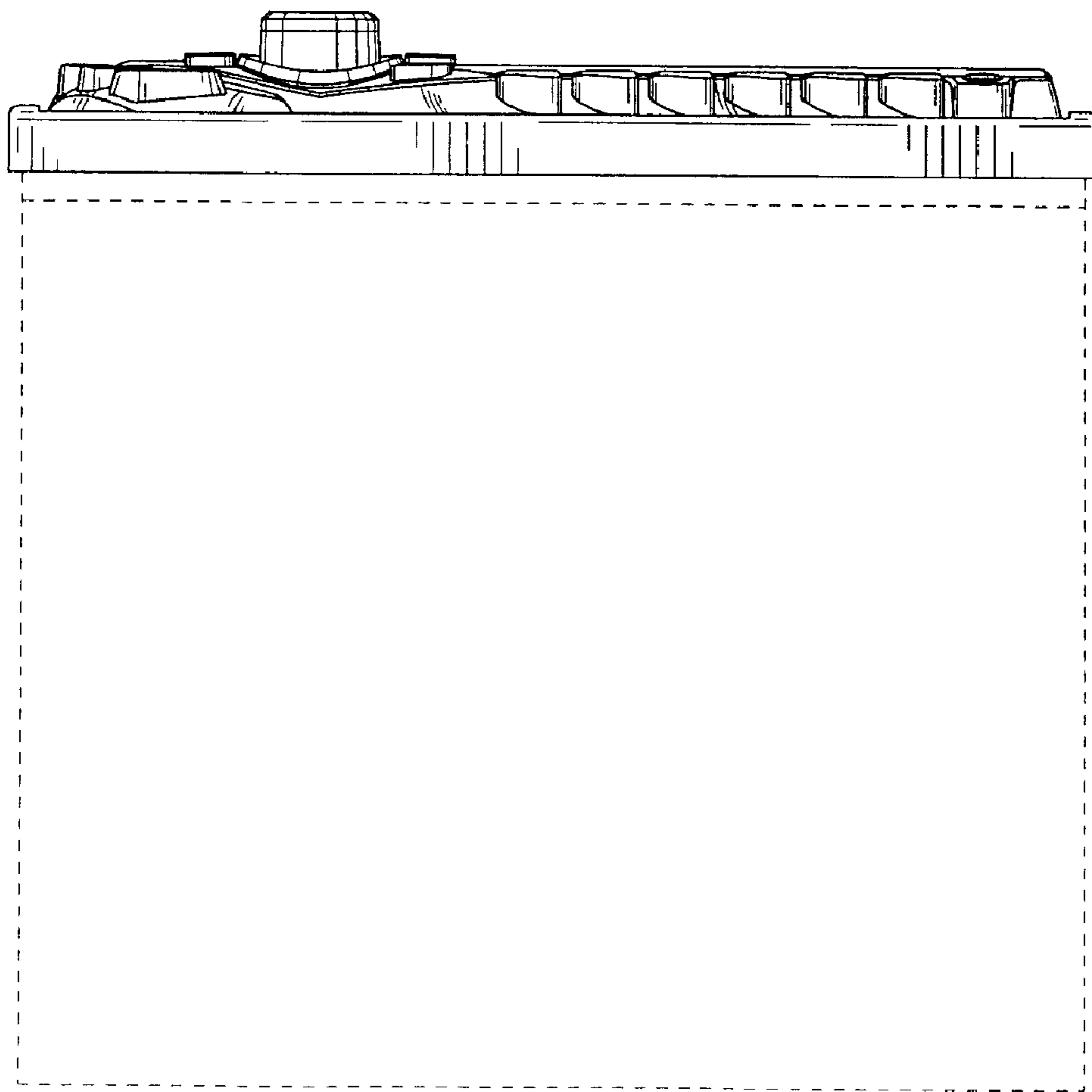
*FIG. 2*



*FIG. 3*



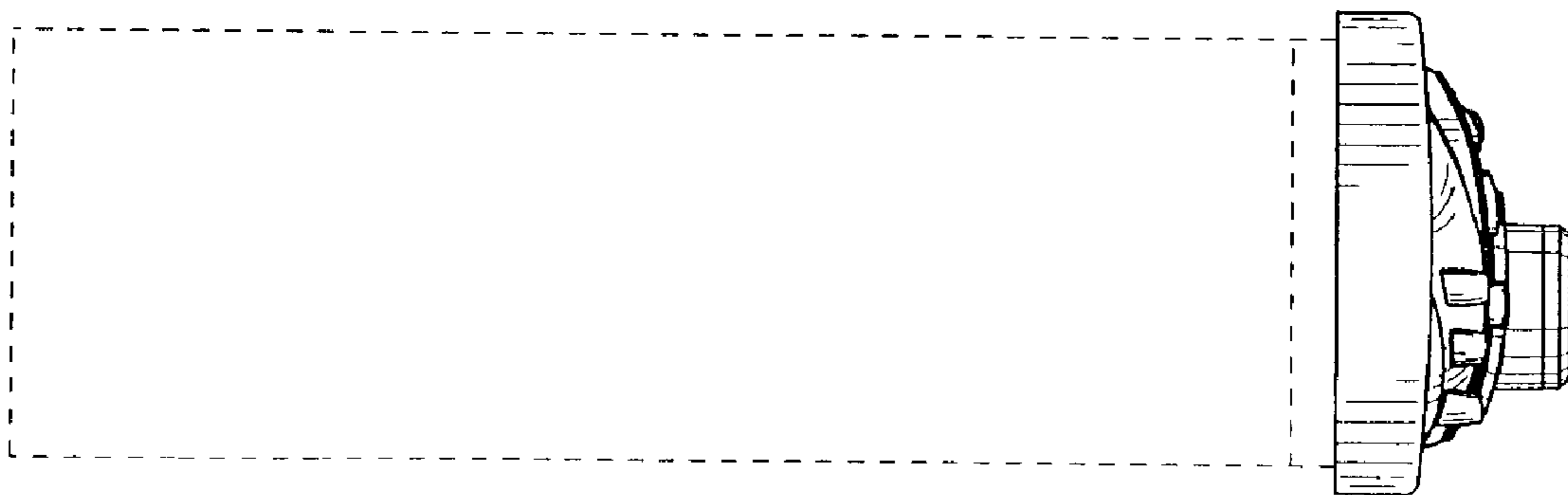
*FIG. 4*



*FIG. 5*



*FIG. 6*



*FIG. 7*