



US00D578521S

(12) **United States Design Patent**
Sergi et al.

(10) **Patent No.:** **US D578,521 S**
(45) **Date of Patent:** **** Oct. 14, 2008**

(54) **ANTENNA BRACKET**

(75) Inventors: **Paul D. Sergi**, Peninsula, OH (US);
Edward L. Merial, Canal Fulton, OH (US)

(73) Assignee: **PDS Electronics, Inc.**, Akron, OH (US)

(**) Term: **14 Years**

(21) Appl. No.: **29/291,972**

(22) Filed: **Sep. 25, 2007**

(51) **LOC (8) Cl.** **14-03**

(52) **U.S. Cl.** **D14/238; D8/354**

(58) **Field of Classification Search** D14/230-238,
D14/354, 299, 358; D6/495; D16/242; 343/700 R,
343/878-892; 455/561

See application file for complete search history.

(56) **References Cited**

U.S. PATENT DOCUMENTS

3,565,382 A	2/1971	Passarelli, Jr.	248/300
3,605,103 A	9/1971	Simons	343/812
D439,137 S	3/2001	Ausilio	D8/354
D465,402 S	11/2002	Ausilio	D8/354
D465,403 S	11/2002	Ausilio	D8/354
D523,920 S *	6/2006	Cresswell	D21/804
D534,905 S *	1/2007	Sergi	D14/238
D535,985 S *	1/2007	Sergi	D14/238
D538,630 S	3/2007	Sergi	D8/354

OTHER PUBLICATIONS

“Ladder Line Center Insulator WA1FFL”, Jim Hagerty, Tiverton, Rhode Island, 1 page (2005).

“450 Ohm Center Insulator”, MFJ Enterprises, Inc., Mississippi State, Mississippi, 1 page (2005).

“Cobra UltraLite—The Alternative Multi-Band Solution”, Granite State Antenna, Northwood, New Hampshire, 1 page (2005).

* cited by examiner

Primary Examiner—Louis S Zarfaz

Assistant Examiner—John Windmuller

(74) *Attorney, Agent, or Firm*—Renner, Kenner, Greive, Bobak, Taylor & Weber

(57) **CLAIM**

The ornamental design for an antenna bracket, as shown and described.

DESCRIPTION

FIG. 1 is a front, top, left side perspective view of an antenna bracket showing our new design;

FIG. 2 is a top plan view thereof;

FIG. 3 is a front elevational view thereof;

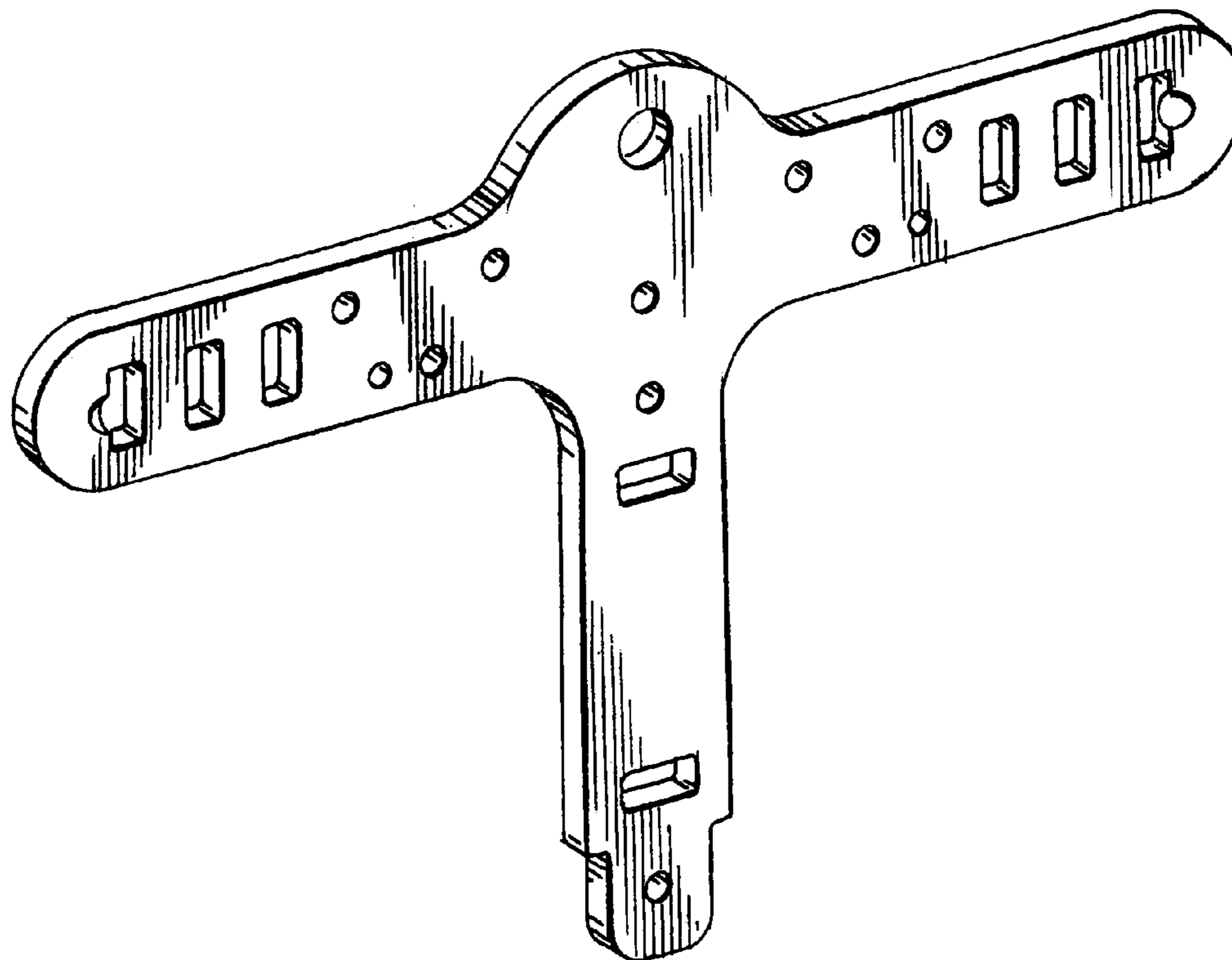
FIG. 4 is a rear elevational view thereof;

FIG. 5 is a left side elevational view thereof;

FIG. 6 is a right side elevational view thereof; and,

FIG. 7 is a bottom plan view thereof.

1 Claim, 3 Drawing Sheets



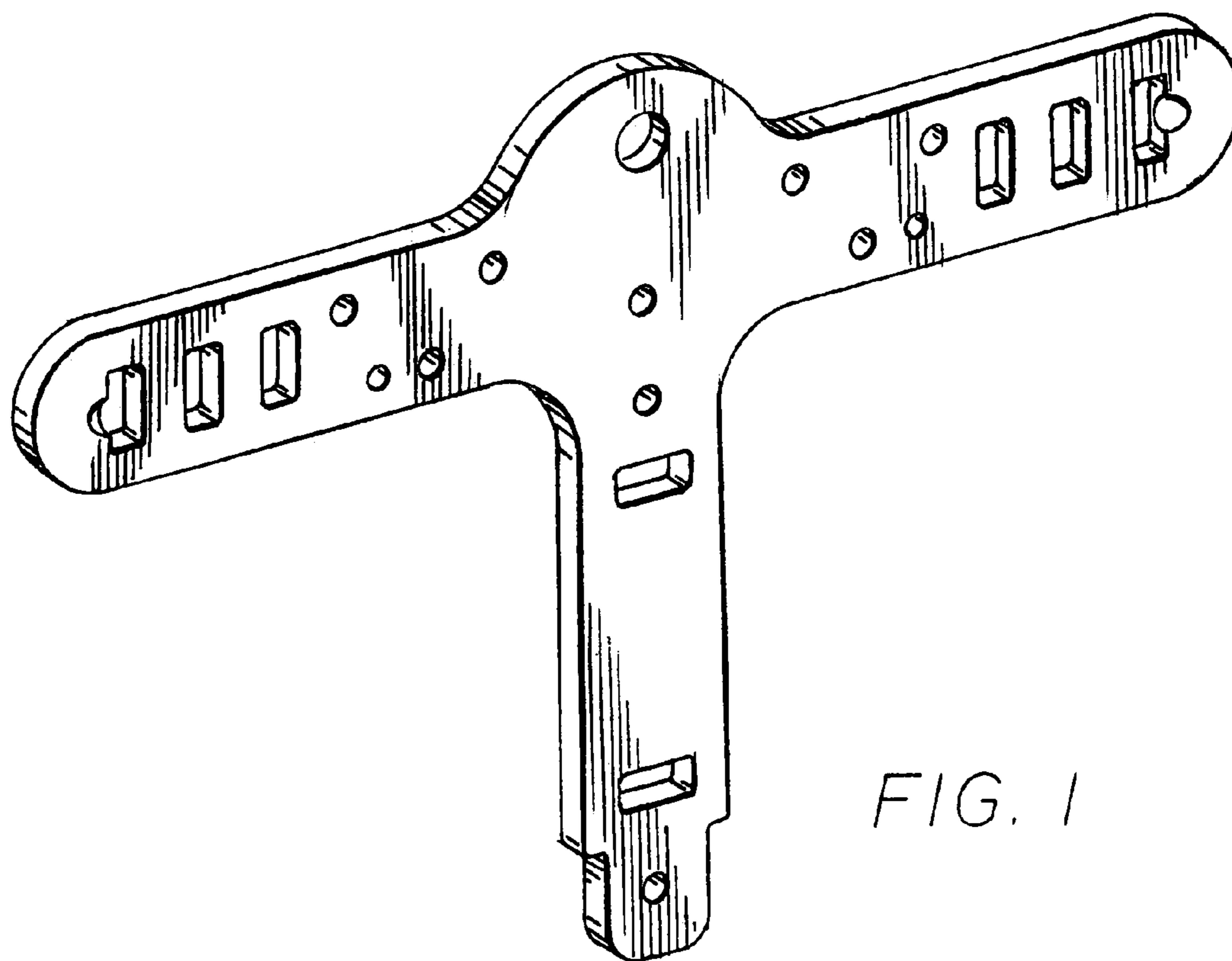


FIG. 1



FIG. 2

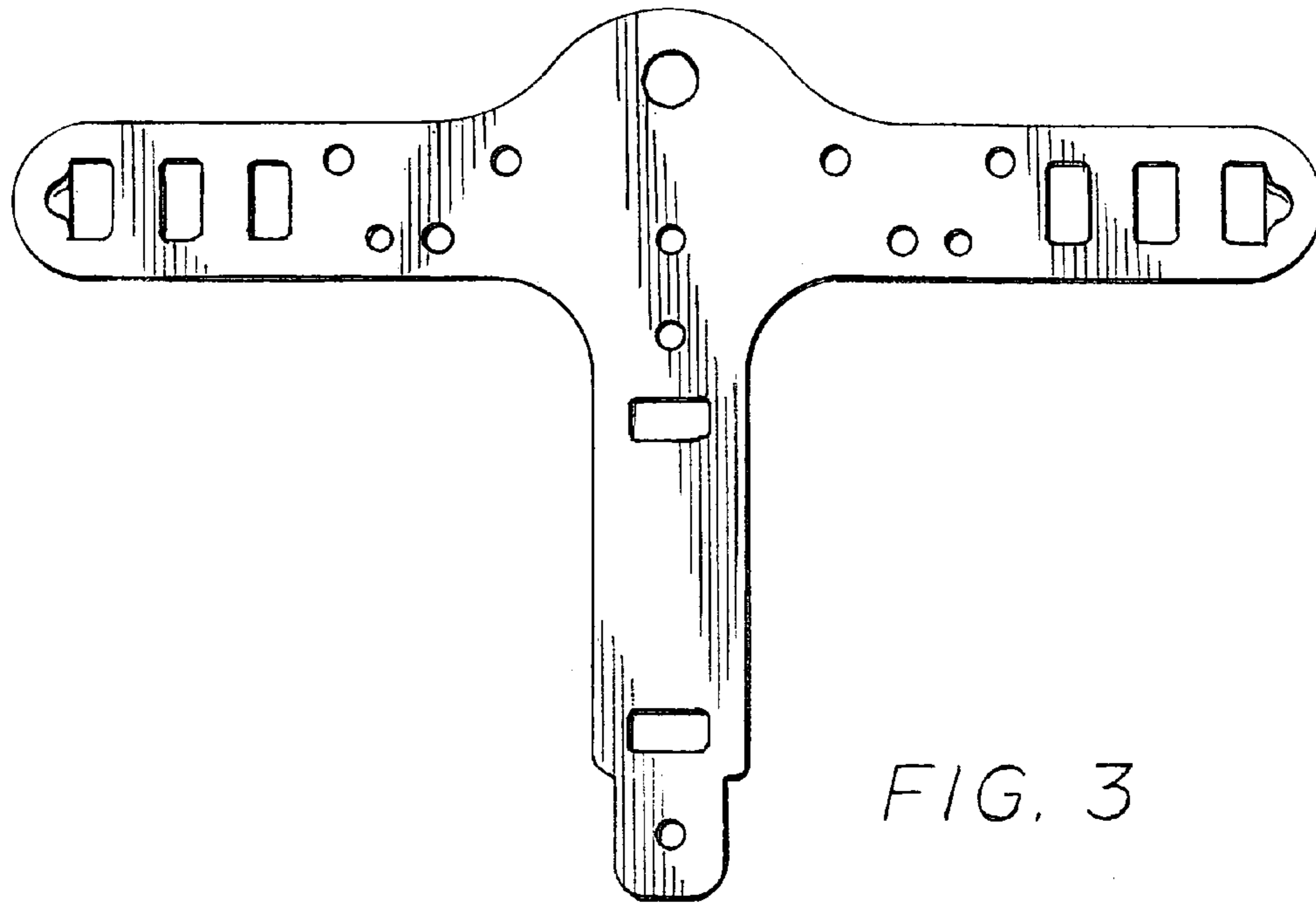


FIG. 3

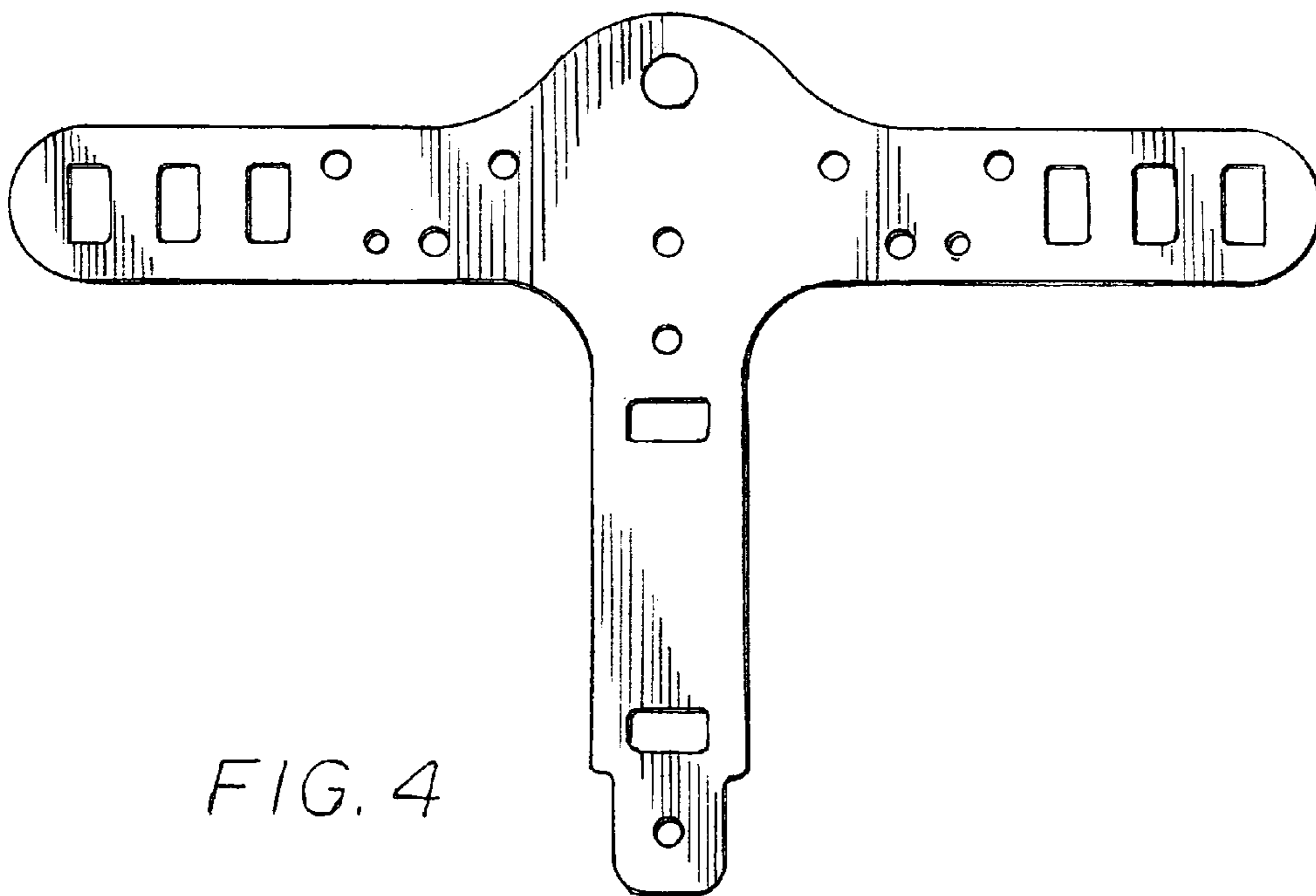


FIG. 4

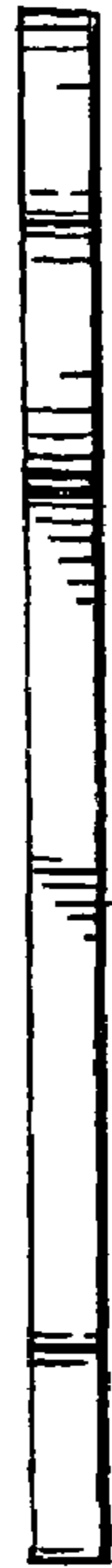


FIG. 5



FIG. 6



FIG. 7