



US00D578520S

(12) **United States Design Patent**
Miyoshi

(10) **Patent No.:** **US D578,520 S**
(45) **Date of Patent:** **** Oct. 14, 2008**

(54) **ANTENNA**

(75) Inventor: **Akira Miyoshi**, Tokyo (JP)

(73) Assignee: **Mitsumi Electric Co., Ltd**, Tokyo (JP)

(**) Term: **14 Years**

(21) Appl. No.: **29/283,951**

(22) Filed: **Aug. 28, 2007**

(30) **Foreign Application Priority Data**

Mar. 28, 2007 (JP) 2007-007837

(51) **LOC (8) Cl.** **14-03**

(52) **U.S. Cl.** **D14/230**

(58) **Field of Classification Search** D14/138,
D14/230-238, 299, 358; D12/42, 43; 343/700 MS,
343/700 R-705, 711-713, 741, 748, 767,
343/795, 819, 840, 846, 866, 871-908; 455/90.2,
455/90.3, 91, 128, 269, 344, 347, 562.1
See application file for complete search history.

(56) **References Cited**

U.S. PATENT DOCUMENTS

D356,787 S * 3/1995 Miyazaki D14/480
D408,808 S * 4/1999 Nowell et al. D14/478
6,054,961 A * 4/2000 Gong et al. 343/713
D488,817 S * 4/2004 Wadsworth et al. D14/478
6,774,850 B2 * 8/2004 Chen 343/700 MS

7,339,531 B2 * 3/2008 Desclos et al. 343/702
7,342,552 B2 * 3/2008 Harano 343/833
2006/0001579 A1 * 1/2006 Noro et al. 343/702

* cited by examiner

Primary Examiner—Robert M. Spear

Assistant Examiner—John Windmuller

(74) *Attorney, Agent, or Firm*—Sughrue Mion, PLLC

(57) **CLAIM**

The ornamental design for an antenna, as shown and described.

DESCRIPTION

FIG. 1 is a perspective view of the top, front and right side of an antenna showing my new design;

FIG. 2 is a front elevational view thereof;

FIG. 3 is a rear elevational view thereof;

FIG. 4 is a right side elevational view thereof;

FIG. 5 is a left side elevational view thereof;

FIG. 6 is a top plan view thereof;

FIG. 7 is a bottom plan view thereof; and,

FIG. 8 is a perspective view of the bottom, rear and left side thereof.

The portions shown in broken lines are for illustrative purposes only and form no part of the claimed design.

1 Claim, 6 Drawing Sheets

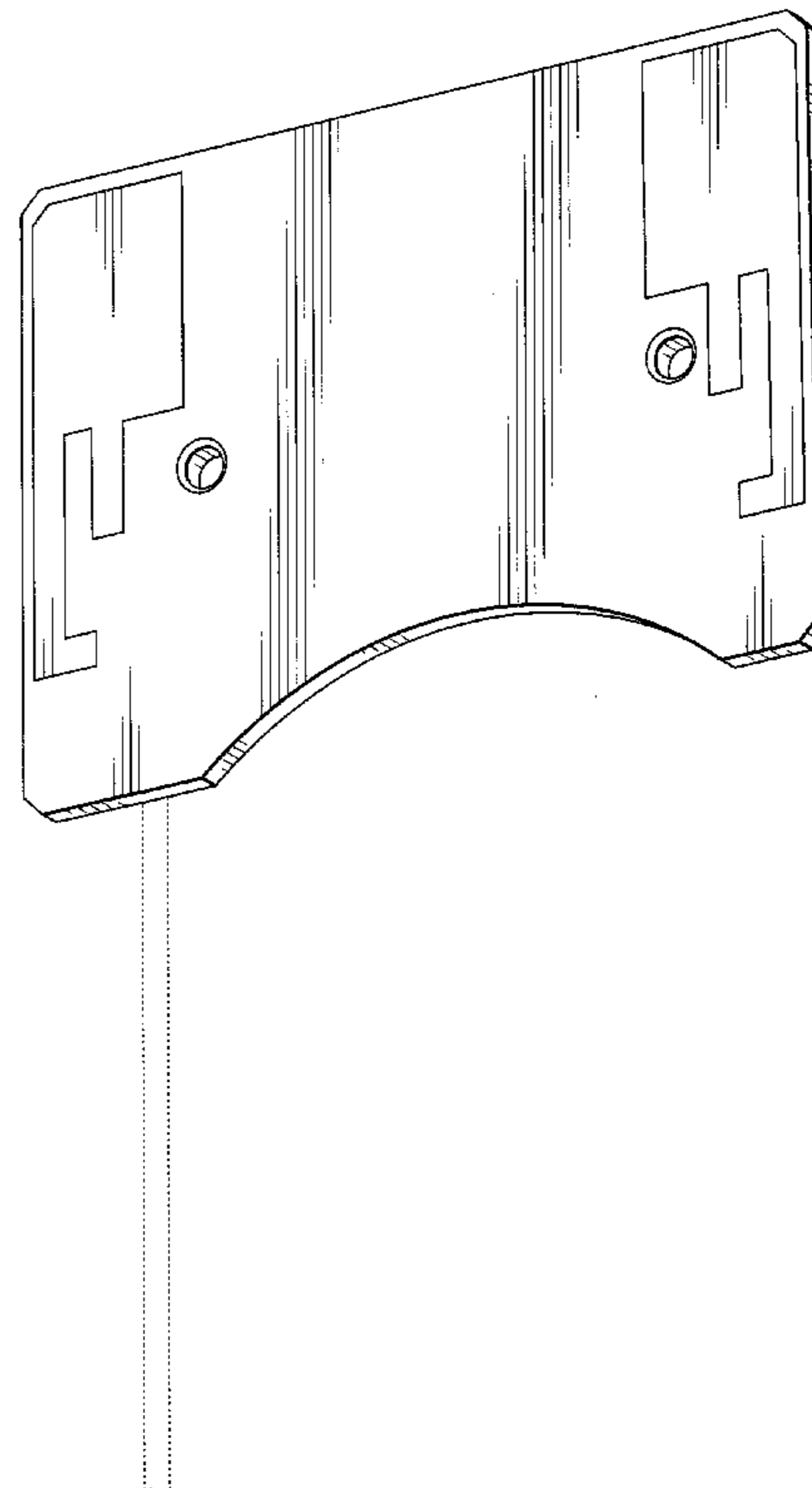
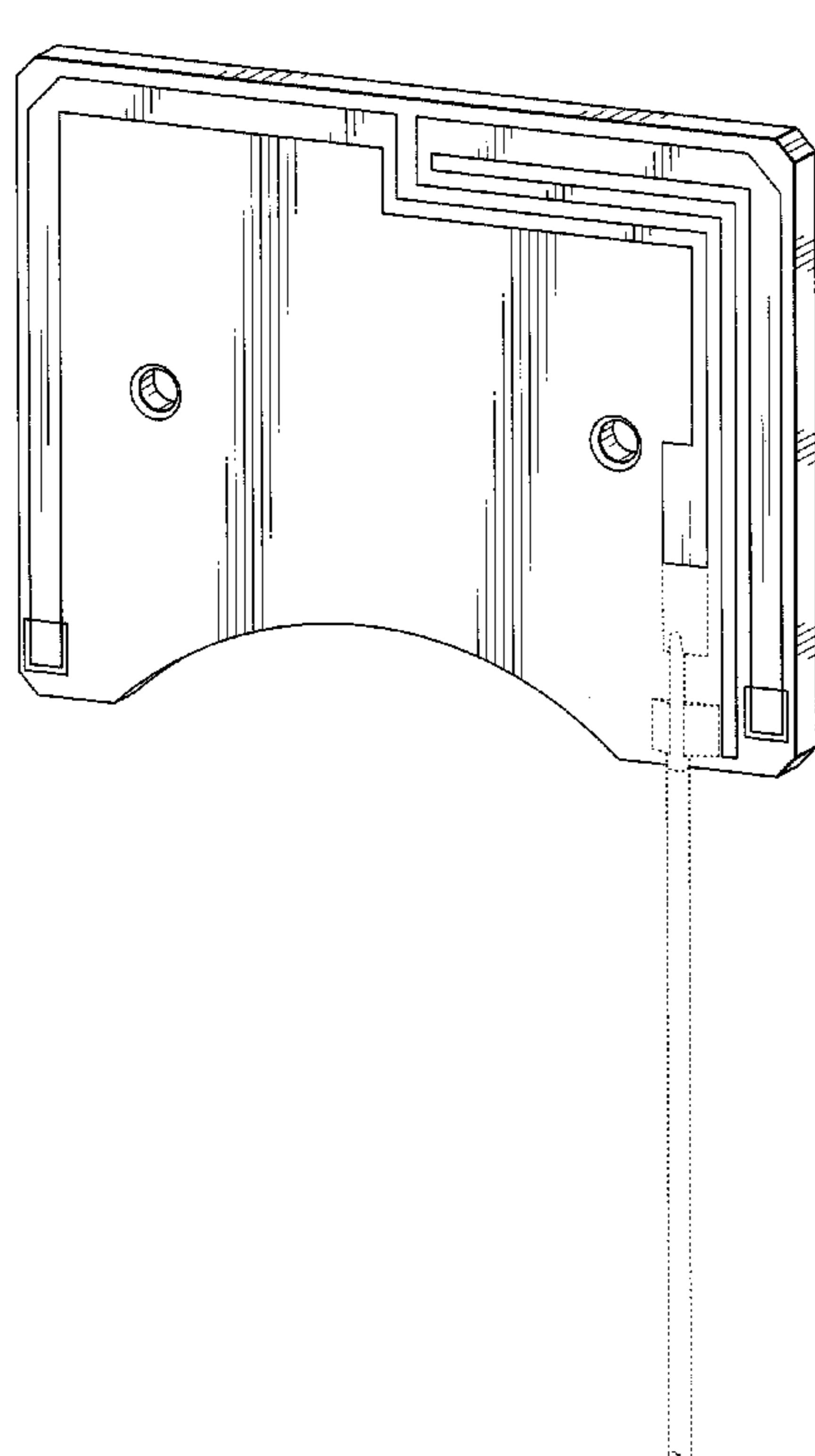


FIG. 1

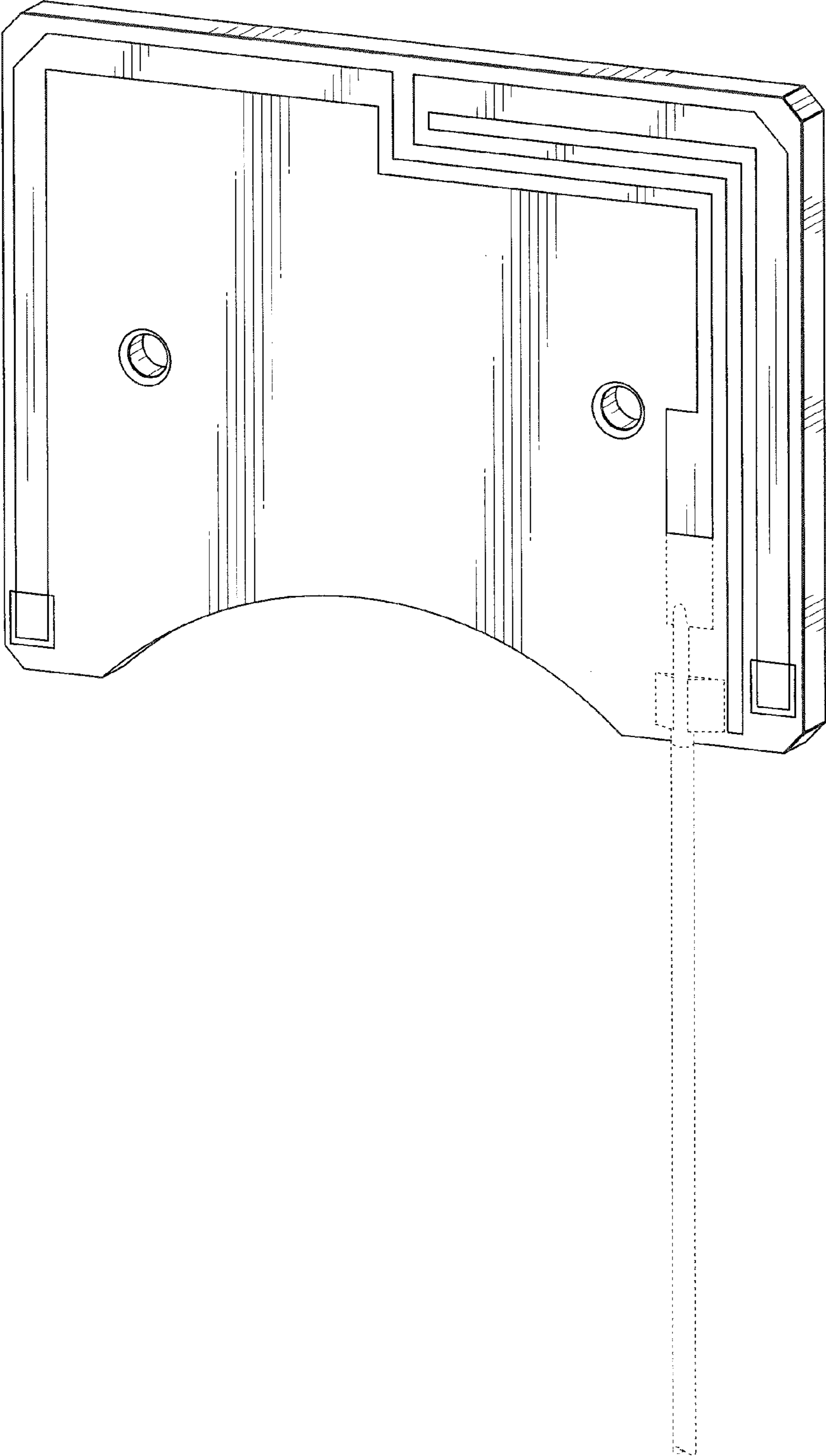


FIG.2

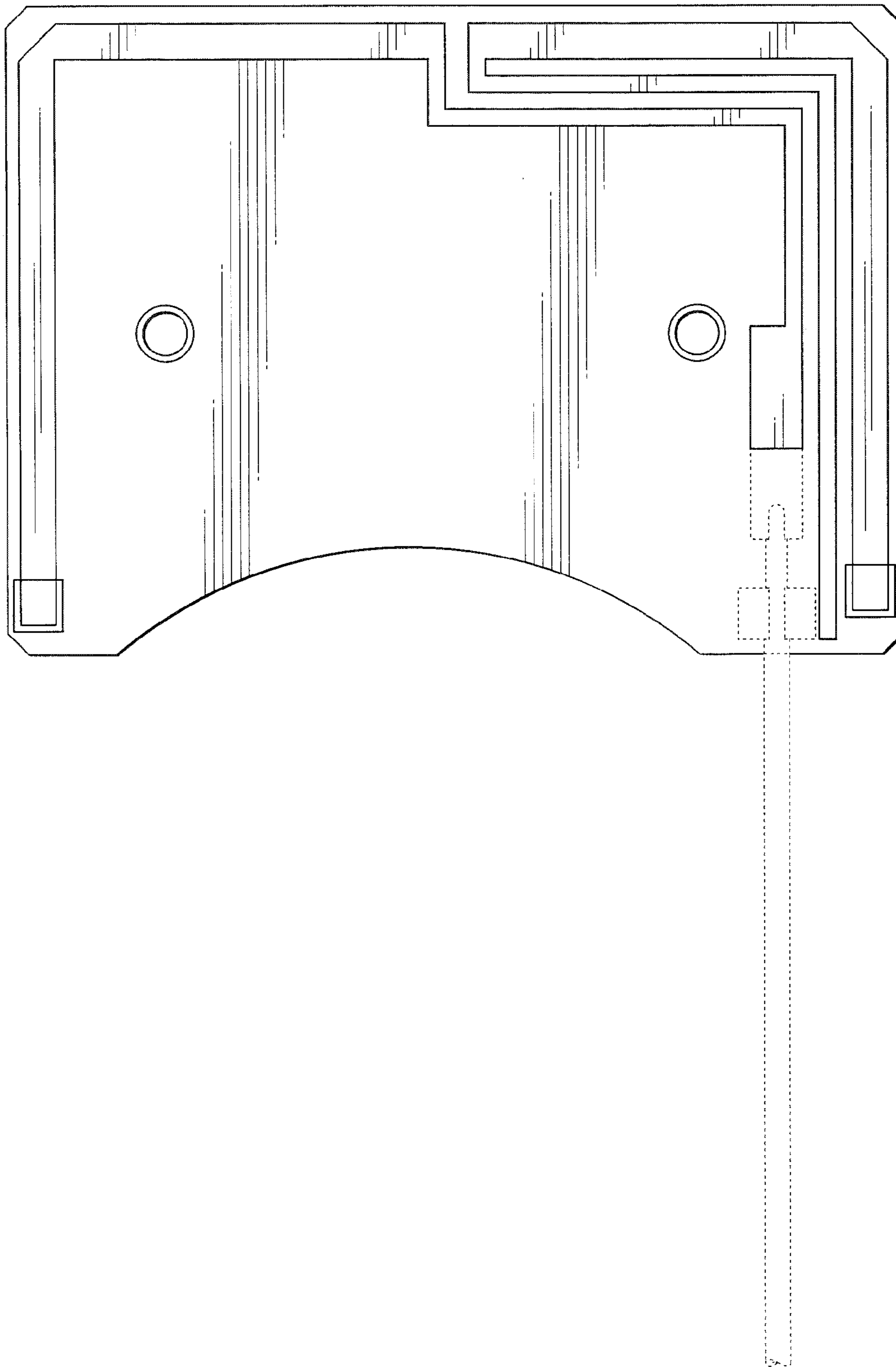


FIG.3

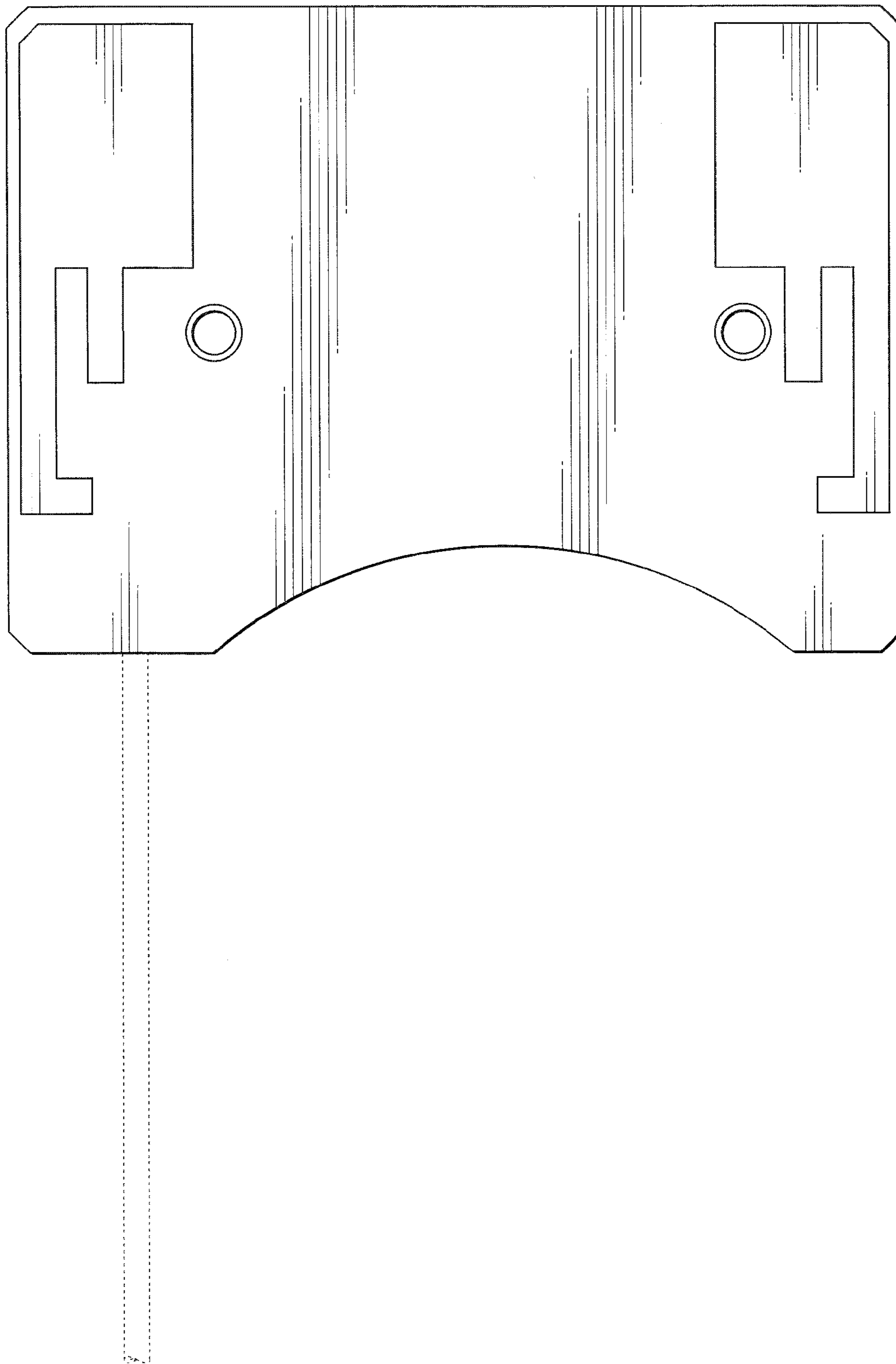


FIG.5

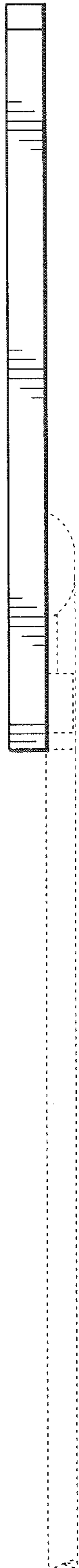


FIG.4

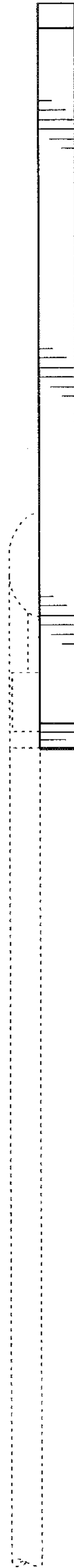


FIG.6

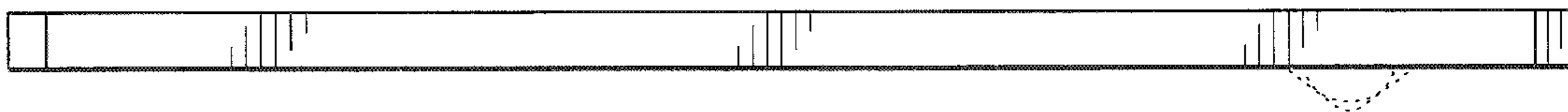


FIG.7



FIG.8

