



US00D578516S

(12) **United States Design Patent**  
**Christopher**

(10) **Patent No.:** **US D578,516 S**  
(45) **Date of Patent:** **\*\* Oct. 14, 2008**

(54) **HEADSET FOR A RADIO COMMUNICATION DEVICE**

(76) Inventor: **Stephen M. Christopher**, 2056 N. Halsted St., Apt. 2R, Chicago, IL (US) 60614

(\*\*) Term: **14 Years**

(21) Appl. No.: **29/248,730**

(22) Filed: **Aug. 30, 2006**

**Related U.S. Application Data**

(63) Continuation-in-part of application No. 29/247,999, filed on Jul. 25, 2006, now Pat. No. Des. 554,626.

(51) **LOC (8) Cl.** ..... **14-01**

(52) **U.S. Cl.** ..... **D14/223**

(58) **Field of Classification Search** ..... D14/188, D14/192, 205–206, 223; D24/174; 379/430, 379/446; 381/381, 374, 376, 377, 378, 330; 181/129–130

See application file for complete search history.

(56) **References Cited**

**U.S. PATENT DOCUMENTS**

2,474,135 A \* 6/1949 White ..... 381/381  
D508,485 S \* 8/2005 Katsumata ..... D14/223  
D512,991 S \* 12/2005 Yano ..... D14/223  
D520,497 S \* 5/2006 Yang ..... D14/223

D533,540 S \* 12/2006 Murray ..... D14/205  
D550,215 S \* 9/2007 Udagawa et al. .... D14/223  
D550,658 S \* 9/2007 Wang ..... D14/223  
D554,626 S \* 11/2007 Christopher ..... D14/223

\* cited by examiner

*Primary Examiner*—Paula A Greene

(74) *Attorney, Agent, or Firm*—David S. Noskowitz

(57) **CLAIM**

The ornamental headset for a radio communication device.

**DESCRIPTION**

FIG. 1 is a perspective view of an ornamental headset for a radio communication device.

FIG. 2 is a front view thereof.

FIG. 3 is a rear view thereof.

FIG. 4 is a first side view thereof.

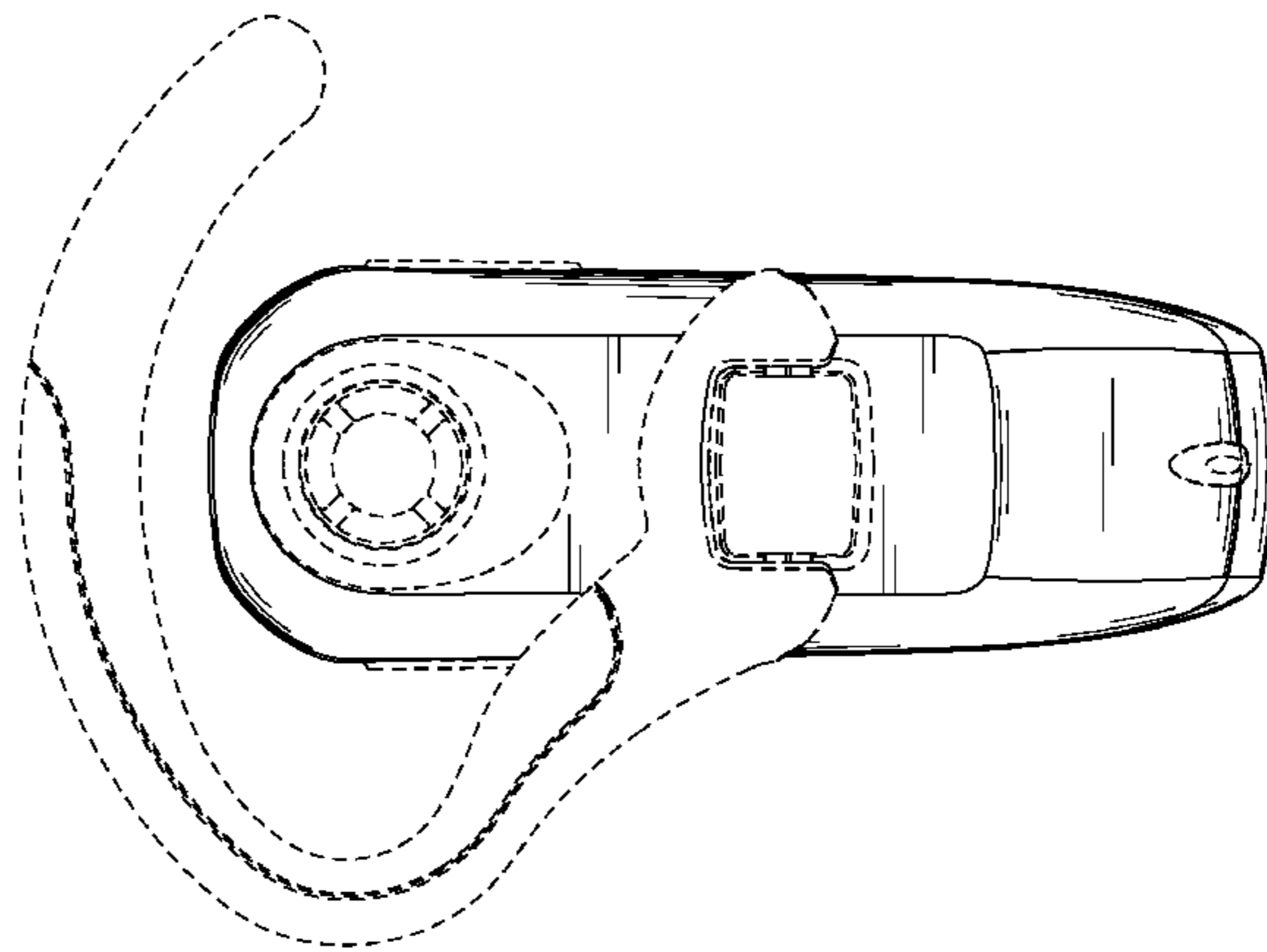
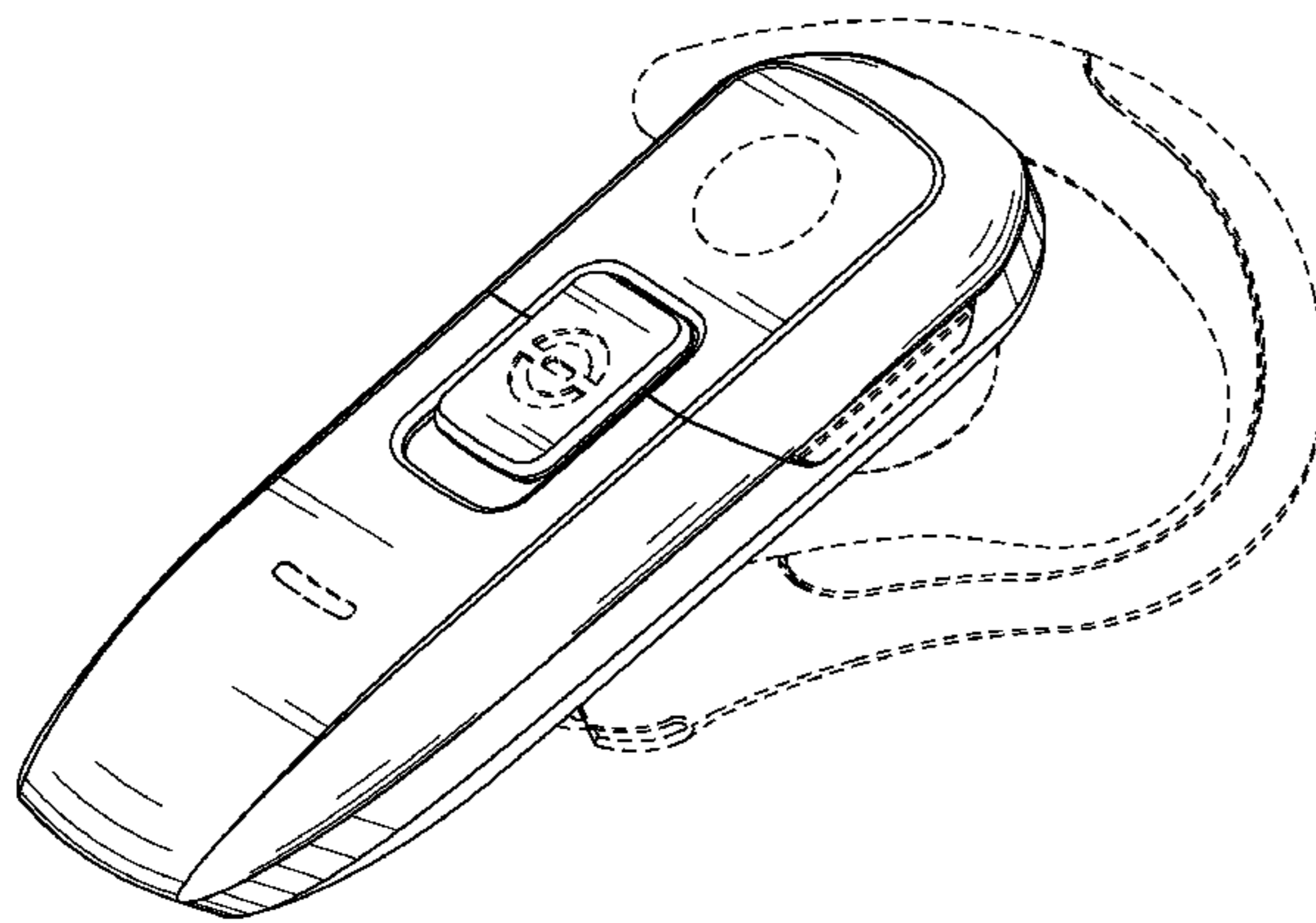
FIG. 5 is a second side view thereof.

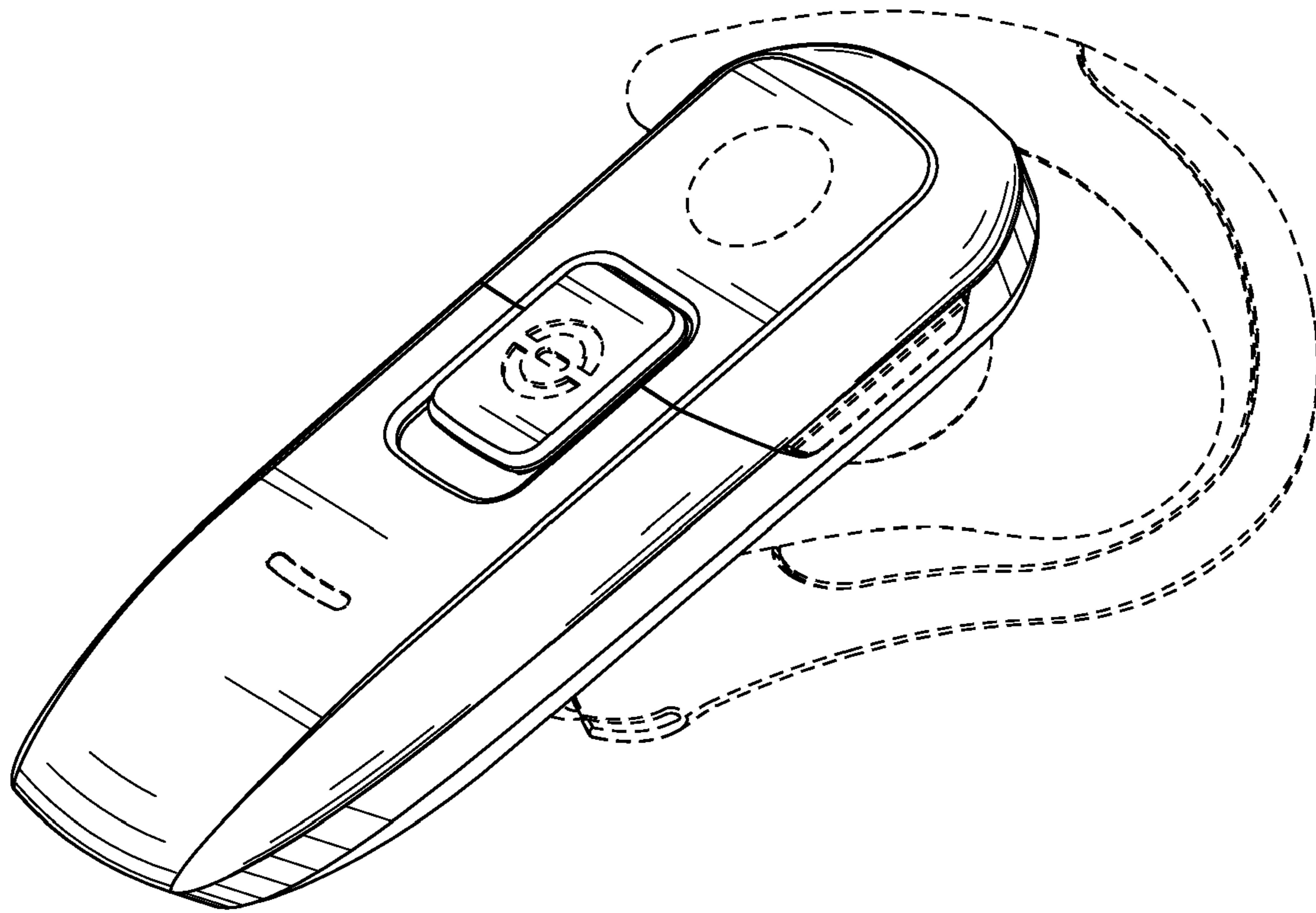
FIG. 6 is a top view thereof; and,

FIG. 7 is a bottom view thereof.

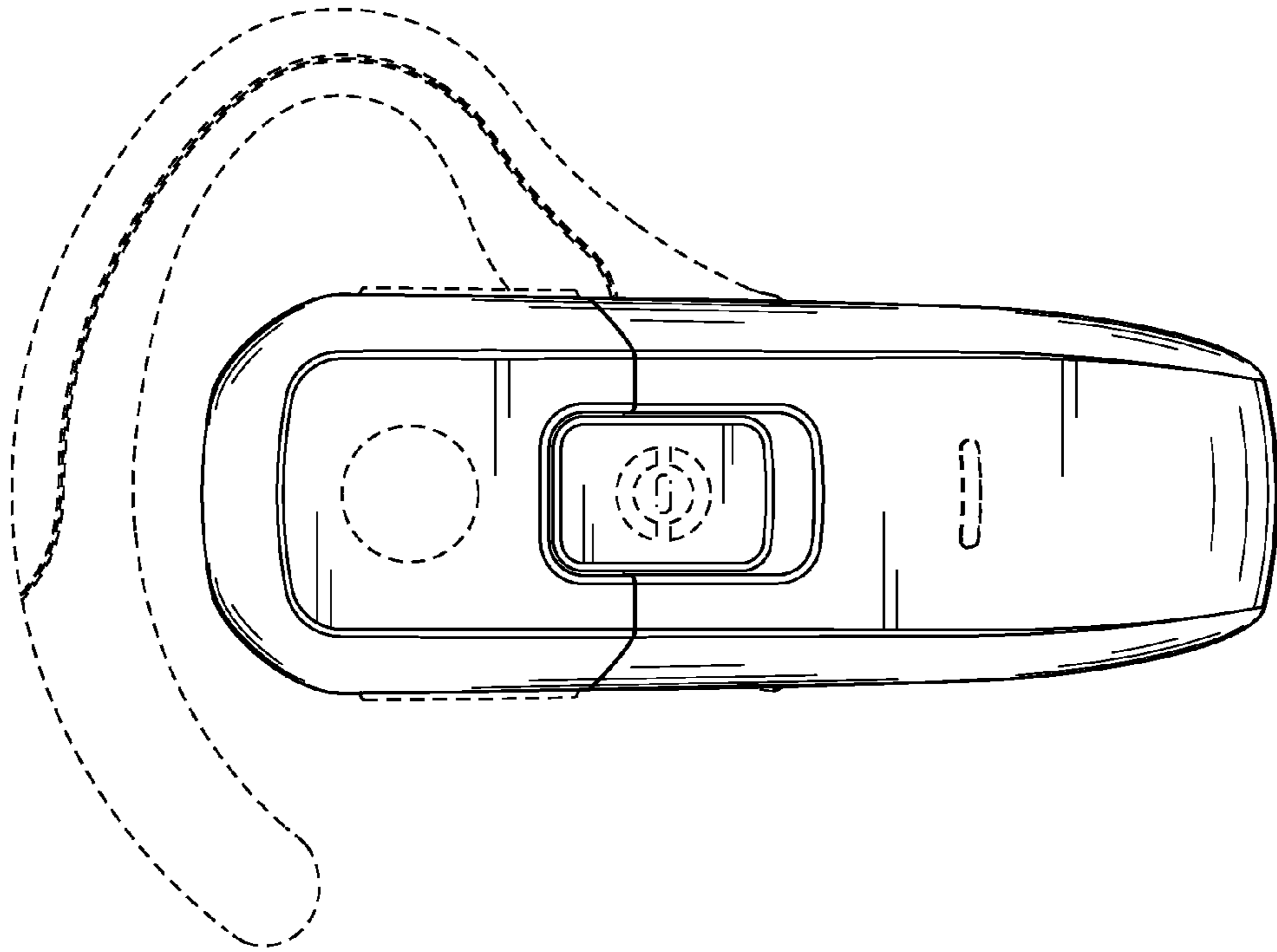
The broken lines shown in FIGS. 1–7 that are immediately adjacent to the shaded areas represent the bound of the claimed design, while all other broken lines are directed to environment and are for illustrative purposes only; the broken lines form no part of the claim design.

**1 Claim, 4 Drawing Sheets**

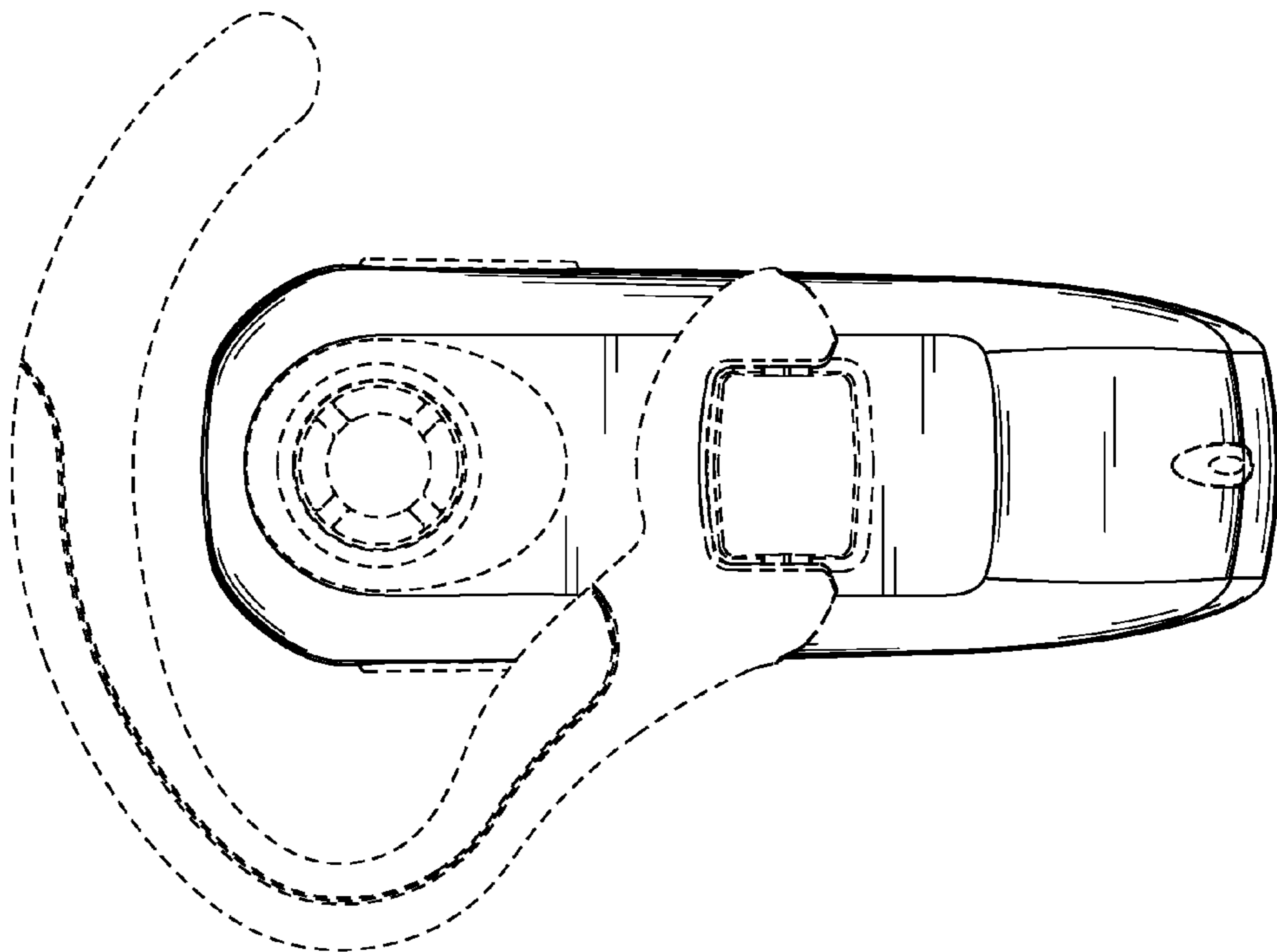




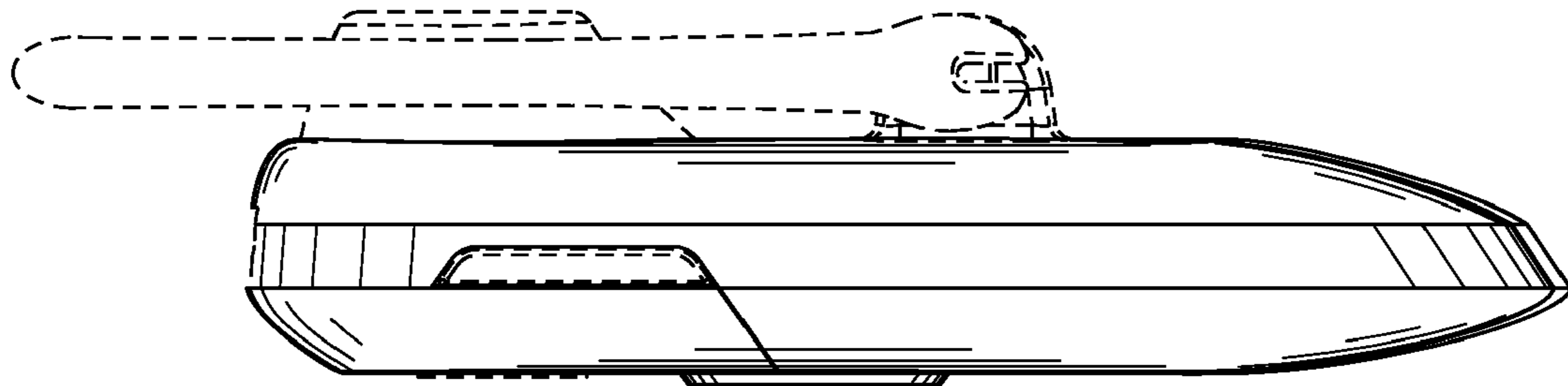
*FIG. 1*



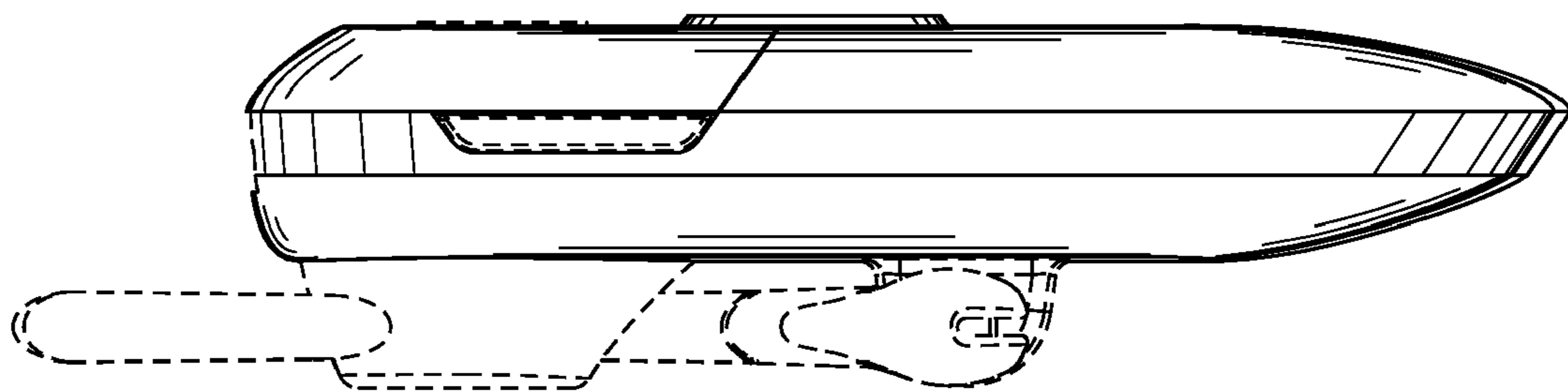
*FIG. 2*



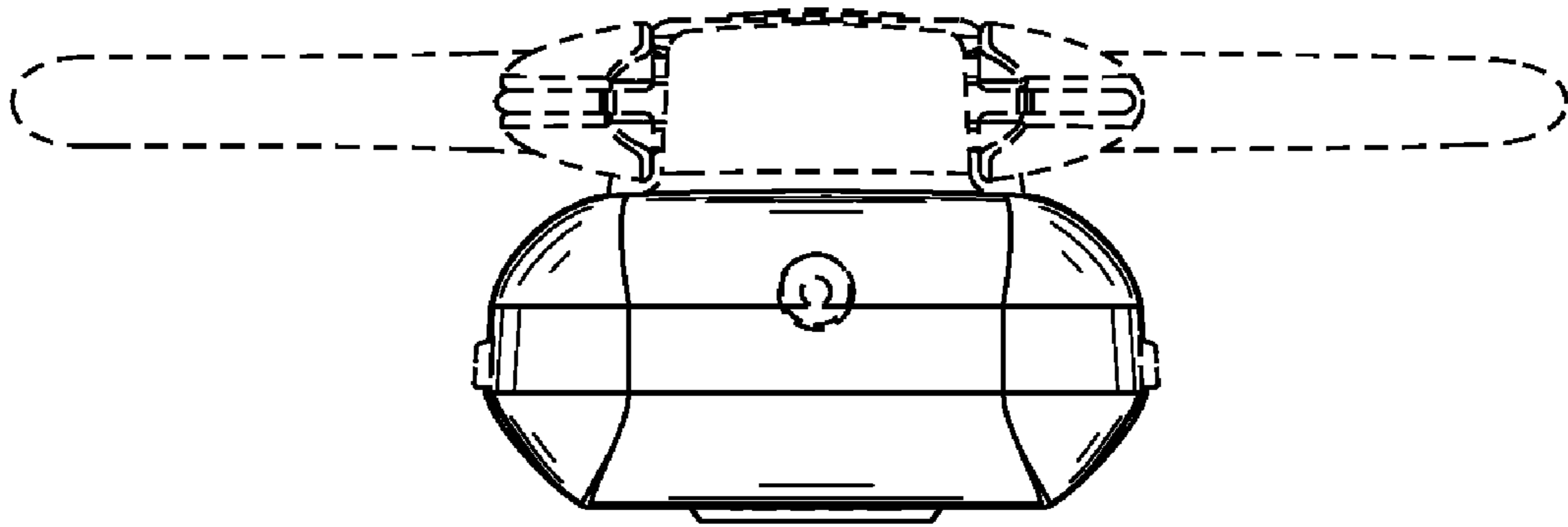
*FIG. 3*



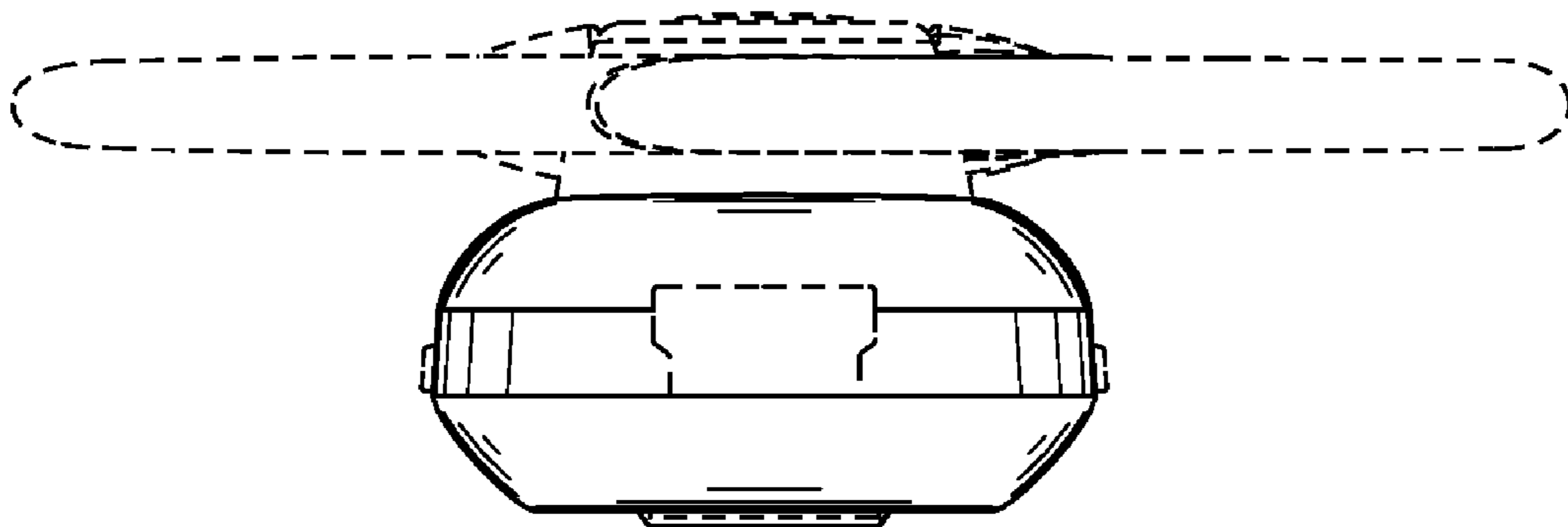
*FIG. 4*



*FIG. 5*



*FIG. 6*



*FIG. 7*