



US00D578514S

(12) **United States Design Patent**  
**Mazur**

(10) **Patent No.:** **US D578,514 S**

(45) **Date of Patent:** **\*\* Oct. 14, 2008**

(54) **MIXER DECK**

(75) Inventor: **James Mazur**, Ft. Lauderdale, FL (US)

(73) Assignee: **Stanton Magnetics Inc.**, Hollywood, FL (US)

(\*\*) Term: **14 Years**

(21) Appl. No.: **29/294,472**

(22) Filed: **Jan. 11, 2008**

(51) **LOC (8) Cl.** ..... **14-01**

(52) **U.S. Cl.** ..... **D14/217; D14/168**

(58) **Field of Classification Search** ..... D14/156,  
D14/162, 167-169, 175, 188, 196-198, 217,  
D14/257, 258, 496; D13/163, 164; 84/625,  
84/660, 697; 381/118-120, 334; 455/247,  
455/350

See application file for complete search history.

(56) **References Cited**

**U.S. PATENT DOCUMENTS**

D417,450 S	*	12/1999	Kurachi et al.	.....	D14/168
D436,347 S	*	1/2001	Ito et al.	.....	D13/164
D454,552 S	*	3/2002	Nakane	.....	D14/168
D491,915 S	*	6/2004	Warden	.....	D14/203
D496,922 S	*	10/2004	Kimura	.....	D14/156
D500,307 S	*	12/2004	Ishizaki	.....	D14/217
D505,667 S	*	5/2005	Okada	.....	D14/168

D512,409 S	*	12/2005	Ishizaki	.....	D14/168
D512,706 S	*	12/2005	Nakane et al.	.....	D14/168
D518,022 S	*	3/2006	Ishizaki	.....	D14/168
D518,814 S	*	4/2006	Shim et al.	.....	D14/168
D553,118 S	*	10/2007	Williamson et al.	.....	D14/168

\* cited by examiner

*Primary Examiner*—Prabhakar Deshmukh

*Assistant Examiner*—Keli L Acker

(74) *Attorney, Agent, or Firm*—Day Pitney LLP

(57) **CLAIM**

The ornamental design for mixer deck, as shown and described.

**DESCRIPTION**

FIG. 1 is a top front perspective view of a mixer deck, embodying my new design;

FIG. 2 is a top plan view thereof;

FIG. 3 is a bottom plan view thereof;

FIG. 4 is a front elevation view thereof;

FIG. 5 is a rear elevation view thereof;

FIG. 6 is a right side elevation view thereof; and,

FIG. 7 is a left side elevation view thereof.

The broken lines represent the portions of the design that form no part of the claim.

**1 Claim, 5 Drawing Sheets**

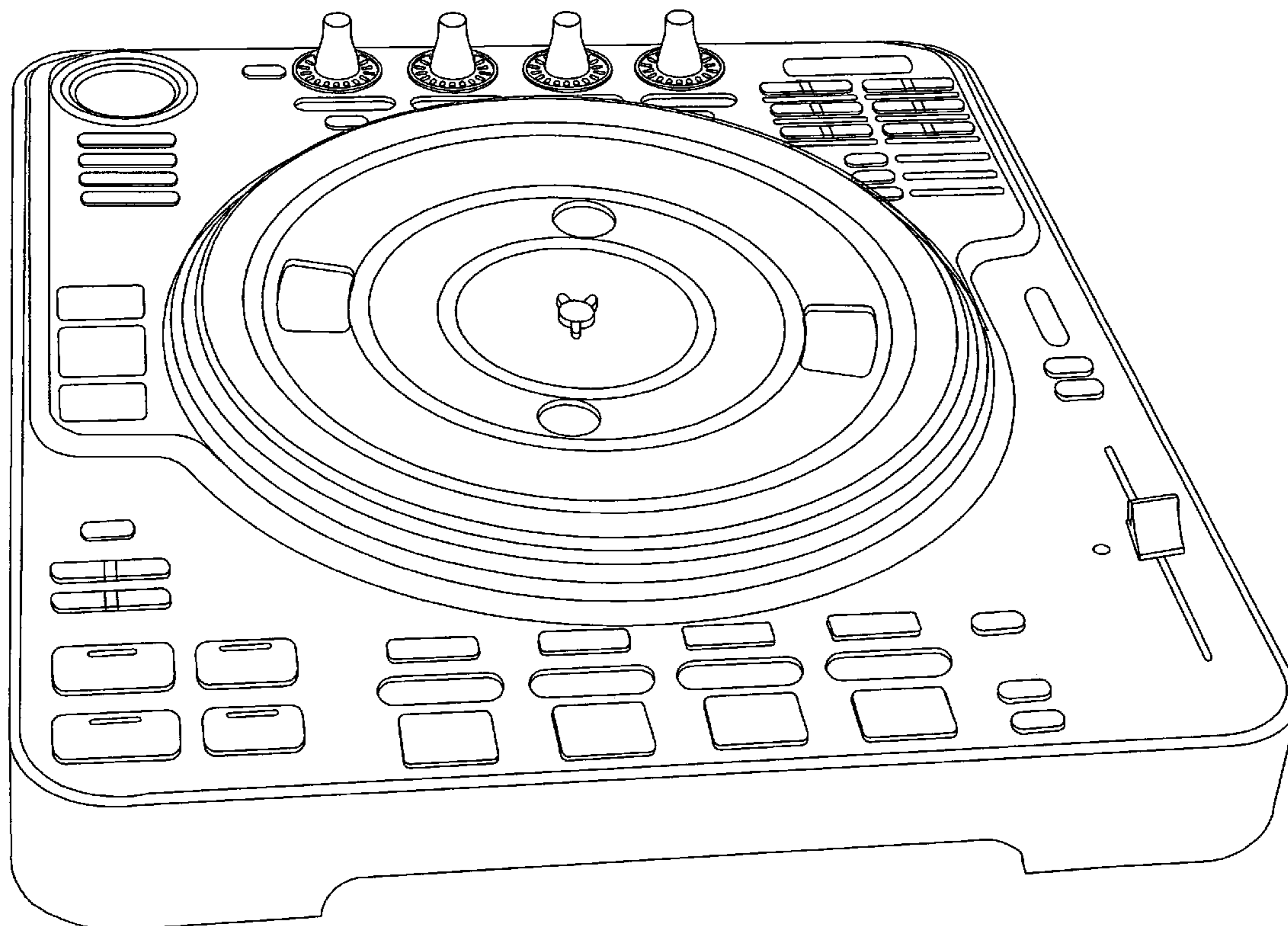
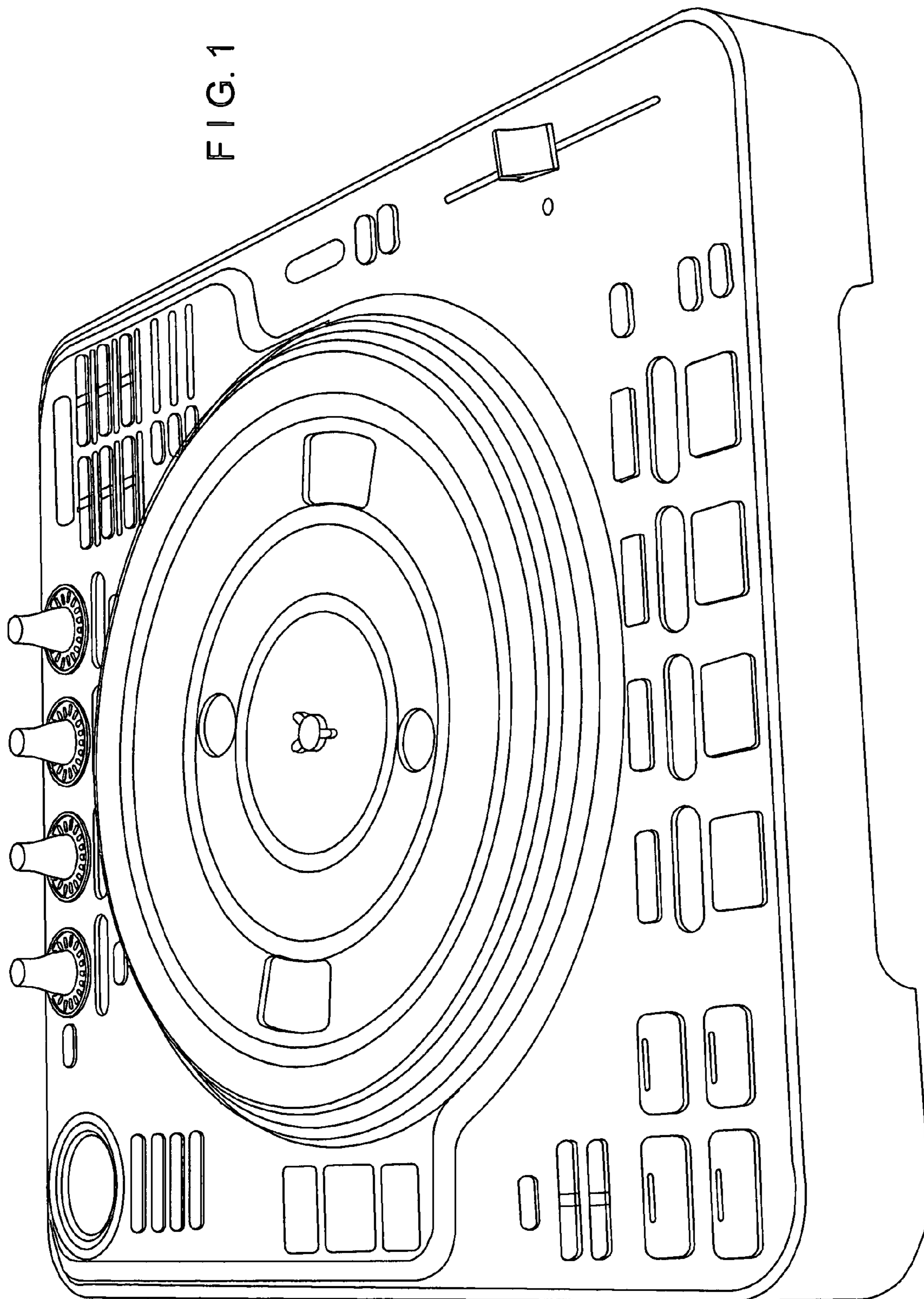


FIG. 1



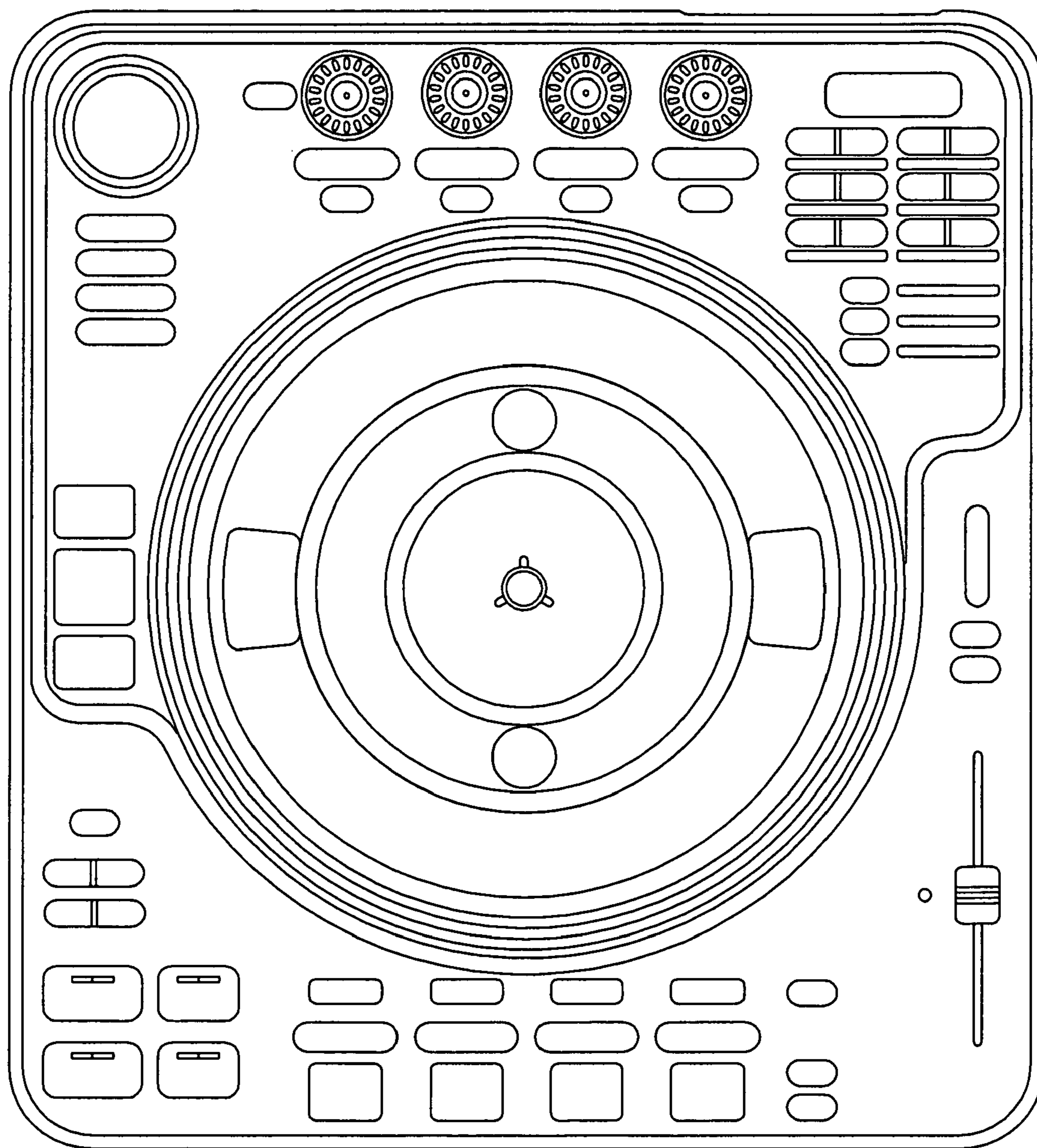


FIG. 2



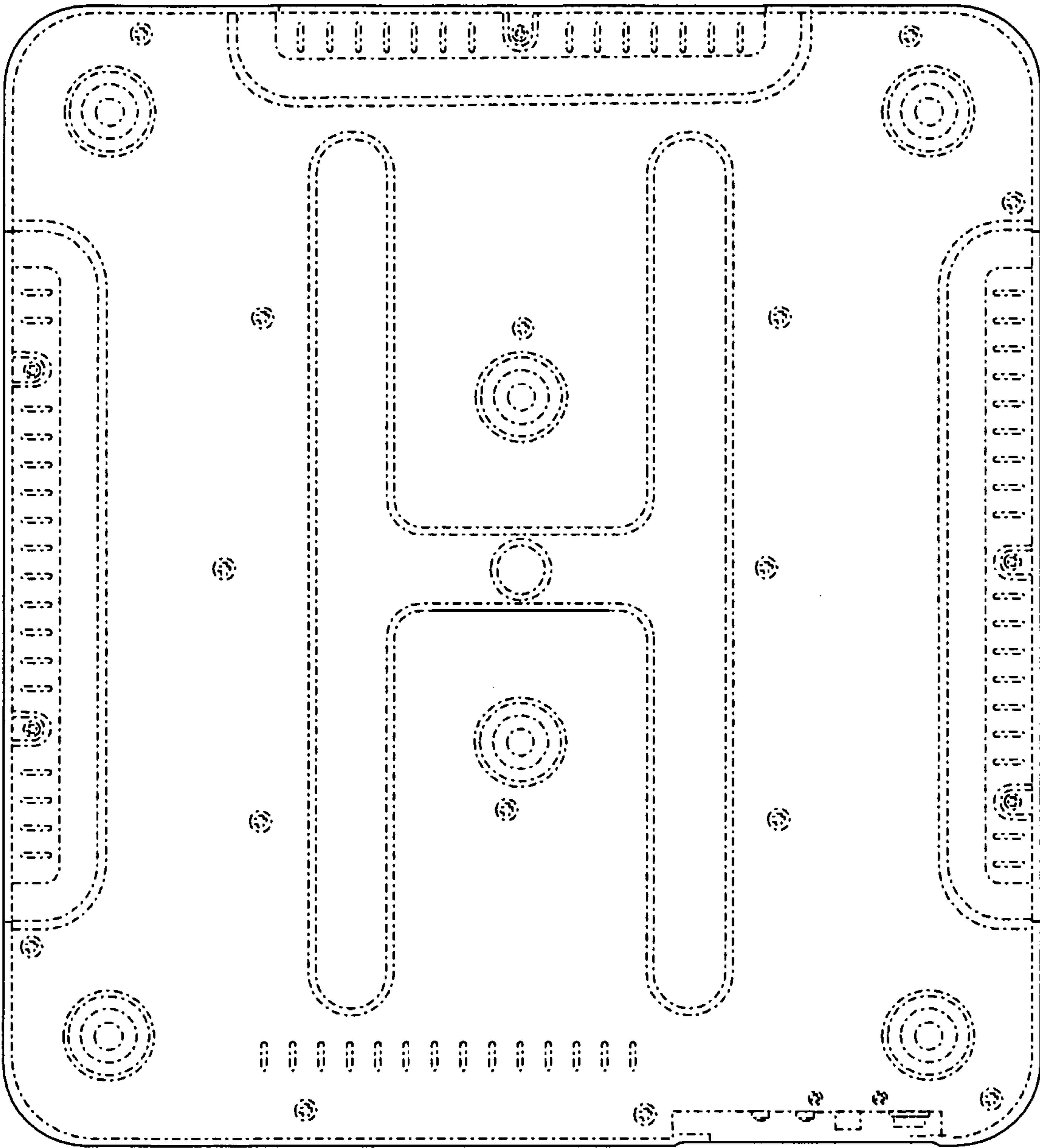


FIG. 3

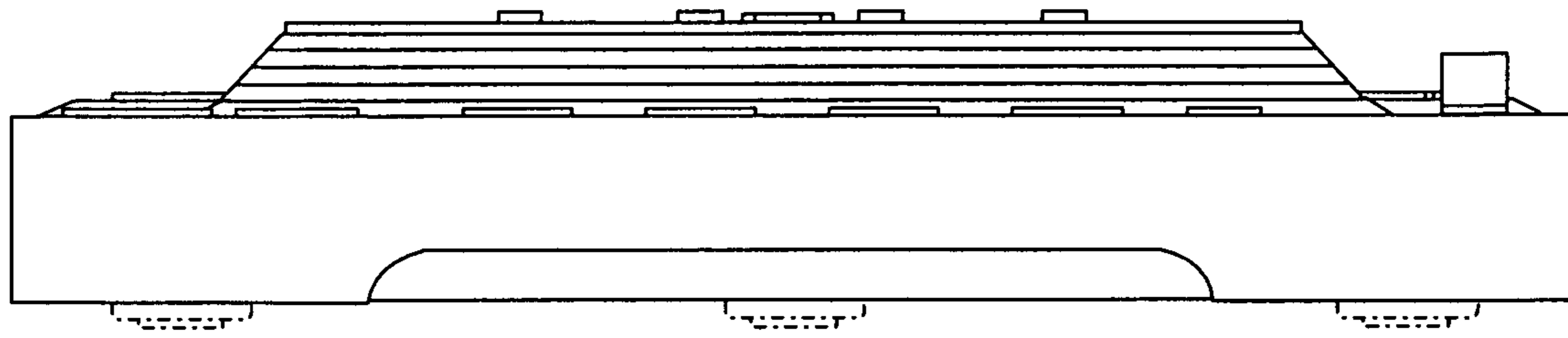


FIG. 4

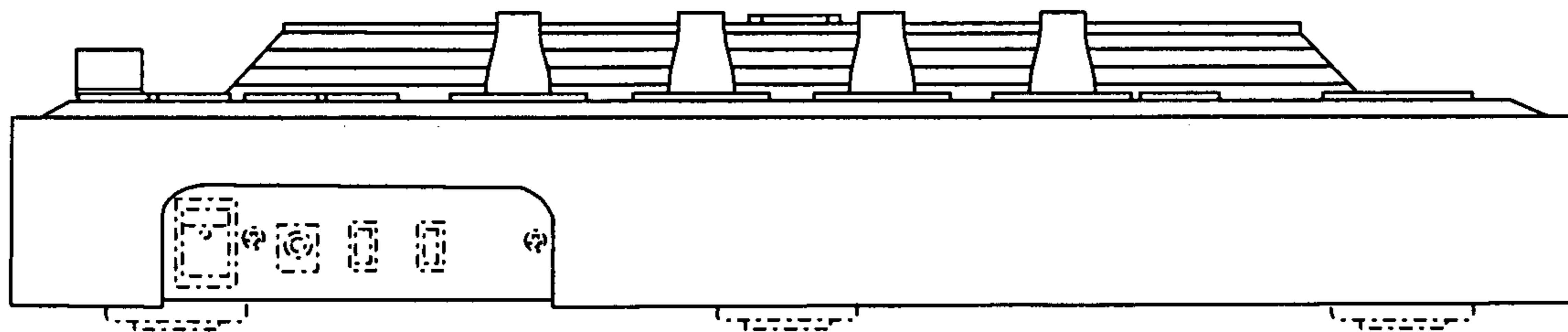


FIG. 5

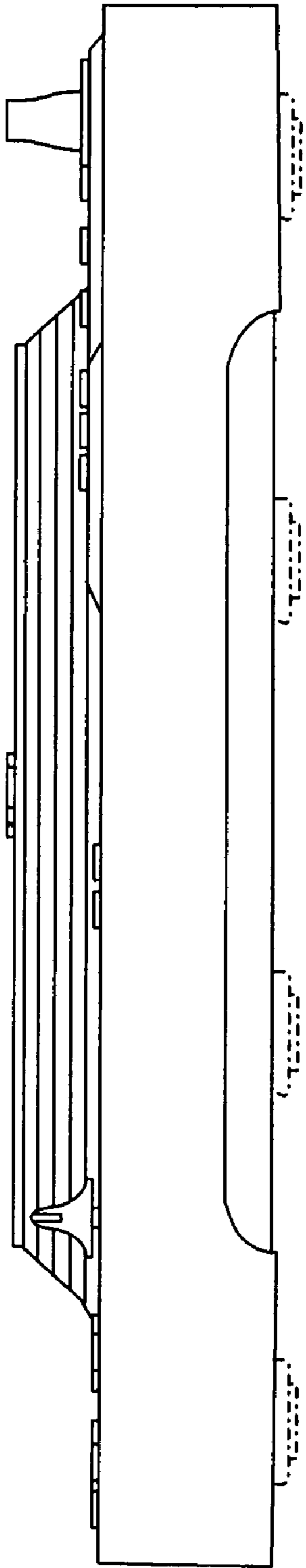


FIG. 6

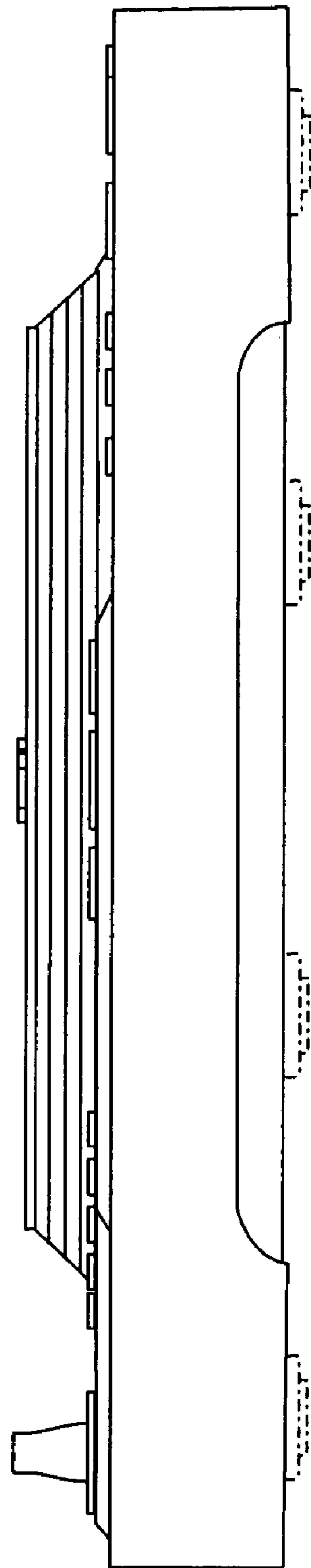


FIG. 7