



US00D578513S

(12) **United States Design Patent**
Mazur

(10) **Patent No.:** **US D578,513 S**

(45) **Date of Patent:** **** Oct. 14, 2008**

(54) **MIXER**

(75) Inventor: **James Mazur**, Ft. Lauderdale, FL (US)

(73) Assignee: **Stanton Magnetics Inc.**, Hollywood, FL (US)

(**) Term: **14 Years**

(21) Appl. No.: **29/294,469**

(22) Filed: **Jan. 11, 2008**

(51) **LOC (8) Cl.** **14-01**

(52) **U.S. Cl.** **D14/217; D14/168**

(58) **Field of Classification Search** D14/156,
D14/162, 167-169, 175, 188, 196-198, 217,
D14/257, 258, 496; D13/163, 164; 84/625,
84/660, 697; 381/118-120, 334; 455/247,
455/350

See application file for complete search history.

(56) **References Cited**

U.S. PATENT DOCUMENTS

D367,052 S *	2/1996	Ito et al.	D14/162
D384,356 S *	9/1997	Ito et al.	D14/217
D424,056 S *	5/2000	Ito et al.	D14/162
D436,347 S *	1/2001	Ito et al.	D13/164
D477,589 S *	7/2003	Takita et al.	D14/217

D501,462 S *	2/2005	Takahashi	D14/217
D511,767 S *	11/2005	Ishizaki et al.	D14/217
D555,637 S *	11/2007	Ishizaki et al.	D14/217
D555,638 S *	11/2007	Ishizaki et al.	D14/217

* cited by examiner

Primary Examiner—Prabhakar Deshmukh

Assistant Examiner—Keli L Acker

(74) *Attorney, Agent, or Firm*—Day Pitney LLP

(57) **CLAIM**

The ornamental design for mixer, as shown and described.

DESCRIPTION

FIG. 1 is a top front perspective view of a mixer deck, embodying my new design;

FIG. 2 is a top plan view thereof;

FIG. 3 is a bottom plan view thereof;

FIG. 4 is a front elevation view thereof;

FIG. 5 is a rear elevation view thereof;

FIG. 6 is a right side elevation view thereof; and,

FIG. 7 is a left side elevation view thereof.

The broken lines represent the portions of the design that form no part of the claim.

1 Claim, 5 Drawing Sheets

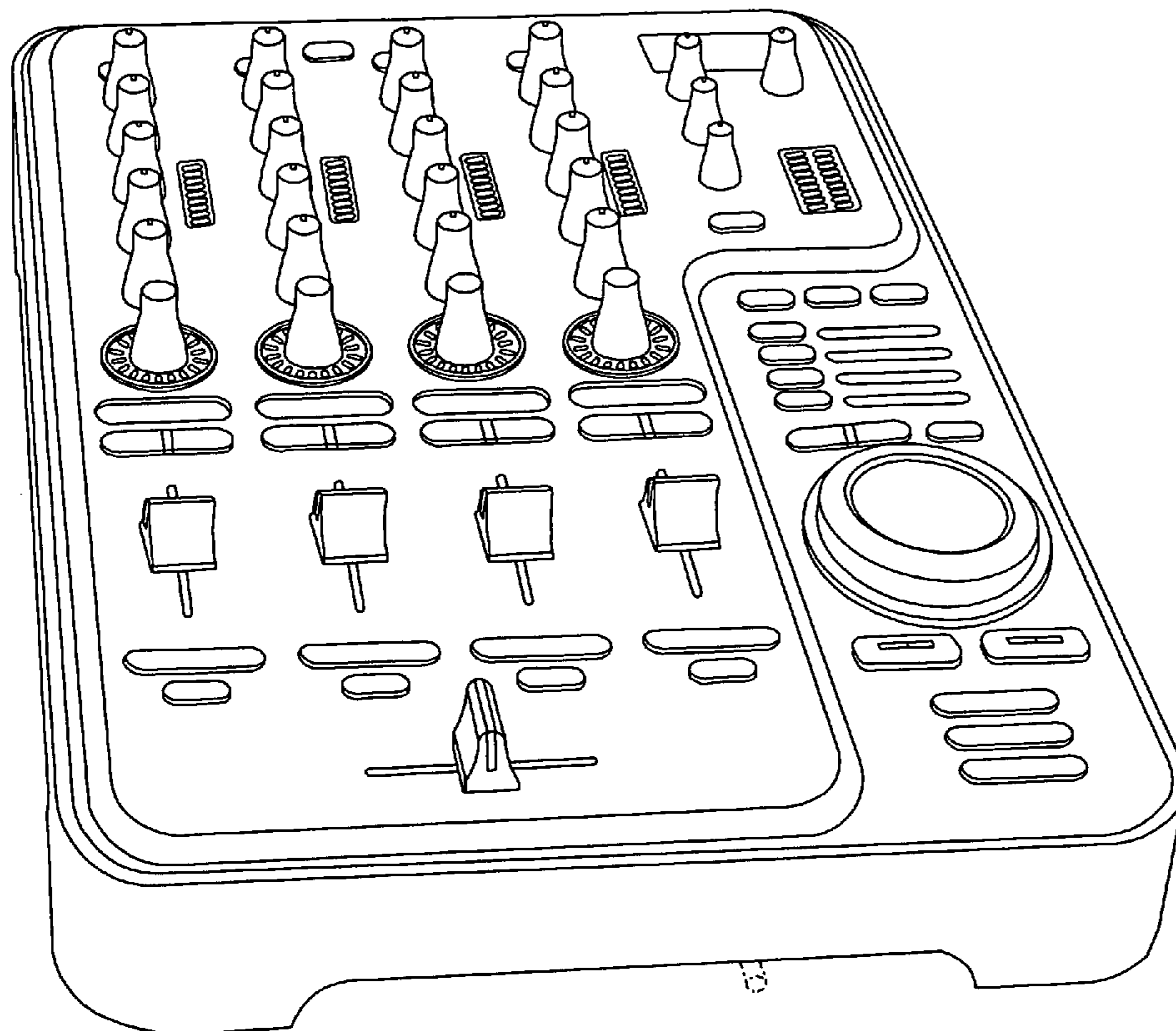
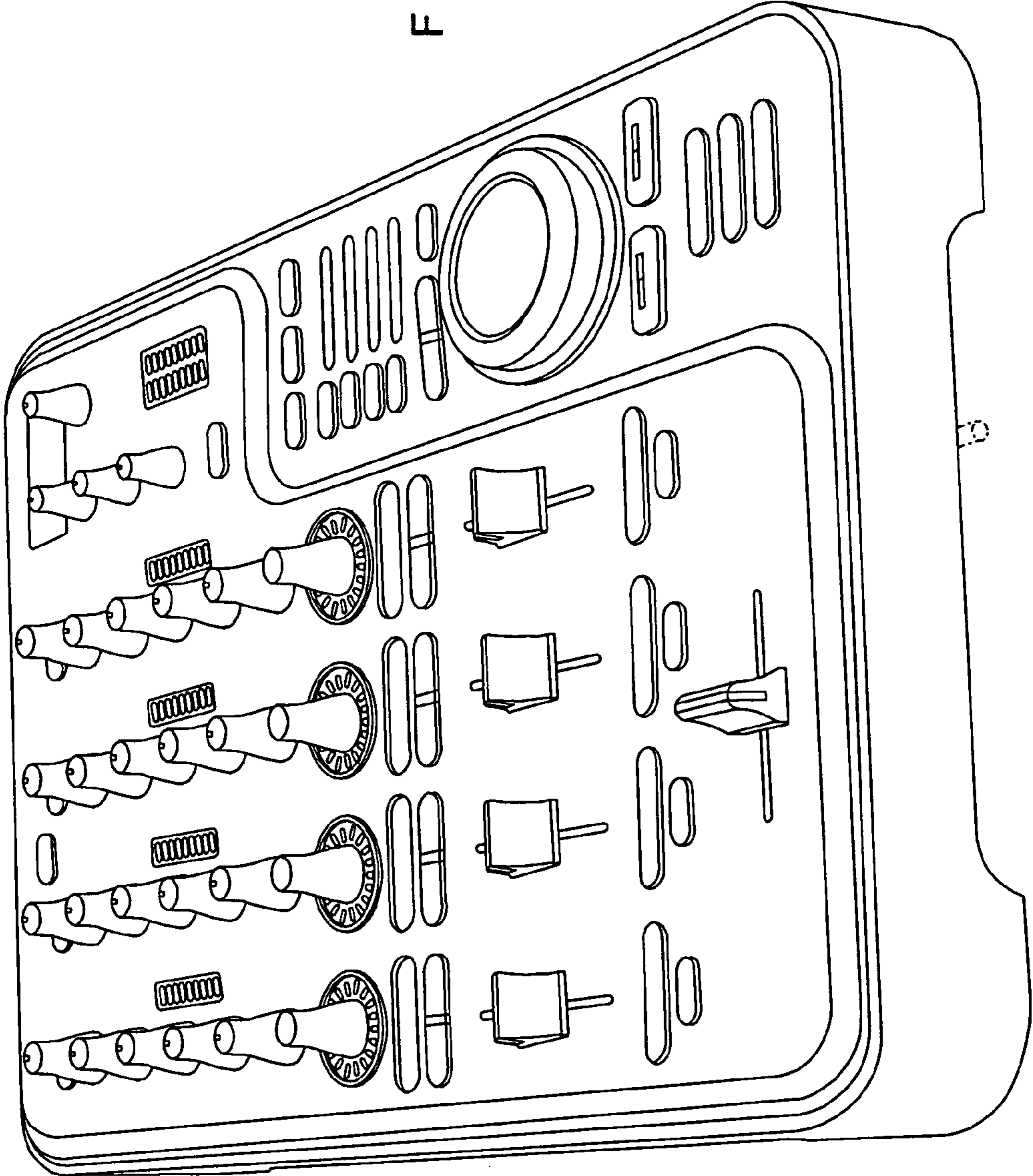


FIG. 1



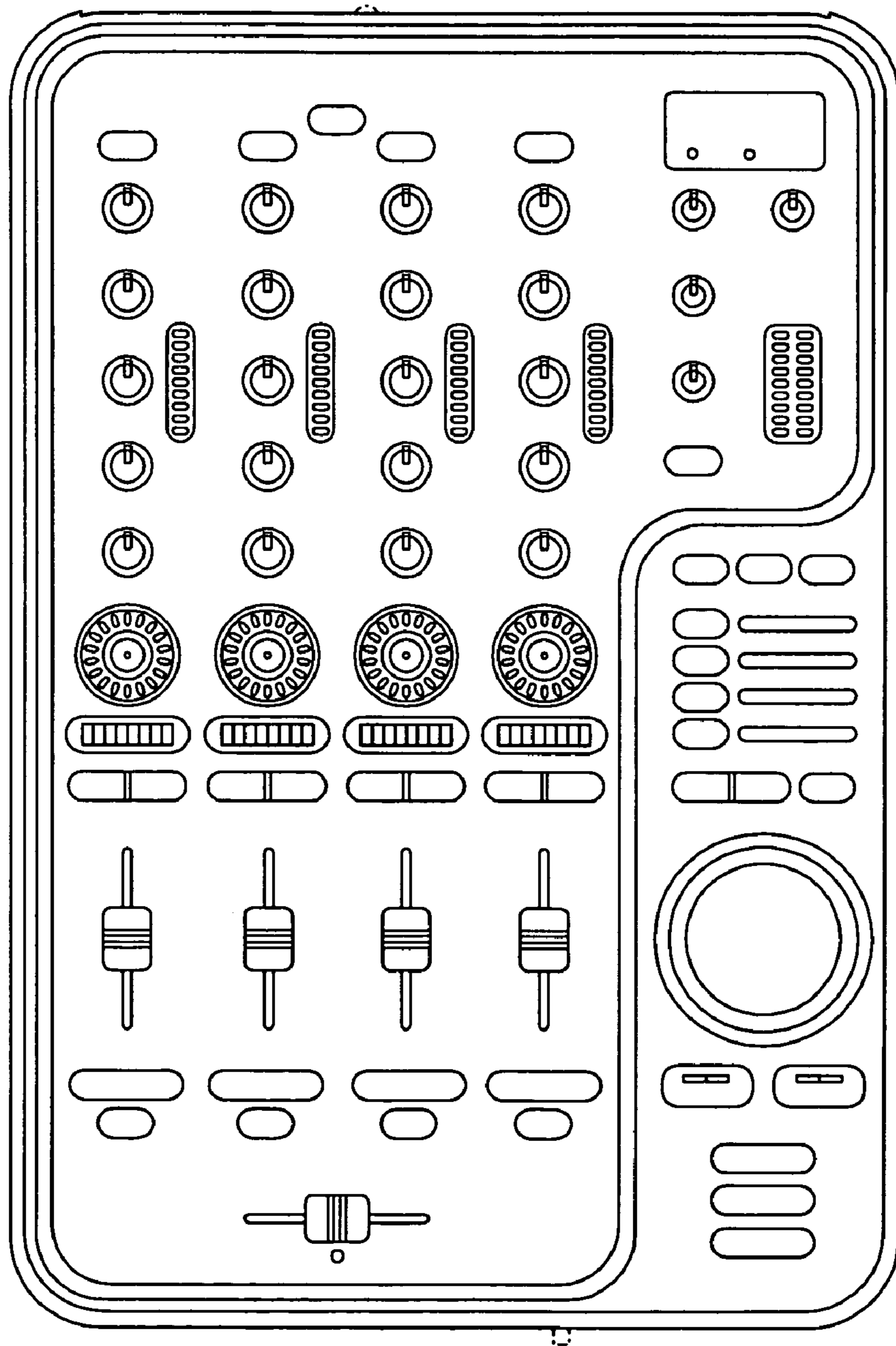


FIG. 2

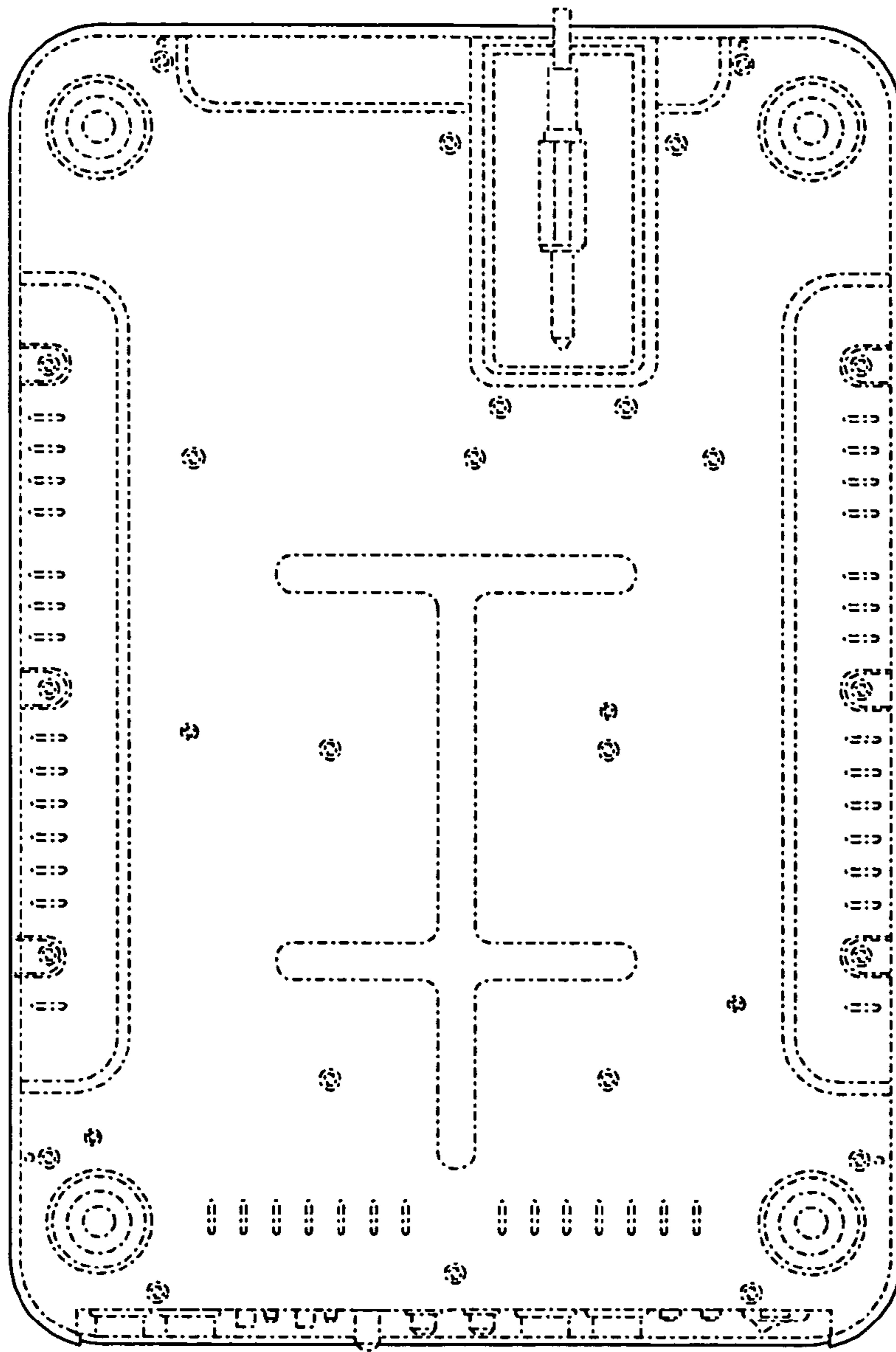


FIG.3

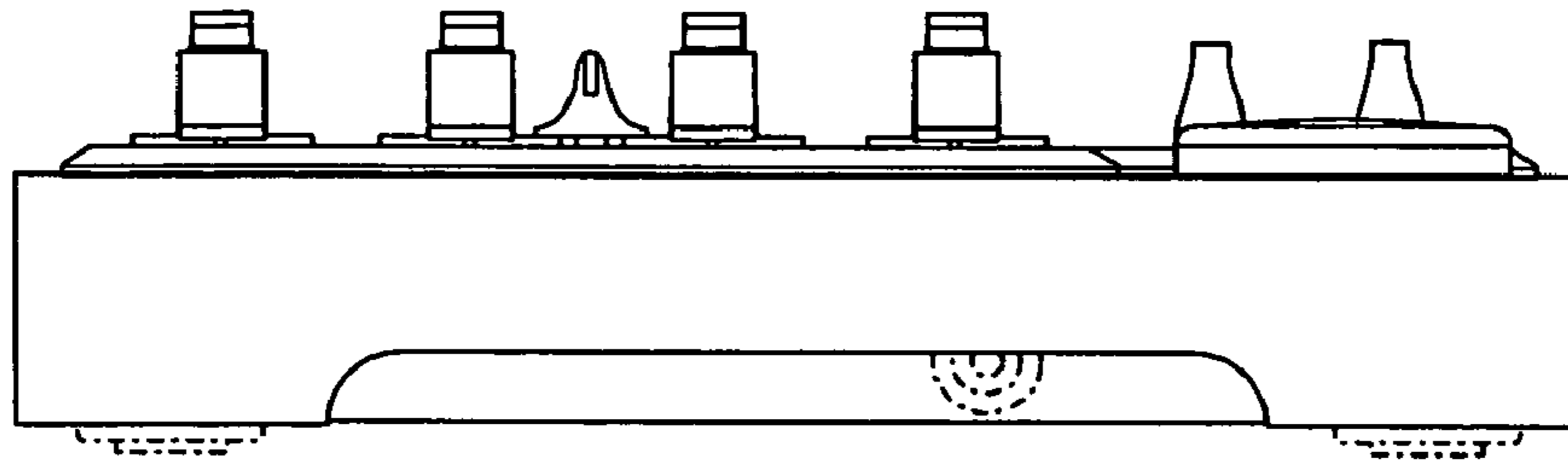


FIG. 4

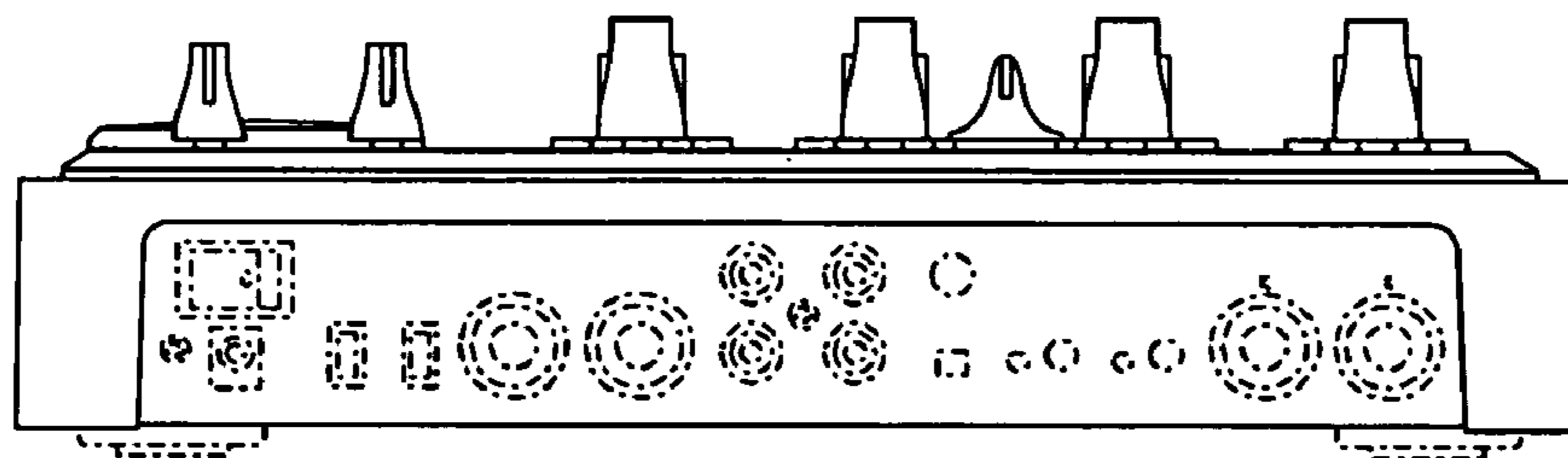


FIG. 5

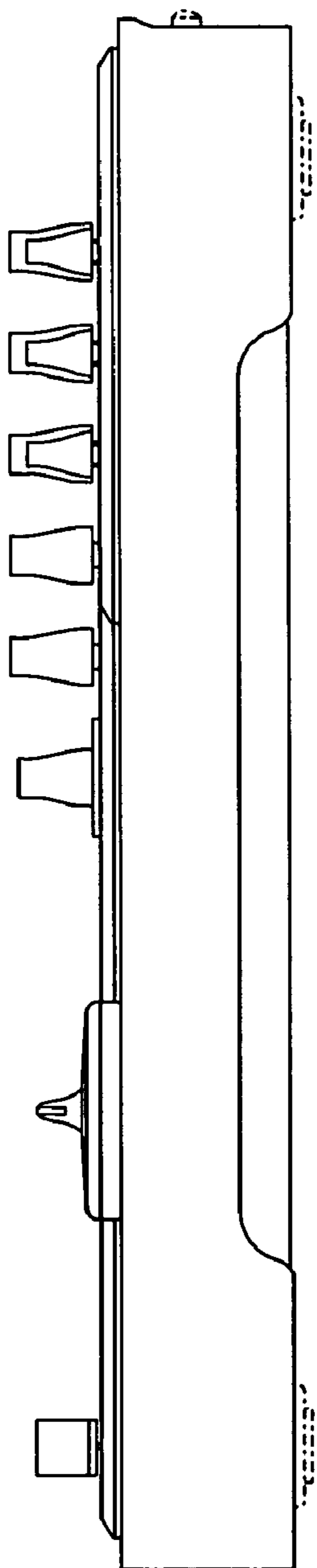


FIG. 6

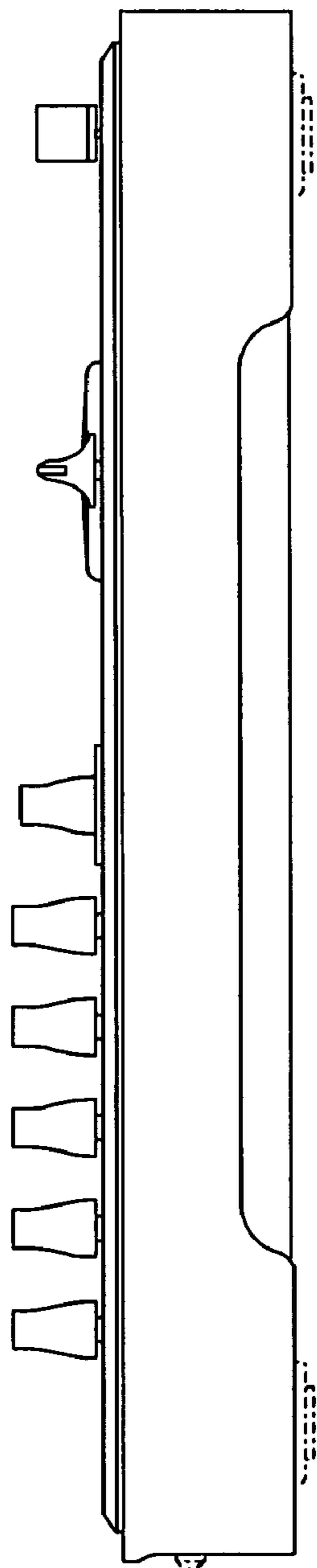


FIG. 7