

US00D578510S

(12) **United States Design Patent**
Tanaka

(10) **Patent No.:** **US D578,510 S**
(45) **Date of Patent:** **** Oct. 14, 2008**

(54) **LOUDSPEAKER**

(75) Inventor: **Koji Tanaka**, Meguro-ku (JP)

(73) Assignee: **Pioneer Kabushiki Kaisha**, Tokyo (JP)

(**) Term: **14 Years**

(21) Appl. No.: **29/290,021**

(22) Filed: **Oct. 12, 2007**

(30) **Foreign Application Priority Data**

Apr. 26, 2007 (JP) 2007-011449

(51) **LOC (8) Cl.** **14-01**

(52) **U.S. Cl.** **D14/215**

(58) **Field of Classification Search** D14/204,
D14/209-216; 181/143-144, 147-148, 150,
181/157, 198-199, 151, 153; 381/300-302,
381/306, 333, 345, 361-364, 386-388, 332,
381/336, 89

See application file for complete search history.

(56) **References Cited**

U.S. PATENT DOCUMENTS

2,337,213	A *	12/1943	Topping, Jr.	181/156
D202,899	S *	11/1965	Charlton	D14/209
4,142,604	A *	3/1979	Smith	181/156
D280,984	S *	10/1985	Tricker	D14/214
D297,233	S *	8/1988	Livigni	D14/215
D307,014	S *	4/1990	Newman	D14/210
D336,474	S *	6/1993	Hall	D14/214

FOREIGN PATENT DOCUMENTS

JP	S-D1224374	12/2004
JP	S-D1284301	10/2006

OTHER PUBLICATIONS

Pioneer Audio & Visual Products Catalog, published Nov. 2006.
Pioneer Home Entertainment Products Catalog 2002-2003, published 2002.

Pioneer Home Entertainment Guide 2000-2001, published 2000.

* cited by examiner

Primary Examiner—Nanda Bondade

(74) *Attorney, Agent, or Firm*—Oliff & Berridge, PLC

(57) **CLAIM**

The ornamental design for a loudspeaker, as shown and described.

DESCRIPTION

FIG. 1 is a perspective view of a loudspeaker;

FIG. 2 is a front view thereof;

FIG. 3 is a rear view thereof;

FIG. 4 is a left-side view thereof;

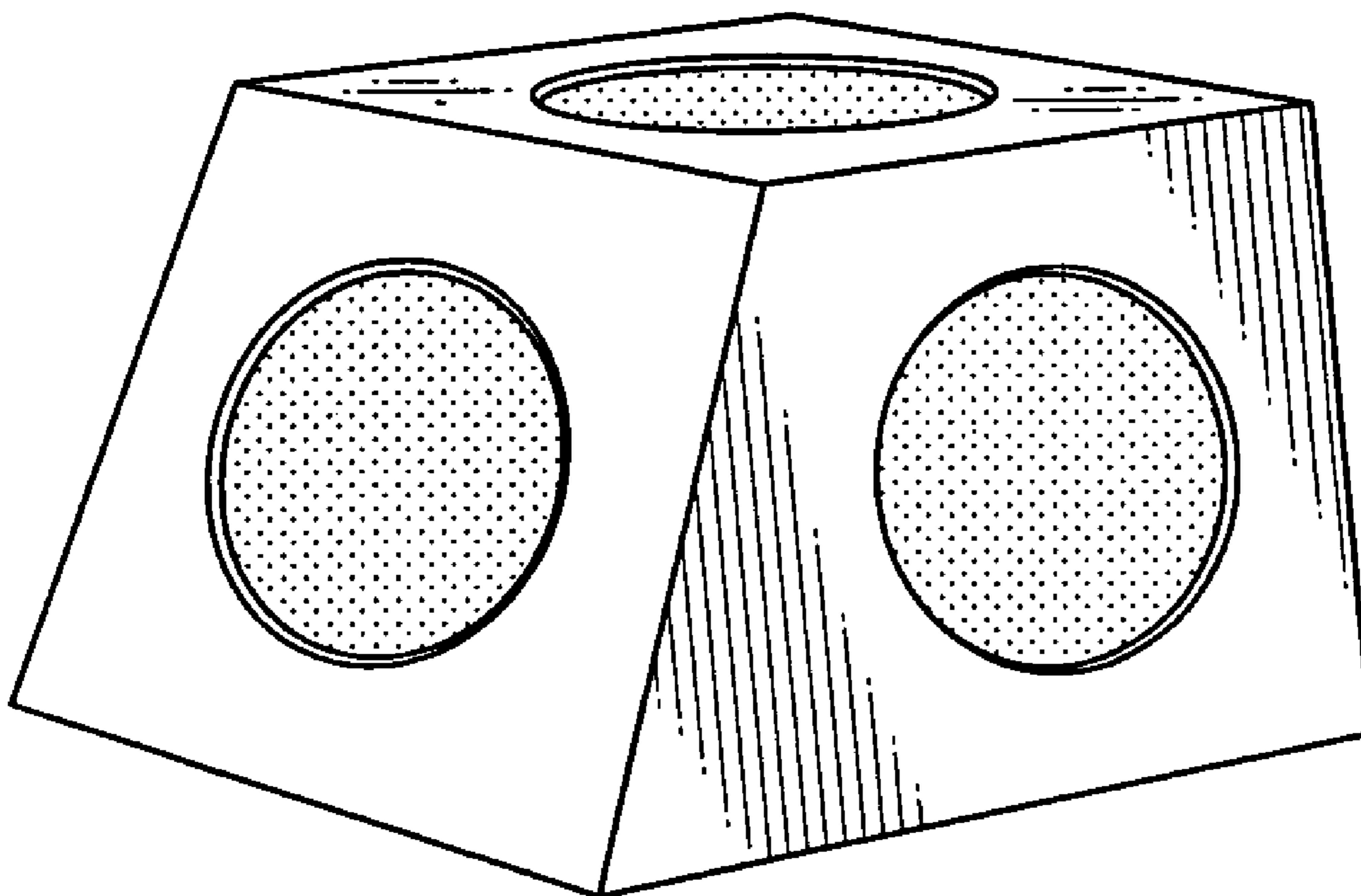
FIG. 5 is a right-side view thereof;

FIG. 6 is a top view thereof;

FIG. 7 is a bottom view thereof; and,

FIG. 8 is a perspective view thereof. The broken line showing of another loudspeaker is for illustrative purposes only and forms no part of the claimed design.

1 Claim, 3 Drawing Sheets



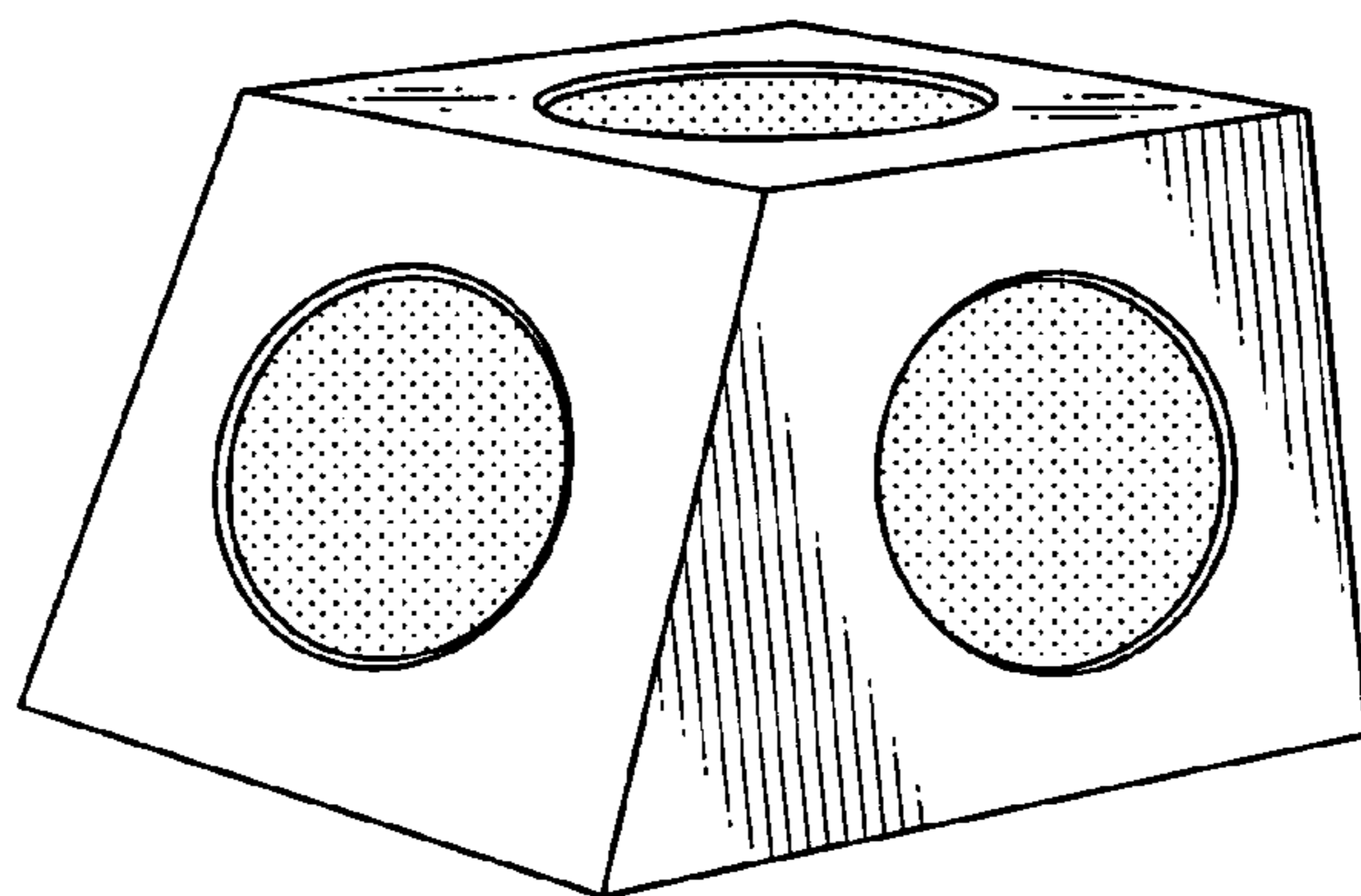


FIG. 1

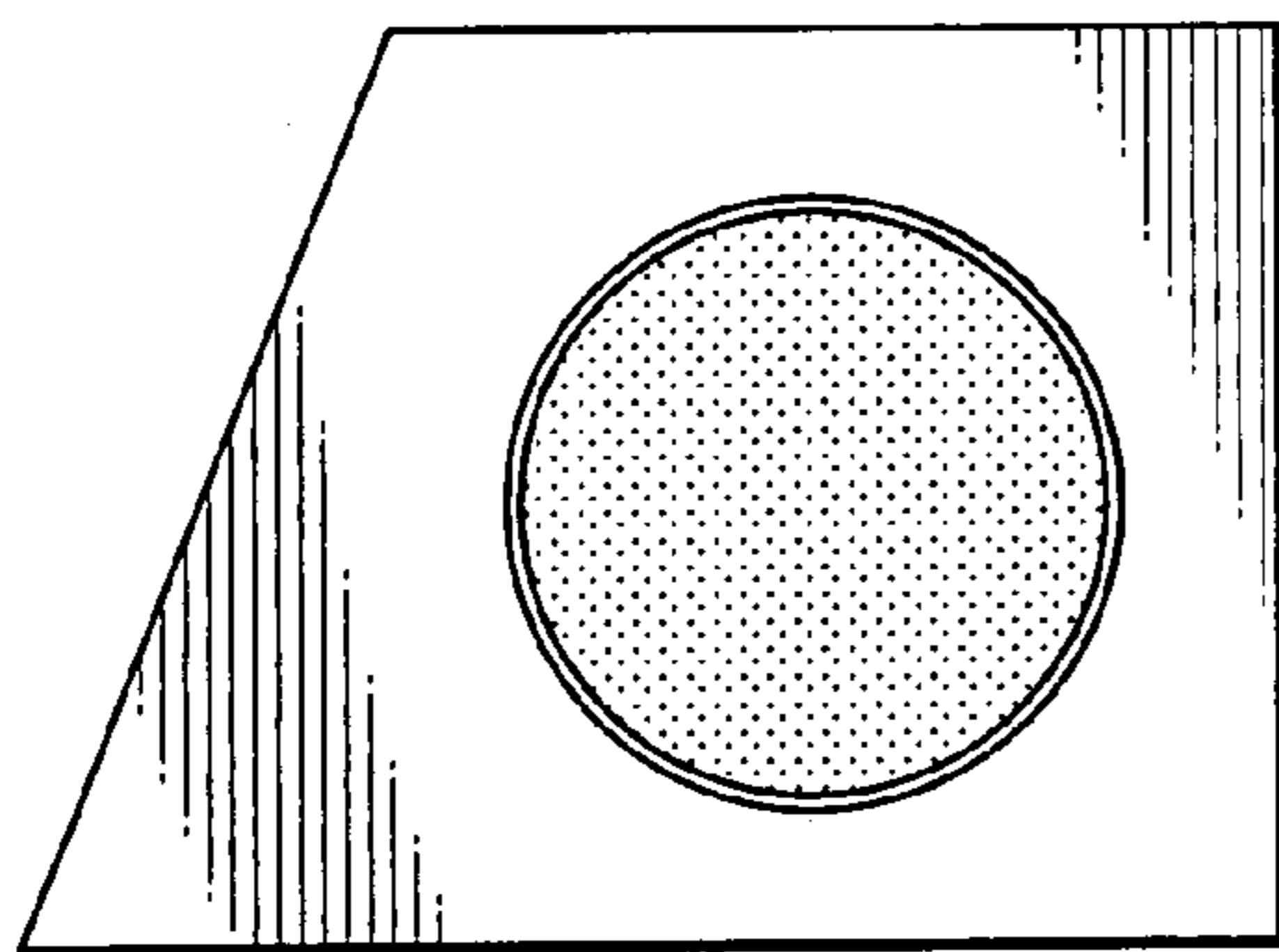


FIG. 2

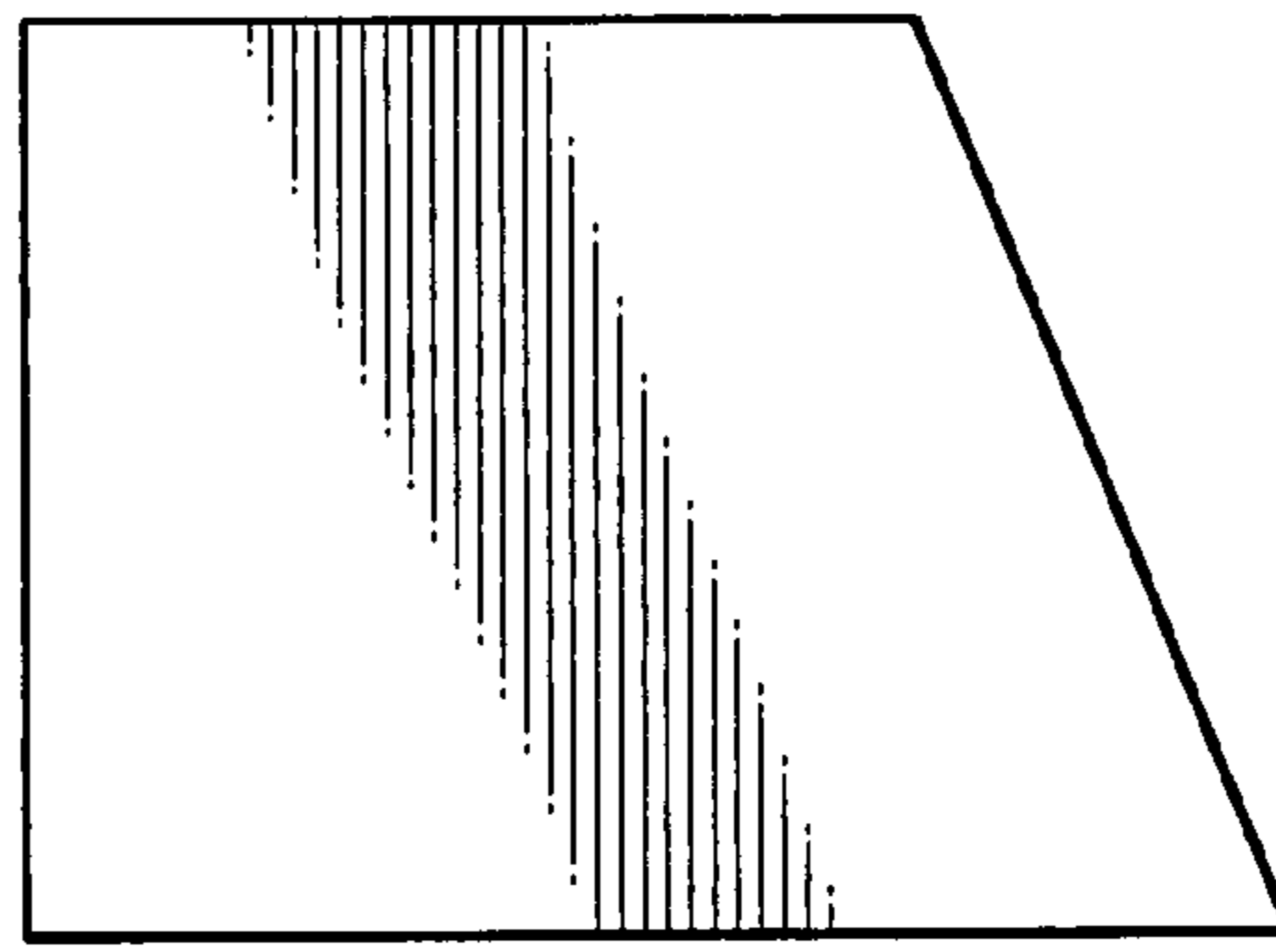


FIG. 3

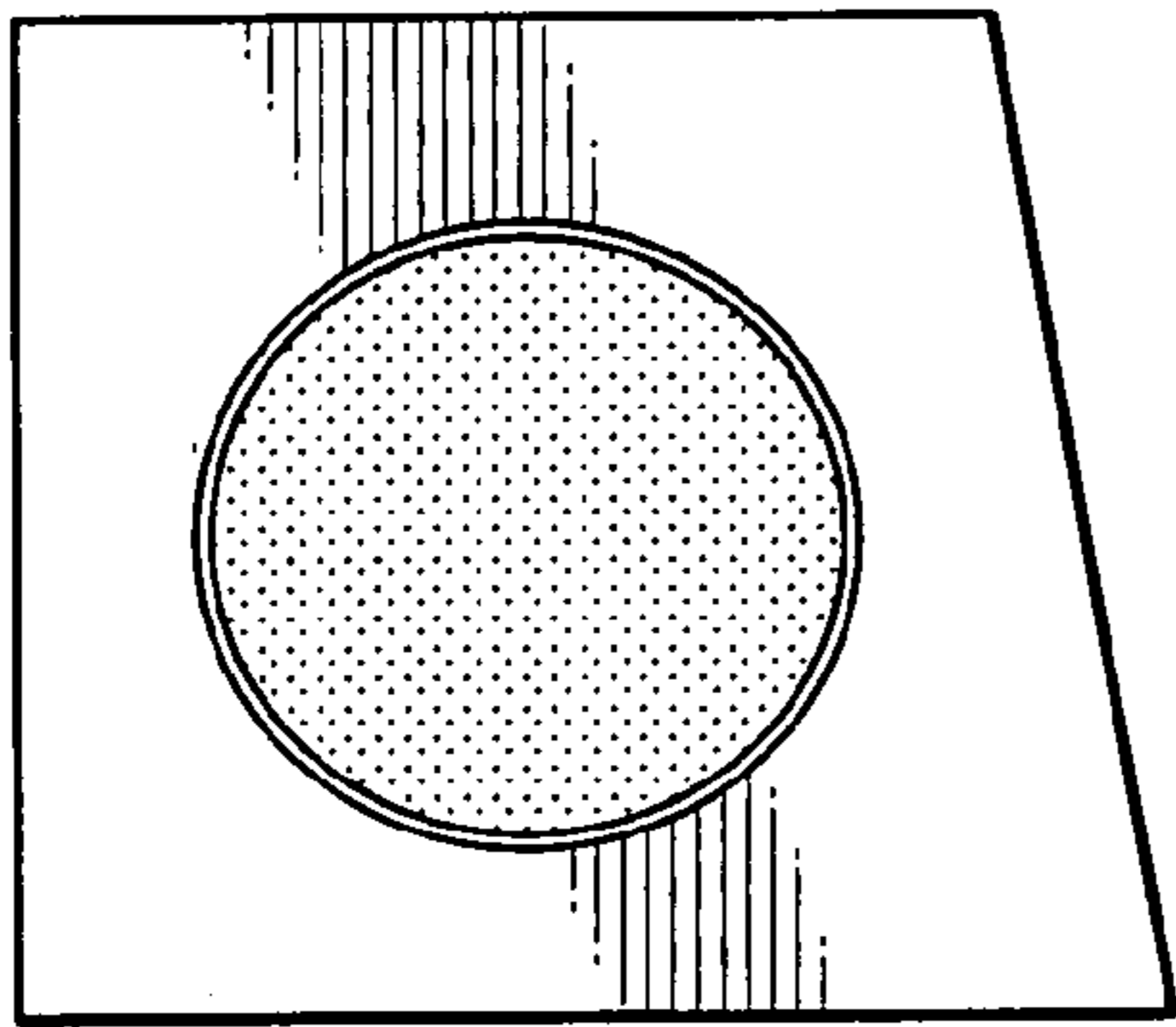


FIG. 4

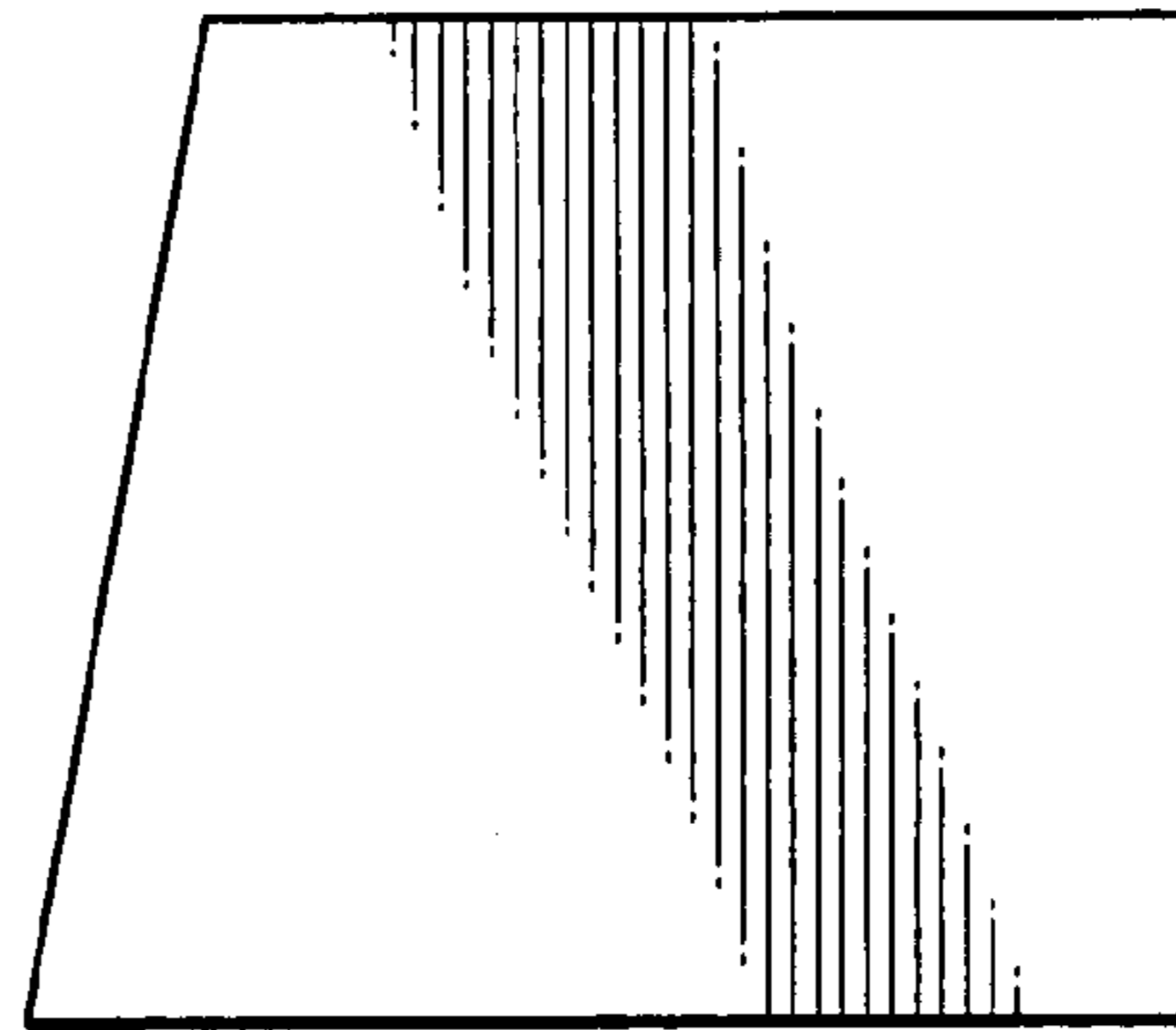


FIG. 5

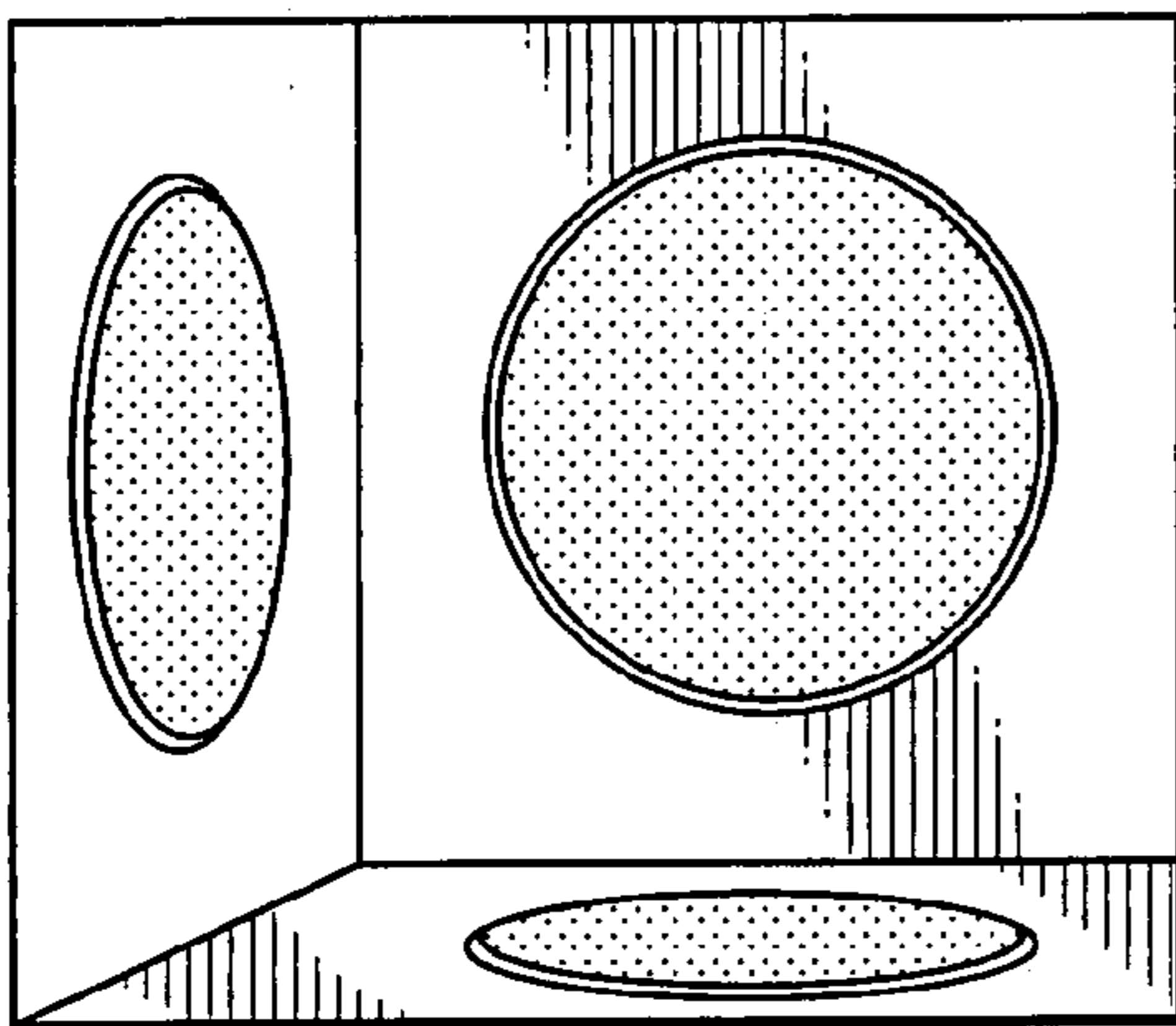


FIG. 6

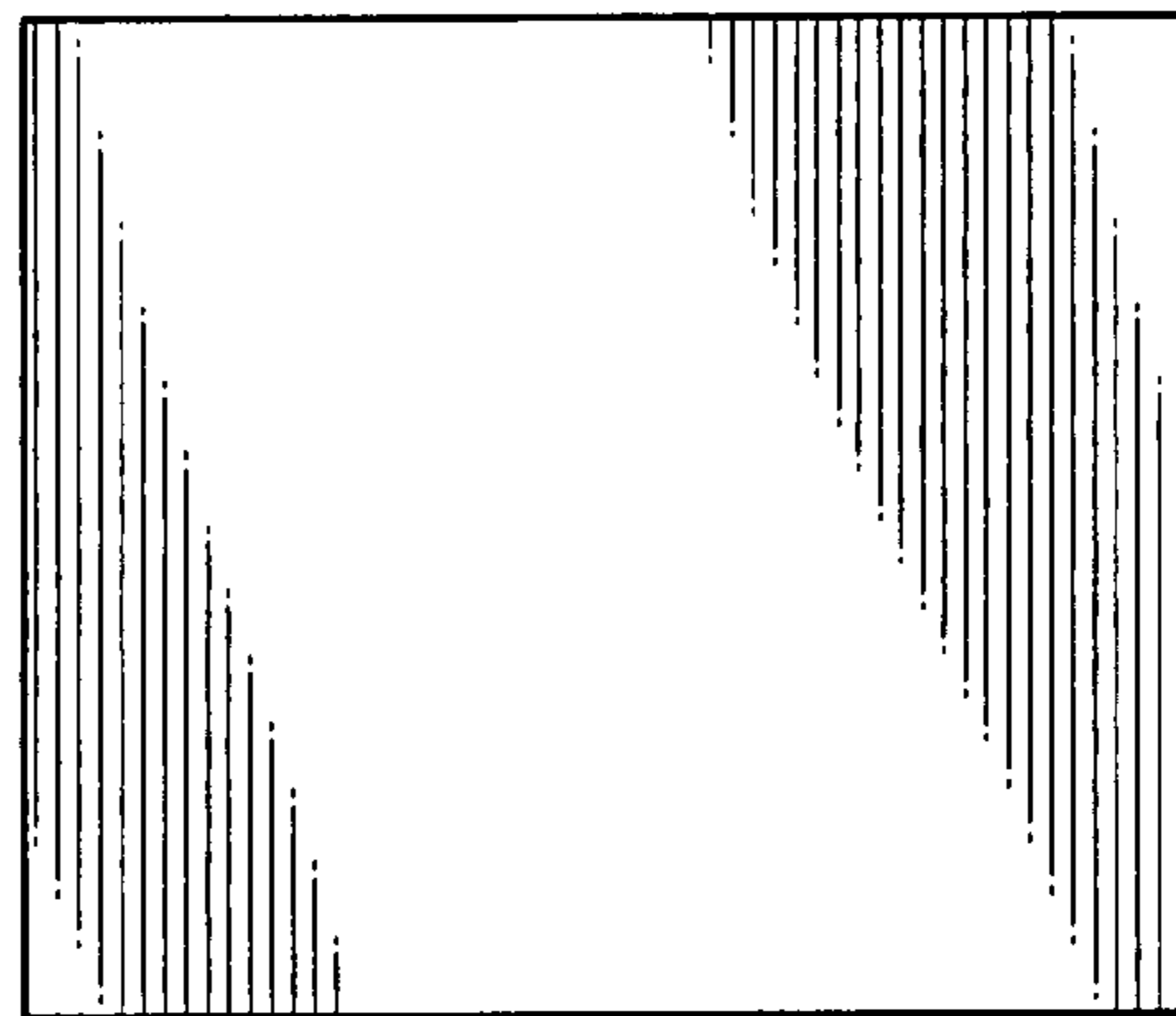


FIG. 7

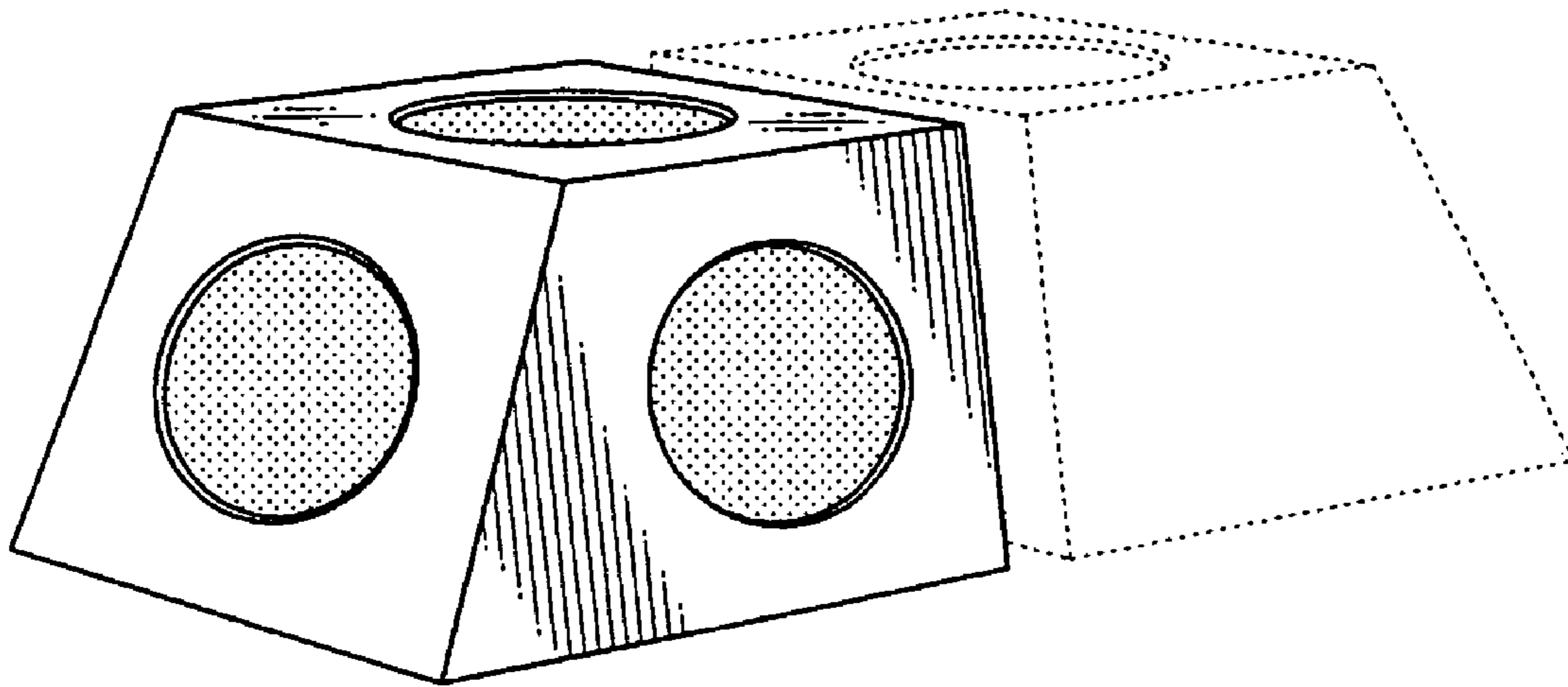


FIG. 8