



US00D578509S

(12) **United States Design Patent**
Thomas

(10) **Patent No.:** **US D578,509 S**
(45) **Date of Patent:** **** Oct. 14, 2008**

(54) **AUDIO SPEAKER**

(75) Inventor: **Peter Thomas**, Potton (GB)

(73) Assignee: **The Professional Monitor Company Limited**, Luton (GB)

(**) Term: **14 Years**

(21) Appl. No.: **29/273,717**

(22) Filed: **Mar. 12, 2007**

(51) **LOC (8) Cl.** **14-01**

(52) **U.S. Cl.** **D14/214**

(58) **Field of Classification Search** D14/204,
D14/209–216, 219–220; 181/143–144, 147–148,
181/150, 157, 198–199, 151, 153; 381/300–302,
381/306, 333, 345, 361–364, 386–388, 332,
381/336

See application file for complete search history.

(56) **References Cited**

U.S. PATENT DOCUMENTS

4,805,730	A *	2/1989	O'Neill et al.	181/148
5,322,979	A *	6/1994	Cassity et al.	181/150
5,400,413	A *	3/1995	Kindel	381/189
D381,335	S *	7/1997	Whitehead	D14/204
D392,289	S *	3/1998	Isonaga	D14/214
D392,977	S *	3/1998	Kim	D14/214
D410,006	S *	5/1999	Miyazaki	D14/214
D503,169	S *	3/2005	Hisatsune	D14/214
D508,043	S *	8/2005	Silverstein	D14/219

OTHER PUBLICATIONS

PMC "Wafer" Brochure, Ref. USA 4961/05, Oct. 2005.
PMC Photograph of Display "On Wall, with grill," Jan. 2006.

PMC Photograph of Display "On Wall, no grill," Jan. 2006.

* cited by examiner

Primary Examiner—Nanda Bondade
(74) *Attorney, Agent, or Firm*—Woodard, Emhardt, Moriarty,
McNett & Henry LLP

(57) **CLAIM**

The ornamental design for an audio speaker, as shown and described.

DESCRIPTION

FIG. 1 is a perspective view of an audio speaker showing a first embodiment of my new design;

FIG. 2 is a front elevational view thereof;

FIG. 3 is a rear elevational view thereof;

FIG. 4 is a right side elevational view thereof;

FIG. 5 is a left side elevational view thereof;

FIG. 6 is a top plan view thereof; and

FIG. 7 is a bottom plan view thereof.

FIG. 8 is a perspective view of an audio speaker showing a second embodiment of my new design;

FIG. 9 is a front elevational view thereof;

FIG. 10 is a rear elevational view thereof;

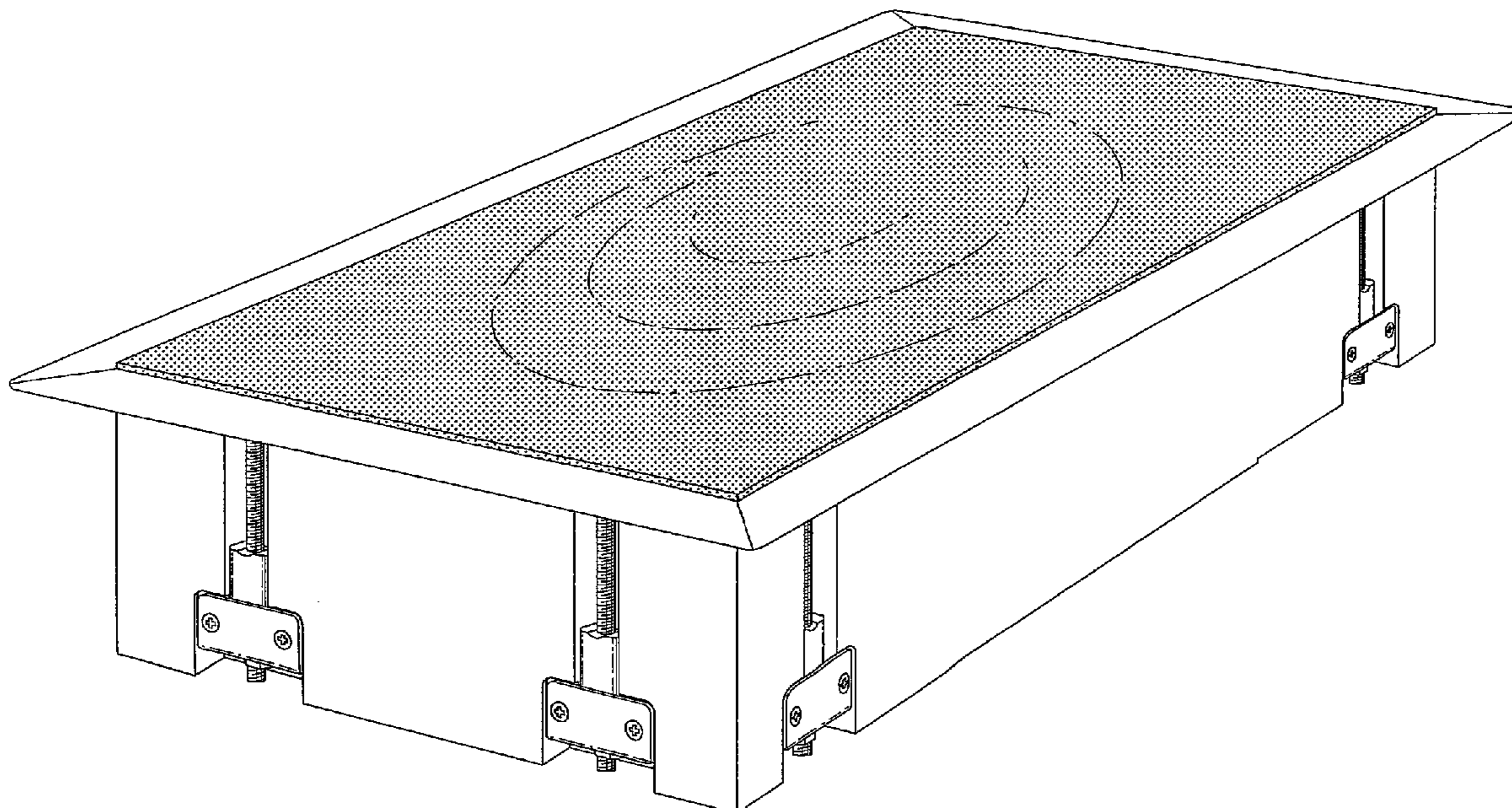
FIG. 11 is a right side elevational view thereof;

FIG. 12 is a left side elevational view thereof;

FIG. 13 is a top plan view thereof; and,

FIG. 14 is a bottom plan view thereof.

1 Claim, 14 Drawing Sheets



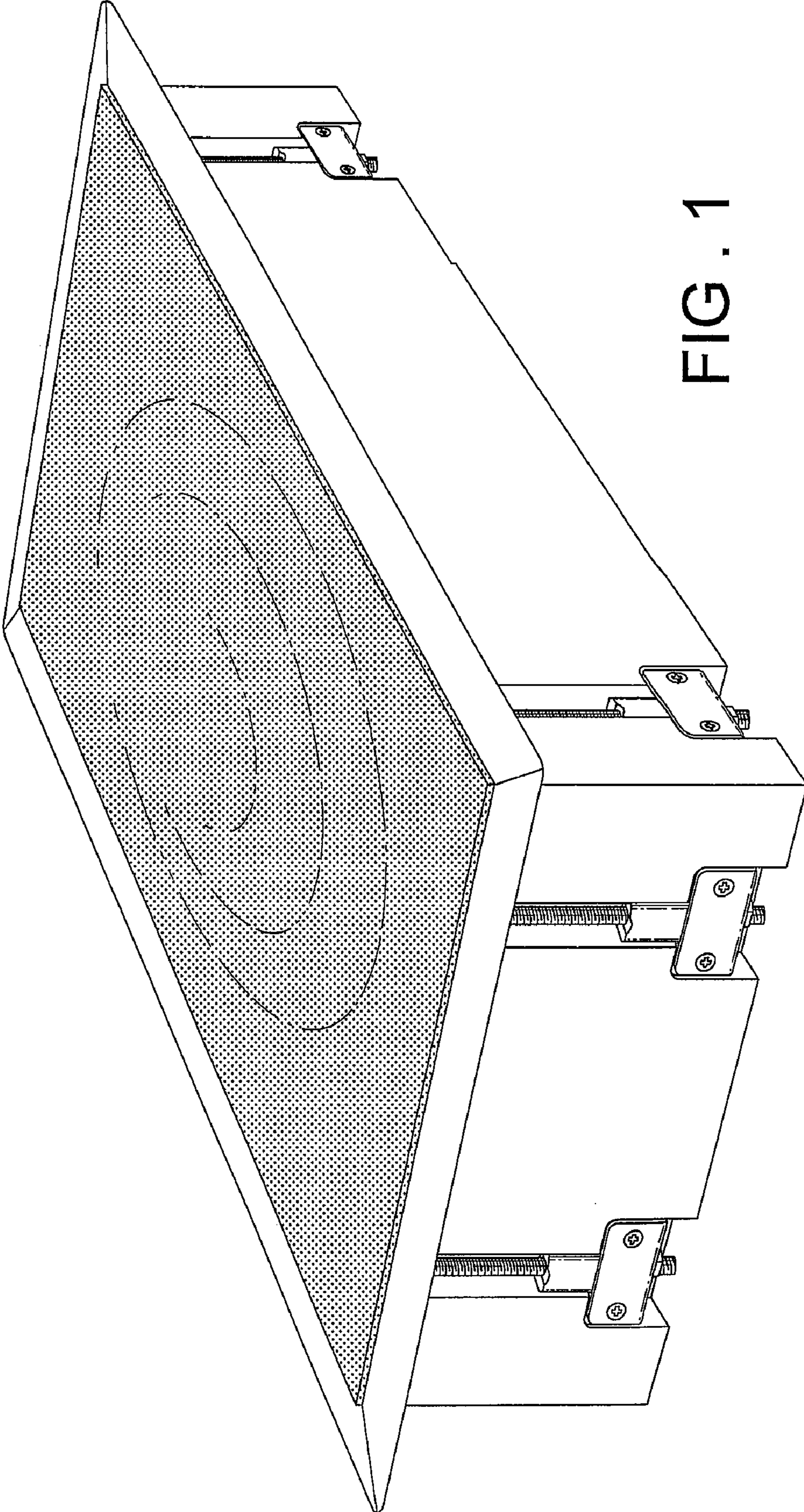


FIG. 1

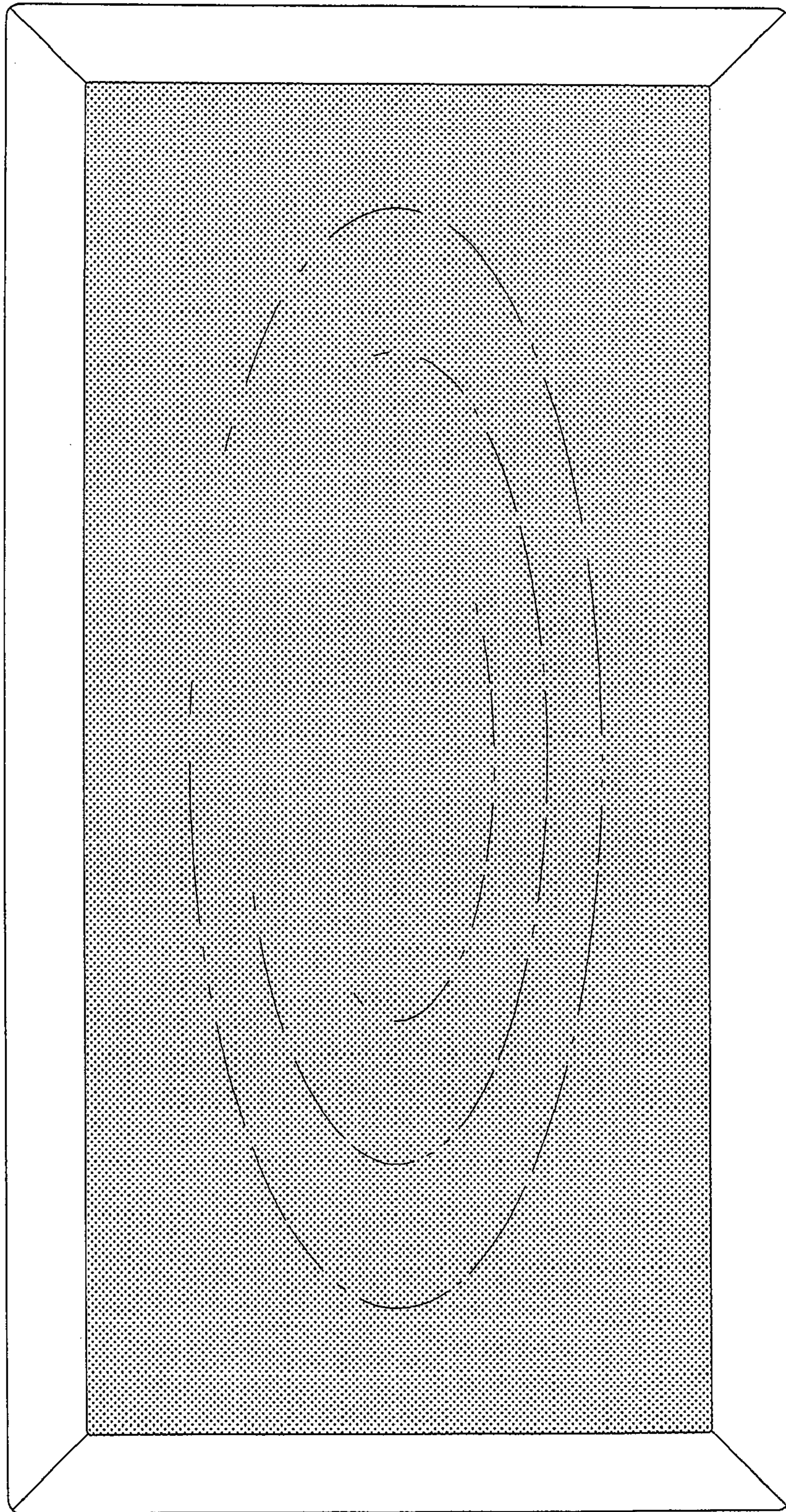


FIG . 2

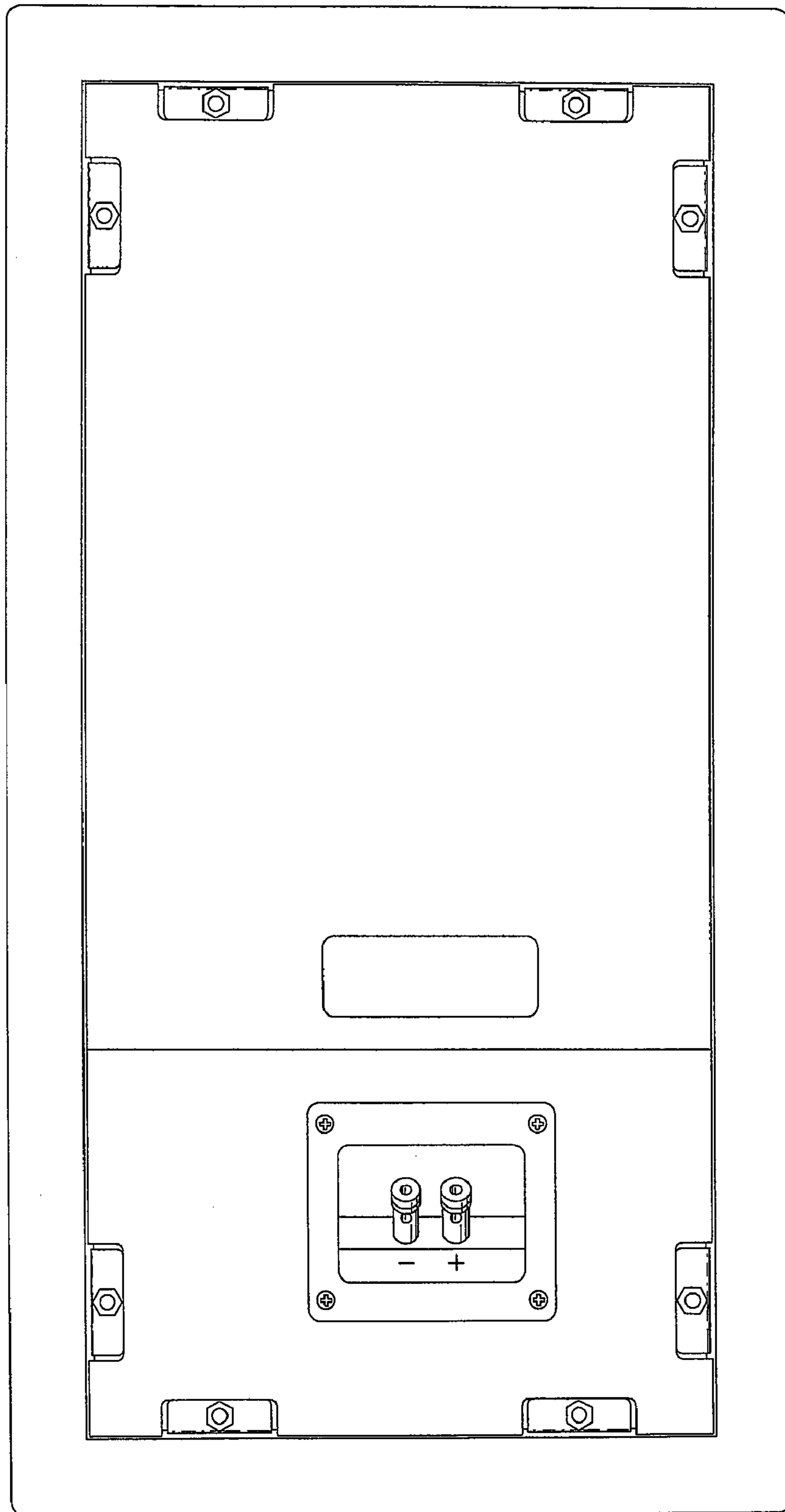


FIG . 3

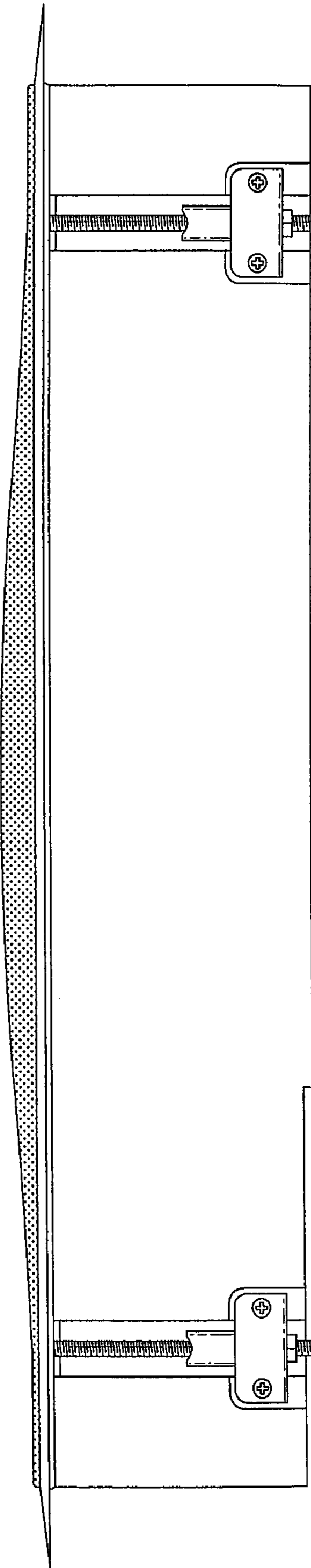


FIG. 4

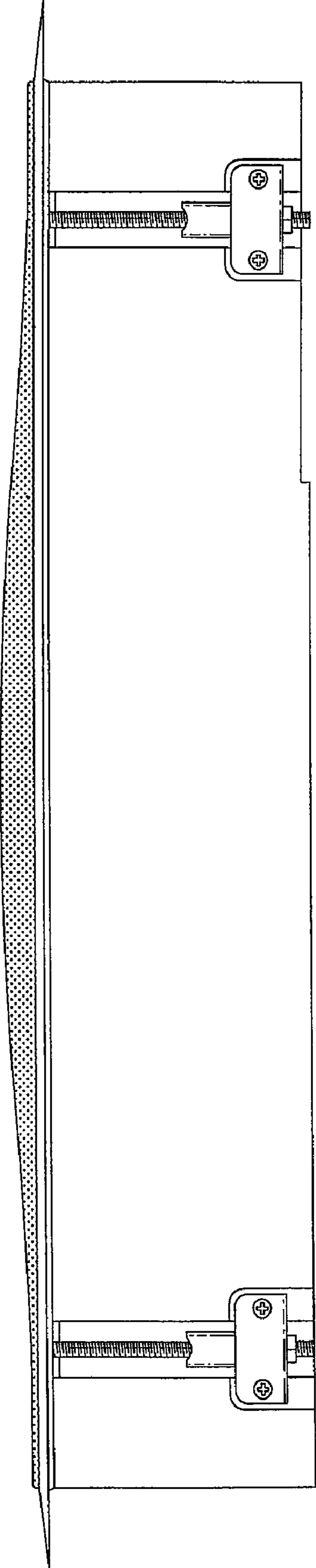


FIG. 5

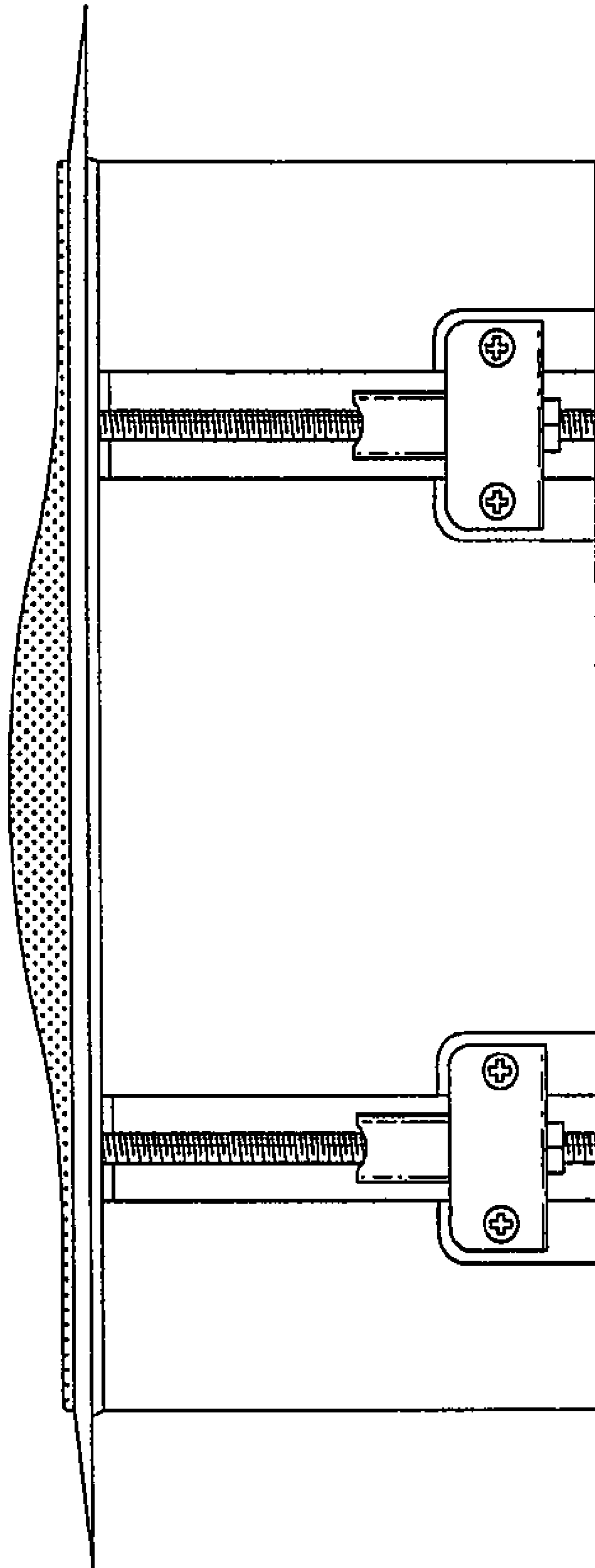


FIG. 6

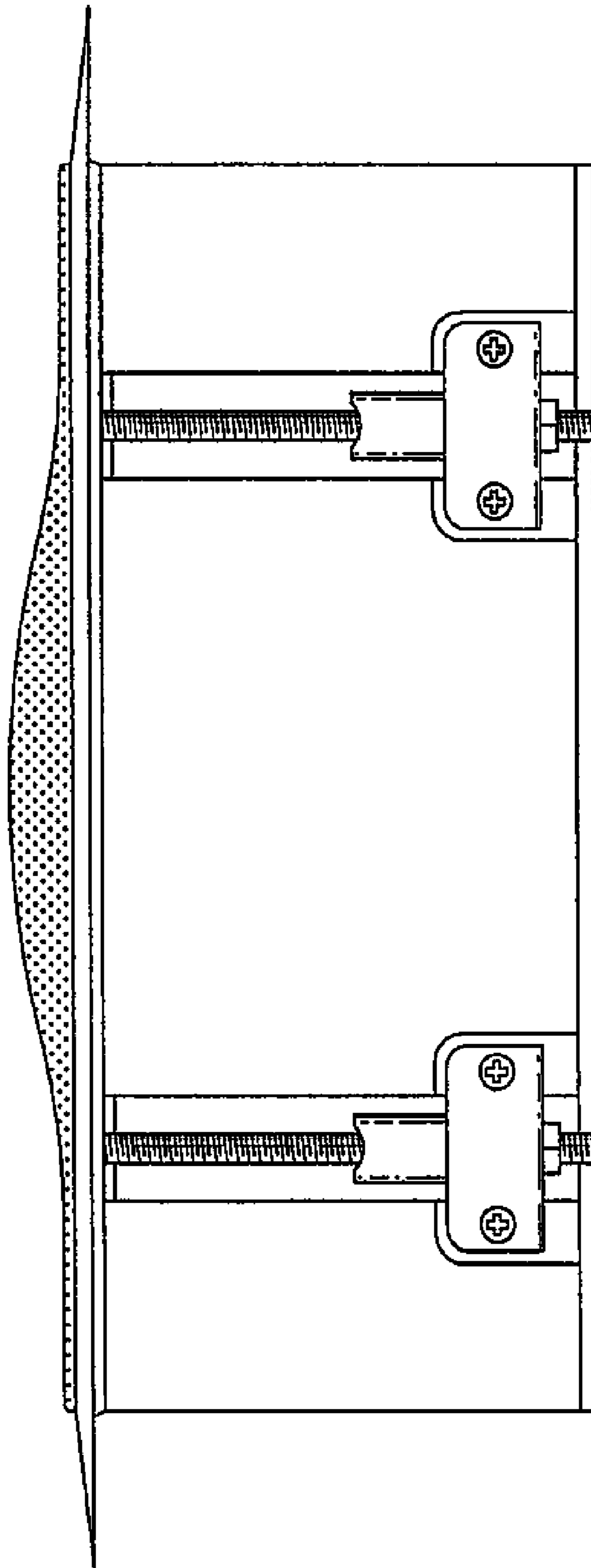


FIG. 7

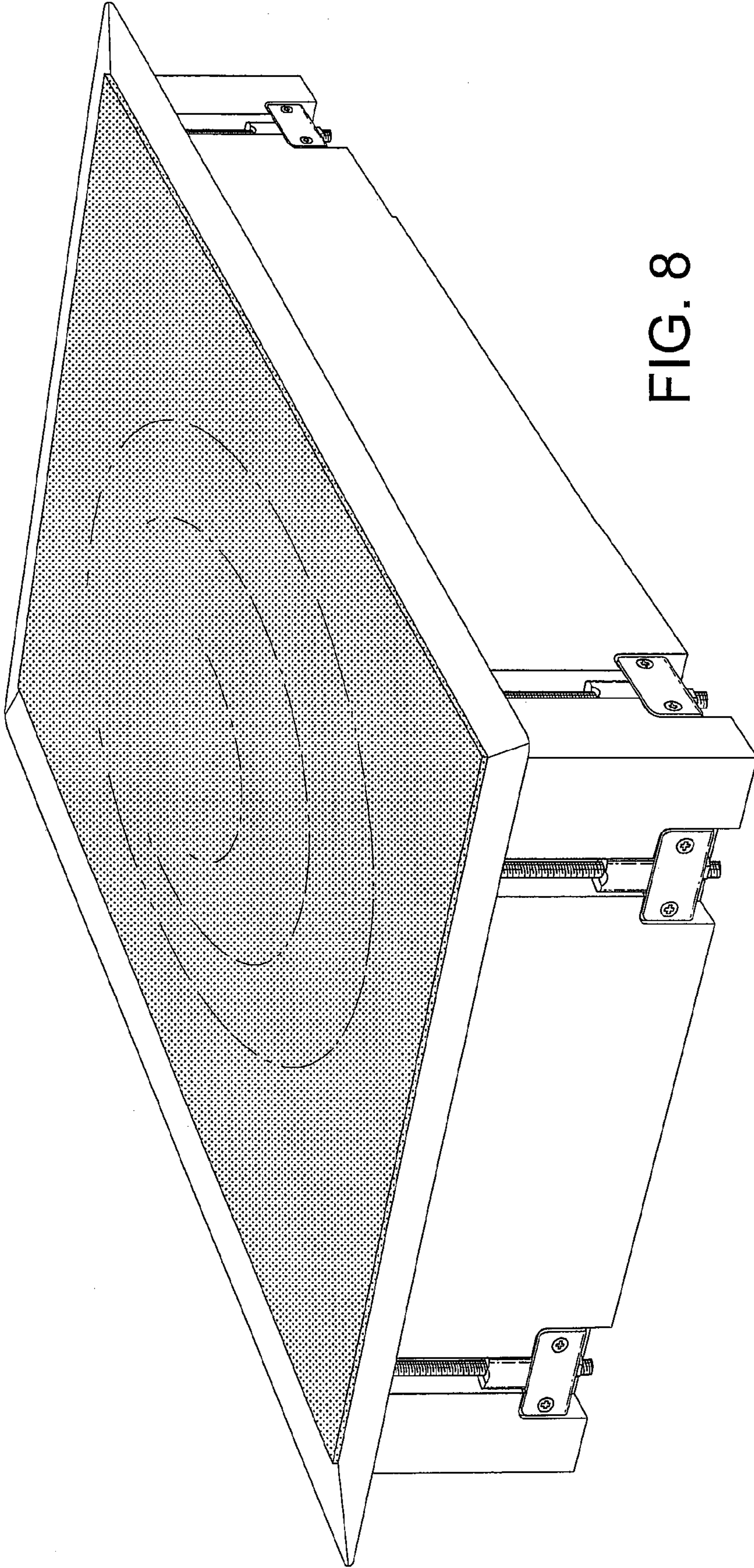


FIG. 8

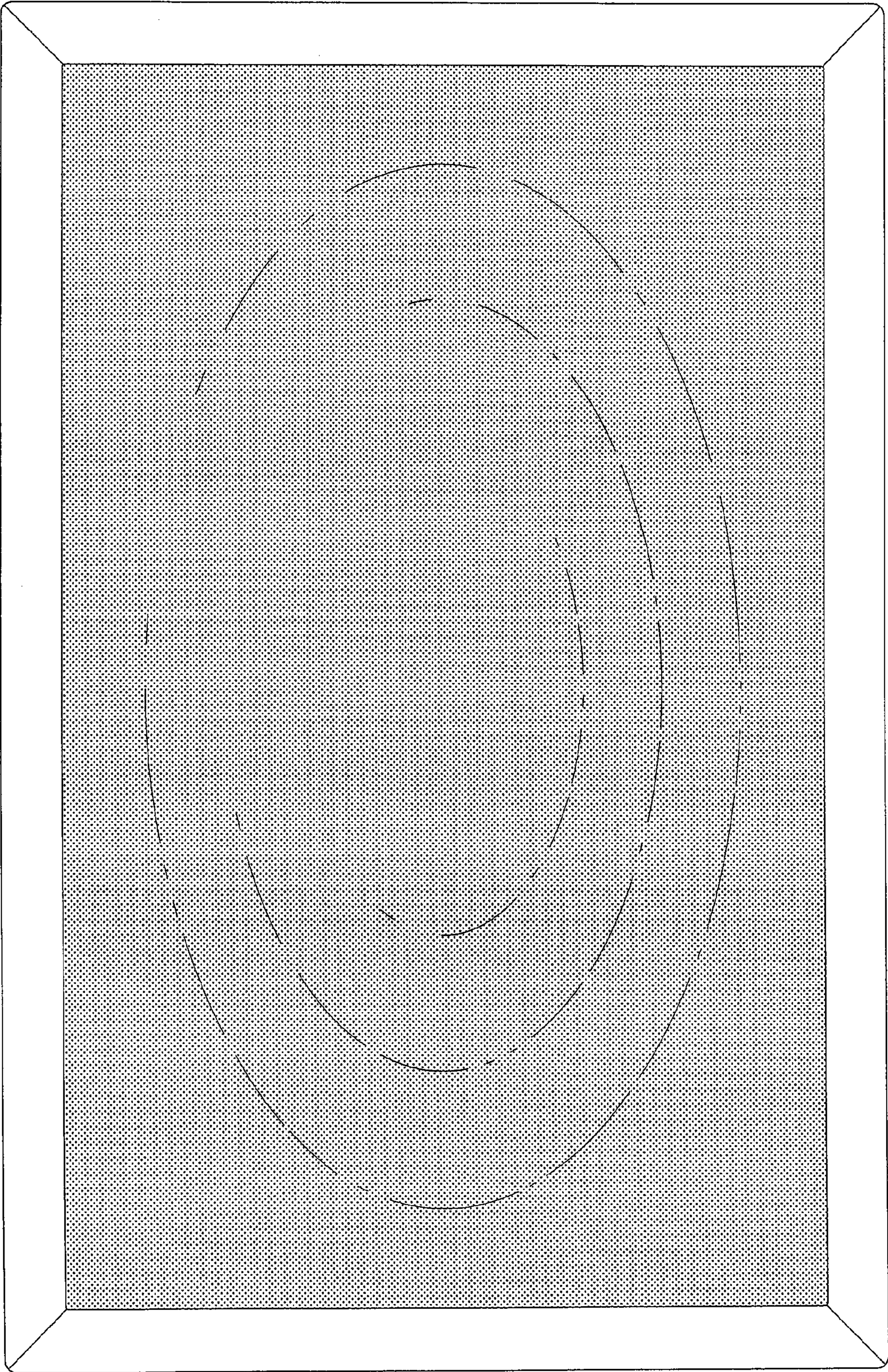


FIG. 9

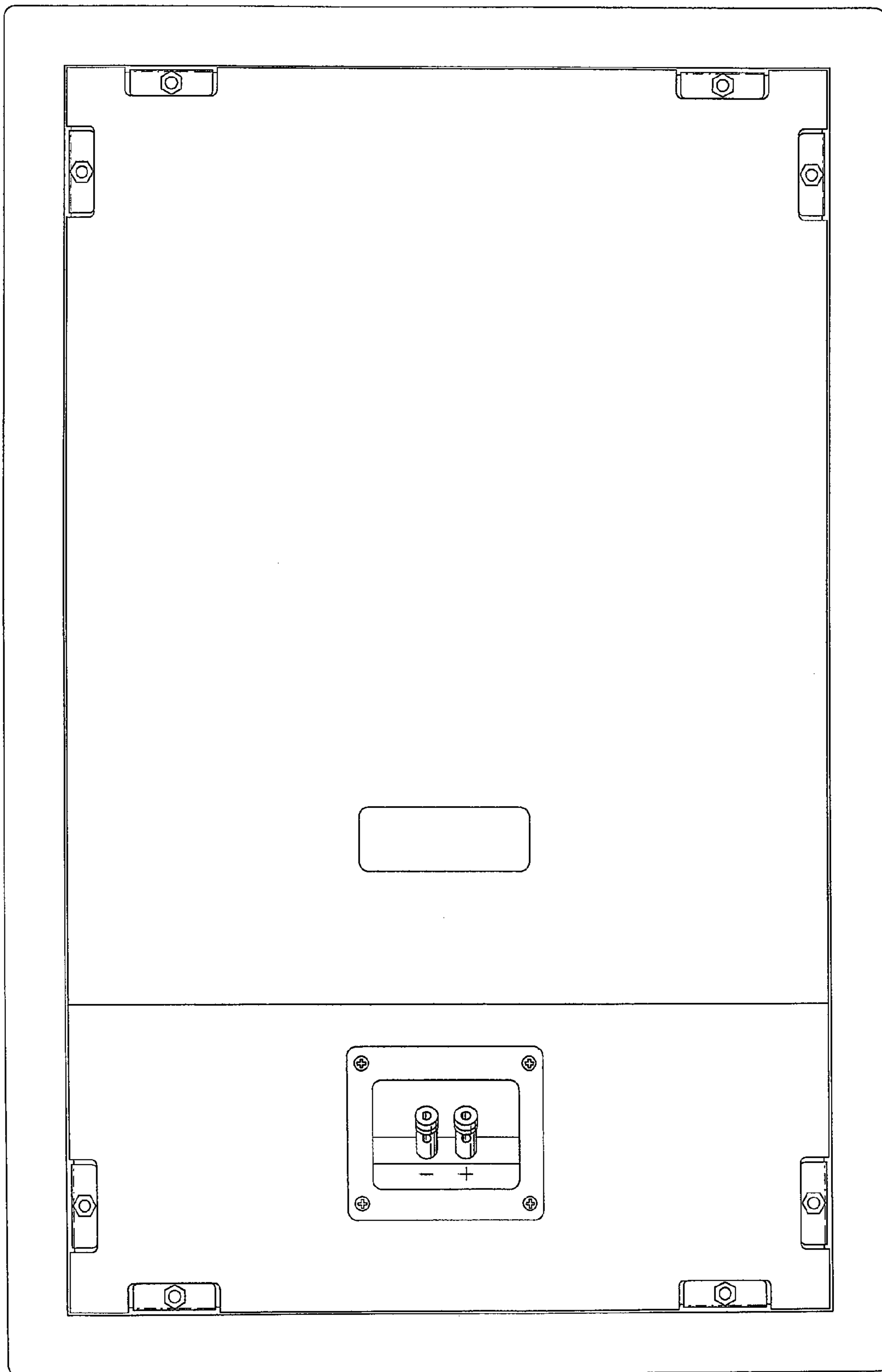


FIG. 10

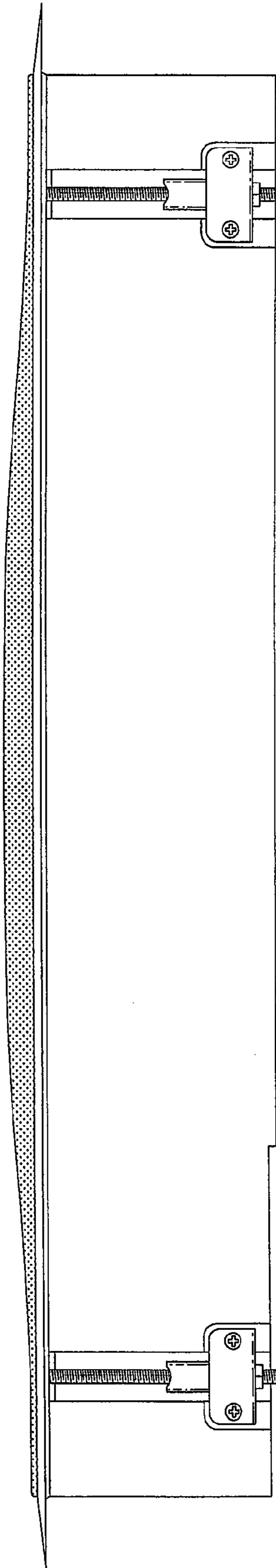


FIG. 11

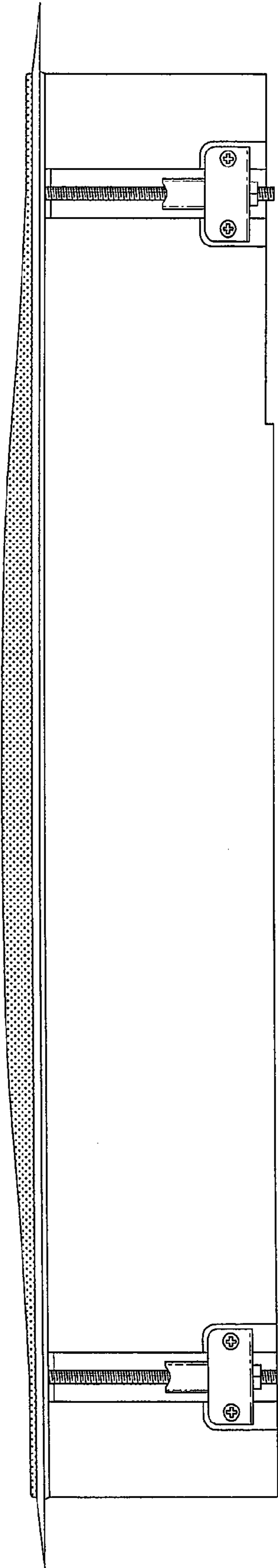


FIG. 12

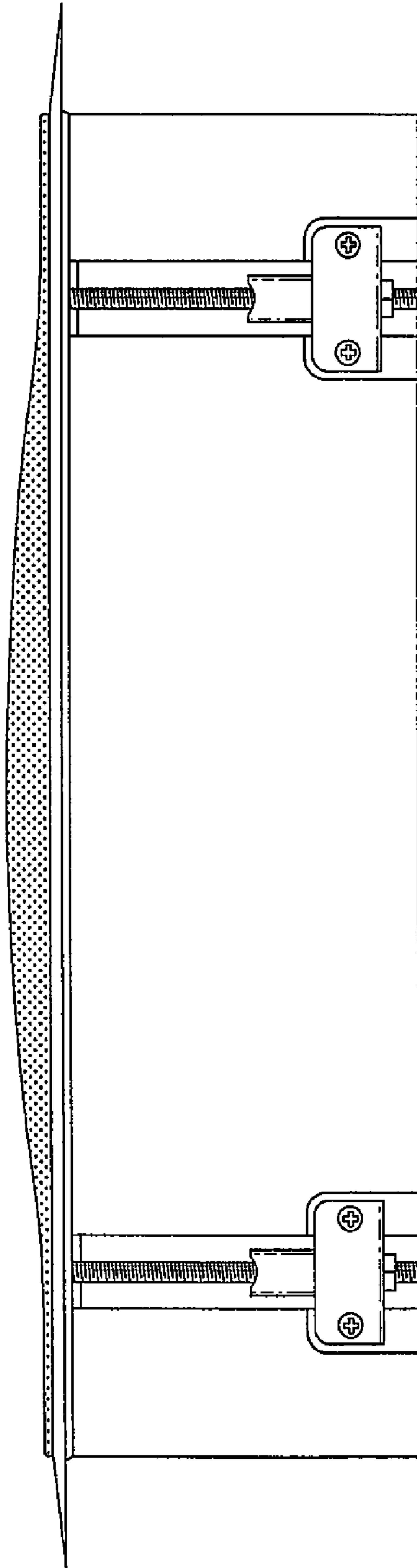


FIG. 13

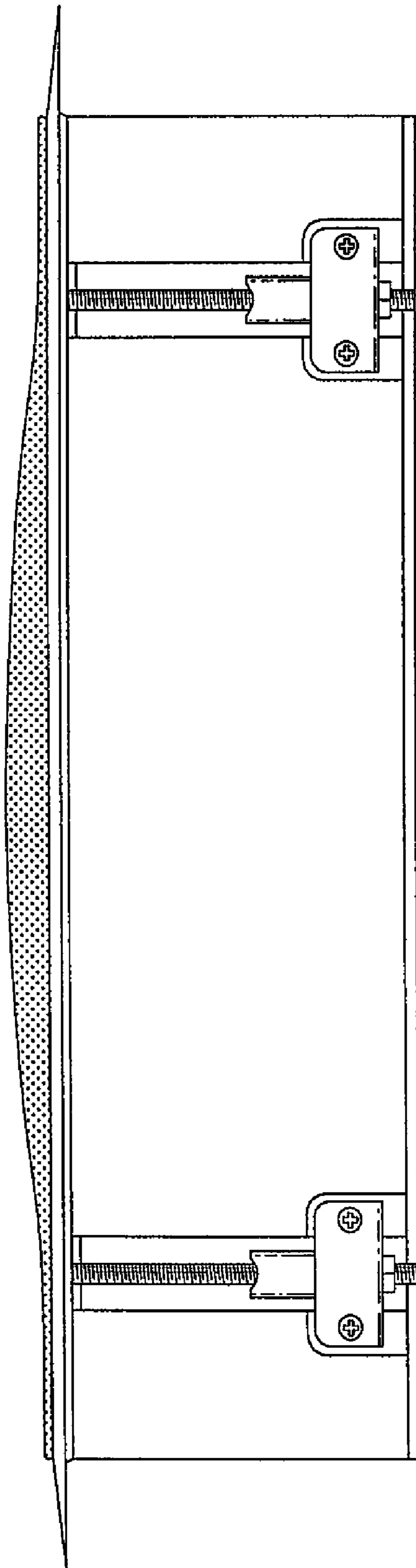


FIG. 14