



US00D578506S

(12) **United States Design Patent**
Nakamura

(10) **Patent No.:** **US D578,506 S**
(45) **Date of Patent:** **** Oct. 14, 2008**

(54) **COMBINED DISC PLAYER AND RADIO RECEIVER**

(75) Inventor: **Takatoshi Nakamura**, Tokyo (JP)

(73) Assignee: **Sony Corporation**, Tokyo (JP)

(**) Term: **14 Years**

(21) Appl. No.: **29/287,571**

(22) Filed: **Aug. 24, 2007**

(30) **Foreign Application Priority Data**

Apr. 11, 2007 (EM) 000705314

(51) **LOC (8) Cl.** **14-03**

(52) **U.S. Cl.** **D14/194; D14/168**

(58) **Field of Classification Search** D14/137,
D14/155, 168, 169, 170, 171, 188, 189, 191-198,
D14/204, 214, 257, 258, 265, 496; 369/6-12;
370/342-344; 455/344-351

See application file for complete search history.

(56) **References Cited**

U.S. PATENT DOCUMENTS

| | | | | |
|--------------|--------|-----------|-------|---------|
| D314,381 S * | 2/1991 | Camens | | D14/163 |
| D319,057 S * | 8/1991 | Oura | | D14/163 |
| D329,850 S * | 9/1992 | Kang | | D14/164 |
| D429,715 S | 8/2000 | Kobayashi | | |
| D443,602 S * | 6/2001 | Scorrano | | D14/194 |
| D454,856 S * | 3/2002 | Kobayashi | | D14/168 |
| D473,210 S * | 4/2003 | Solland | | D14/188 |
| D477,299 S | 7/2003 | Kobayashi | | |

| | | | | |
|--------------|---------|---------------|-------|---------|
| D486,468 S * | 2/2004 | Suzuki | | D14/168 |
| D499,083 S * | 11/2004 | Tanaka | | D14/168 |
| D505,409 S | 5/2005 | Hirano | | |
| D509,821 S * | 9/2005 | Hirano | | D14/168 |
| D511,338 S * | 11/2005 | Hirano | | D14/168 |
| D526,992 S | 8/2006 | Sakai | | |
| D547,299 S * | 7/2007 | Obata | | D14/168 |
| D547,745 S * | 7/2007 | Cheung et al. | | D14/168 |
| D557,262 S * | 12/2007 | Sakai | | D14/257 |

* cited by examiner

Primary Examiner—Stella M. Reid

Assistant Examiner—Keli L Acker

(74) *Attorney, Agent, or Firm*—Rader, Fishman & Grauer, PLLC

(57) **CLAIM**

The ornamental design for a combined disc player and radio receiver, as shown.

DESCRIPTION

FIG. 1 is a perspective view of a combined disc player and radio receiver showing my new design;

FIG. 2 is a front elevational view thereof;

FIG. 3 is a rear elevational view thereof;

FIG. 4 is a left side elevational view thereof;

FIG. 5 is a right side elevational view thereof;

FIG. 6 is a top plan view thereof; and,

FIG. 7 is a bottom plan view thereof.

1 Claim, 7 Drawing Sheets

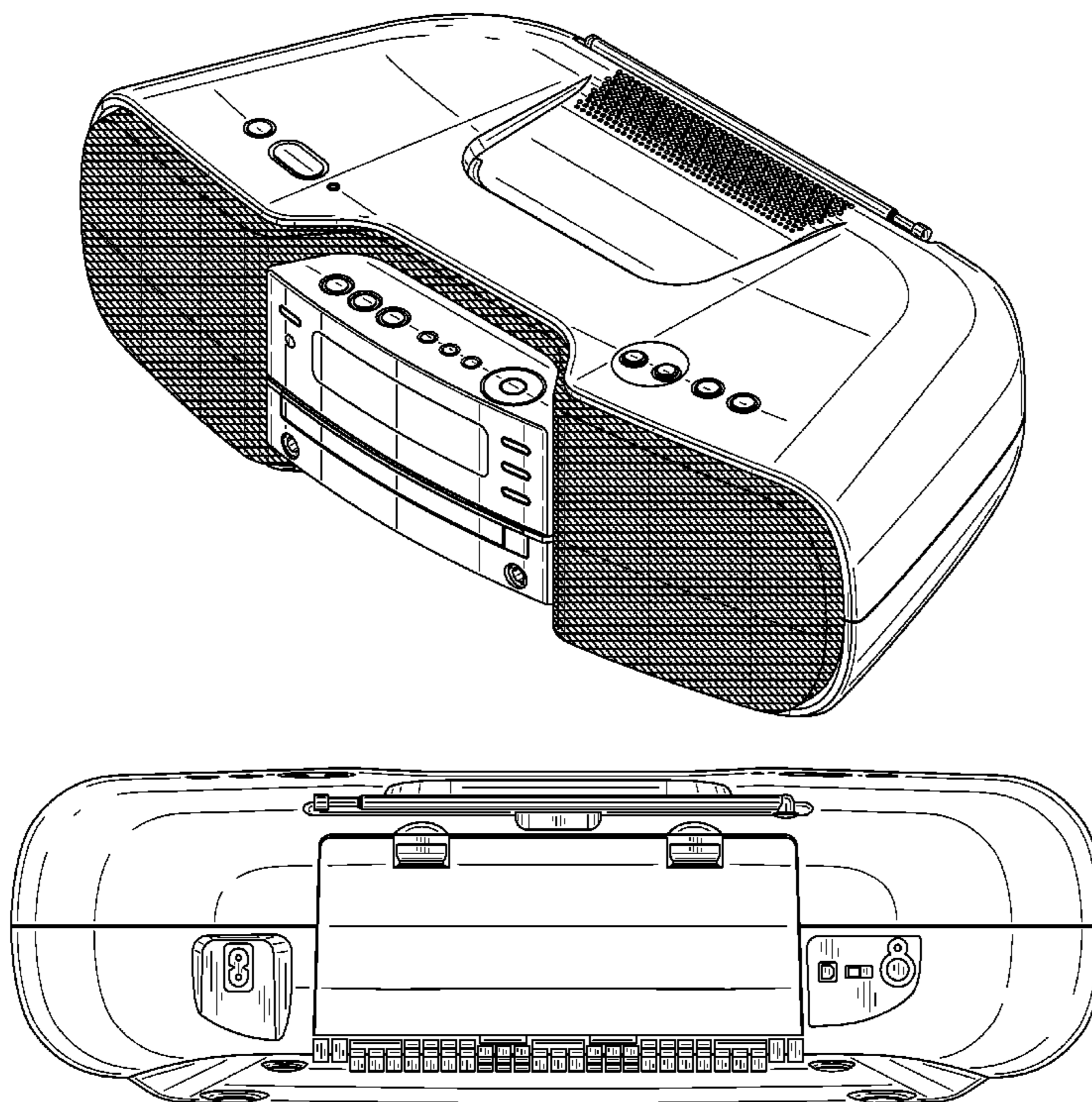


Fig.1

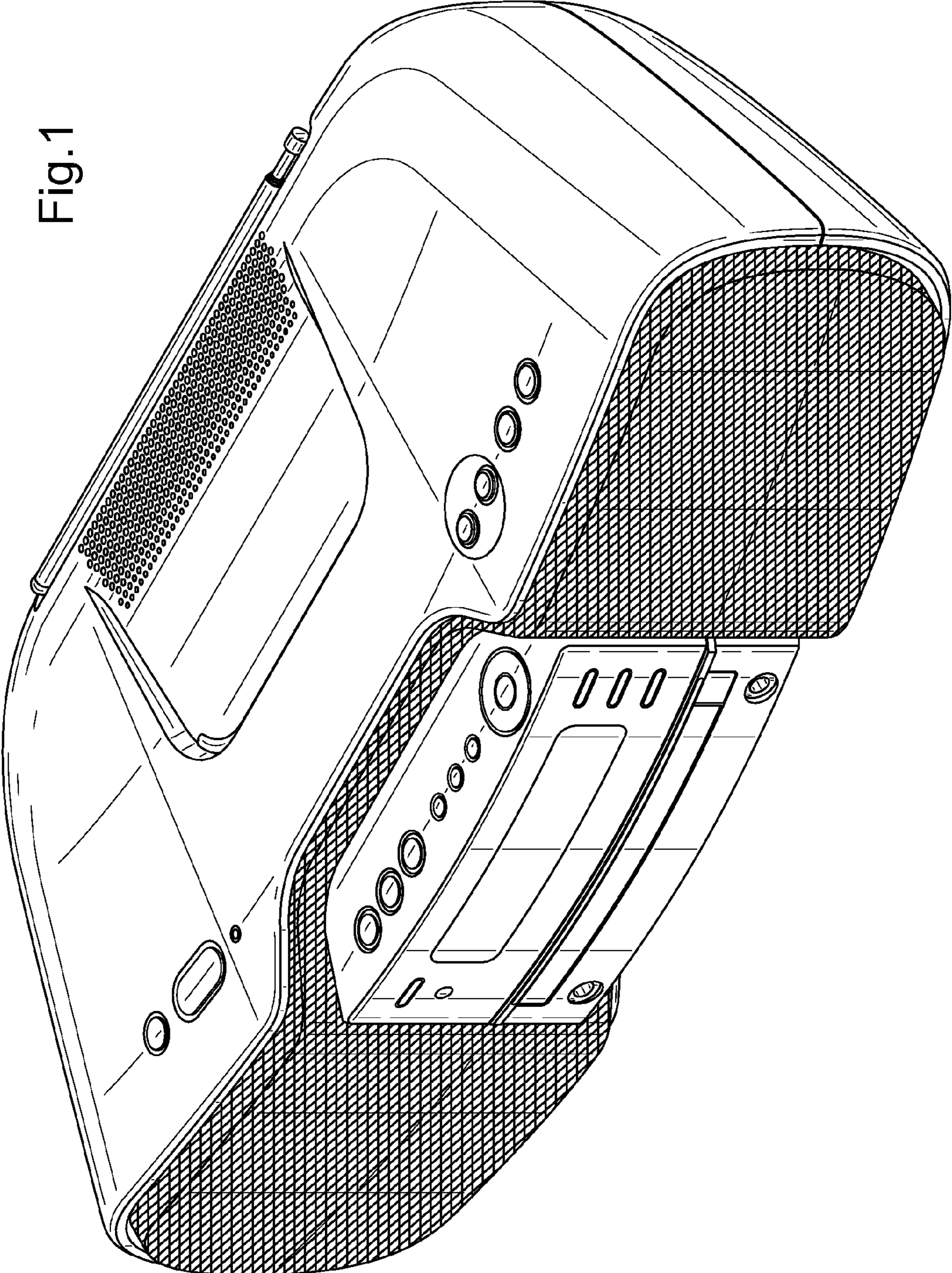


Fig.2

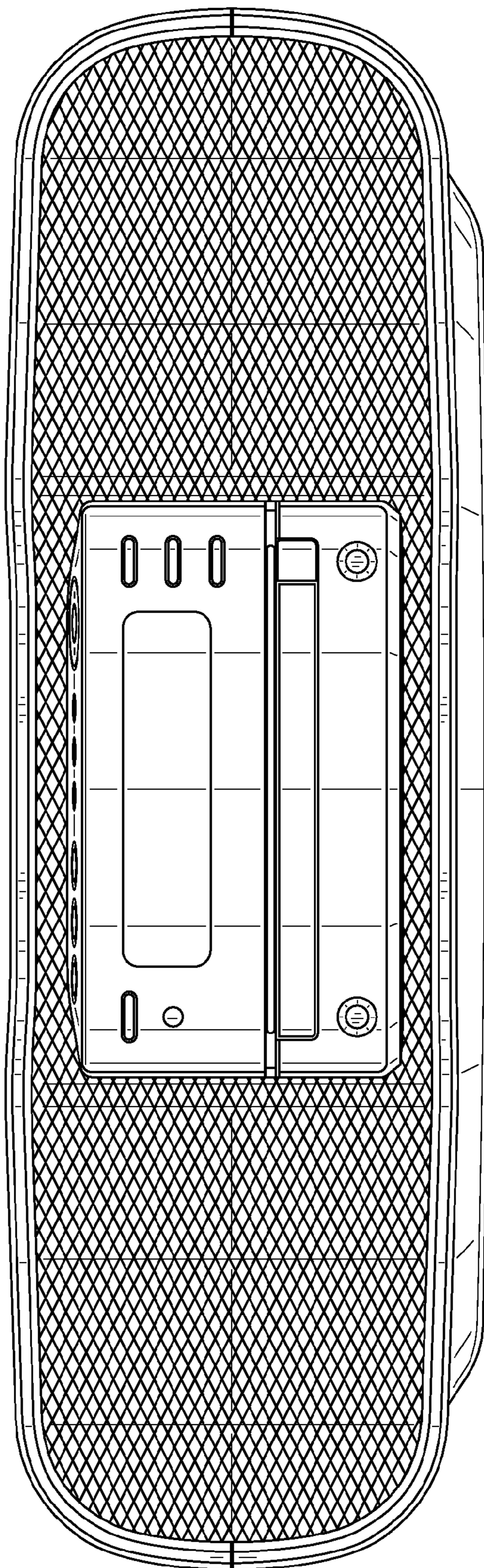


Fig.3

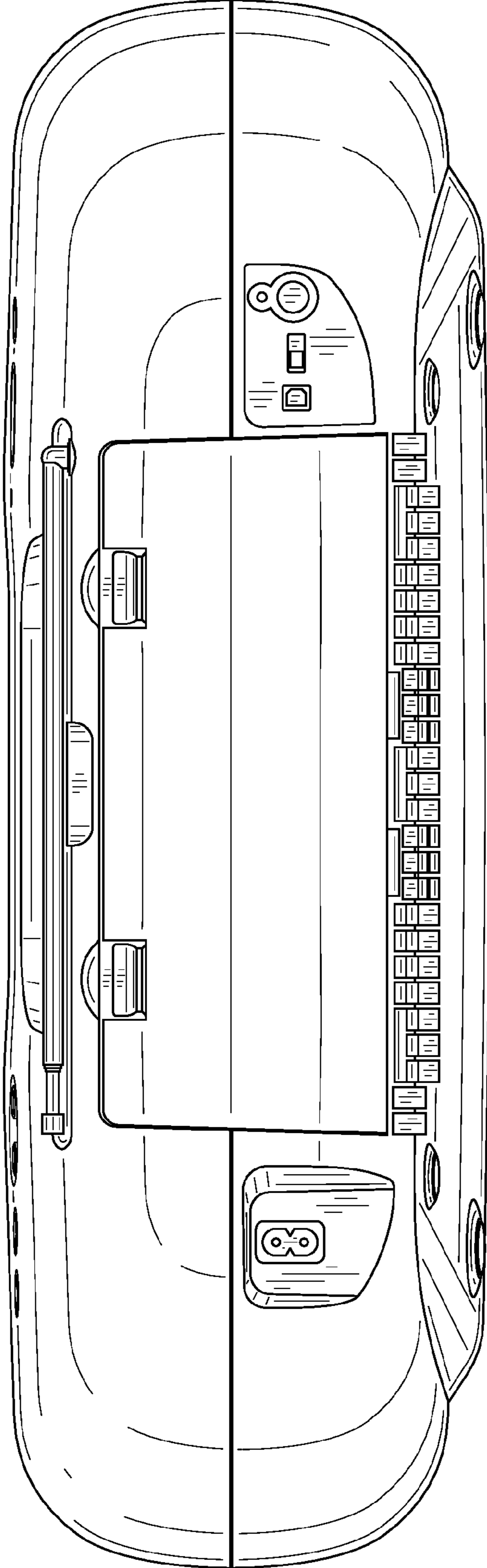


Fig.4

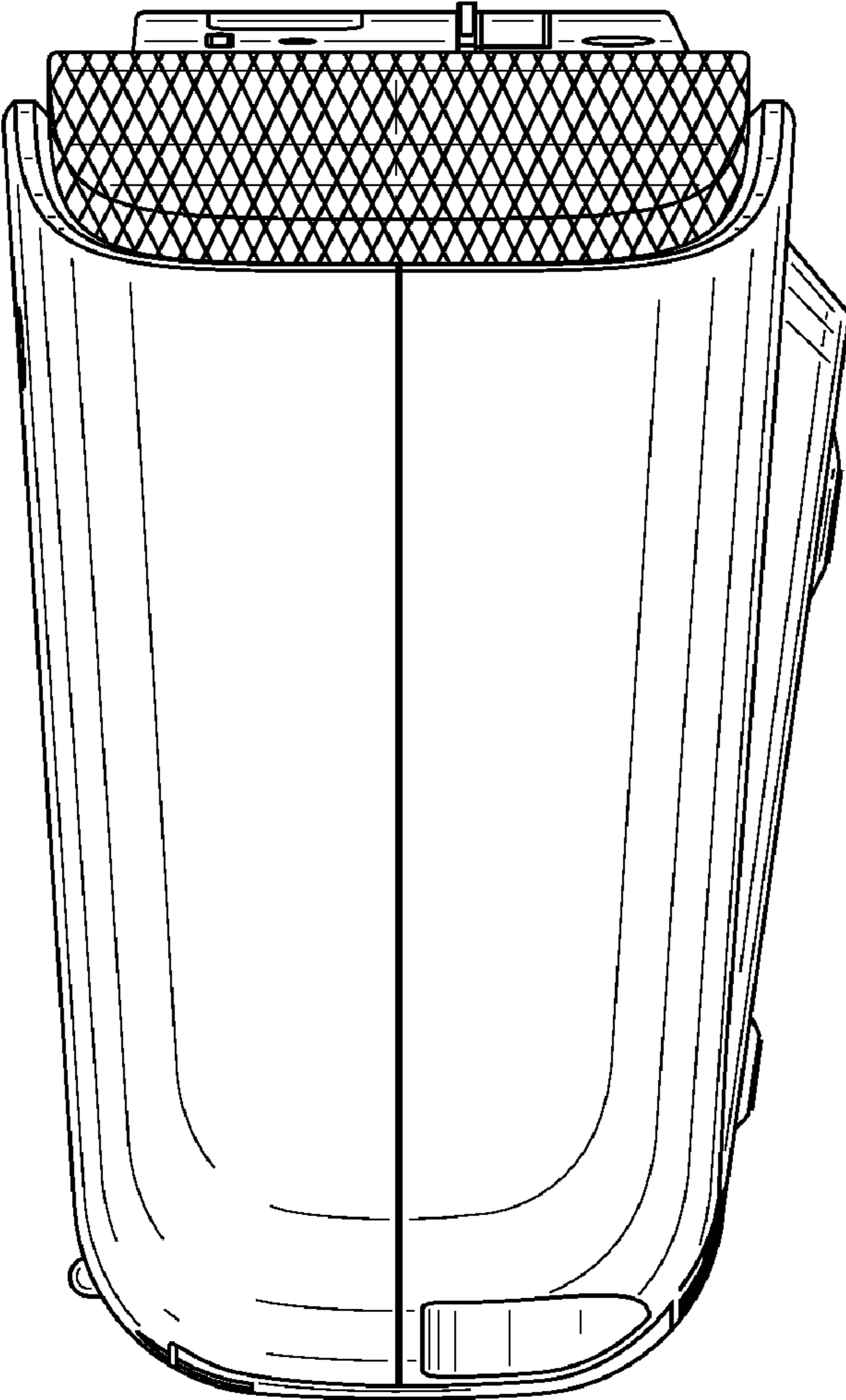


Fig.5

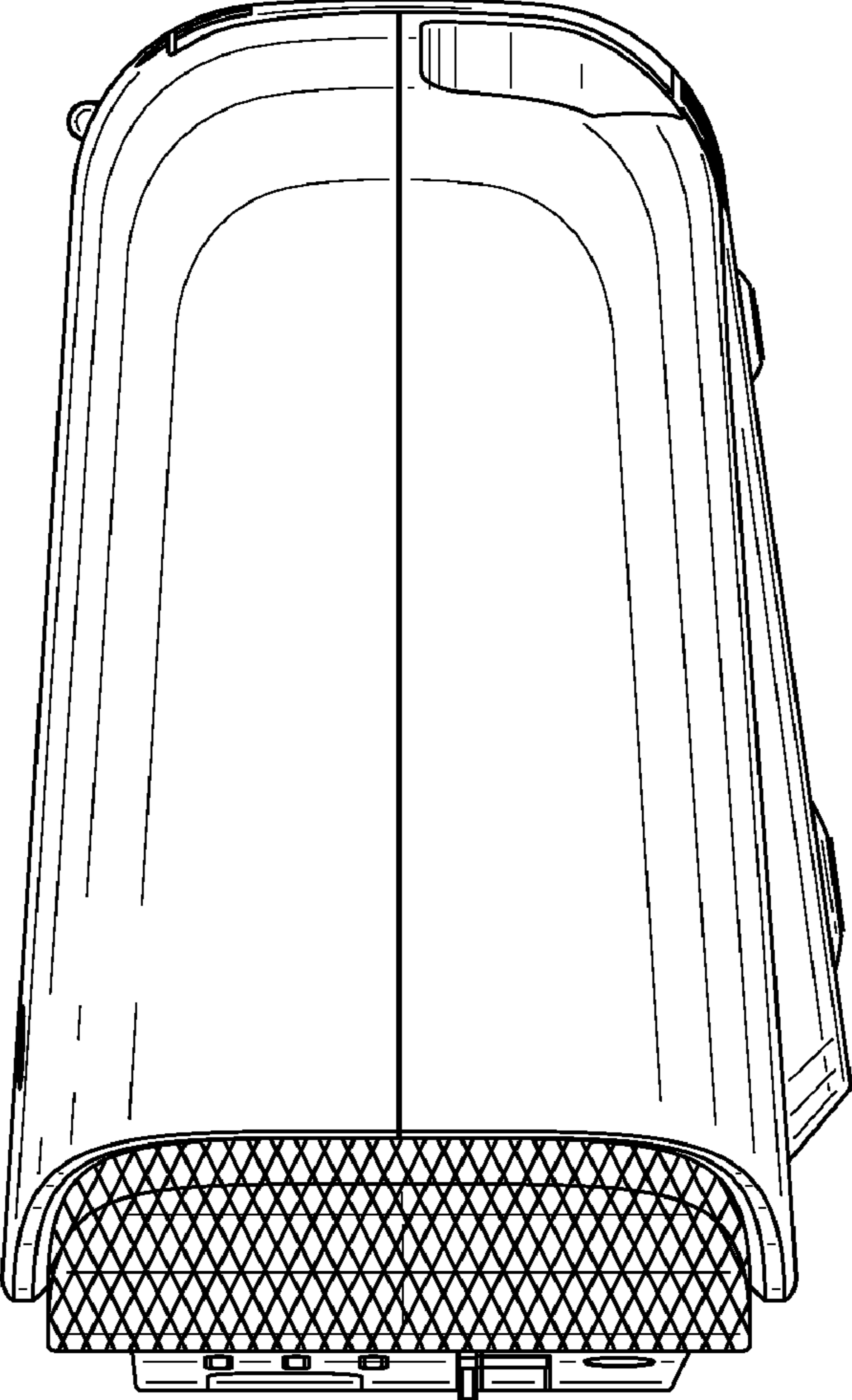


Fig.6

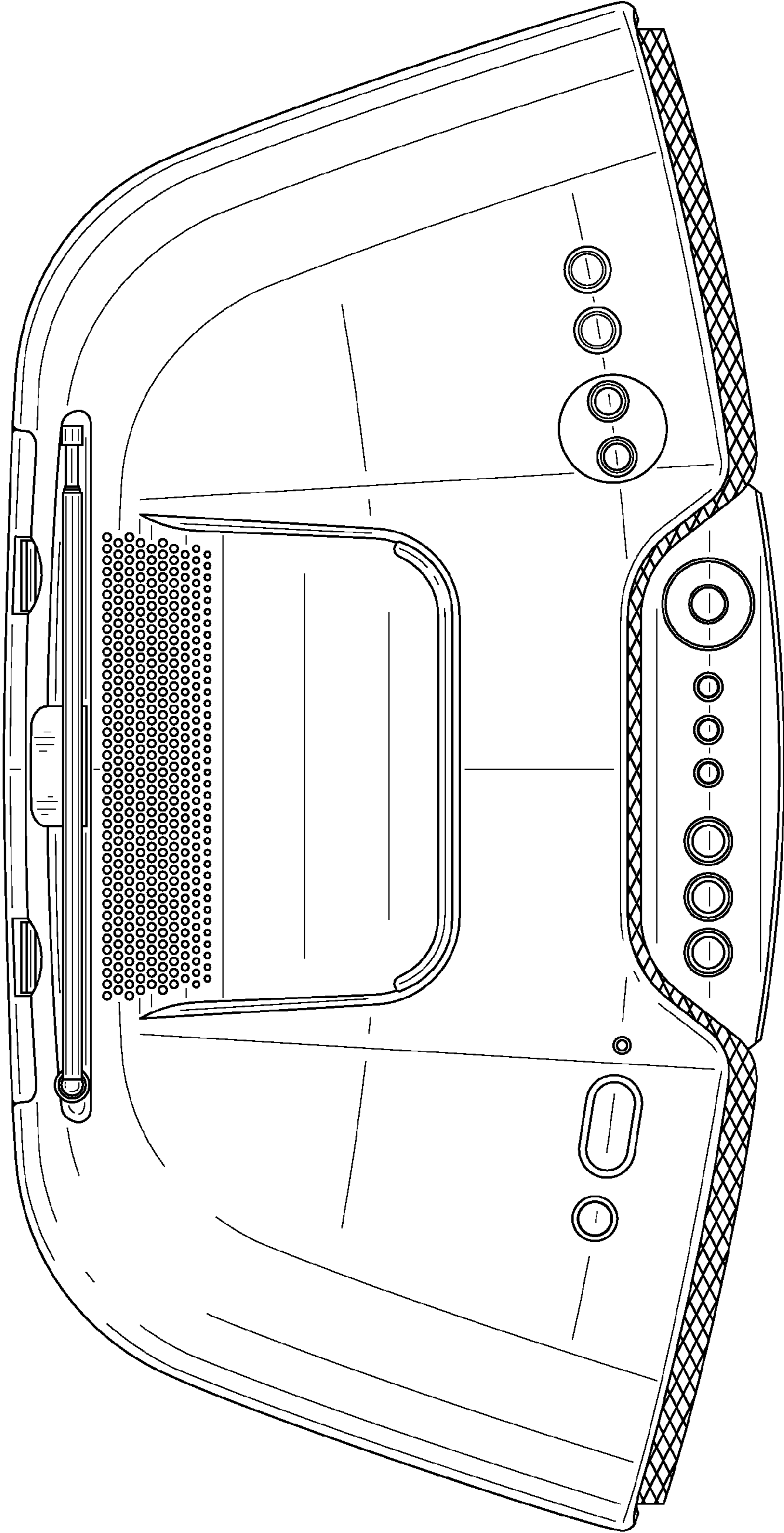


Fig. 7

