



US00D578505S

(12) **United States Design Patent**
Tejima et al.

(10) **Patent No.:** **US D578,505 S**
(45) **Date of Patent:** **** Oct. 14, 2008**

(54) **AMPLIFIER**

(75) Inventors: **Keisuke Tejima**, Tokyo (JP); **Yusuke Otani**, Tokyo (JP); **Jun Uchiyama**, Tokyo (JP); **Katsuhisa Hakoda**, Tokyo (JP)

(73) Assignee: **Sony Corporation**, Tokyo (JP)

(**) Term: **14 Years**

(21) Appl. No.: **29/294,166**

(22) Filed: **Dec. 27, 2007**

(30) **Foreign Application Priority Data**

Aug. 23, 2007 (JP) D2007-022799

(51) **LOC (8) Cl.** **14-03**

(52) **U.S. Cl.** **D14/188**

(58) **Field of Classification Search** D14/168,
D14/169, 179, 188, 194-198, 215, 217, 257,
D14/265, 299; 330/1 R, 3, 4, 250; 381/86,
381/120; 455/344-351

See application file for complete search history.

(56) **References Cited**

U.S. PATENT DOCUMENTS

D328,073 S * 7/1992 Yamakawa D14/168
D375,956 S * 11/1996 Shintani D14/197
D475,036 S * 5/2003 Tejima D14/168
D479,519 S * 9/2003 Hisatsune D14/168
D506,734 S 6/2005 Oikawa

D506,984 S 7/2005 Oikawa
D518,020 S 3/2006 Ishibashi
D523,023 S * 6/2006 Hsiung et al. D14/496
D530,689 S * 10/2006 Ishibashi D14/136
D538,256 S 3/2007 Yoshida
D547,288 S * 7/2007 Hakoda D14/136
D554,602 S * 11/2007 Hakoda D14/136
D564,493 S * 3/2008 Tejima D14/168
D568,865 S * 5/2008 Wada et al. D14/168

* cited by examiner

Primary Examiner—Stella M. Reid

Assistant Examiner—Keli L Acker

(74) *Attorney, Agent, or Firm*—Rader, Fishman & Grauer, PLLC

(57) **CLAIM**

The ornamental design for an amplifier, as shown.

DESCRIPTION

FIG. 1 is a perspective view of an amplifier showing our new design;

FIG. 2 is a front elevational view thereof;

FIG. 3 is a rear elevational view thereof;

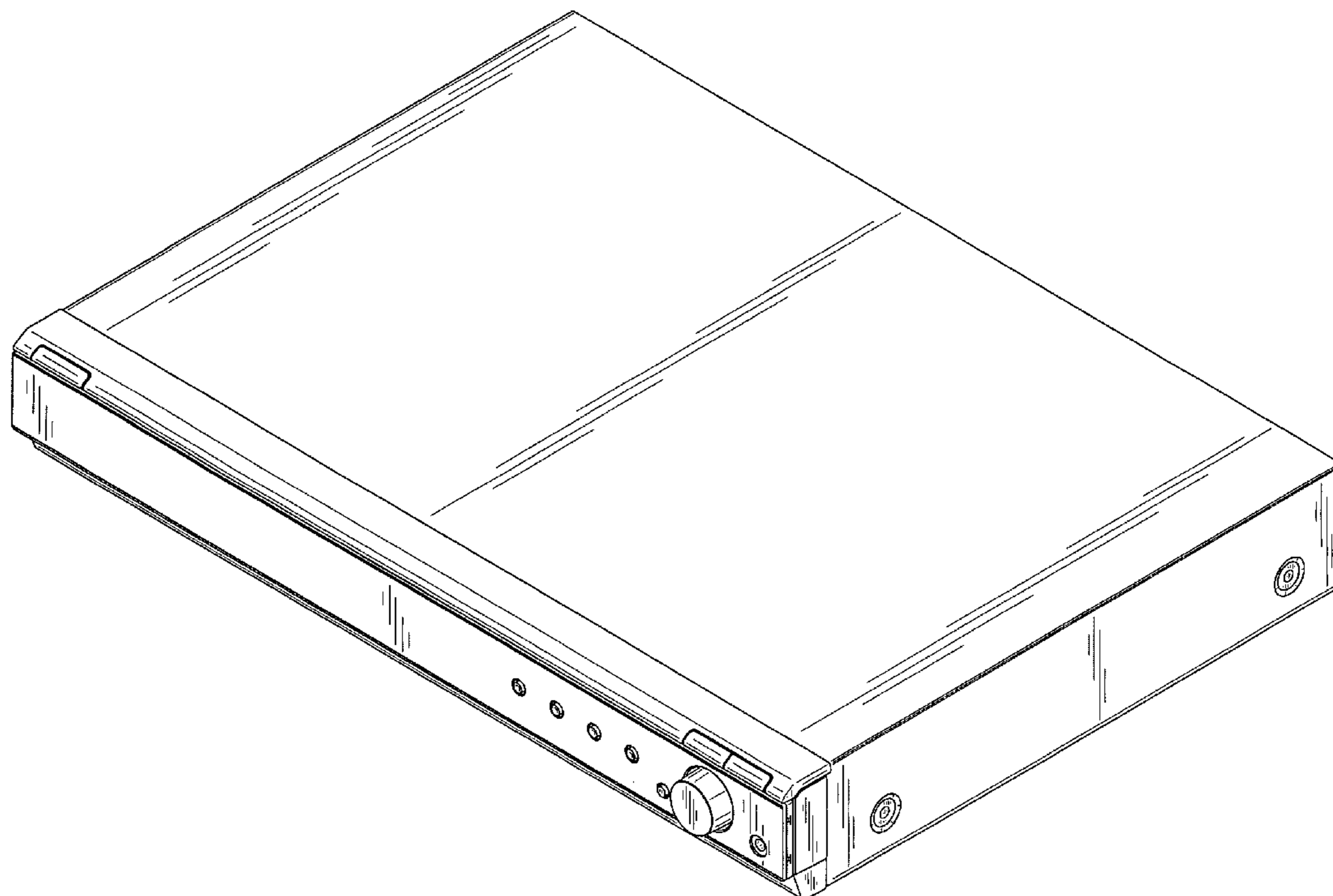
FIG. 4 is a left side elevational view thereof;

FIG. 5 is a right side elevational view thereof;

FIG. 6 is a top plan view thereof; and,

FIG. 7 is a bottom plan view thereof.

1 Claim, 7 Drawing Sheets



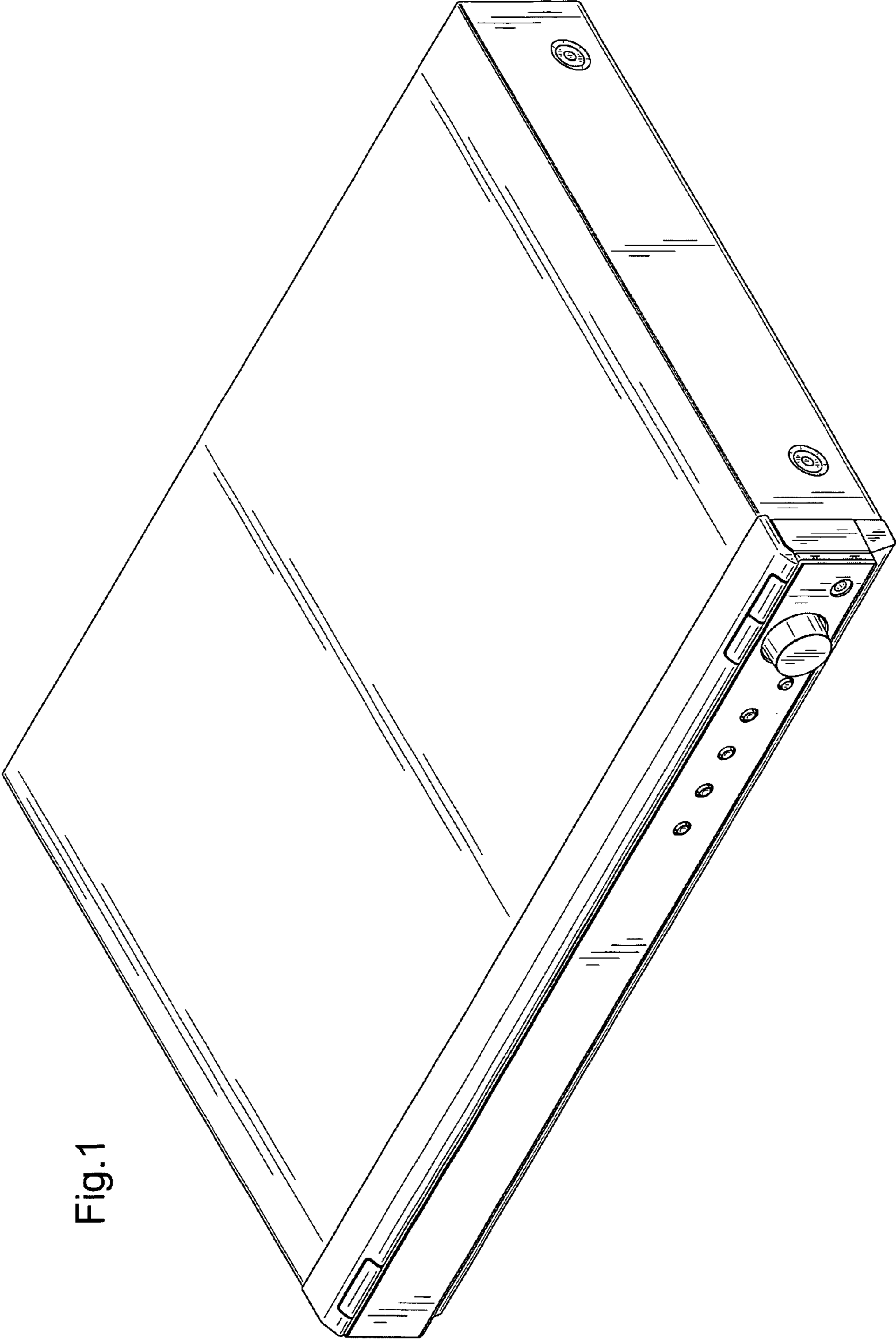


Fig.1

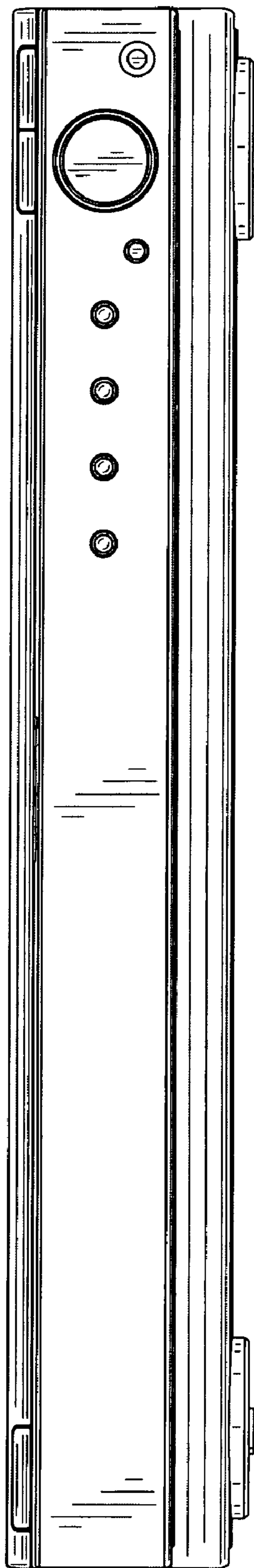


Fig.2

Fig.3

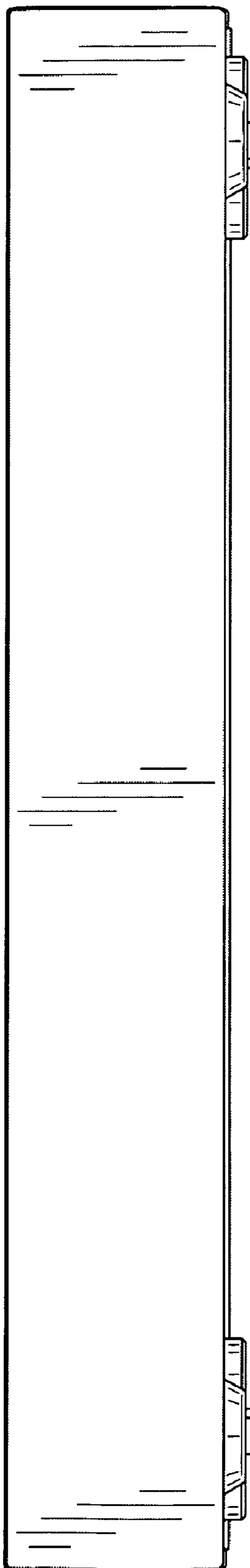


Fig.4

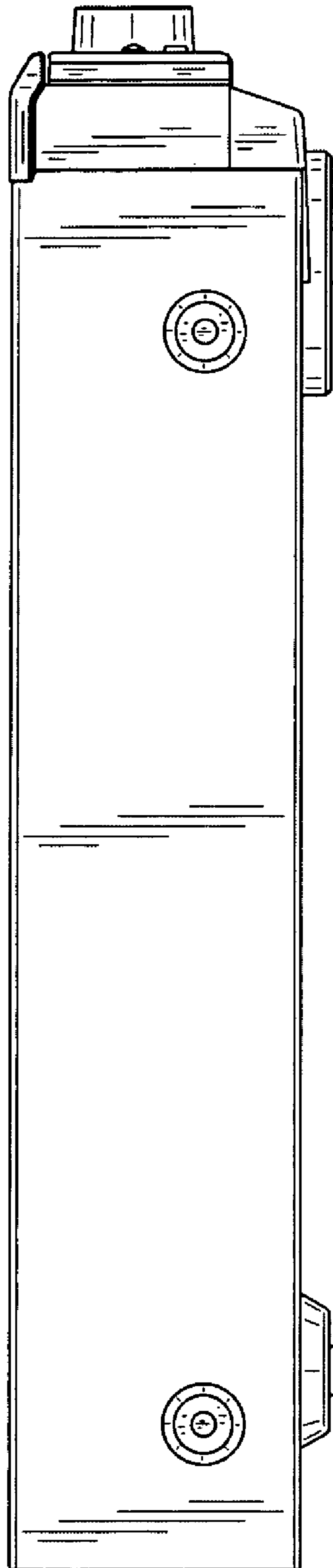
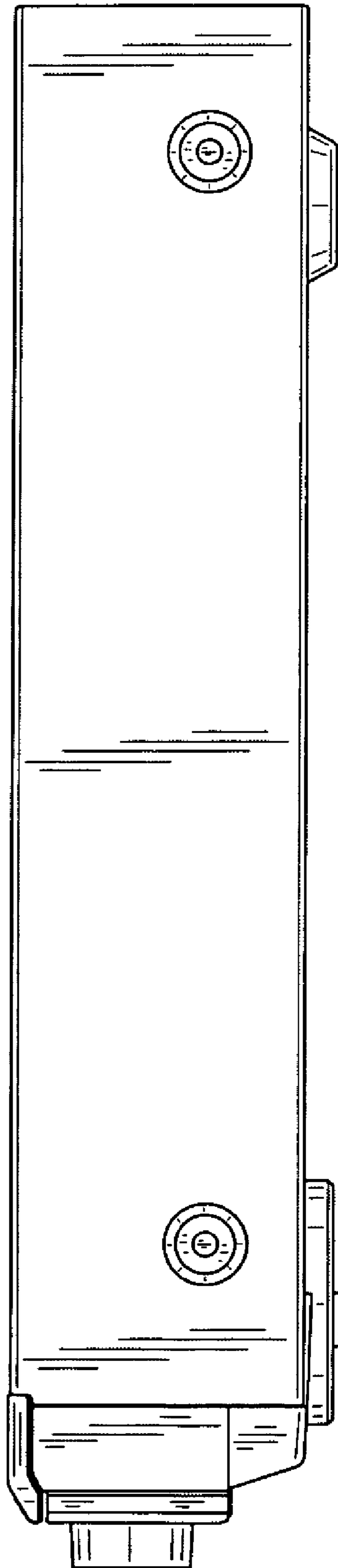


Fig. 5



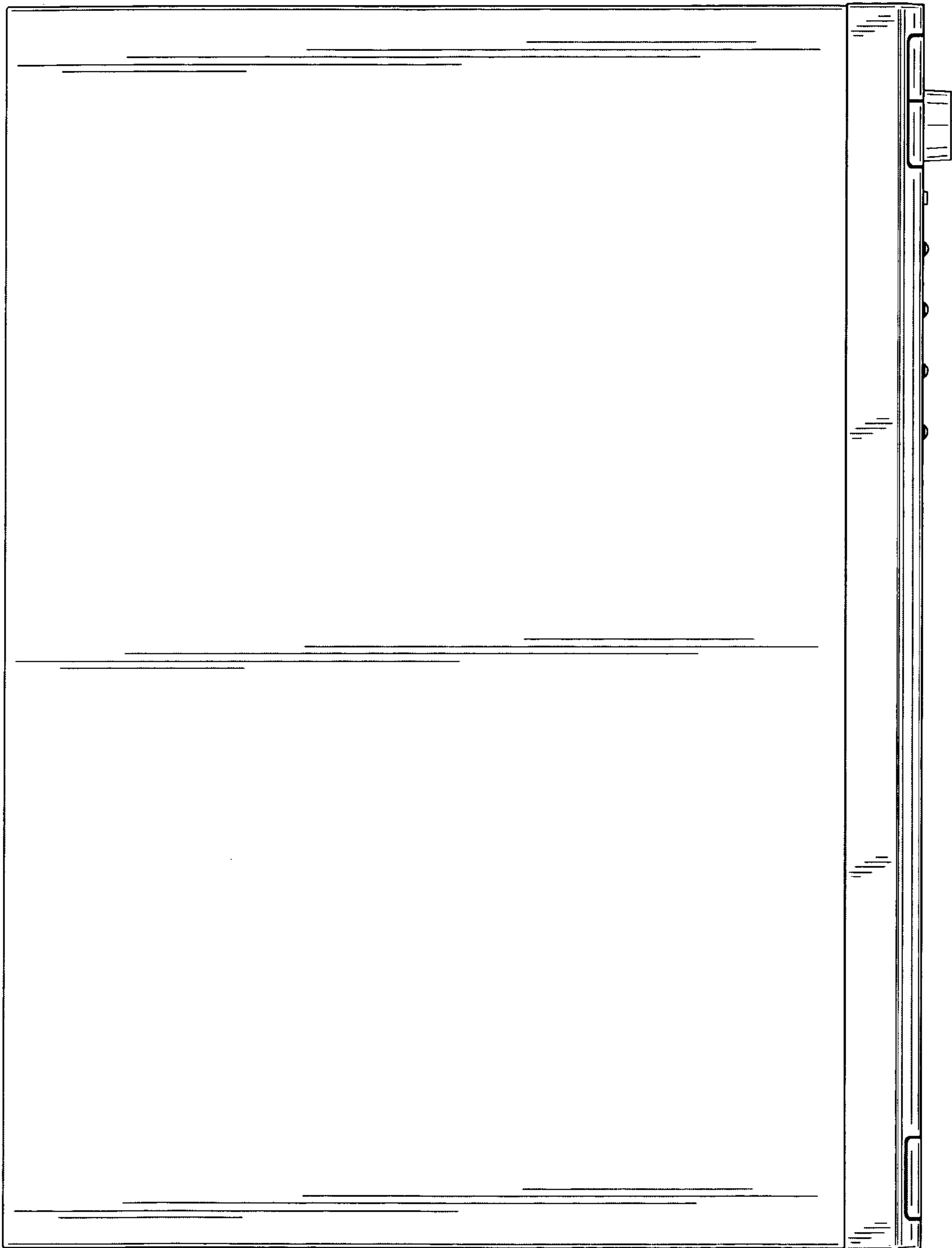


Fig.6

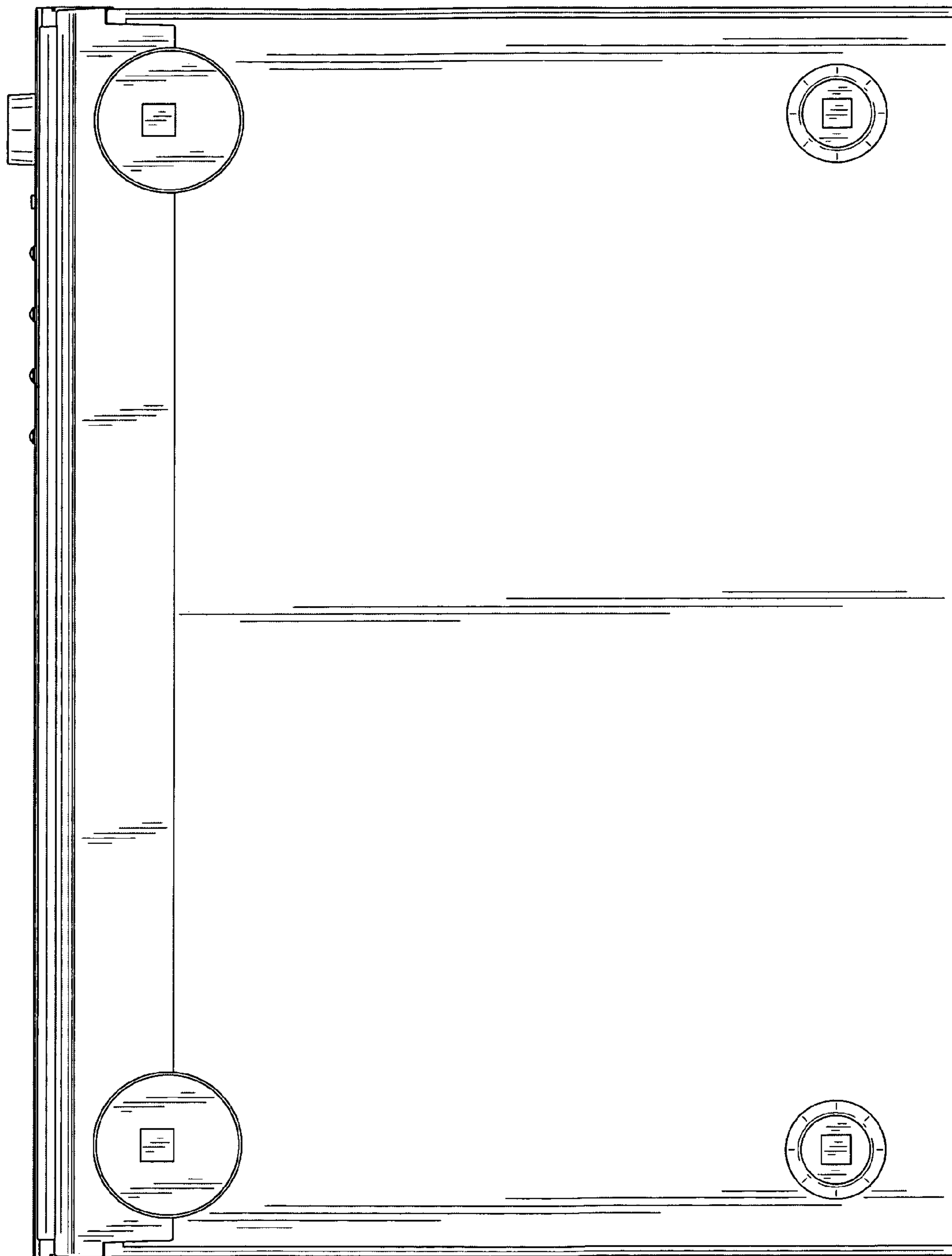


Fig. 7