



US00D578497S

(12) **United States Design Patent**  
**Weinzierl et al.**

(10) **Patent No.:** **US D578,497 S**

(45) **Date of Patent:** **\*\* Oct. 14, 2008**

(54) **HAND-HELD WIRELESS DEVICE**

(75) Inventors: **Mark A. Weinzierl**, Frisco, TX (US);  
**Max Probasco**, Plano, TX (US); **Sean Dobson**, Carrollton, TX (US); **Clae Templet**, Plano, TX (US); **Jim Monti**, Plano, TX (US); **Katie Pilipchik**, Plano, TX (US)

(73) Assignee: **Modeci, Inc.**, Plano, TX (US)

(\*\*) Term: **14 Years**

(21) Appl. No.: **29/235,355**

(22) Filed: **Aug. 1, 2005**

**Related U.S. Application Data**

(63) Continuation-in-part of application No. 10/962,158, filed on Oct. 8, 2004.

(51) **LOC (8) Cl.** ..... **14-03**

(52) **U.S. Cl.** ..... **D14/138**

(58) **Field of Classification Search** ..... D14/137-138,  
D14/147-148, 156, 218, 247-248, 341-347,  
D14/496; D16/208; D21/329, 331, 333,  
D21/517; 348/14.01-14.02; 361/814; 379/433.01-433.13;  
455/90.3, 556.1-556.2, 566, 575.1, 575.3,  
455/575.4

See application file for complete search history.

(56) **References Cited**

**U.S. PATENT DOCUMENTS**

D197,466	S	*	2/1964	Spilman	.....	D14/225
D219,028	S	*	10/1970	Miller	.....	D14/218
5,351,051	A	*	9/1994	Yano et al.	.....	341/176
D371,126	S	*	6/1996	Bro	.....	D14/138
D379,456	S	*	5/1997	Osiecki	.....	D14/167
D392,336	S	*	3/1998	Liu	.....	D21/329
D483,281	S	*	12/2003	Cobigo	.....	D10/104
D487,733	S	*	3/2004	Lucaci et al.	.....	D14/138
D488,142	S	*	4/2004	Wang et al.	.....	D14/138
D490,787	S	*	6/2004	Aisenberg	.....	D14/138

D496,638	S	*	9/2004	Deubler, Jr.	.....	D14/138
D497,601	S	*	10/2004	Brandis	.....	D14/138
D498,219	S	*	11/2004	Hamann	.....	D14/138
D500,015	S	*	12/2004	Gubbe	.....	D13/168
D506,989	S	*	7/2005	Seil et al.	.....	D14/155
D515,058	S	*	2/2006	Boyd	.....	D14/138
D519,478	S	*	4/2006	Lee et al.	.....	D14/138
D525,962	S	*	8/2006	Elson	.....	D14/149
D534,889	S	*	1/2007	Cheng	.....	D14/138
D542,256	S	*	5/2007	Chen	.....	D14/138
D561,159	S	*	2/2008	Heng et al.	.....	D14/138
D567,790	S	*	4/2008	Cardoso et al.	.....	D14/138
2003/0122784	A1	*	7/2003	Shkolnikov	.....	345/169
2004/0224717	A1	*	11/2004	Hertzberg et al.	.....	455/550.1

\* cited by examiner

*Primary Examiner*—Ian Simmons

*Assistant Examiner*—Carla Wright

(74) *Attorney, Agent, or Firm*—Robert D. McCutcheon

(57) **CLAIM**

The ornamental design for a hand-held wireless device, as shown and described.

**DESCRIPTION**

FIG. 1 is a top right perspective view of a hand-held wireless device showing our new design;

FIG. 2 is a top left perspective view thereof;

FIG. 3 is a bottom perspective view thereof;

FIG. 4 is a top plan view thereof;

FIG. 5 is a bottom plan view thereof;

FIG. 6 is a front elevation view thereof;

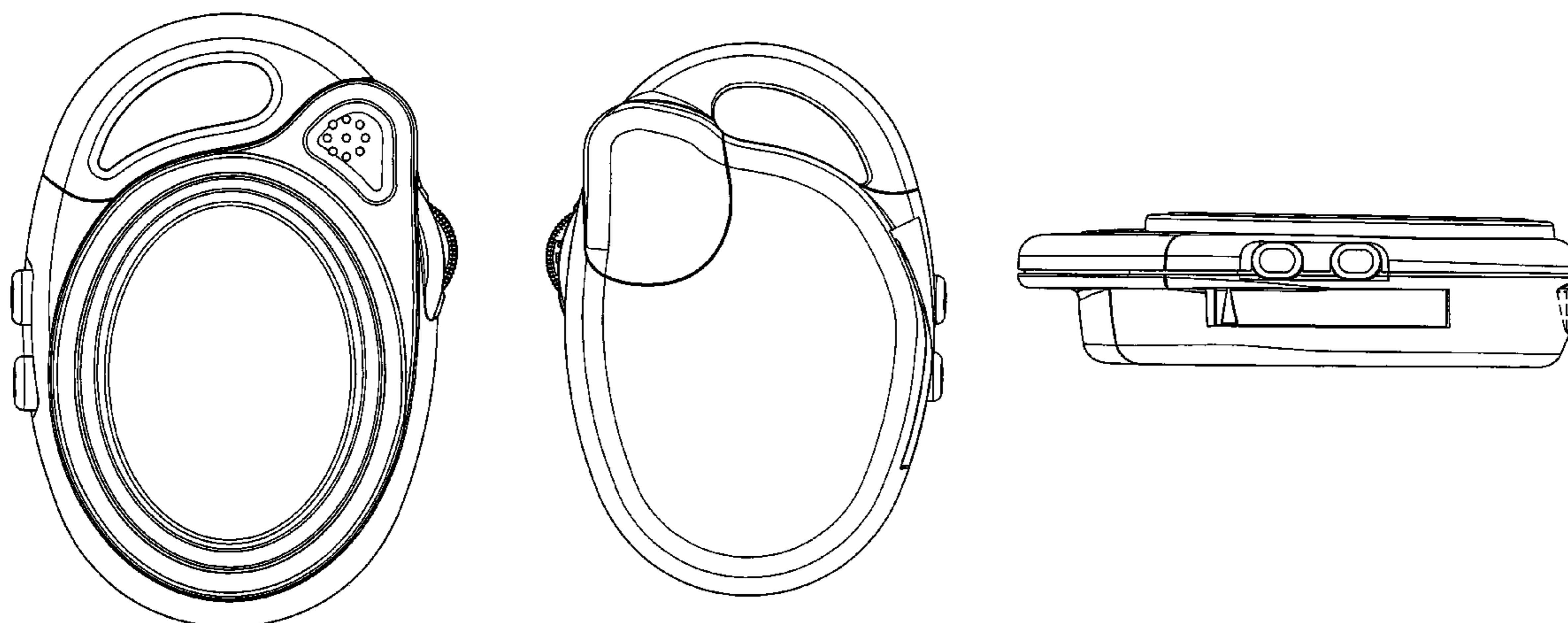
FIG. 7 is a left side elevation view thereof;

FIG. 8 is a rear elevation view thereof; and,

FIG. 9 is a right side elevation view thereof.

The broken line showing of environmental structures is for illustrative purposes only and forms no part of the claimed design

**1 Claim, 4 Drawing Sheets**



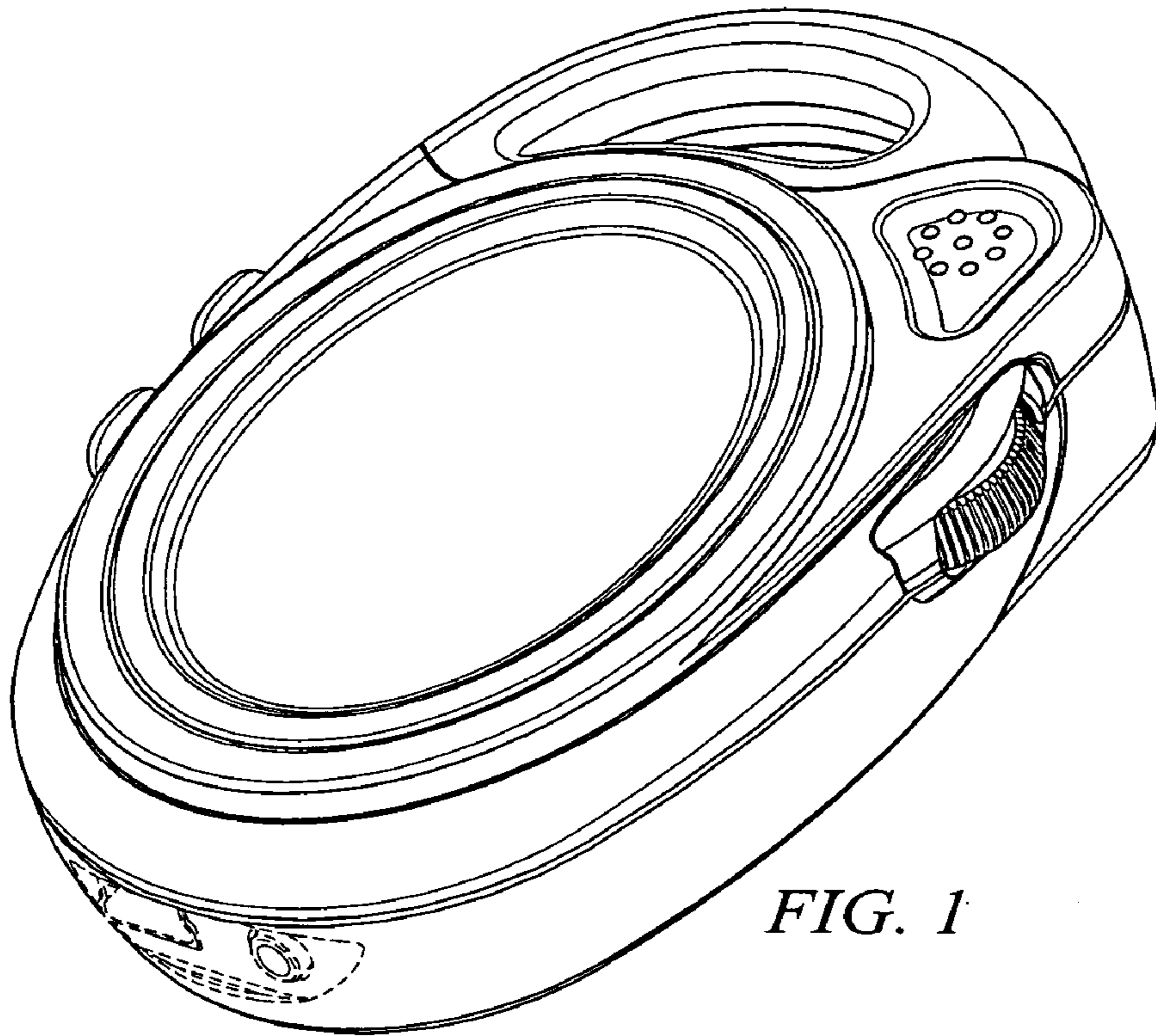


FIG. 1

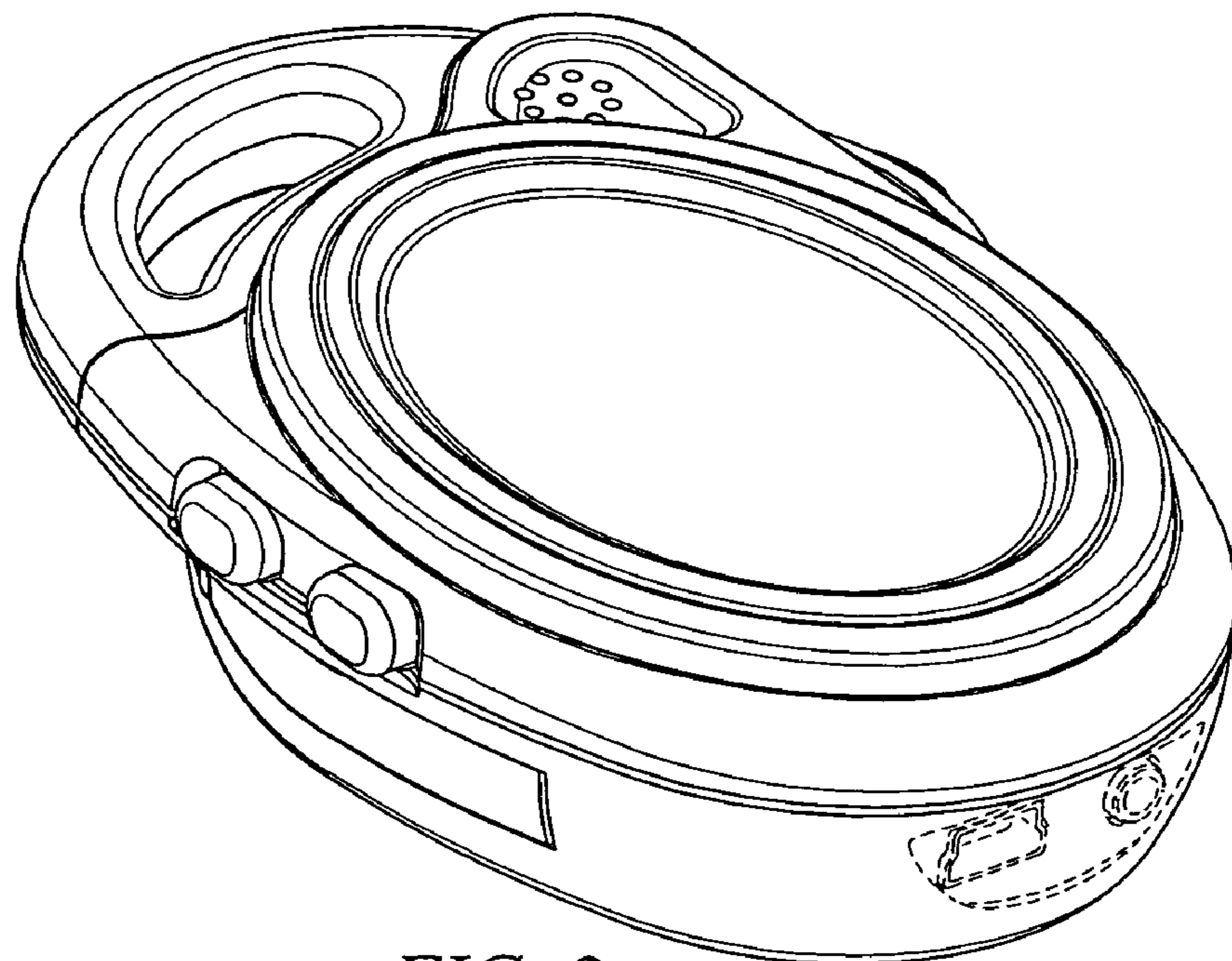


FIG. 2

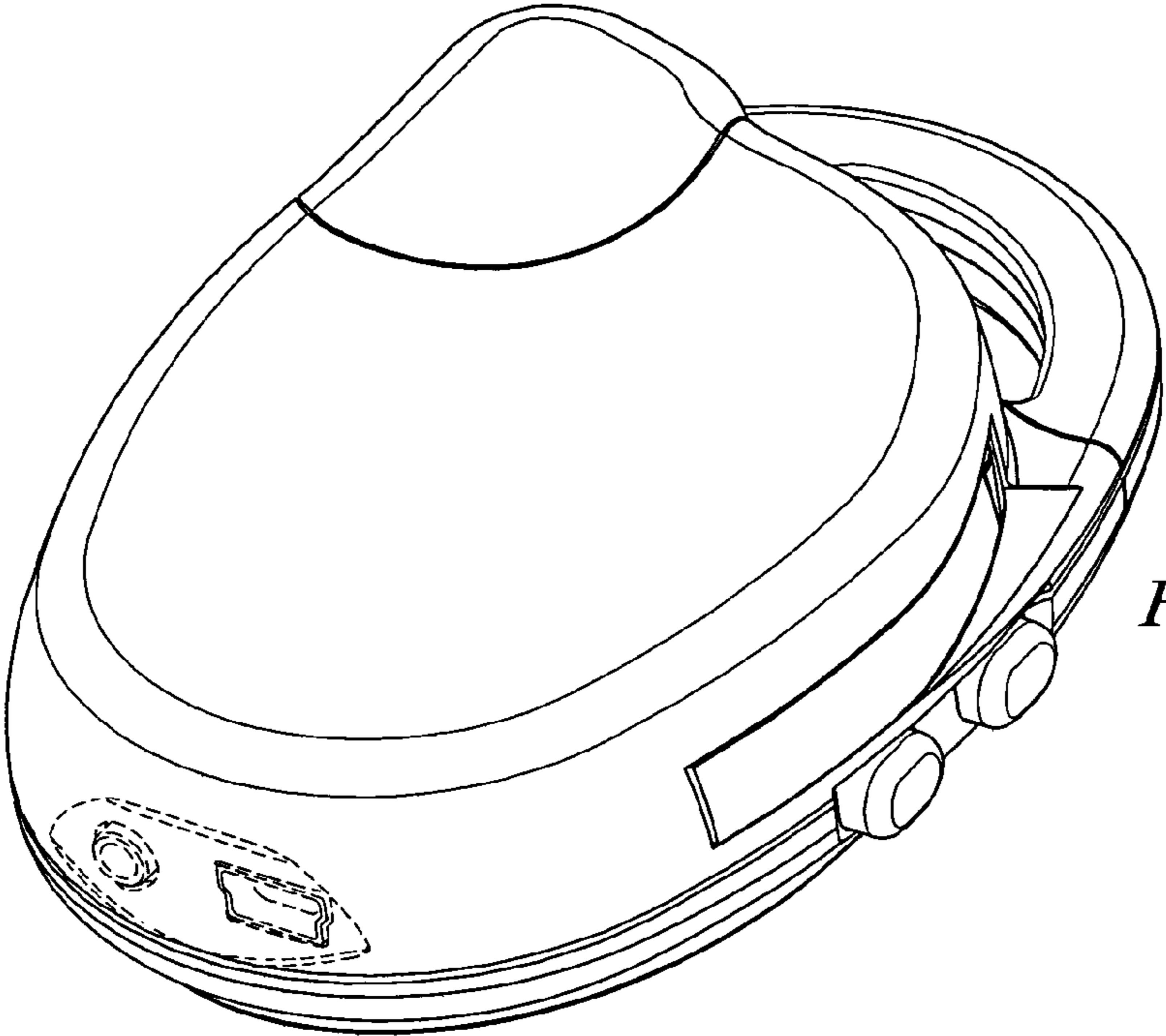


FIG. 3

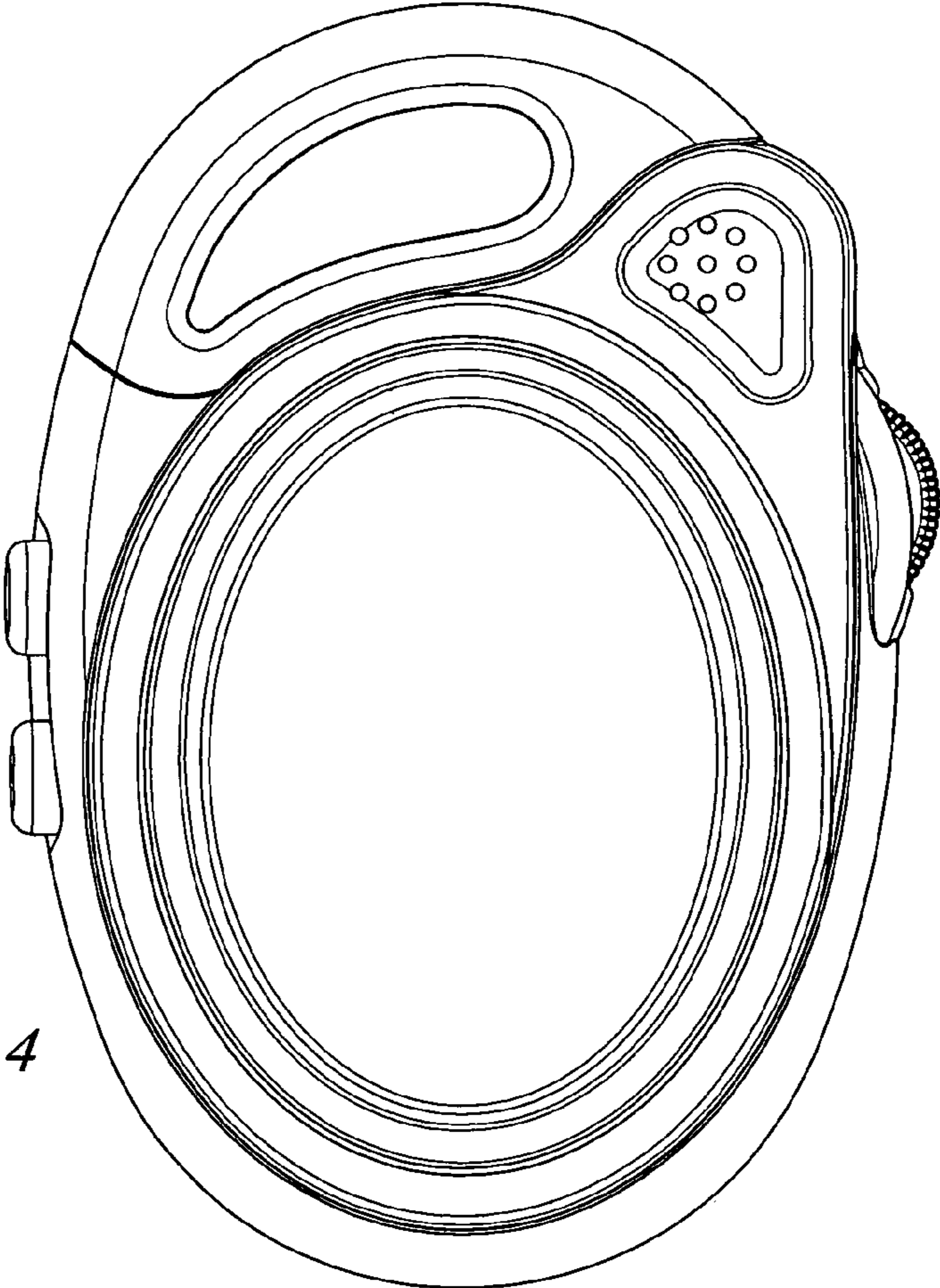


FIG. 4

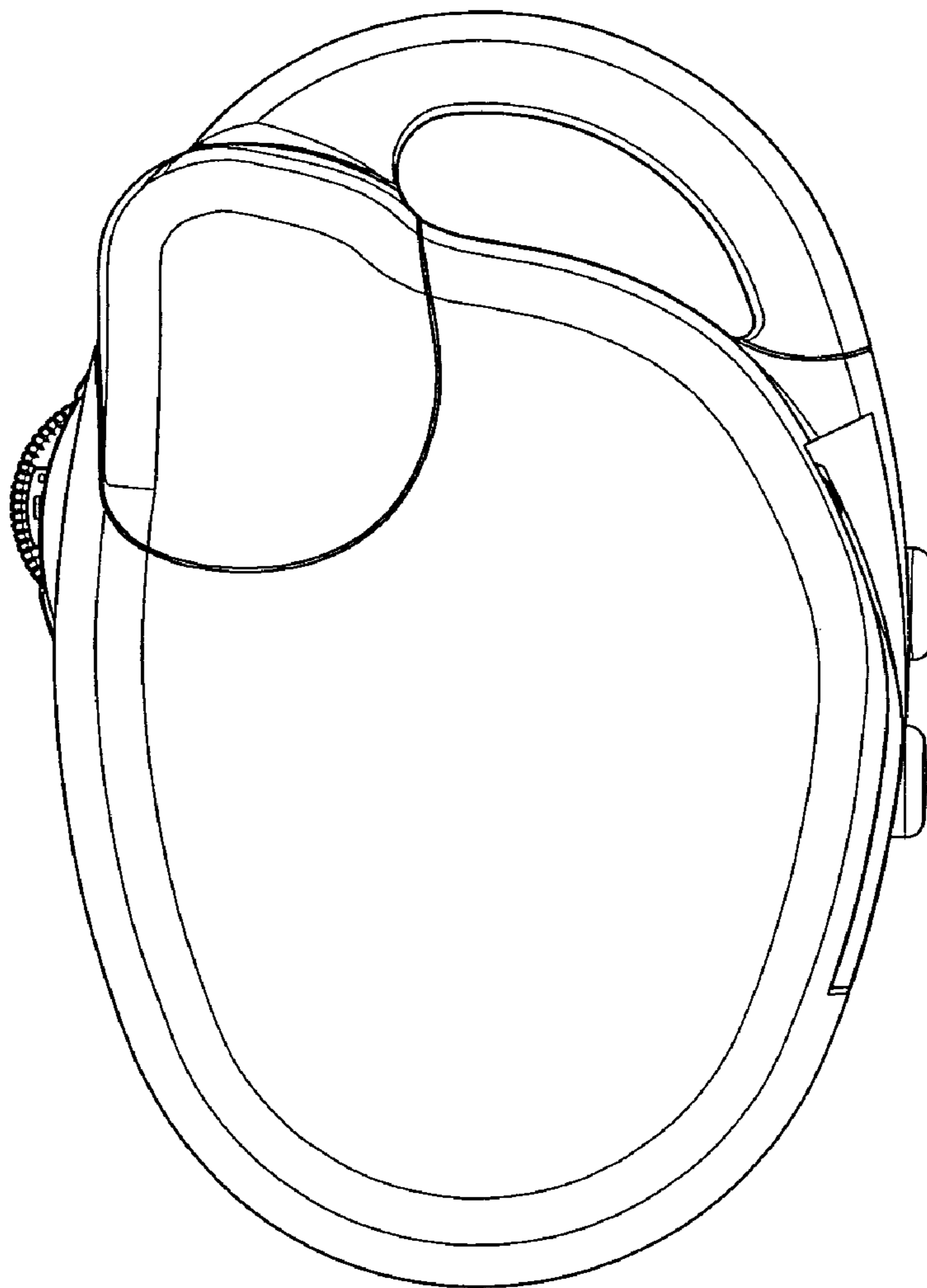


FIG. 5

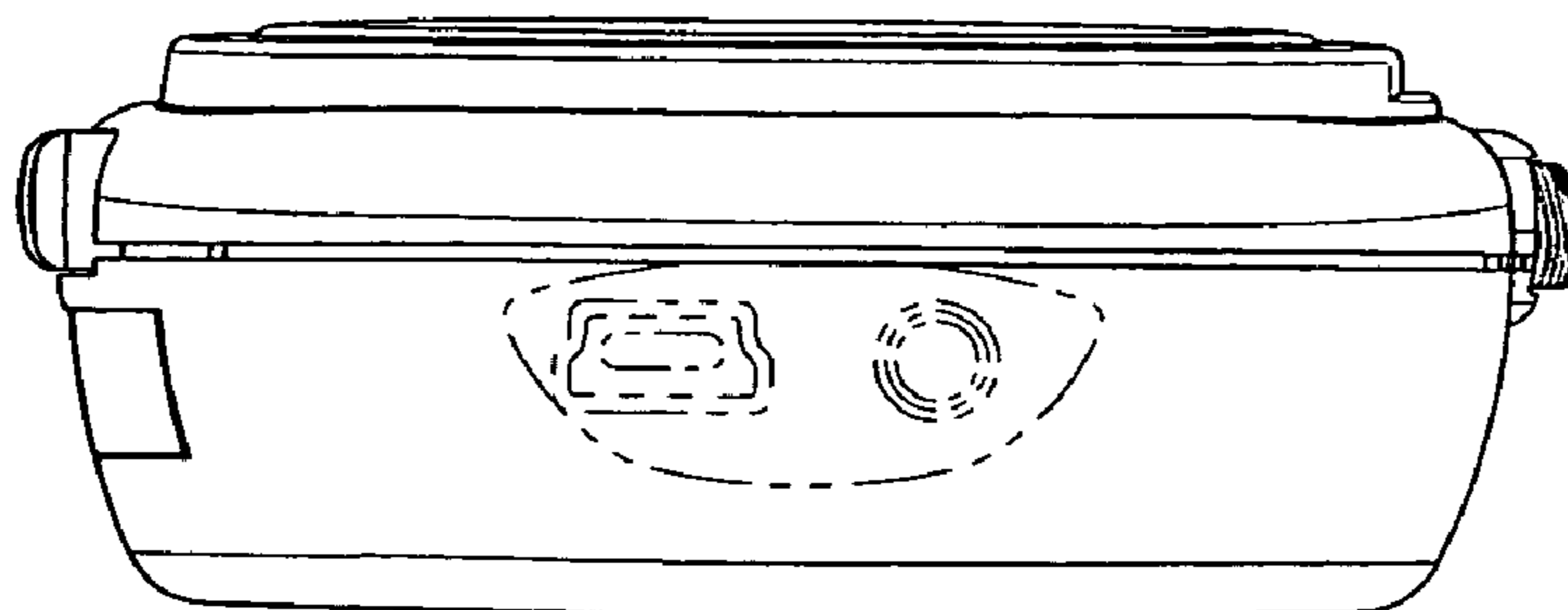


FIG. 6

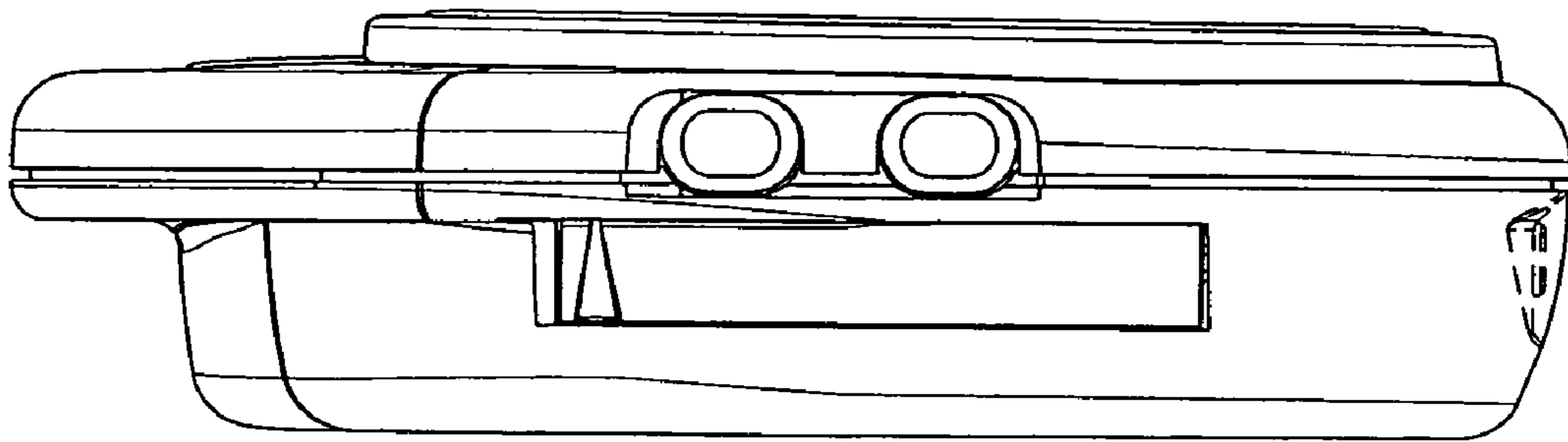


FIG. 7

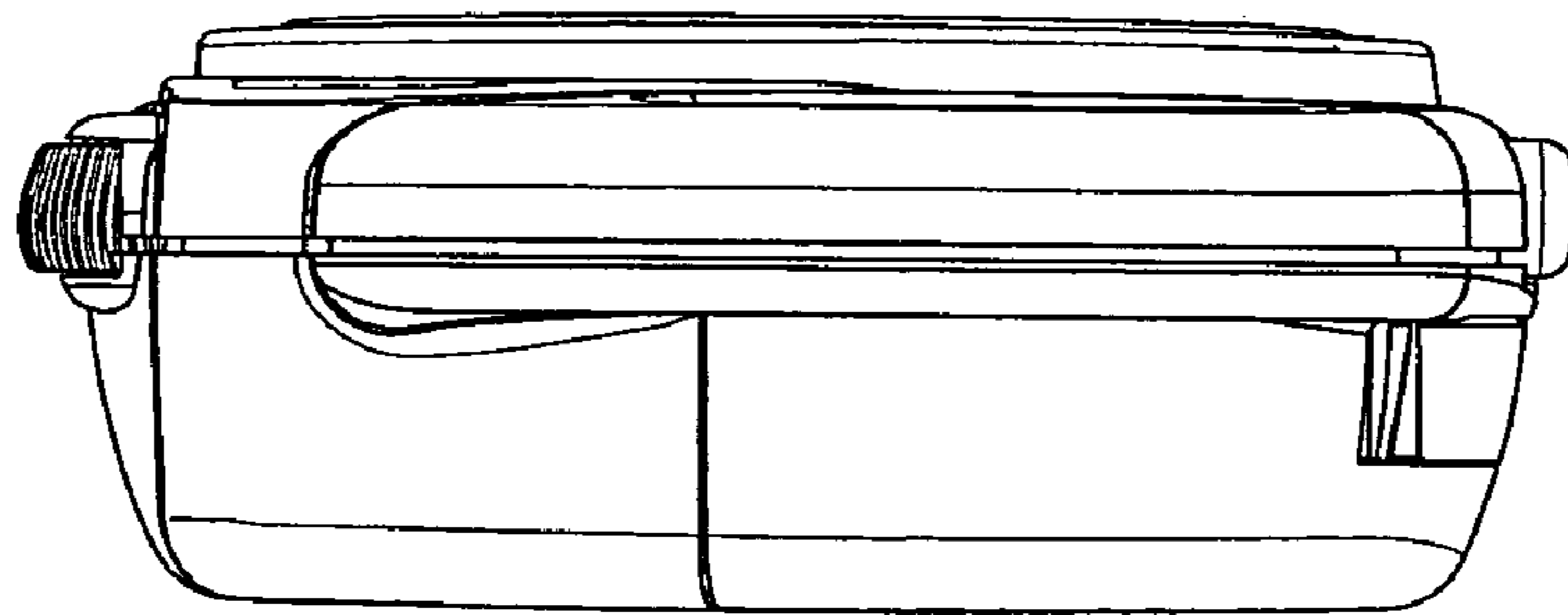


FIG. 8

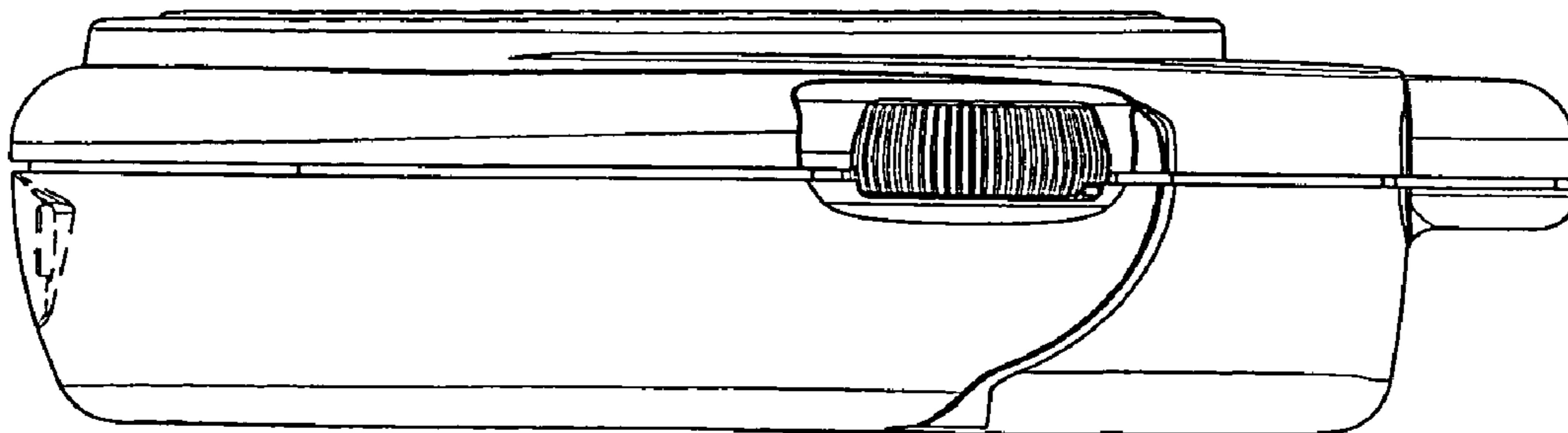


FIG. 9