

US00D578496S

(12) **United States Design Patent**
Leonard

(10) **Patent No.:** **US D578,496 S**
(45) **Date of Patent:** **** Oct. 14, 2008**

(54) **INFORMATION HANDLING SYSTEM**

(75) Inventor: **Brian Leonard**, Georgetown, TX (US)

(73) Assignee: **Dell Products L.P.**, Round Rock, TX (US)

(**) Term: **14 Years**

(21) Appl. No.: **29/297,110**

(22) Filed: **Nov. 5, 2007**

(51) **LOC (8) Cl.** **14-03**

(52) **U.S. Cl.** **D14/126**

(58) **Field of Classification Search** D14/125-134, D14/239, 371, 136, 374-377, 440, 450, 448, D14/336, 342; 312/7.2; 348/836, 838, 180, 348/184, 325, 739; 341/12; 248/917-924, 248/465; 345/104, 133, 156, 168, 87, 173; 720/605, 669, 600, 655; 369/99, 197; 455/344, 455/347; D21/329, 515, 577, 622, 333, 433, D21/448, 452, 450, 331; D6/477, 479; 273/148 B; 446/484, 175, 356; D10/15, 26
See application file for complete search history.

(56) **References Cited**

U.S. PATENT DOCUMENTS

D478,586 S	8/2003	Lee et al.	D14/349
D483,726 S	* 12/2003	Teng et al.	D14/129
D494,169 S	8/2004	Lin	D14/349
D497,146 S	* 10/2004	Asanuma et al.	D14/126
D497,162 S	10/2004	Neal et al.	D14/349
D497,352 S	* 10/2004	Asanuma et al.	D14/126

D504,895 S	5/2005	Frank et al.	D14/441
D531,593 S	* 11/2006	Overthun	D14/126
D536,677 S	* 2/2007	Kim et al.	D14/126
D537,801 S	* 3/2007	Qin et al.	D14/126
D540,755 S	* 4/2007	Asanuma et al.	D14/126
D541,236 S	* 4/2007	Kim et al.	D14/126
D546,787 S	* 7/2007	Tanigawa	D14/126

* cited by examiner

Primary Examiner—Raphael Barkai

(74) *Attorney, Agent, or Firm*—Hamilton & Terrile, LLP; Stephen A. Terrile

(57) **CLAIM**

We claim the ornamental design for an information handling system, as shown and described herein.

DESCRIPTION

FIG. 1 is a front perspective view of the information handling system comprising the present invention;

FIG. 2 is a front view thereof;

FIG. 3 is a right side view thereof;

FIG. 4 is a left side view thereof;

FIG. 5 is a back plan view thereof;

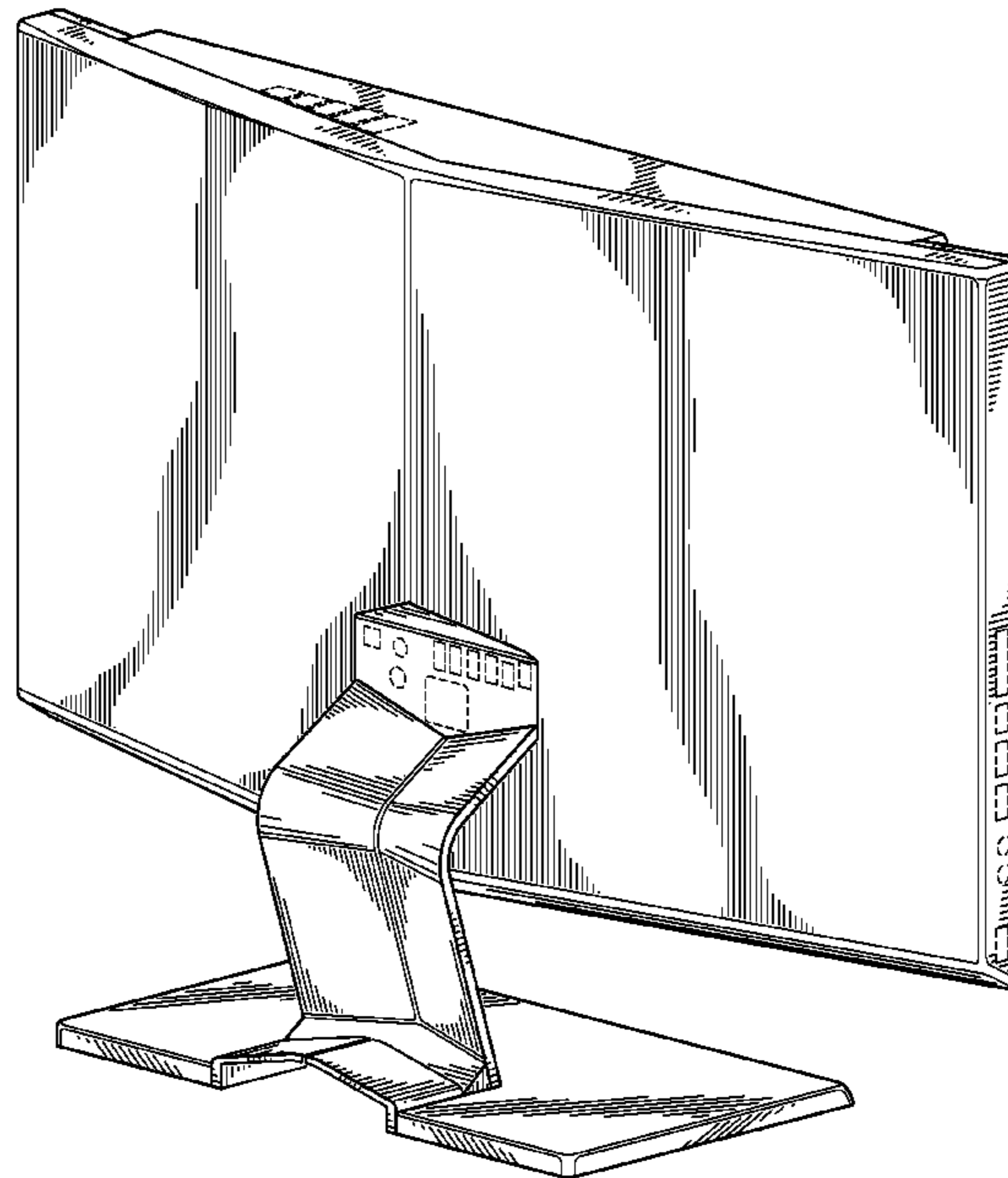
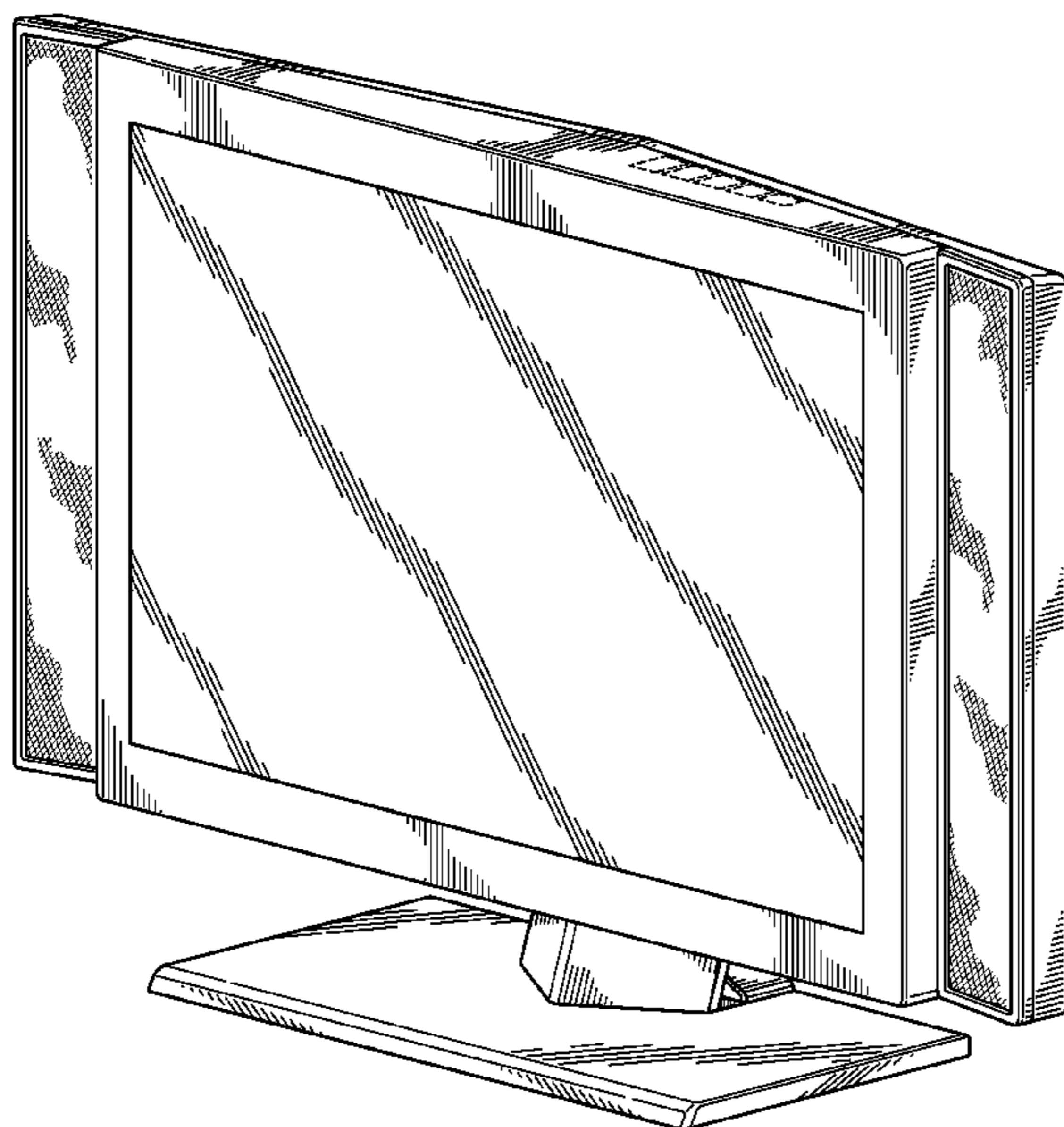
FIG. 6 is a top plan view thereof; and

FIG. 7 is a bottom plan view thereof; and,

FIG. 8 is a rear perspective view thereof.

The broken lines shown in the drawings are for illustrative purposes only and form no part of the claimed design.

1 Claim, 6 Drawing Sheets



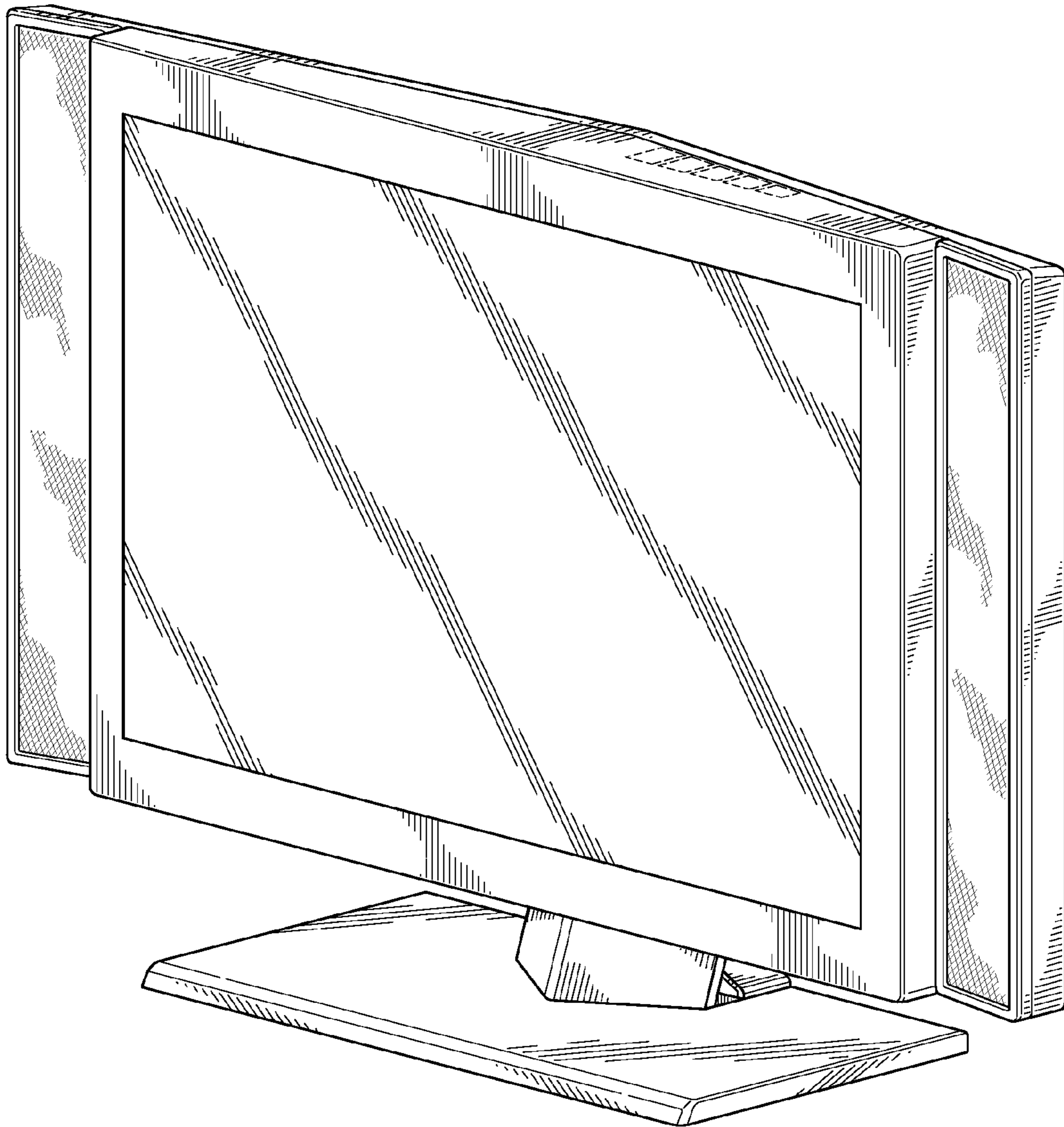


FIG. 1

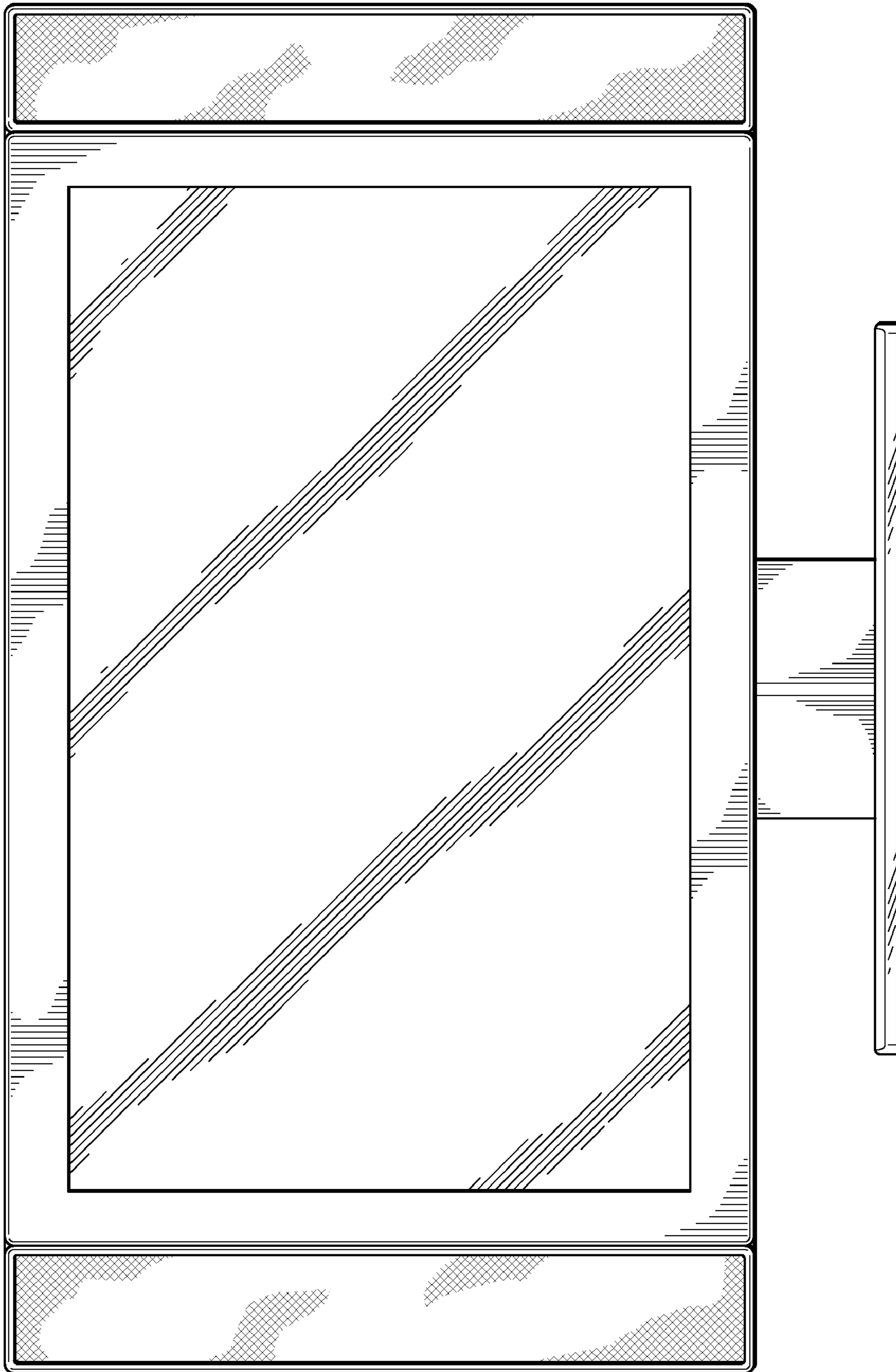


FIG. 2

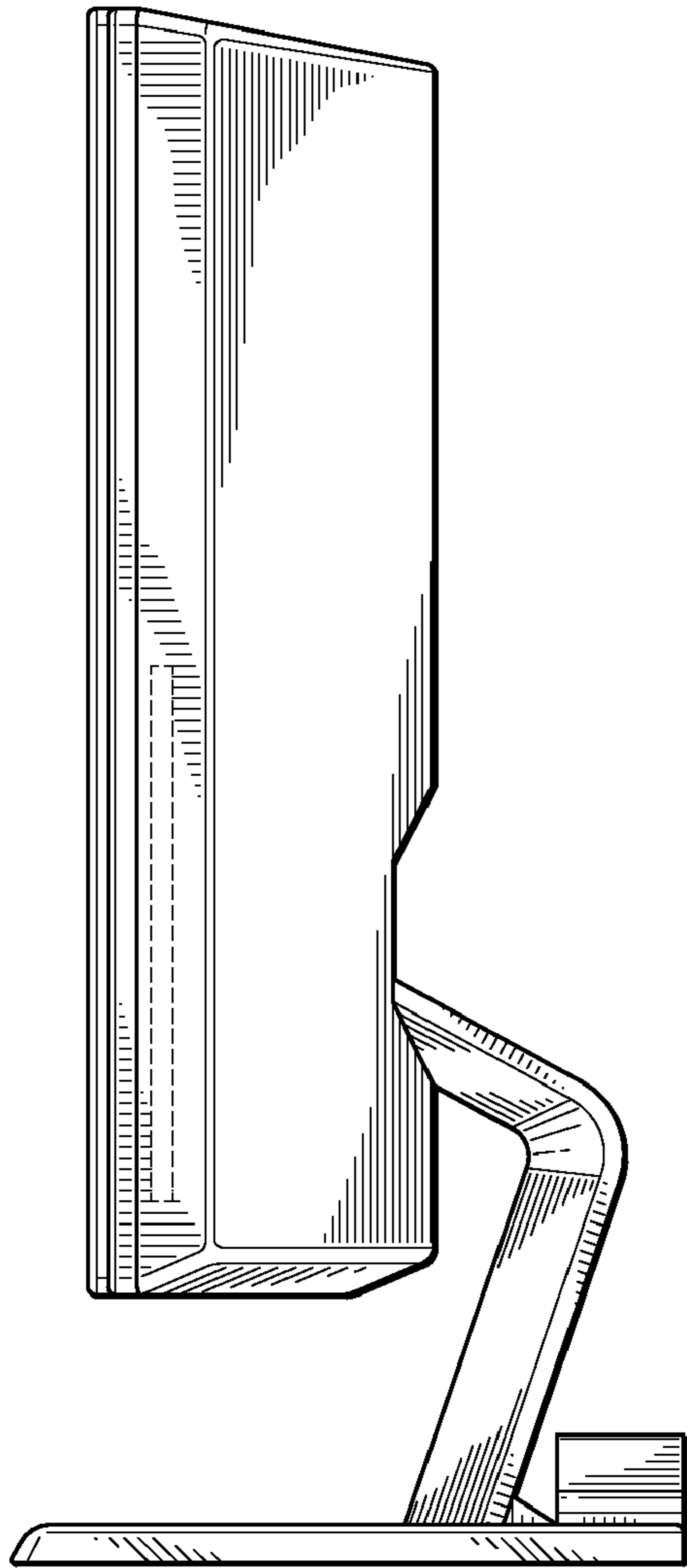


FIG. 3

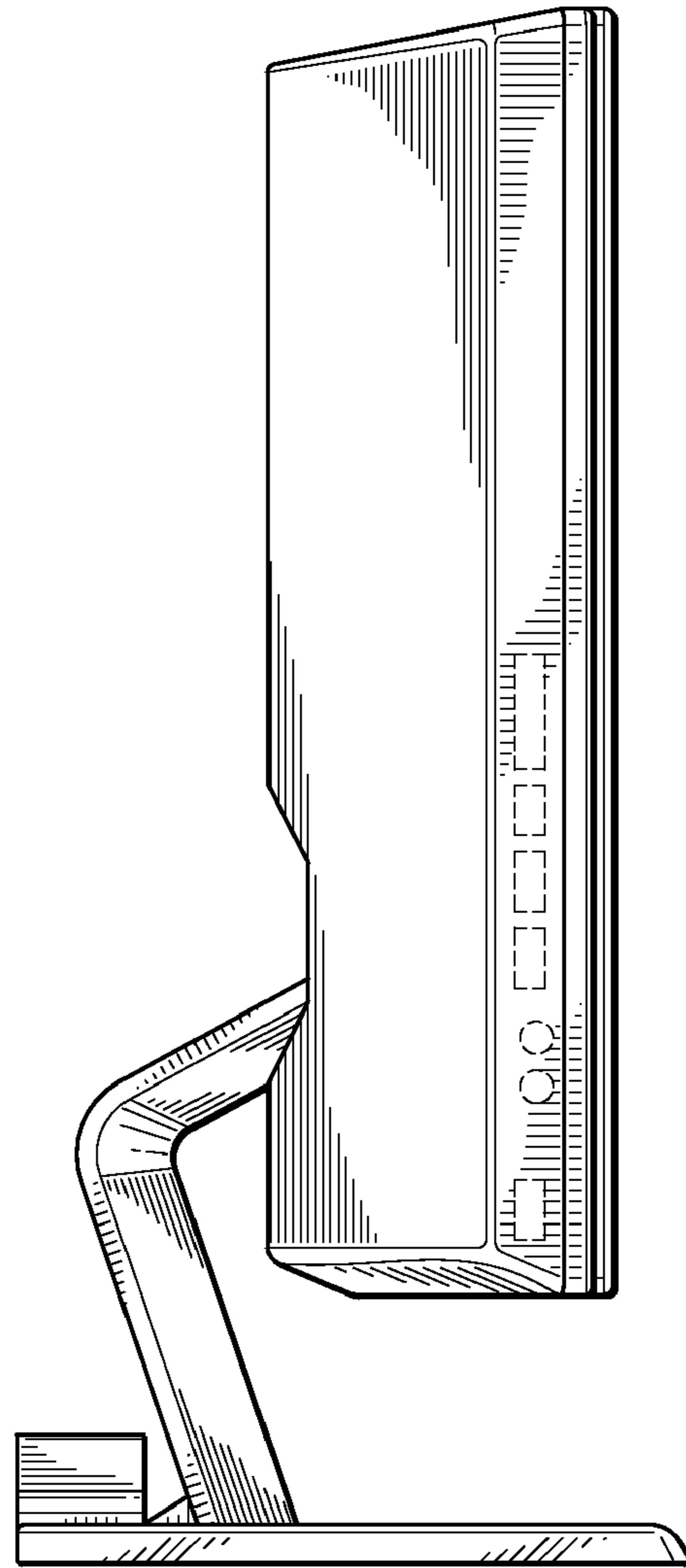


FIG. 4

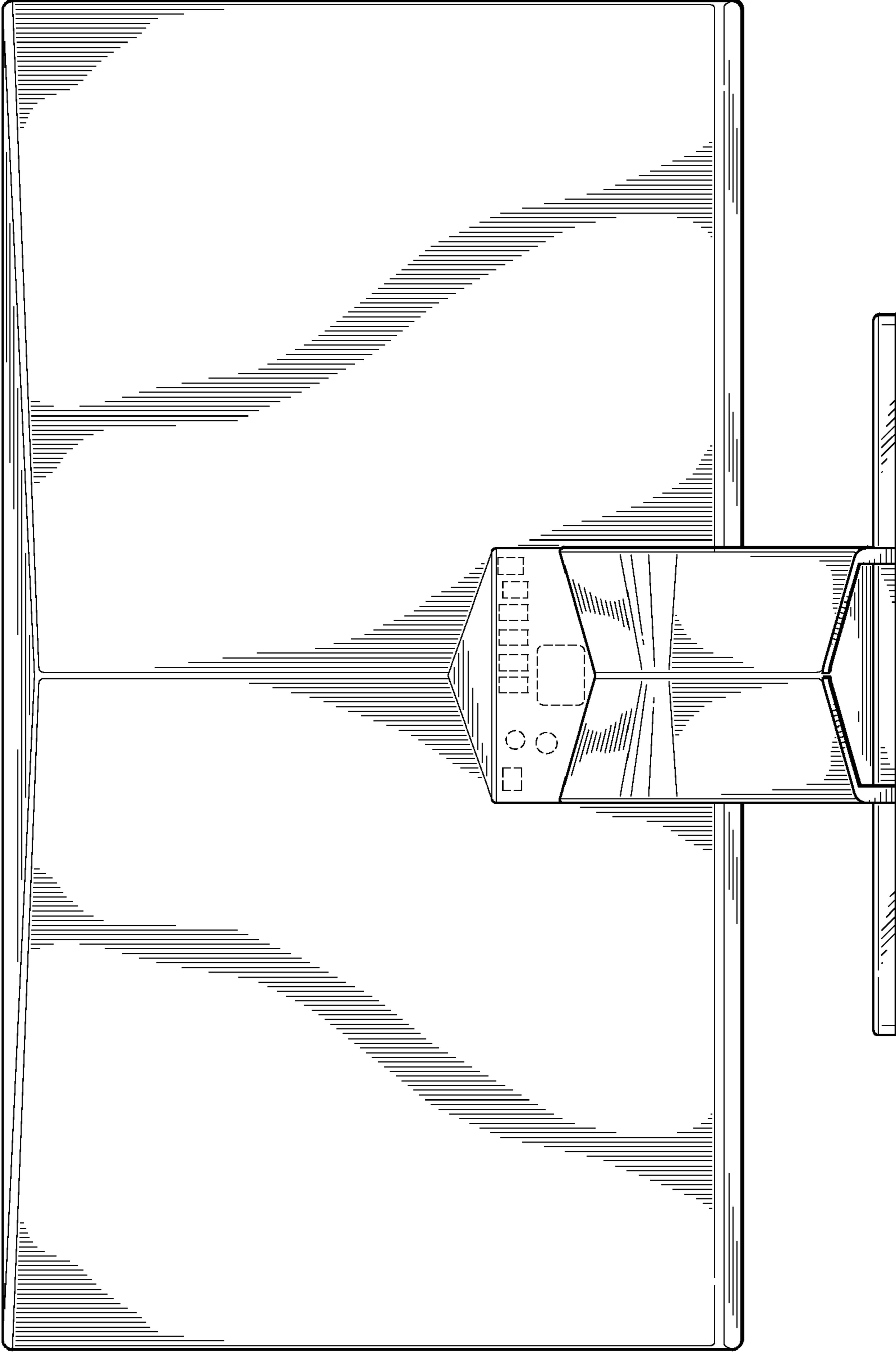


FIG. 5

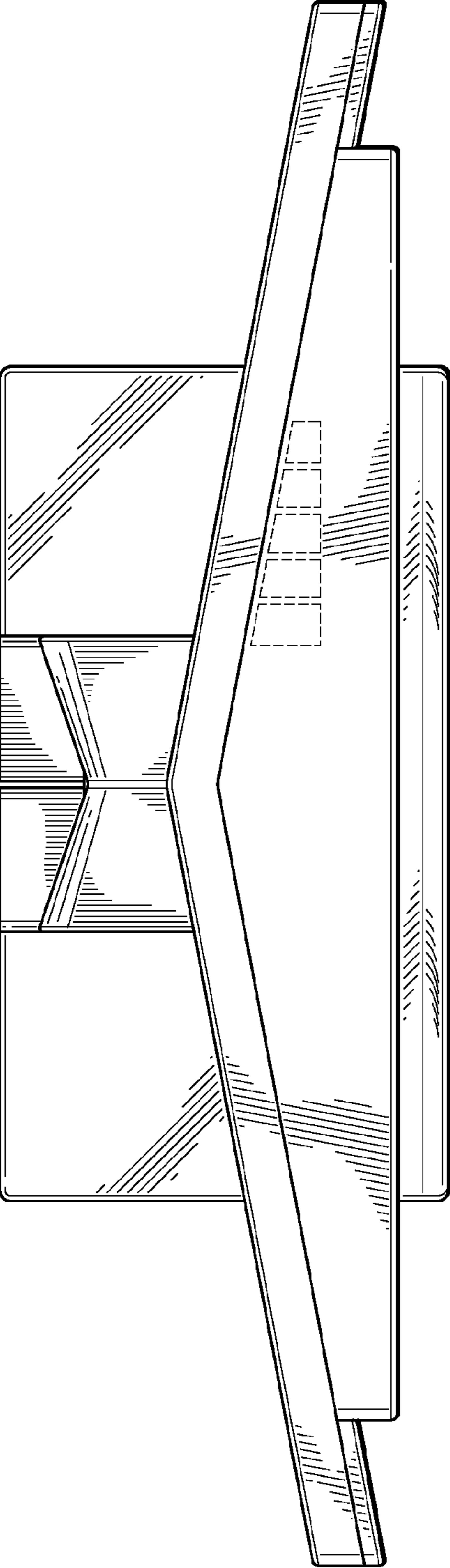


FIG. 6

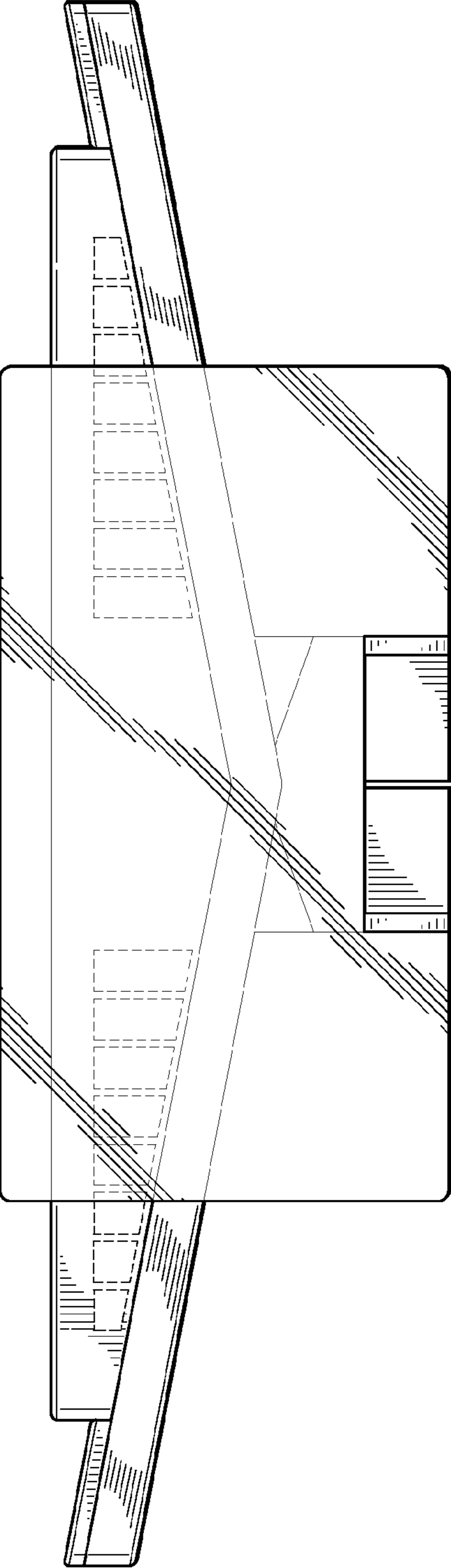


FIG. 7

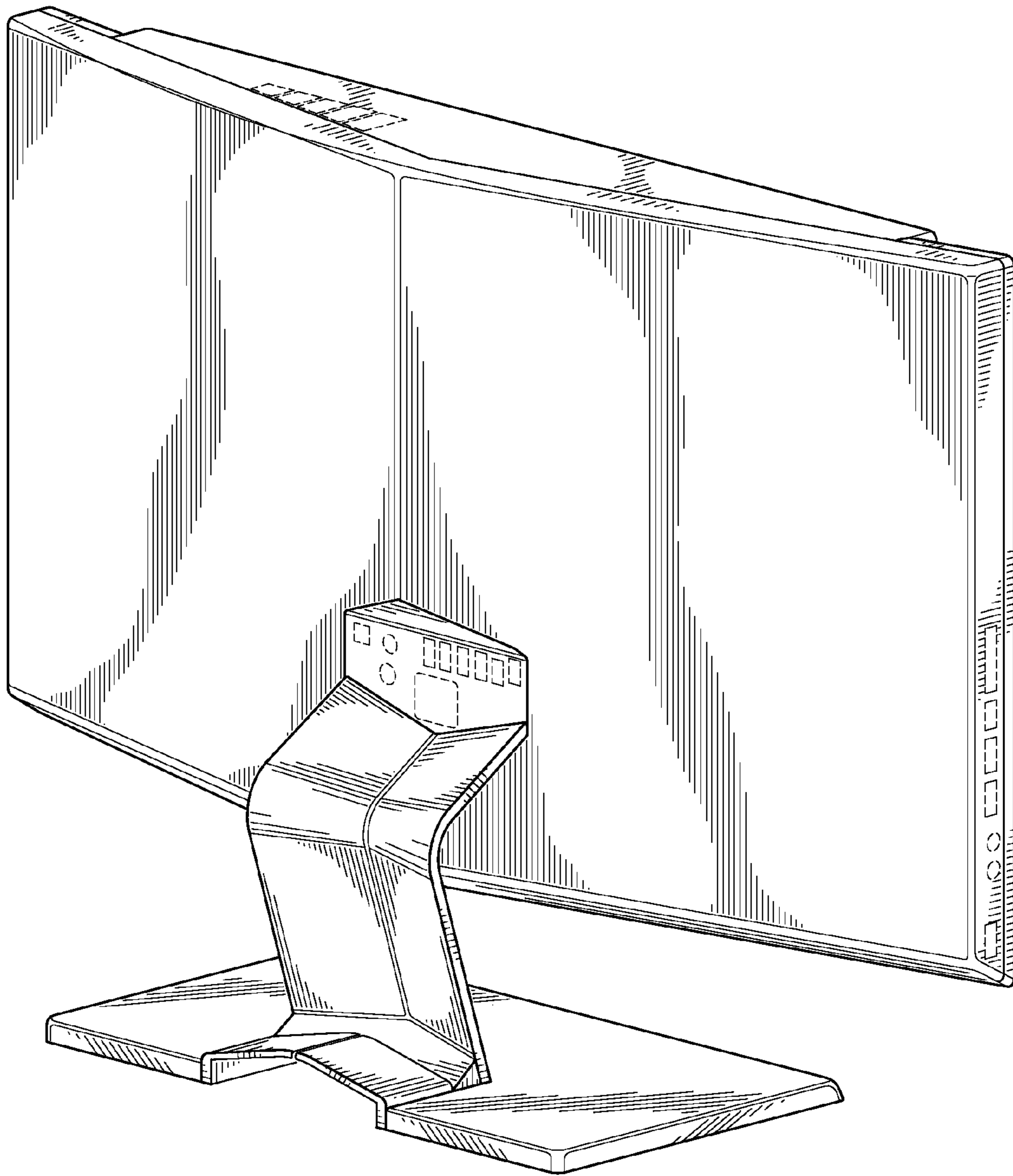


FIG. 8