



US00D578494S

(12) **United States Design Patent**
Hattori

(10) **Patent No.:** **US D578,494 S**

(45) **Date of Patent:** **** Oct. 14, 2008**

(54) **PRINTER**

(75) Inventor: **Satoru Hattori**, Nagoya (JP)

(73) Assignee: **Brother Industries, Ltd.**, Nagoya (JP)

(**) Term: **14 Years**

(21) Appl. No.: **29/274,946**

(22) Filed: **Jun. 12, 2007**

(30) **Foreign Application Priority Data**

Dec. 27, 2006 (JP) 2006-036052

(51) **LOC (8) Cl.** **14-02**

(52) **U.S. Cl.** **D14/2**

(58) **Field of Classification Search** D18/36-39,
D18/50, 54, 54.1, 55, 14, 19; D14/420-425,
D14/462-470; 400/613, 613.1-613.4, 690.1-690.4,
400/691-694

See application file for complete search history.

(56) **References Cited**

U.S. PATENT DOCUMENTS

D295,750 S * 5/1988 Imai D14/422
D313,988 S * 1/1991 Watanabe D14/462
D351,152 S * 10/1994 Liu D14/385
D426,238 S * 6/2000 Liu D14/420

6,612,763 B1 * 9/2003 Yoshihara 400/692
D523,071 S * 6/2006 Katayama et al. D18/50
D535,325 S * 1/2007 Yamaguchi D18/55
D544,906 S * 6/2007 Alfonso et al. D18/55
D555,652 S * 11/2007 Kitamura et al. D14/420
D555,722 S * 11/2007 Bae et al. D18/55

* cited by examiner

Primary Examiner—Cathy Anne MacCormac

(74) *Attorney, Agent, or Firm*—Oliff & Berridge, PLC

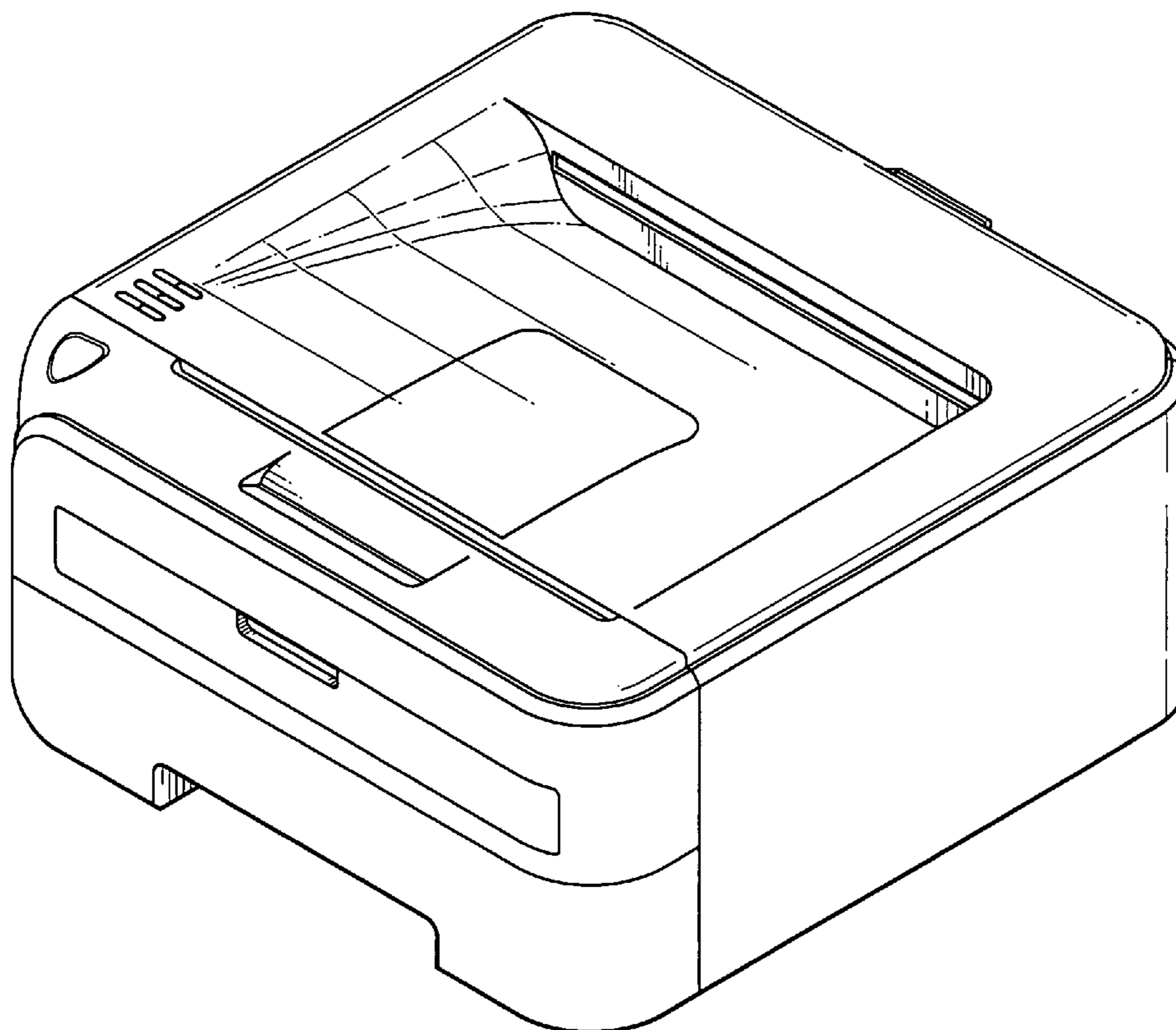
(57) **CLAIM**

The ornamental design for a printer, as shown and described.

DESCRIPTION

FIG. 1 is a front perspective view of a printer;
FIG. 2 is a front view thereof;
FIG. 3 is a top view thereof;
FIG. 4 is a right-side view thereof;
FIG. 5 is a left-side view thereof;
FIG. 6 is a bottom view thereof;
FIG. 7 is a rear view thereof;
FIG. 8 is another front perspective view thereof; and,
FIG. 9 is a cross-sectional view thereof taken along line 9—9
of FIG. 3.

1 Claim, 8 Drawing Sheets



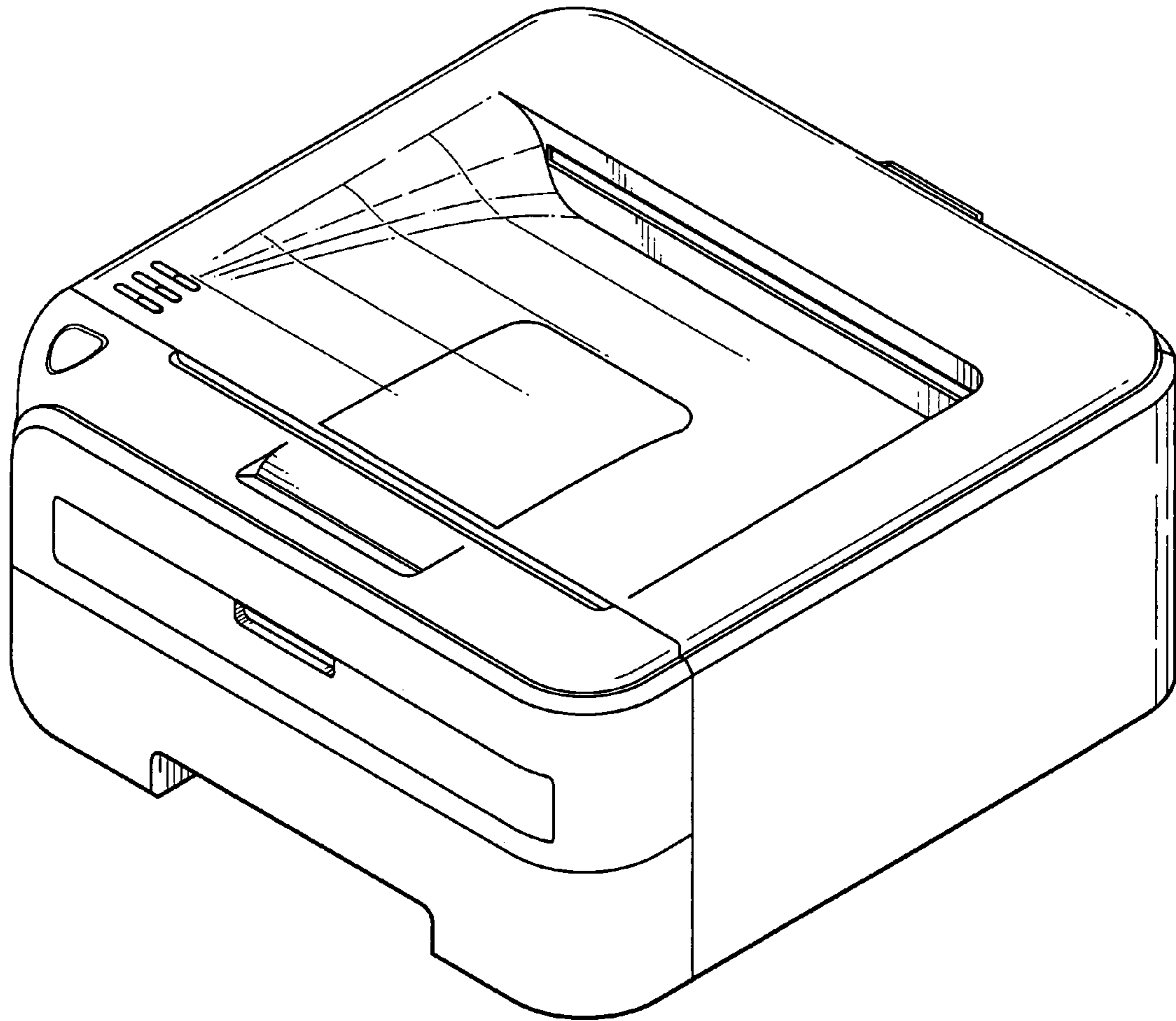


FIG. 1

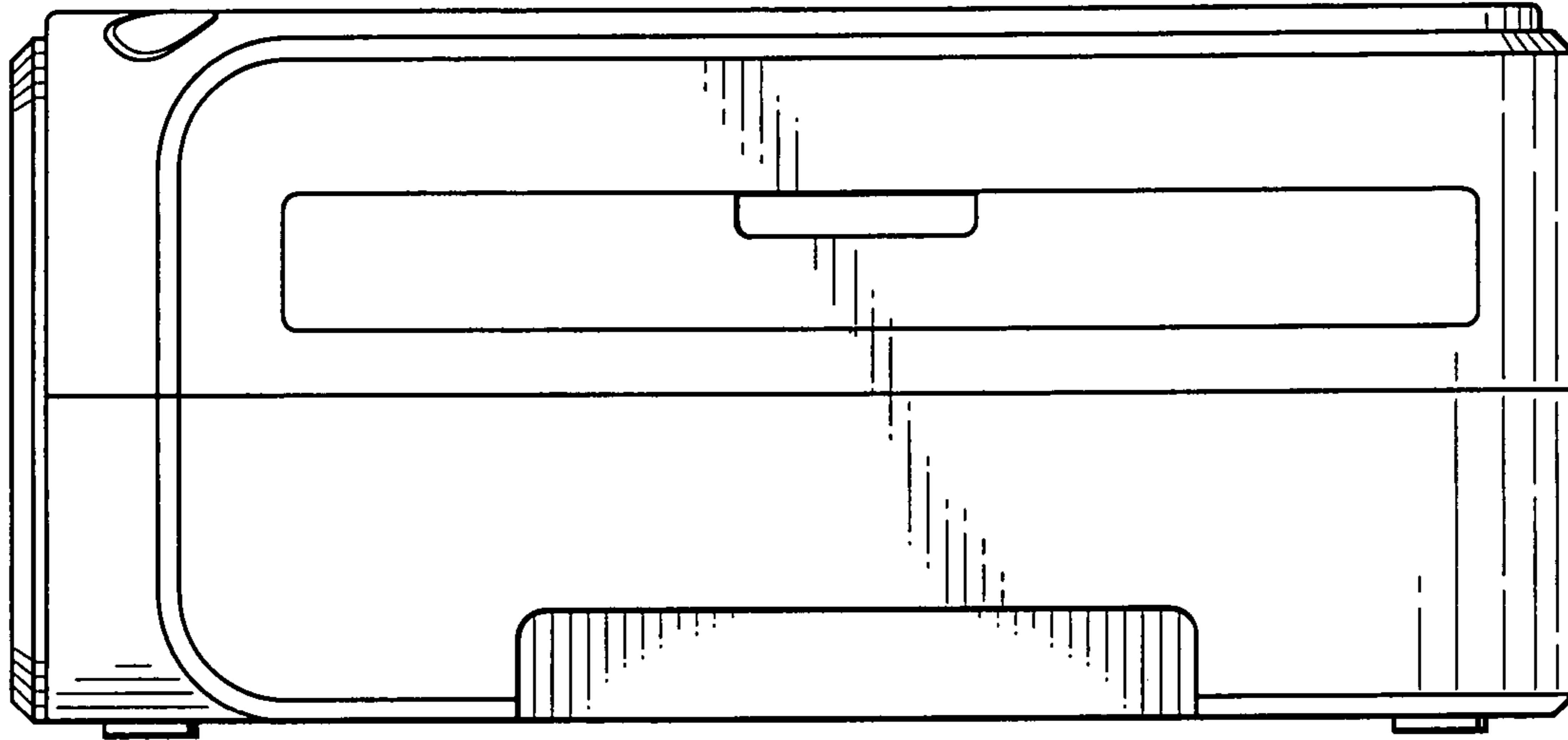


FIG. 2

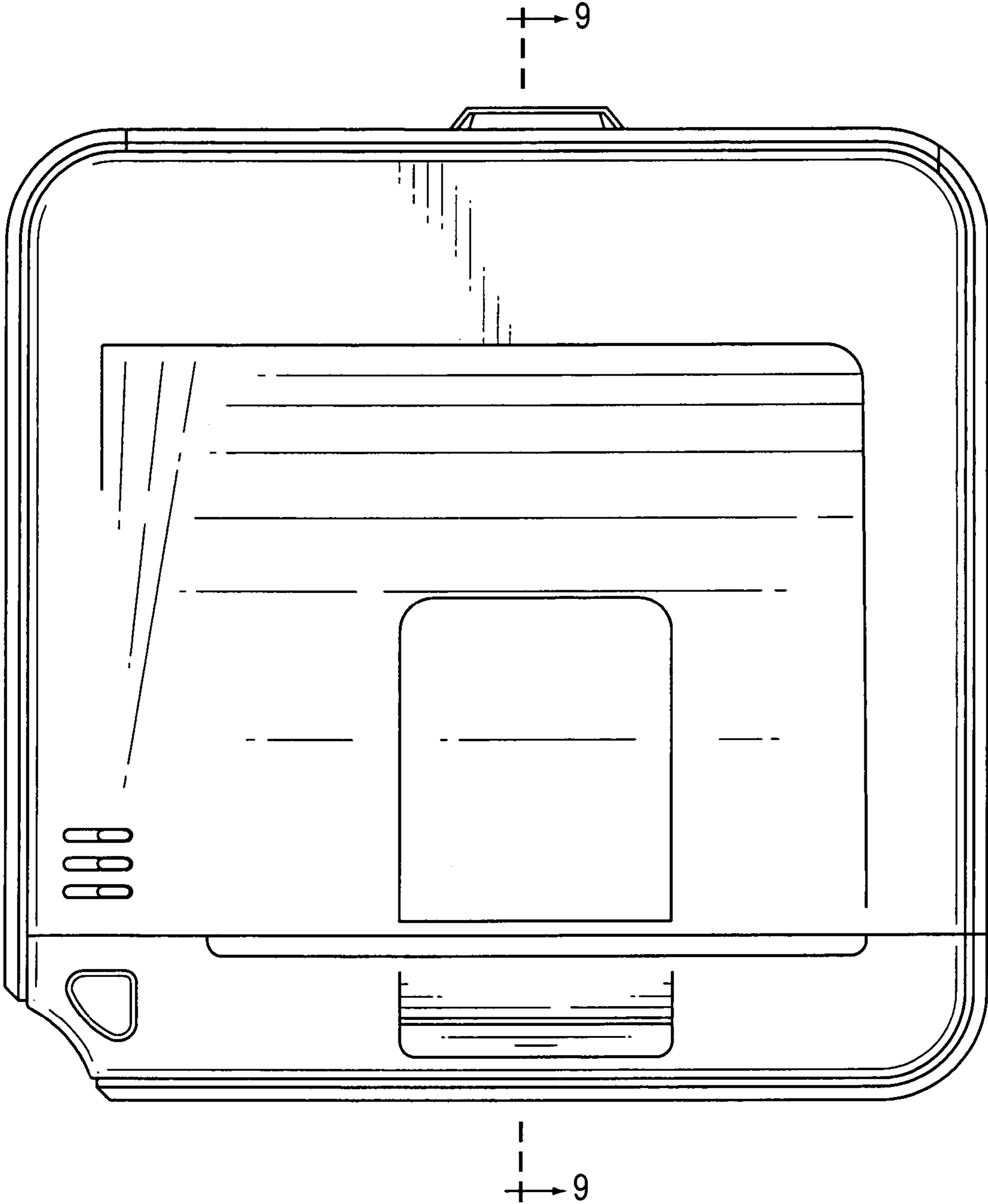


FIG. 3

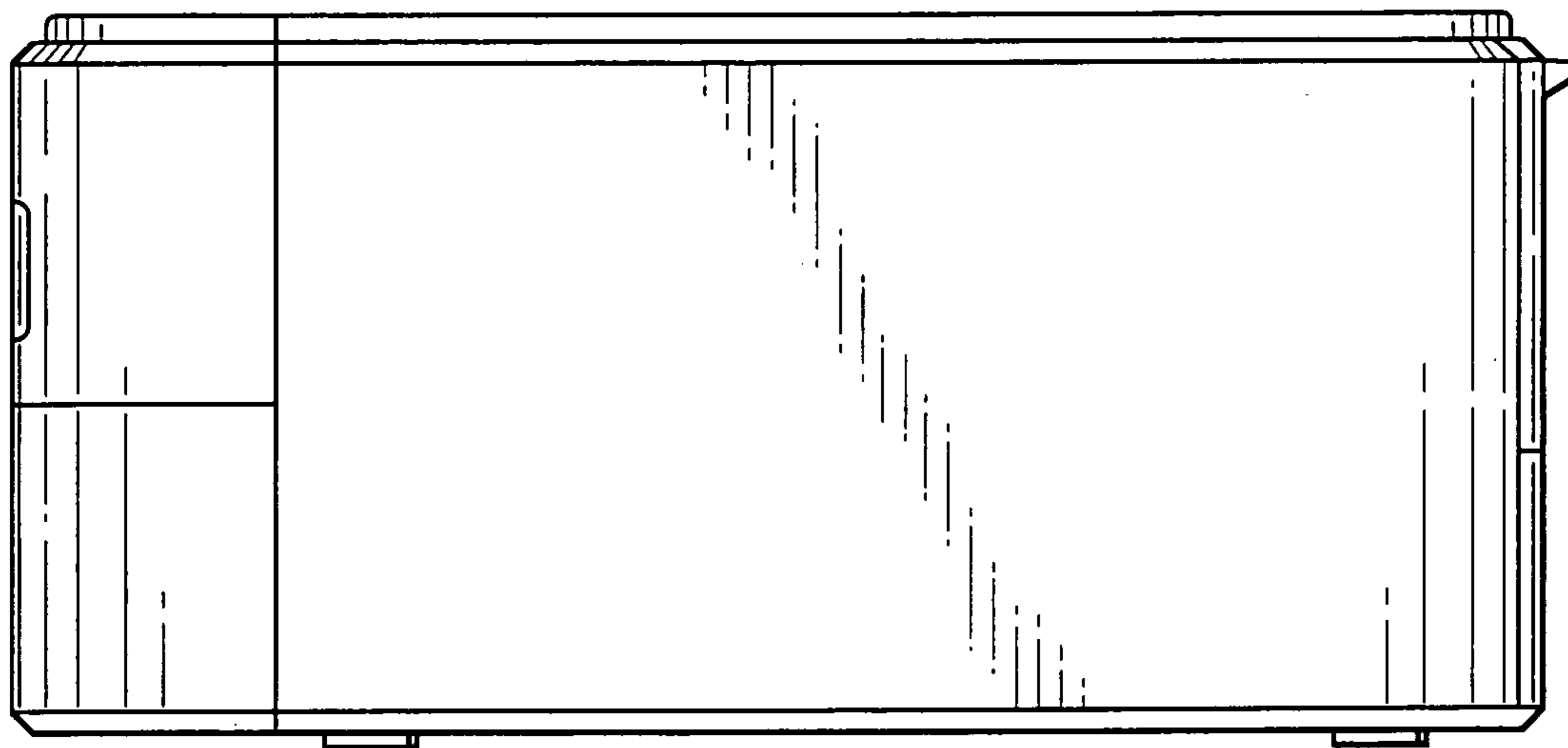


FIG. 4

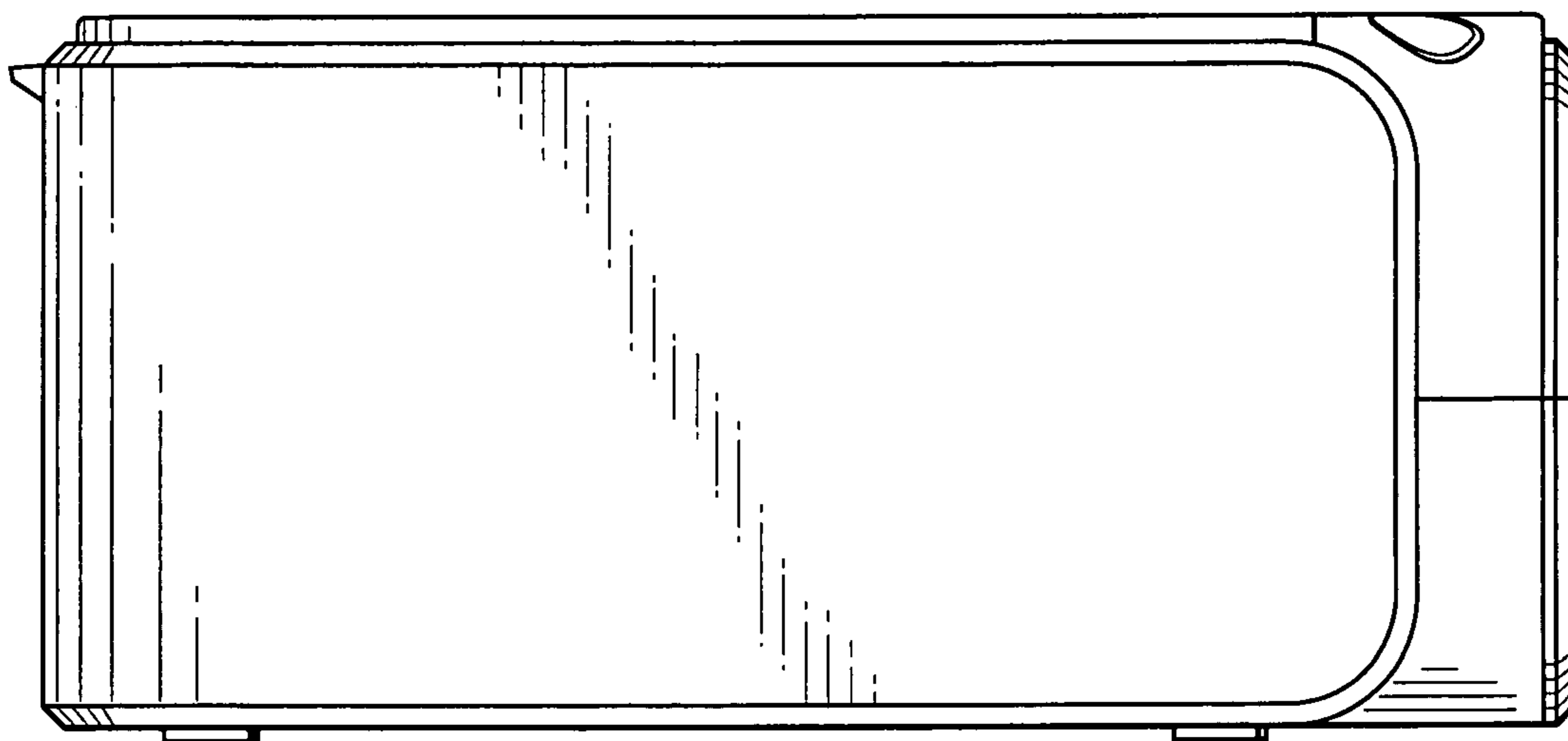


FIG. 5

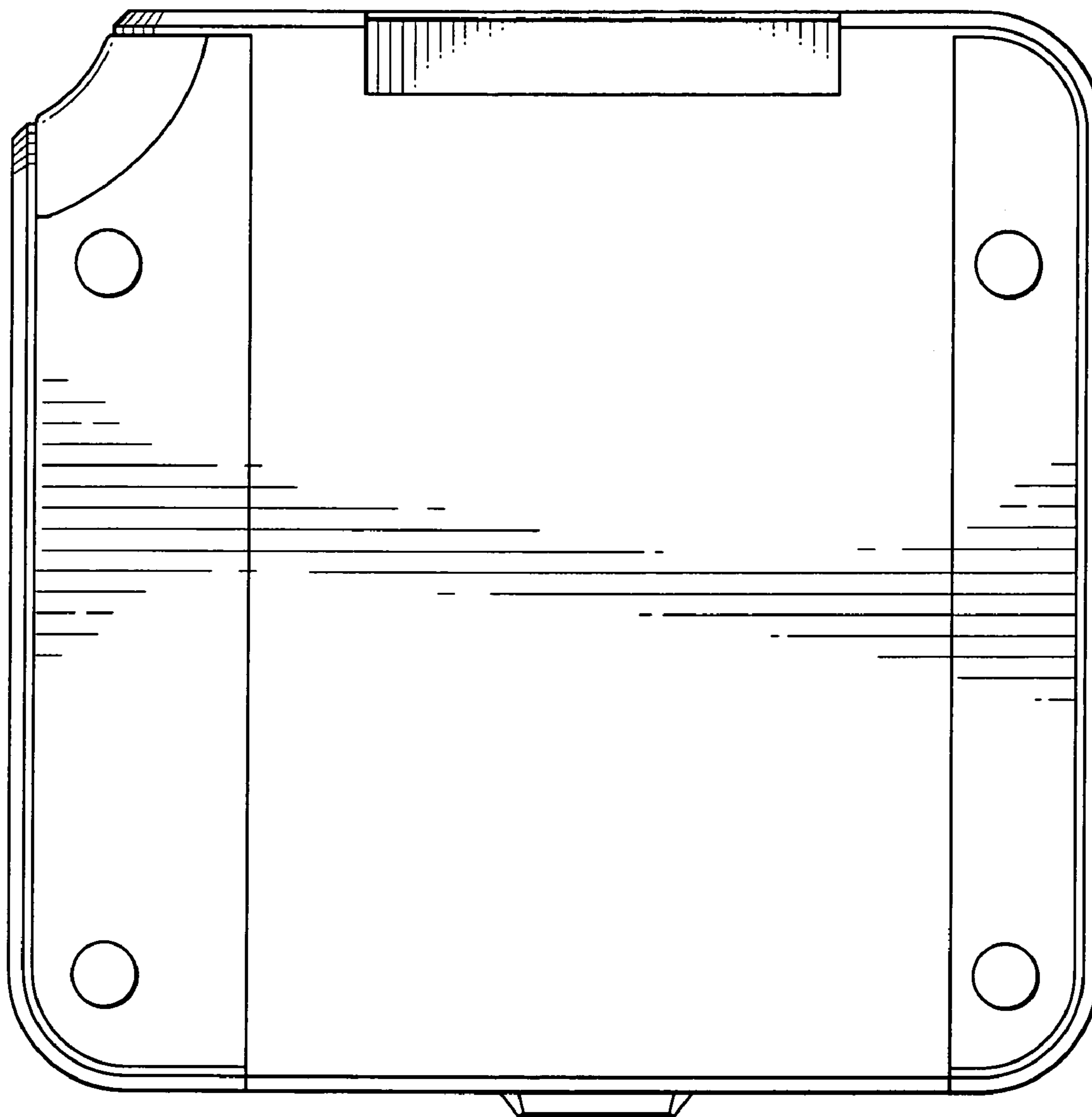


FIG. 6

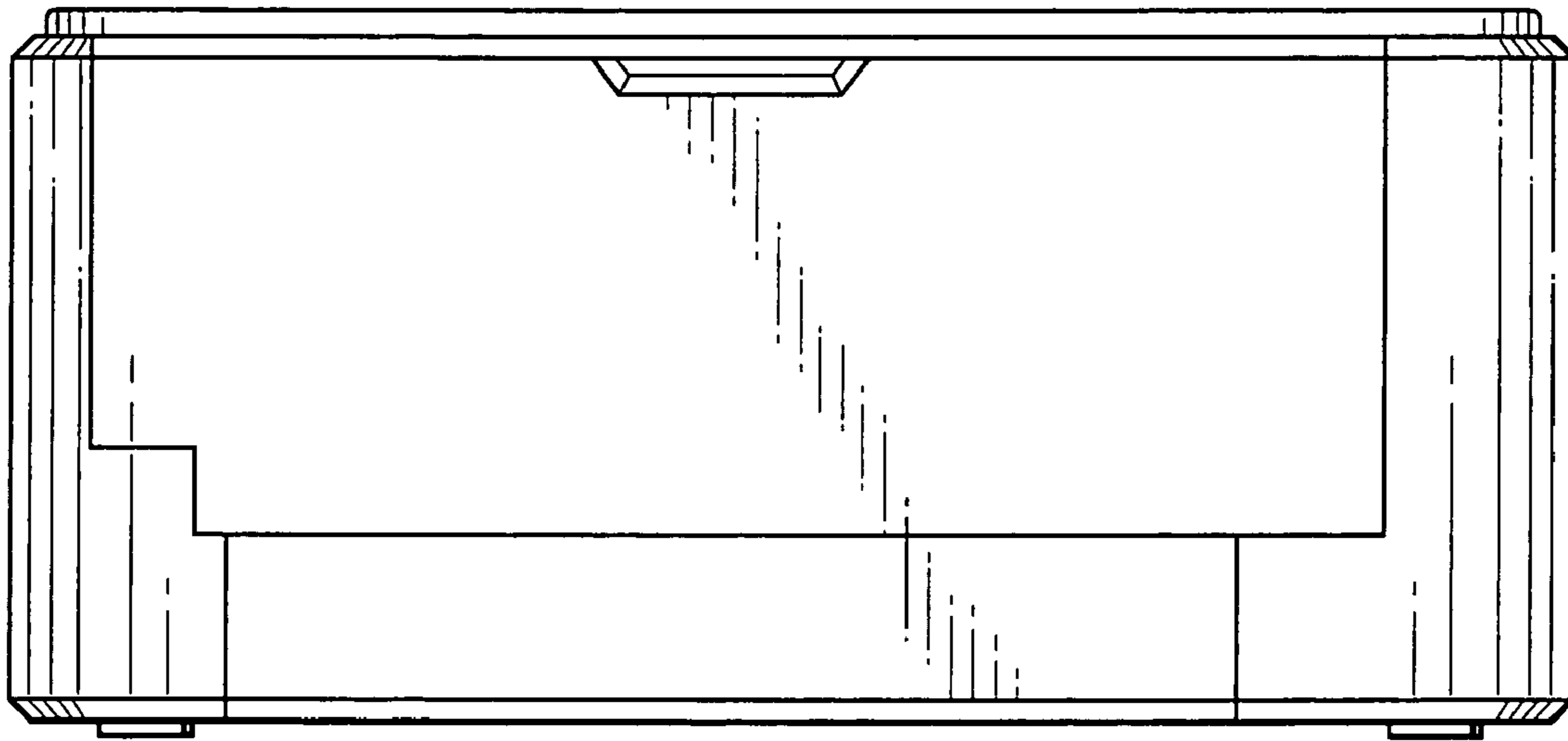


FIG. 7

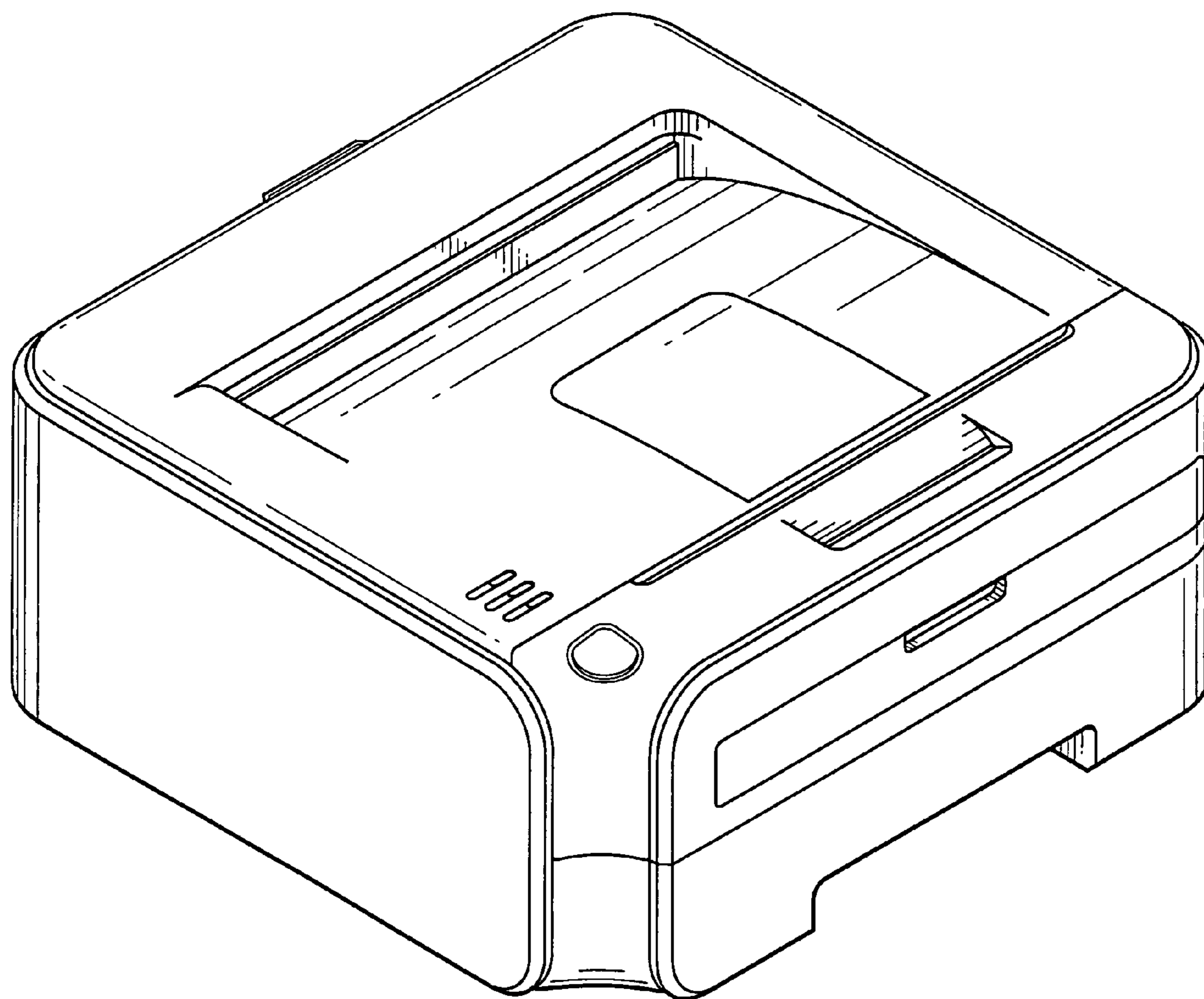


FIG. 8

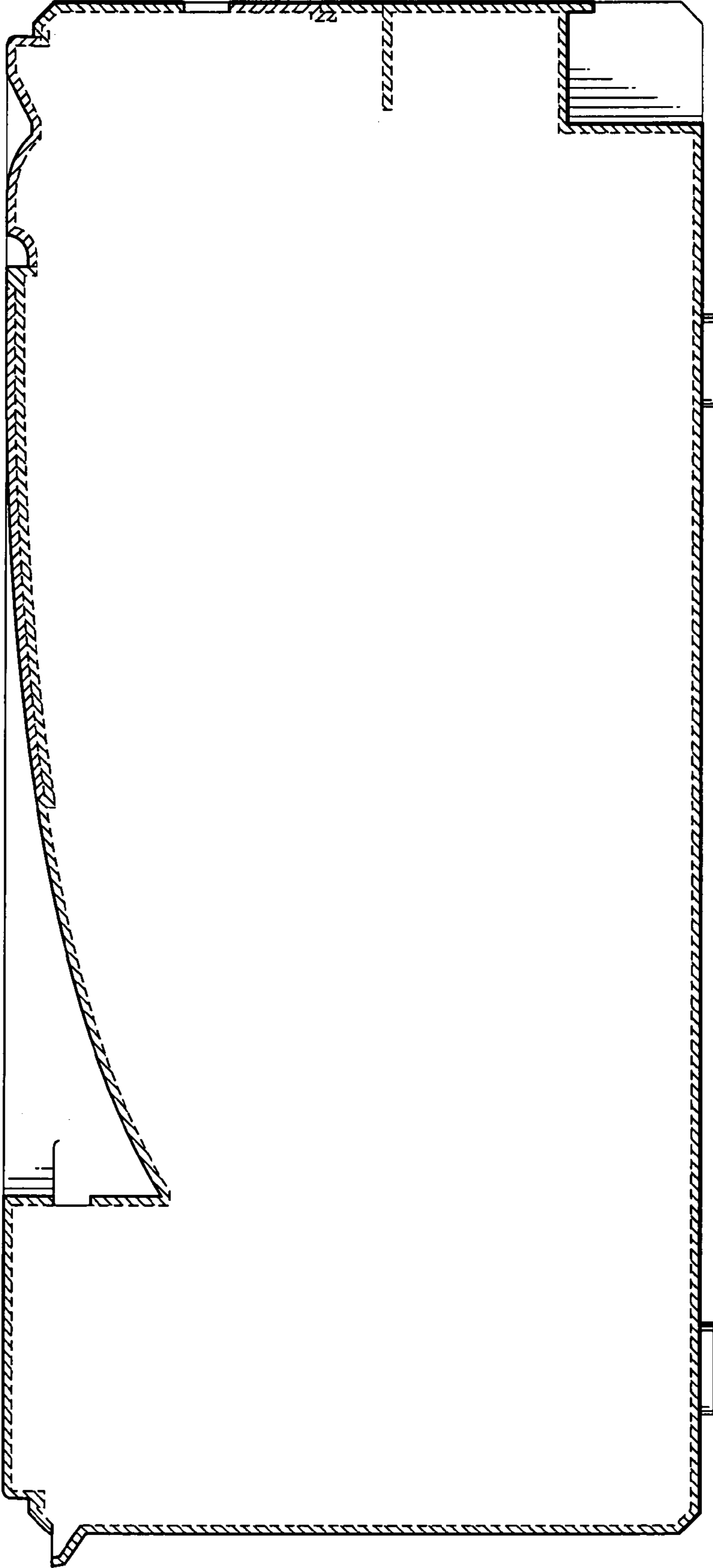


FIG. 9