



US00D578493S

(12) **United States Design Patent**  
**Figueroa et al.**

(10) **Patent No.:** **US D578,493 S**

(45) **Date of Patent:** **\*\* Oct. 14, 2008**

(54) **SWITCH HOUSING**

2008/0112133 A1\* 5/2008 Torudbakken et al. .... 361/694

(75) Inventors: **Gilberto Figueroa**, Modesto, CA (US);  
**Hon Hung Yam**, Fremont, CA (US);  
**Daniel Hruska**, San Carlos, CA (US);  
**Andreas Bechtolsheim**, Menlo Park, CA (US);  
**Ola Torudbakken**, Oslo (NO);  
**Milton C. Lee**, San Ramon, CA (US)

\* cited by examiner

*Primary Examiner*—Prabhakar Deshmukh

*Assistant Examiner*—Thomas J Johannes

(74) *Attorney, Agent, or Firm*—Park, Vaughan & Fleming LLP

(73) Assignee: **Sun Microsystems, Inc.**, Santa Clara, CA (US)

(57) **CLAIM**

The ornamental design for a switch housing, as shown and described.

(\*\*) Term: **14 Years**

(21) Appl. No.: **29/268,726**

(22) Filed: **Nov. 10, 2006**

(51) **LOC (8) Cl.** ..... **13-03**

(52) **U.S. Cl.** ..... **D13/184**

(58) **Field of Classification Search** ..... D13/110,  
D13/112, 118, 123, 184, 199; 165/122; 307/66,  
307/150, 315; 363/144

See application file for complete search history.

**DESCRIPTION**

FIG. 1 is a perspective view of a switch housing, showing our new design; the magnified portion of claimed interior detail shown therein for clarity.

FIG. 2 is a front view of the switch housing of FIG. 1.

FIG. 3 is a rear view of the switch housing of FIG. 1.

FIG. 4 is a left side view of the switch housing of FIG. 1.

FIG. 5 is a right side view of the switch housing of FIG. 1; and,

FIG. 6 is a top view of the switch housing of FIG. 1.

The broken line portions shown in the drawings are included to illustrate unclaimed details and form no part of the claimed design.

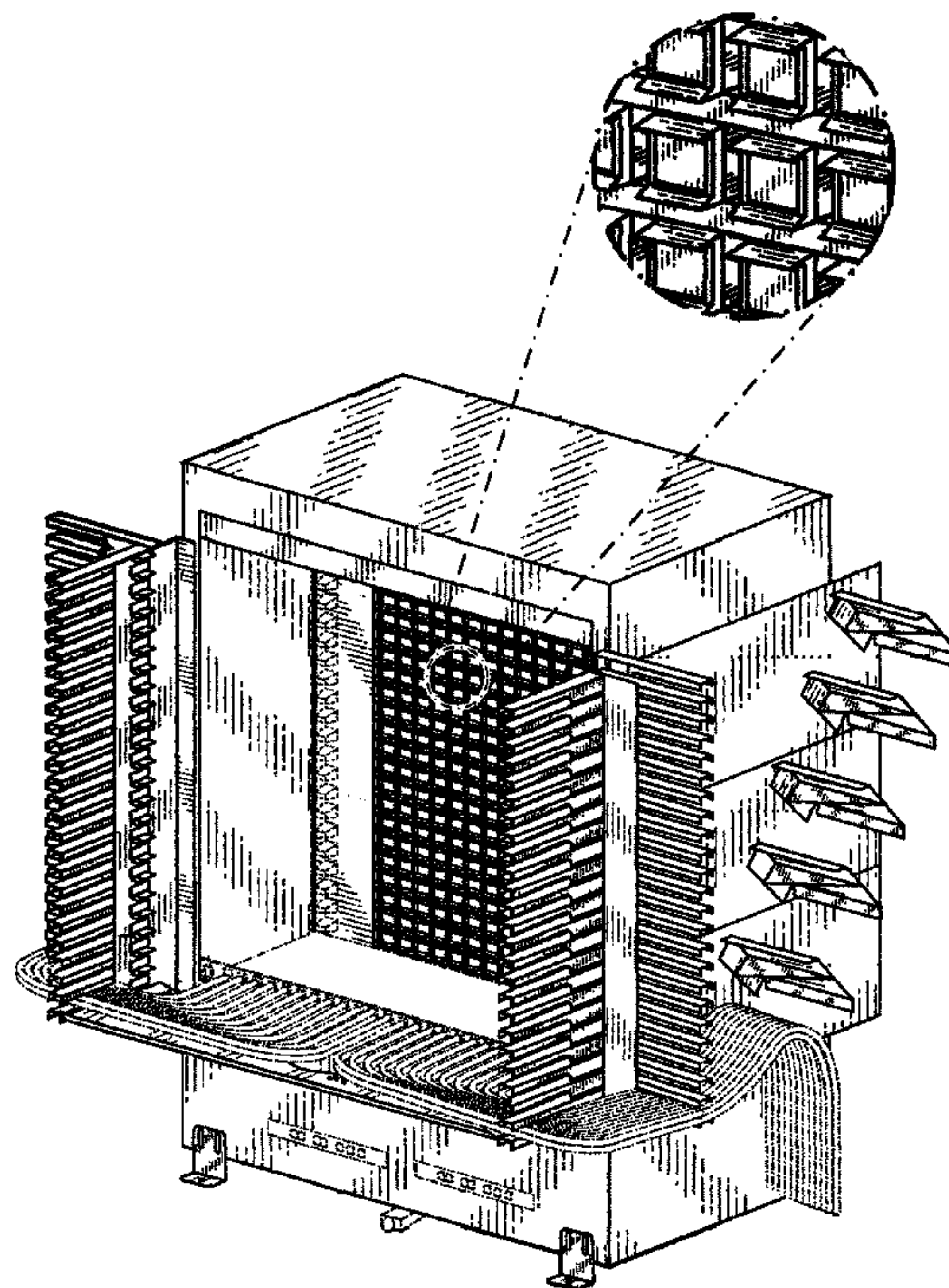
The special dot-dash broken lines define the bounds, location, relation and magnification of a portion of the claimed interior detail of FIG. 1; however, the dot-dash lines themselves form no part of the claimed design.

(56) **References Cited**

U.S. PATENT DOCUMENTS

D313,013 S *	12/1990	Krietzman	.....	D14/313
D335,280 S *	5/1993	Schoemer et al.	.....	D13/184
D348,269 S *	6/1994	Chong	.....	D14/140.4
D378,081 S *	2/1997	Antonczak et al.	.....	D13/184
D404,019 S *	1/1999	Lindsley et al.	.....	D13/184
D441,347 S *	5/2001	Silvers	.....	D13/184
D493,771 S *	8/2004	Pagella et al.	.....	D13/110

**1 Claim, 6 Drawing Sheets**





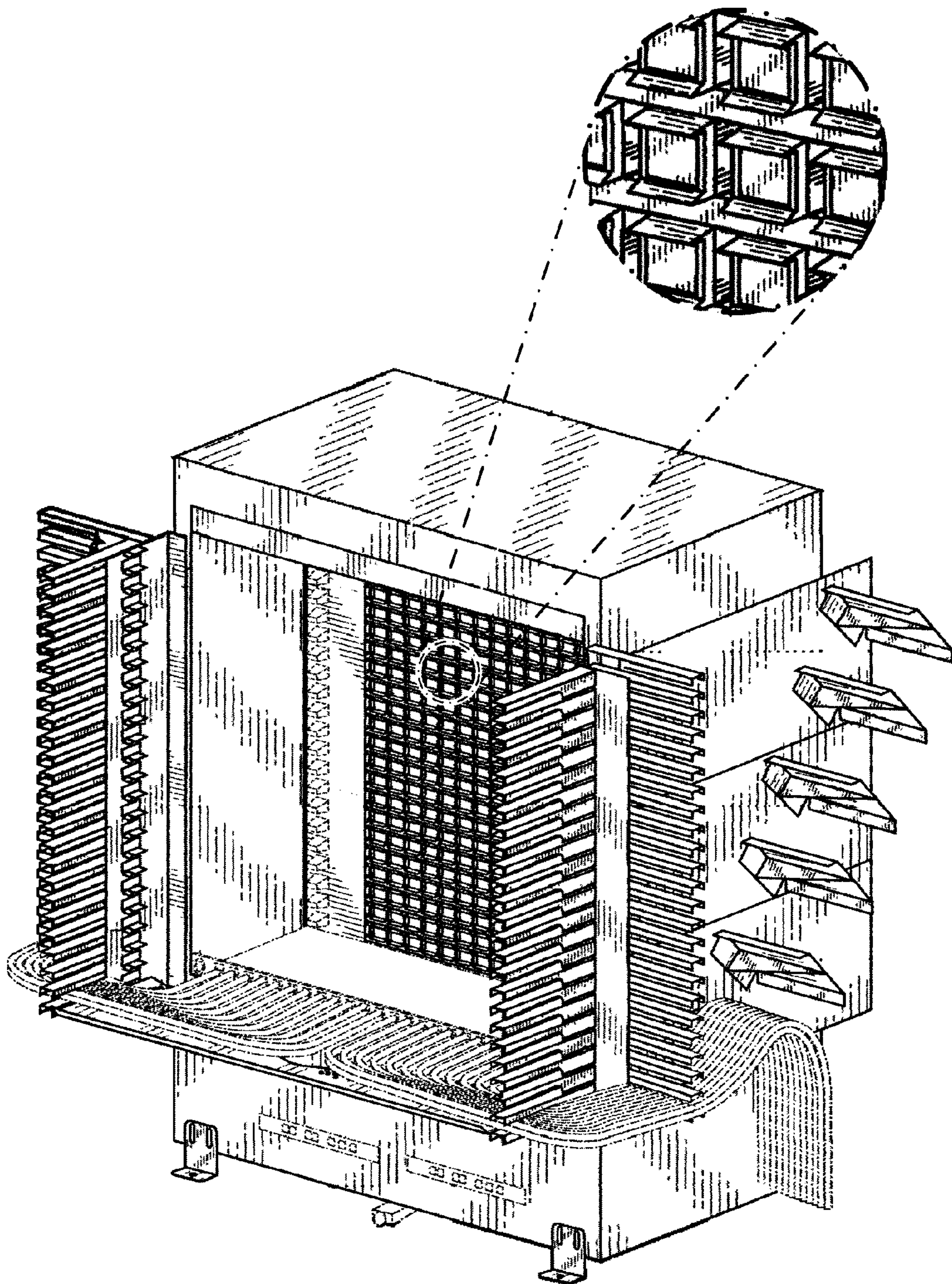


FIG. 1

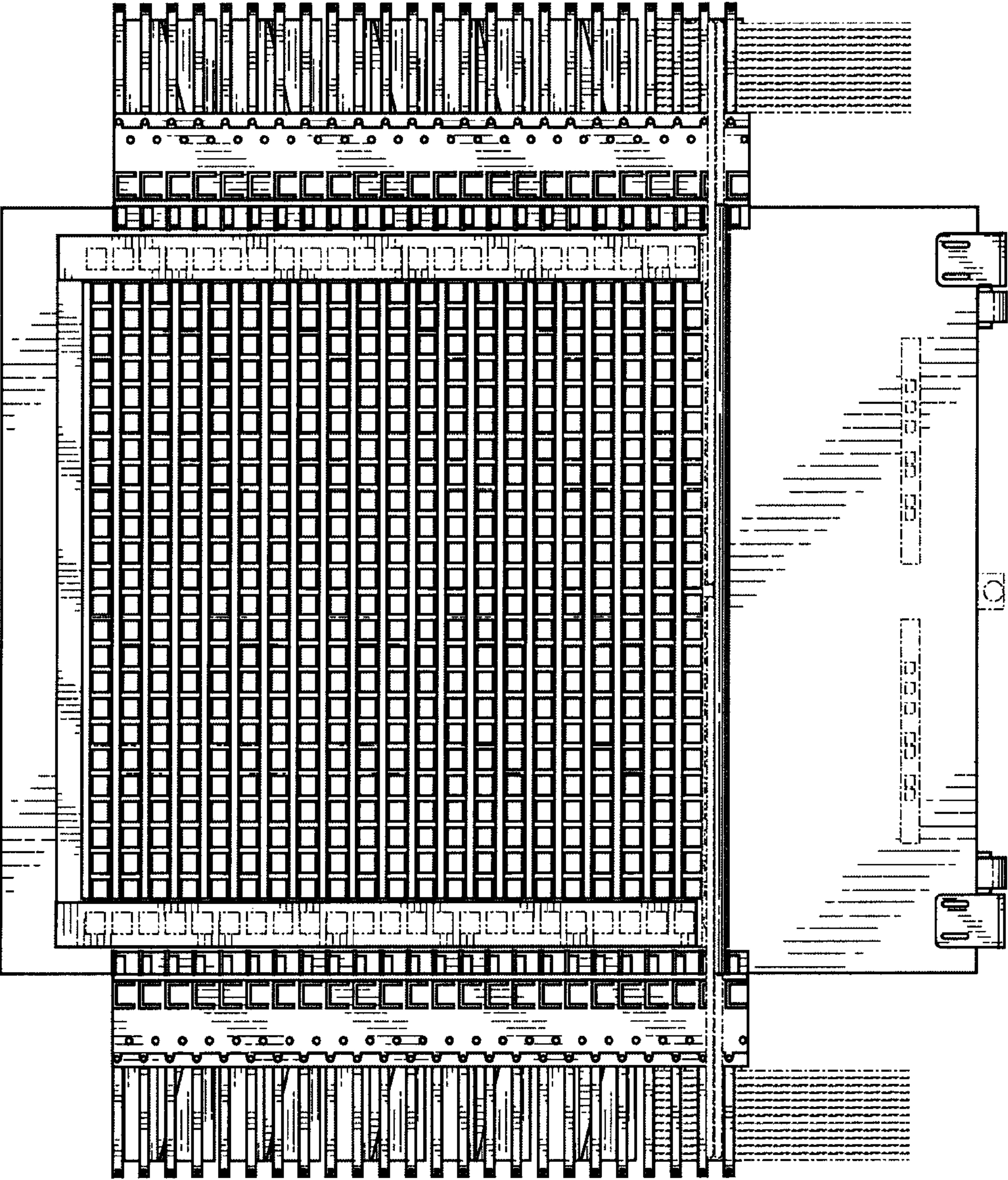


FIG. 2



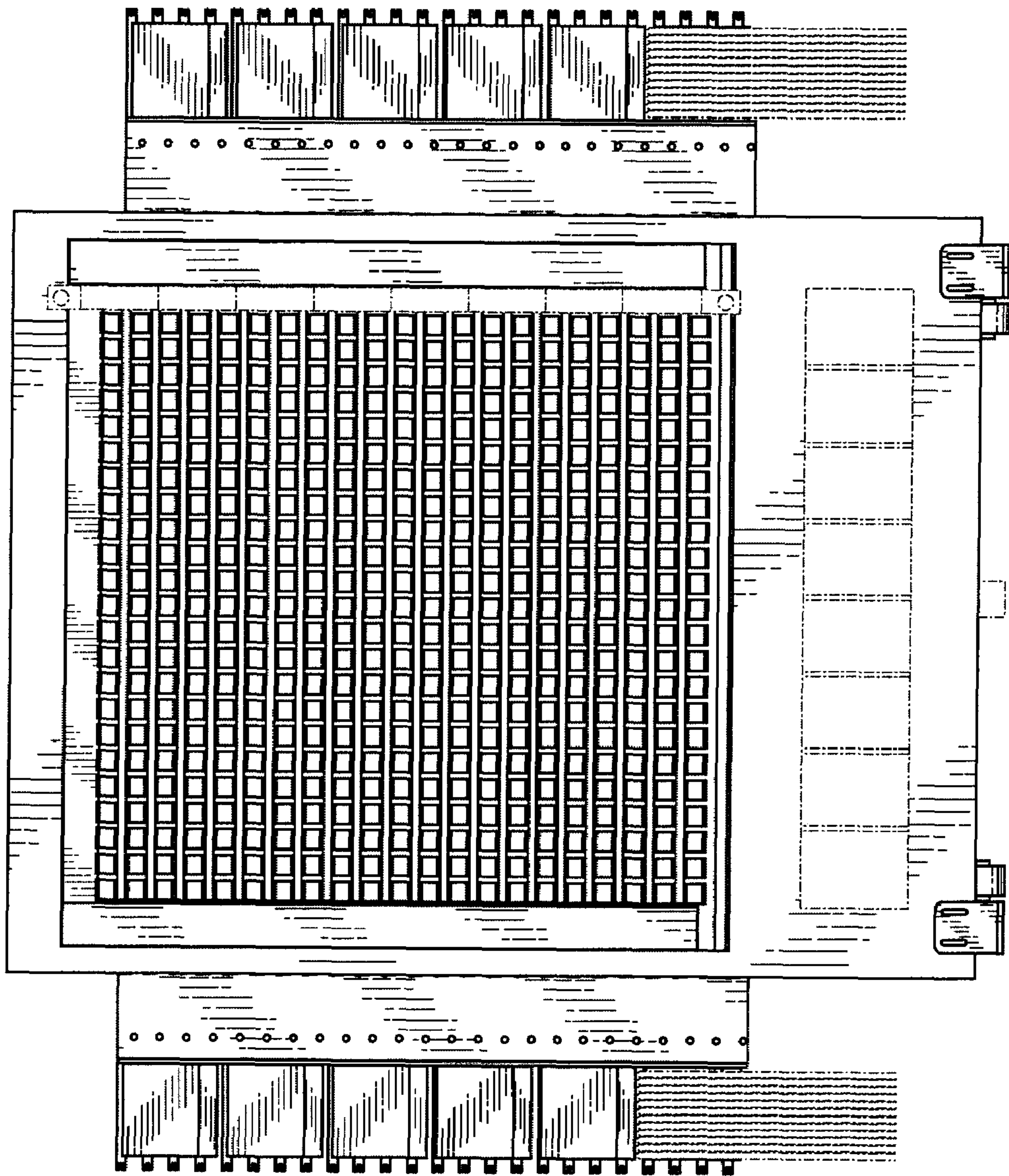


FIG. 3

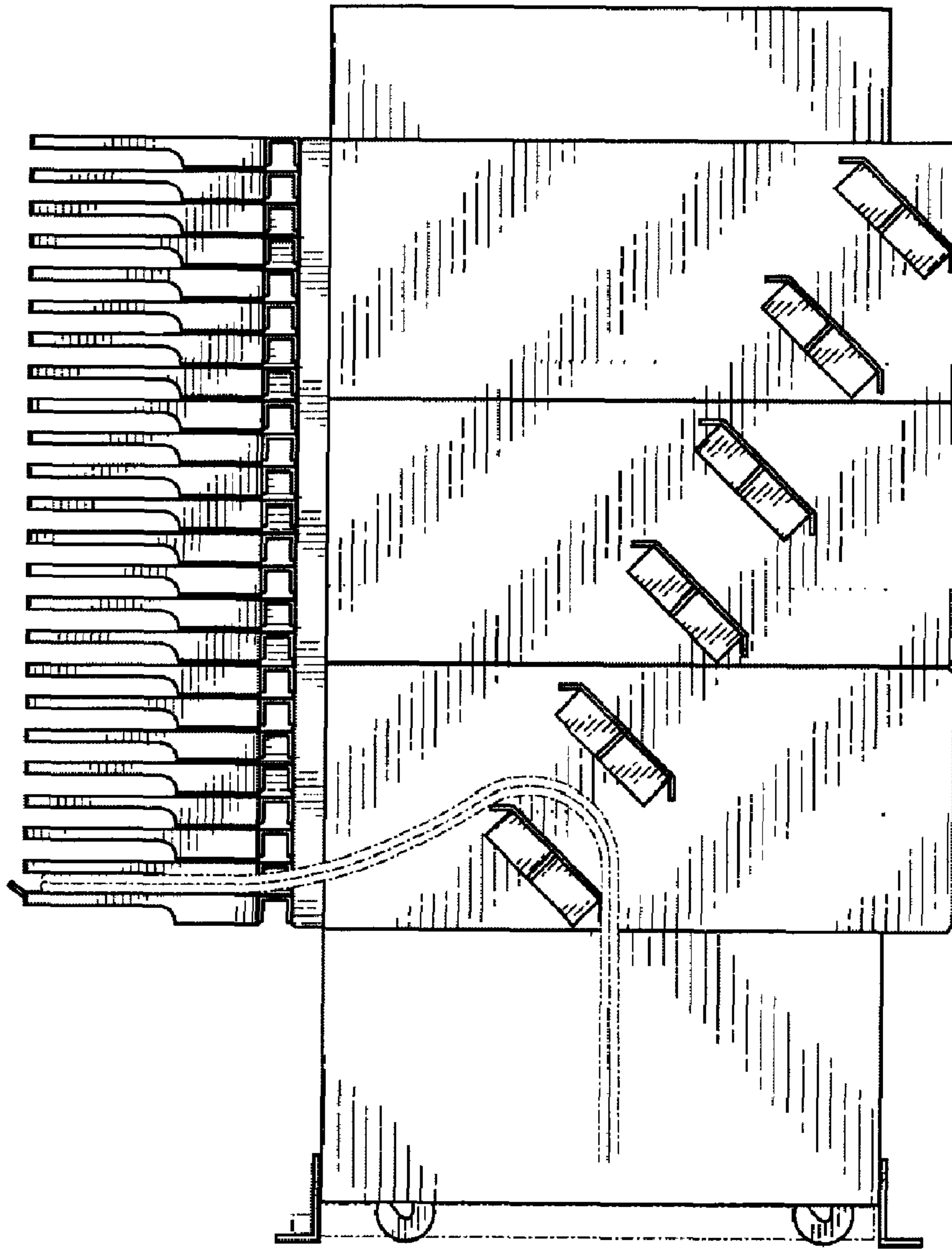


FIG. 4

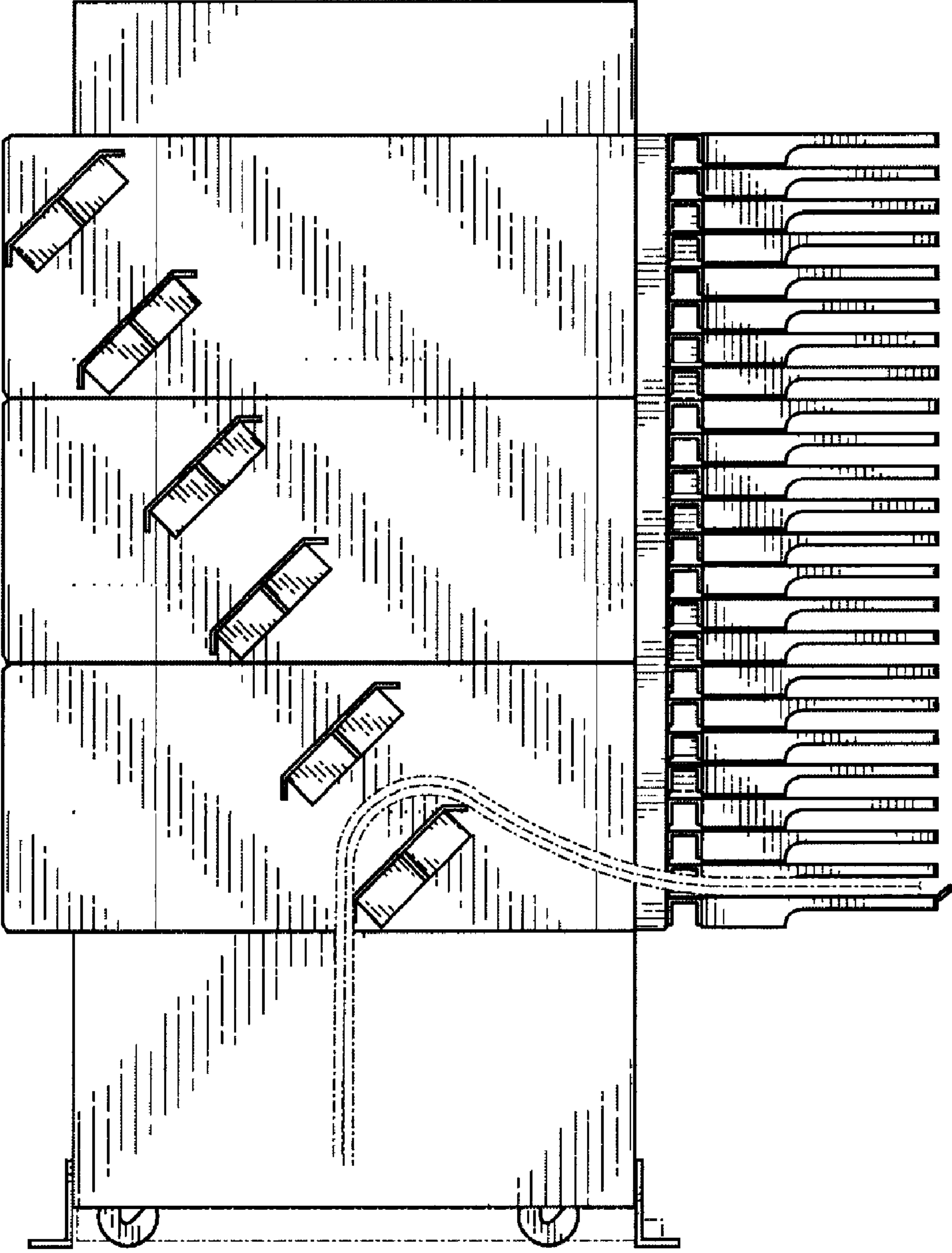


FIG. 5

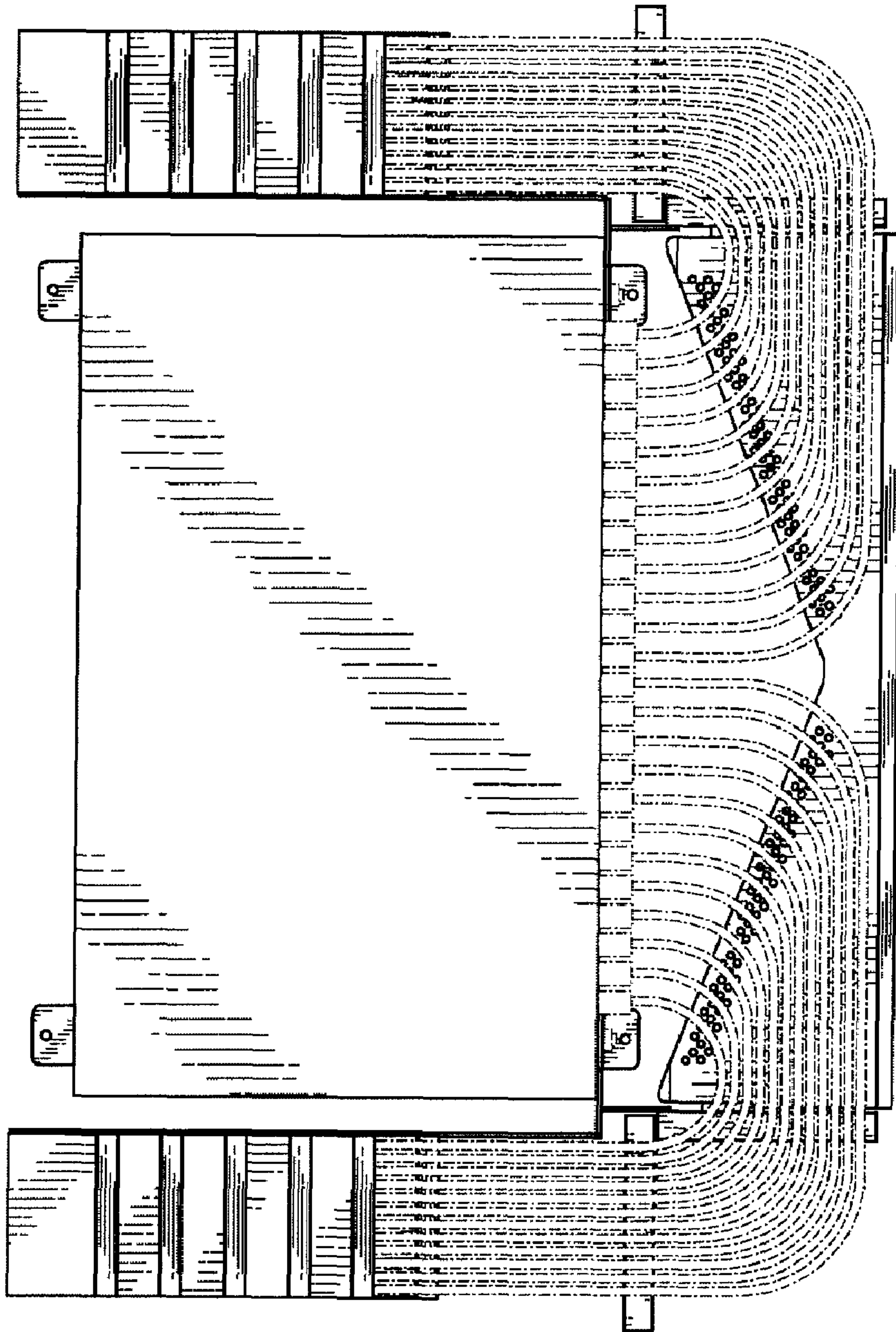


FIG. 6