



US00D578492S

(12) **United States Design Patent**
Xu

(10) **Patent No.:** **US D578,492 S**
(45) **Date of Patent:** **** Oct. 14, 2008**

(54) **LIGHT EMITTING DIODE ILLUMINATING PLATE**

(75) Inventor: **Chao Feng Xu**, Guangdong (CN)

(73) Assignee: **Powerthink Optoelectronics Co., Ltd.**,
Guangdong (CN)

(**) Term: **14 Years**

(21) Appl. No.: **29/296,034**

(22) Filed: **Oct. 12, 2007**

(51) **LOC (8) Cl.** **13-03**

(52) **U.S. Cl.** **D13/180**

(58) **Field of Classification Search** D13/180;
D26/1, 24; 257/79, 80, 81, 88, 89, 95, 98,
257/99, 100; 313/483, 498, 500; 362/555,
362/800

See application file for complete search history.

(56) **References Cited**

U.S. PATENT DOCUMENTS

6,726,502 B1 * 4/2004 Hayes 439/422
7,044,620 B2 * 5/2006 Van Duyn 362/294
D531,139 S * 10/2006 Egawa et al. D13/180

D535,262 S * 1/2007 Saito et al. D13/180
D541,761 S * 5/2007 Saito et al. D13/180
7,284,882 B2 * 10/2007 Burkholder 362/294
7,360,923 B2 * 4/2008 Weber-Rabsilber et al. . 362/241
2006/0092637 A1 * 5/2006 Yeh 362/249

* cited by examiner

Primary Examiner—Selina Sikder

(74) *Attorney, Agent, or Firm*—Banger Shia

(57) **CLAIM**

The ornamental design for light emitting diode illuminating plate, as shown and described.

DESCRIPTION

FIG. 1 is a perspective view of light emitting diode illuminating plate showing my present design,

FIG. 2 is a front elevation view thereof;

FIG. 3 is a rear elevation view thereof;

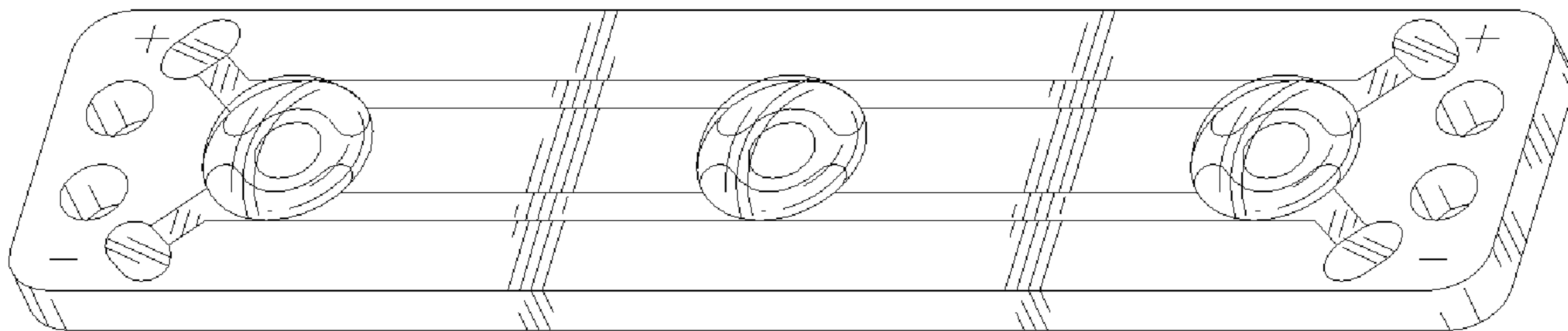
FIG. 4 is a left side elevation view thereof;

FIG. 5 is a right side elevation view thereof;

FIG. 6 is a top plan view thereof; and,

FIG. 7 is a bottom plan view thereof.

1 Claim, 4 Drawing Sheets



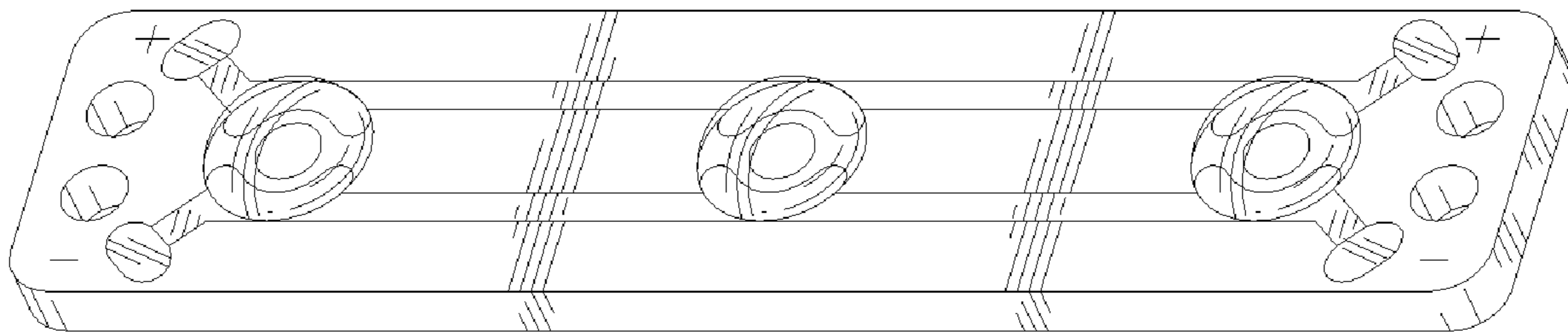


FIG. 1

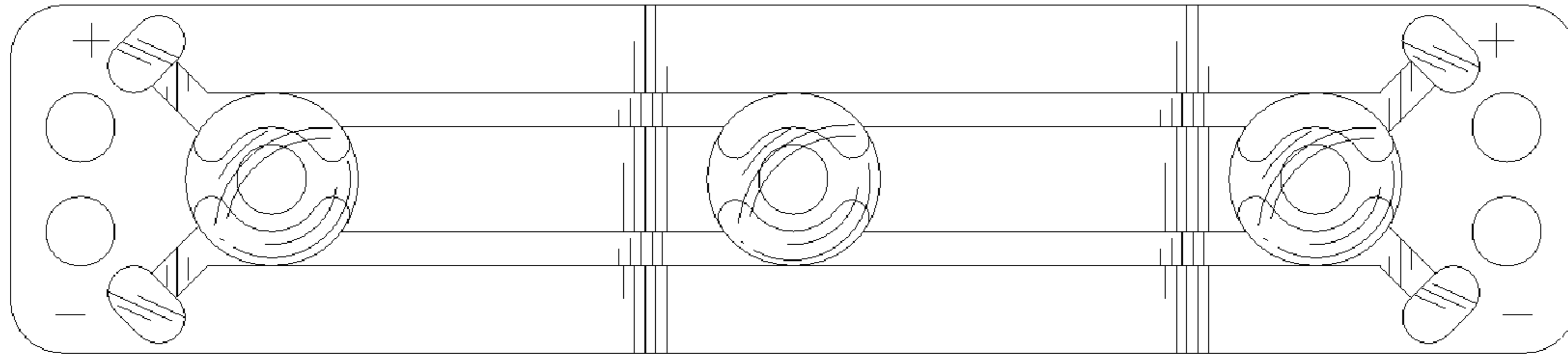


FIG. 2

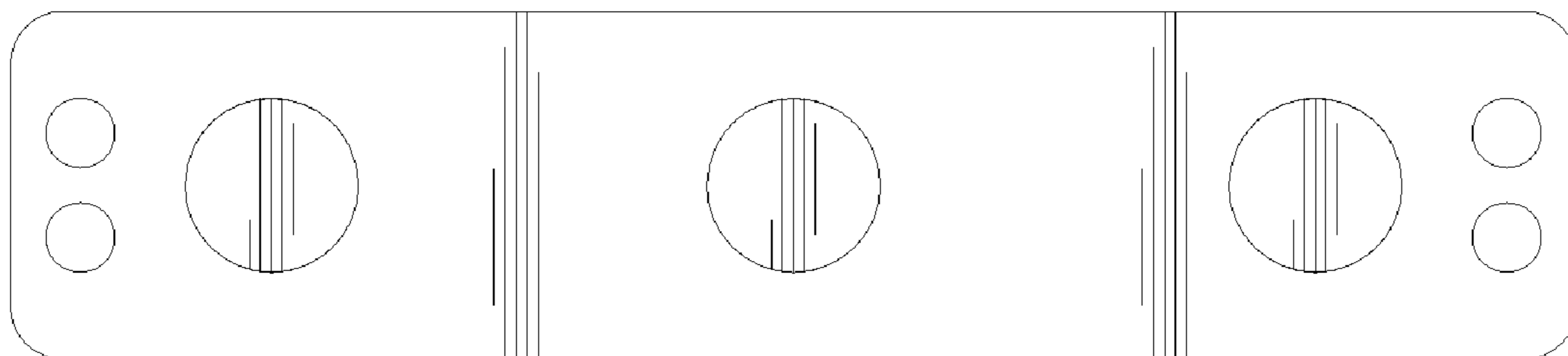


FIG. 3

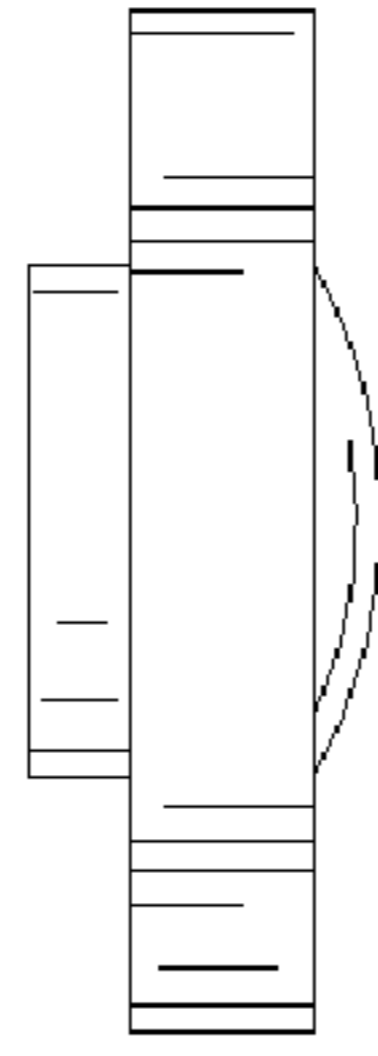


FIG. 4

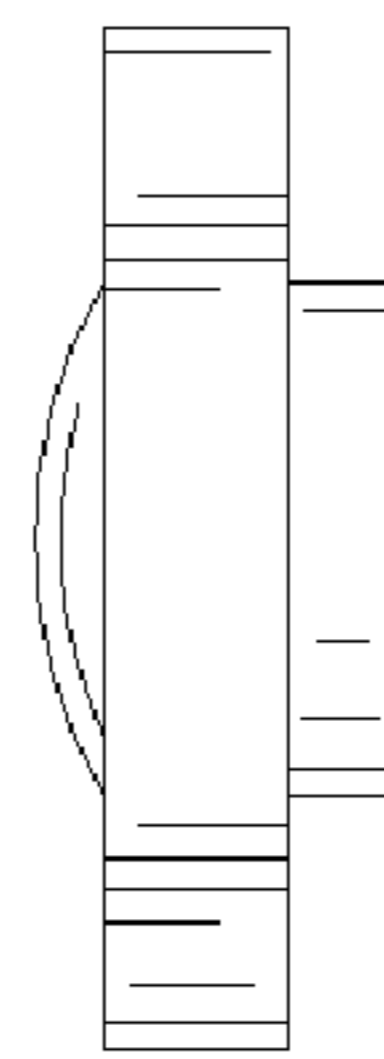


FIG. 5

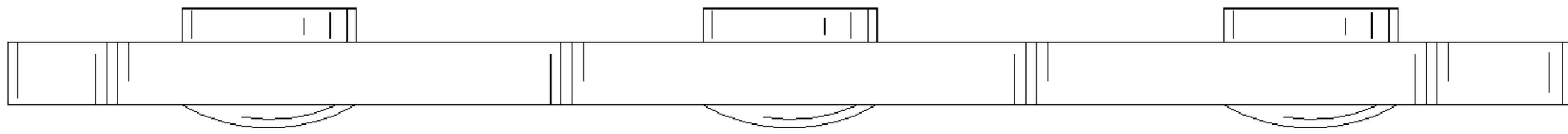


FIG. 6

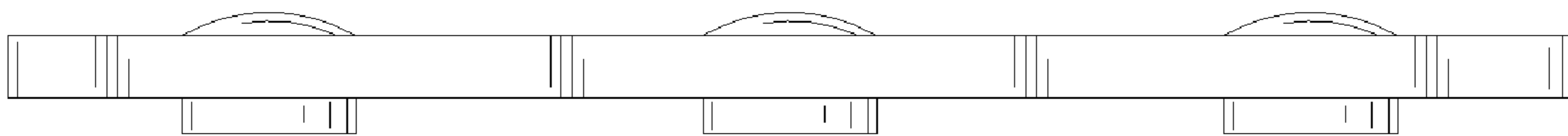


FIG. 7