



US00D578490S

(12) **United States Design Patent**
Lee et al.

(10) **Patent No.:** **US D578,490 S**
(45) **Date of Patent:** **** Oct. 14, 2008**

(54) **LIGHT-EMITTING DIODE**

(75) Inventors: **Jae Hee Lee**, Seoul (KR); **Jae Joon Yoon**, Suwon (KR); **Ok Hee Shin**, Suwon (KR)

(73) Assignee: **Samsung Electro-Mechanics Co., Ltd.**, Gyeonggi-Do (KR)

(**) Term: **14 Years**

(21) Appl. No.: **29/290,414**

(22) Filed: **Dec. 4, 2007**

(30) **Foreign Application Priority Data**

Sep. 7, 2007 (KR) 30-2007-0038261

(51) **LOC (8) Cl.** **13-03**

(52) **U.S. Cl.** **D13/180**

(58) **Field of Classification Search** D13/180;
D26/2; 257/79, 80, 81, 88, 89, 95, 98, 99,
257/100; 313/483, 498, 500; 362/555, 800
See application file for complete search history.

(56) **References Cited**

U.S. PATENT DOCUMENTS

D476,960 S * 7/2003 Fukasawa et al. D13/182
D478,879 S * 8/2003 Imai D13/182
D497,883 S * 11/2004 Wedig et al. D13/180
D499,075 S * 11/2004 Yoon et al. D13/180
6,834,977 B2 * 12/2004 Suehiro et al. 362/187

7,126,163 B2 * 10/2006 Katoh 257/99
D562,271 S * 2/2008 Son D13/180
D562,782 S * 2/2008 Son D13/180
7,378,728 B2 * 5/2008 Ito et al. 257/693
2006/0186427 A1 * 8/2006 Takine et al. 257/99

FOREIGN PATENT DOCUMENTS

KR 30-0453608 6/2007

* cited by examiner

Primary Examiner—Selina Sikder

(74) *Attorney, Agent, or Firm*—McDermott Will & Emery LLP

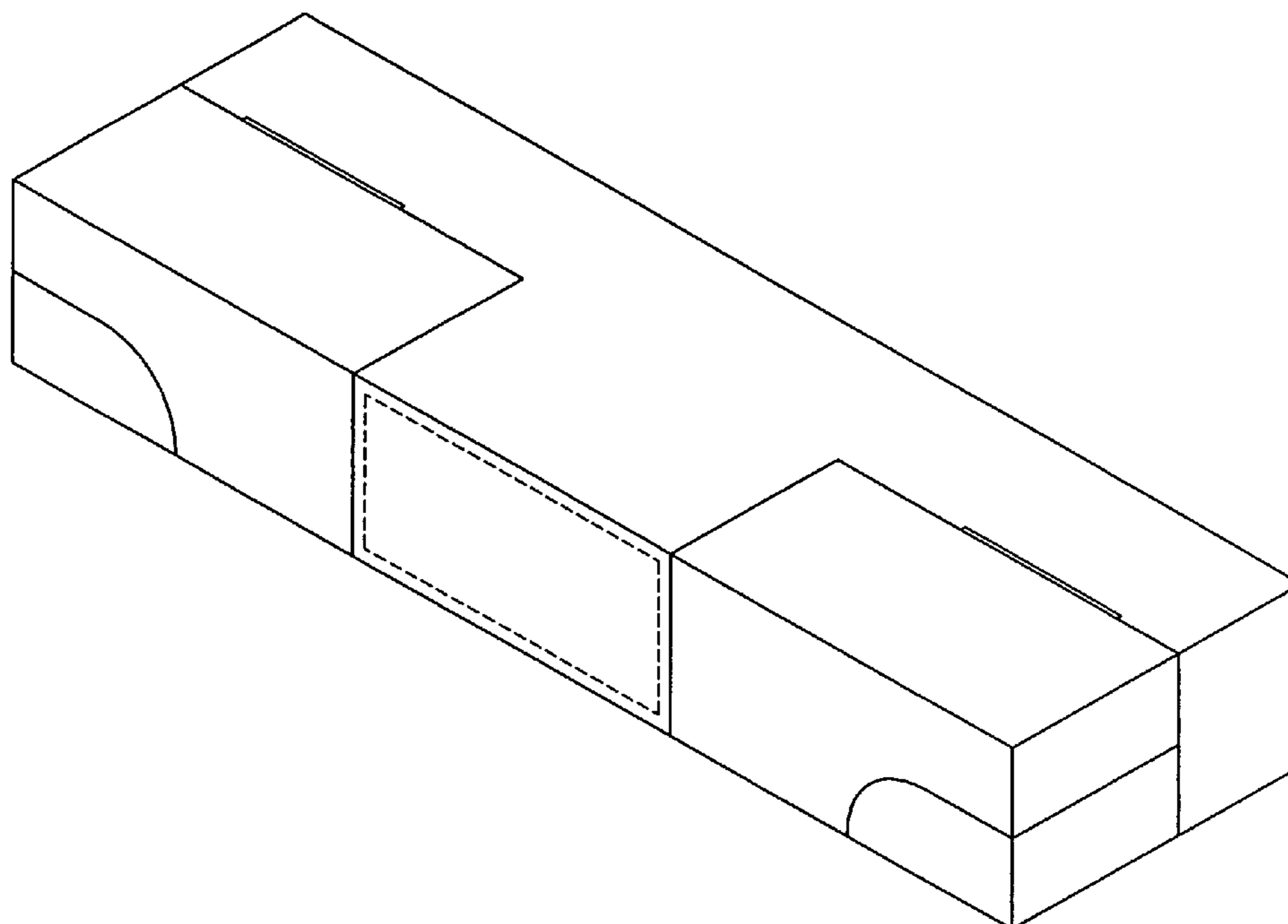
(57) **CLAIM**

We claim the ornamental design for a light-emitting diode, as shown and described.

DESCRIPTION

FIG. 1 is the perspective view of the light emitting diode
FIG. 2 is the front view thereof
FIG. 3 is the rear view thereof
FIG. 4 is the left side view thereof (the right side view thereof is a mirror image of this)
FIG. 5 is the top plan view thereof
FIG. 6 is the bottom view thereof; and,
FIG. 7 is a bottom perspective view thereof.
The broken lines represent unclaimed subject matter.

1 Claim, 3 Drawing Sheets



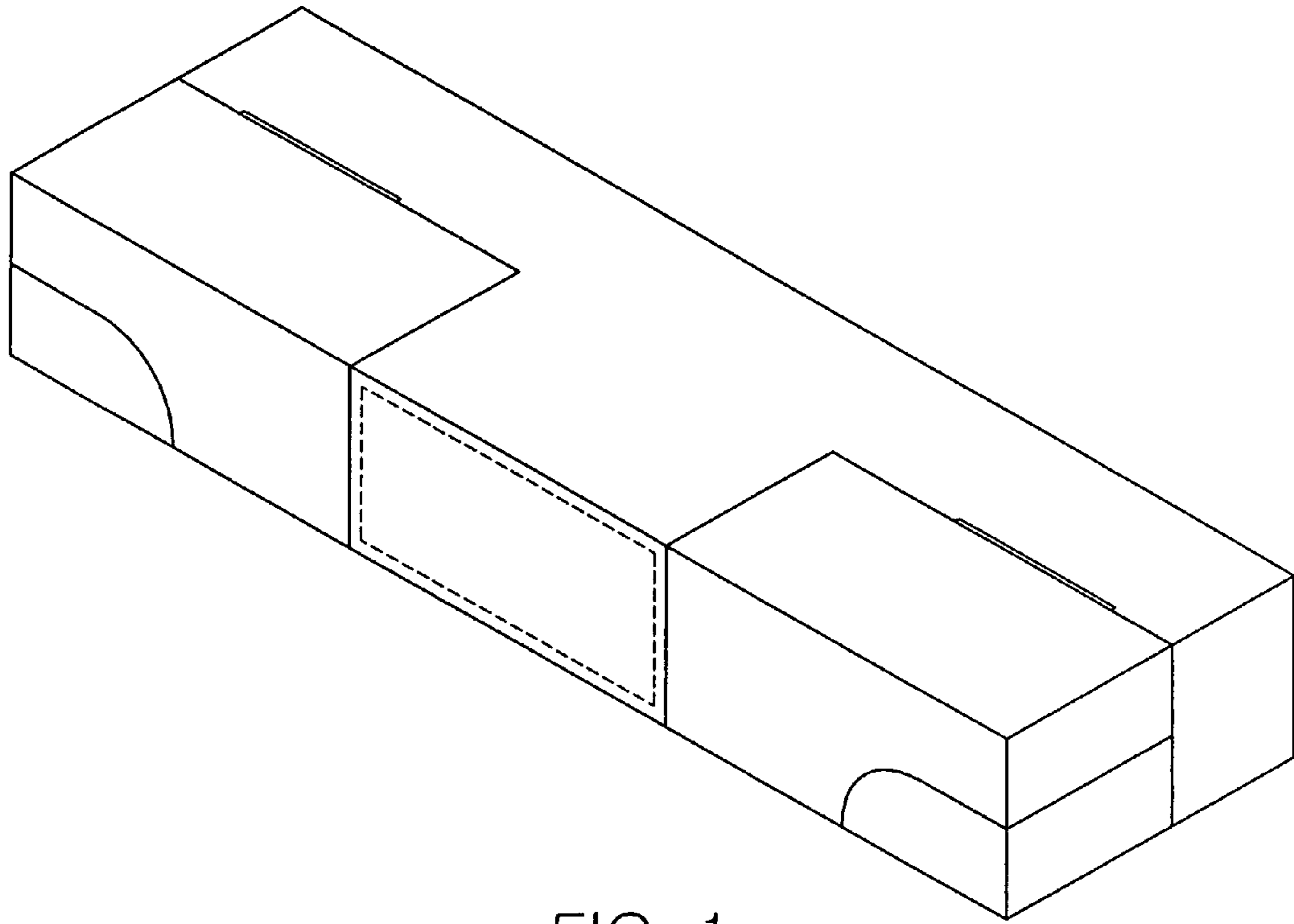


FIG. 1

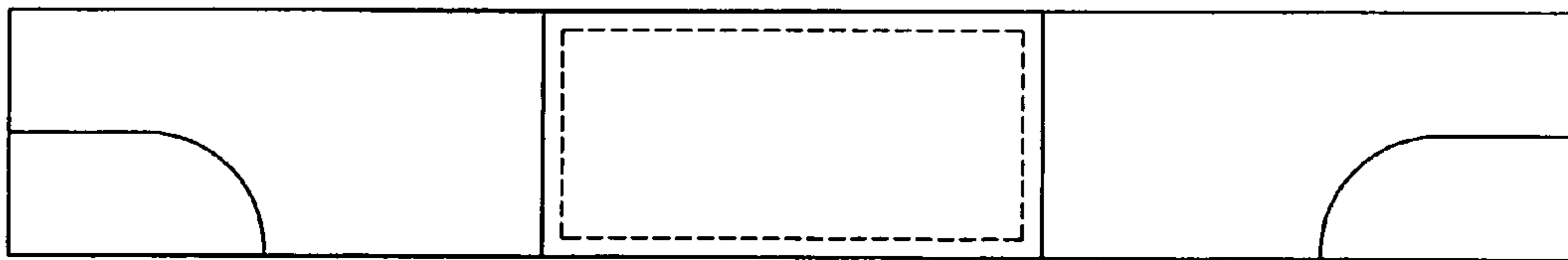


FIG. 2

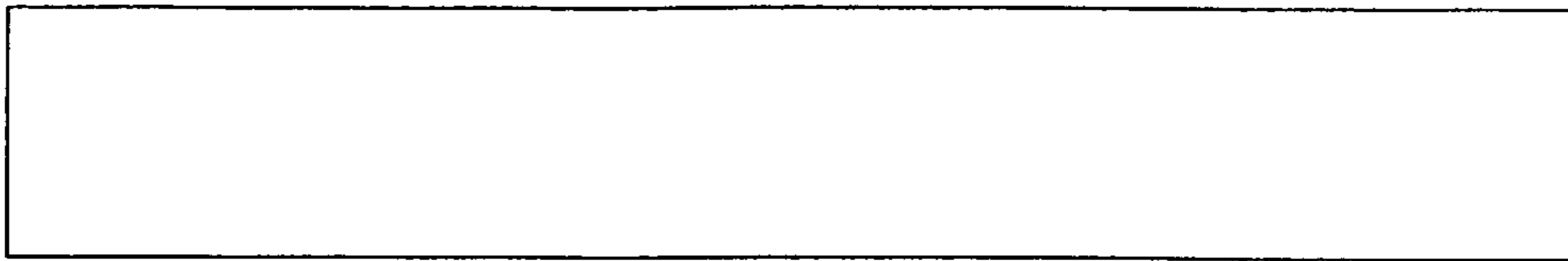


FIG. 3

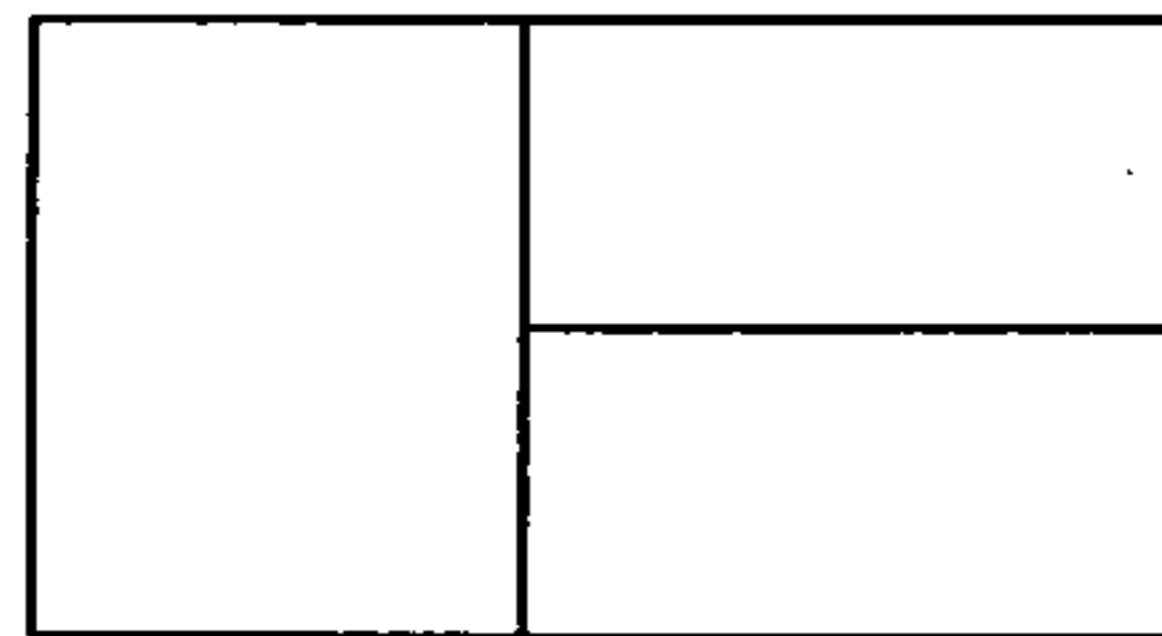


FIG. 4

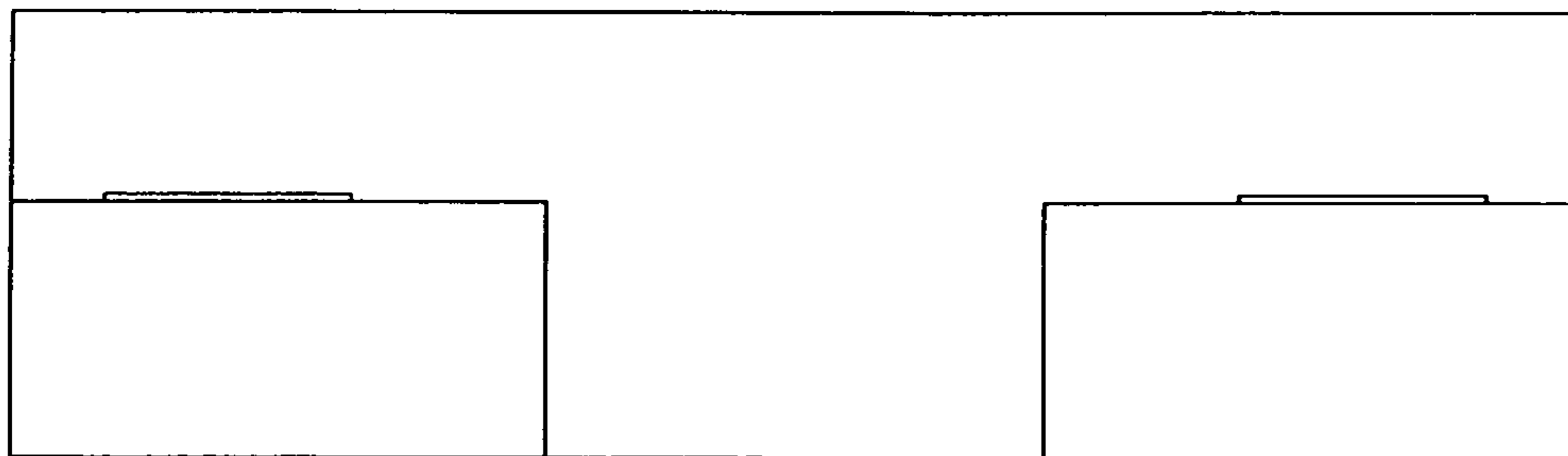


FIG. 5

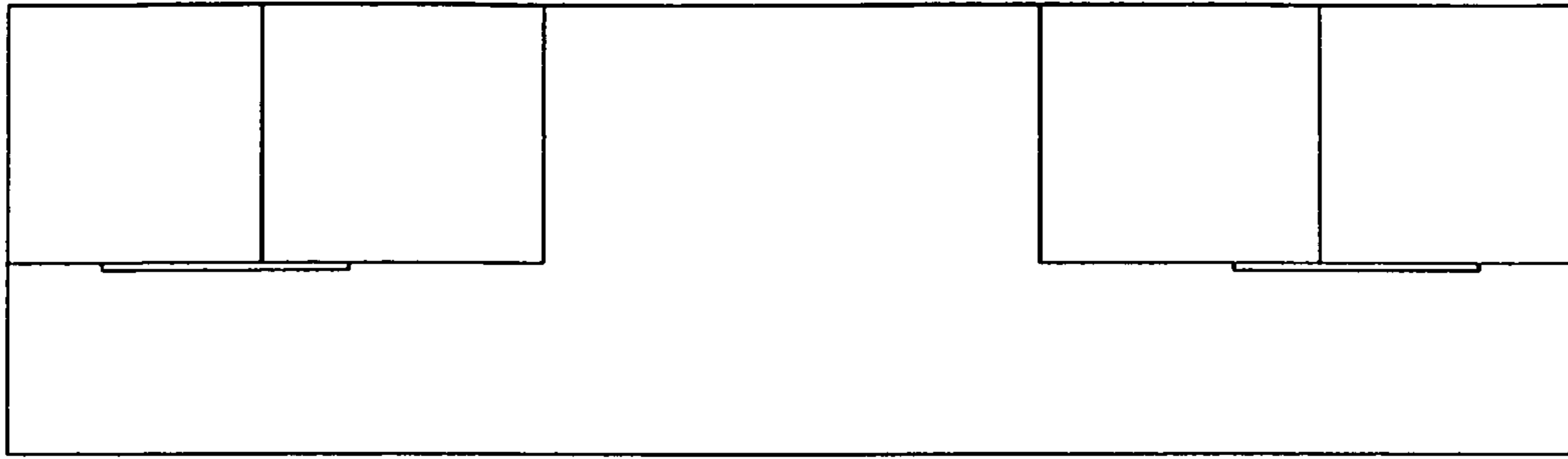


FIG. 6

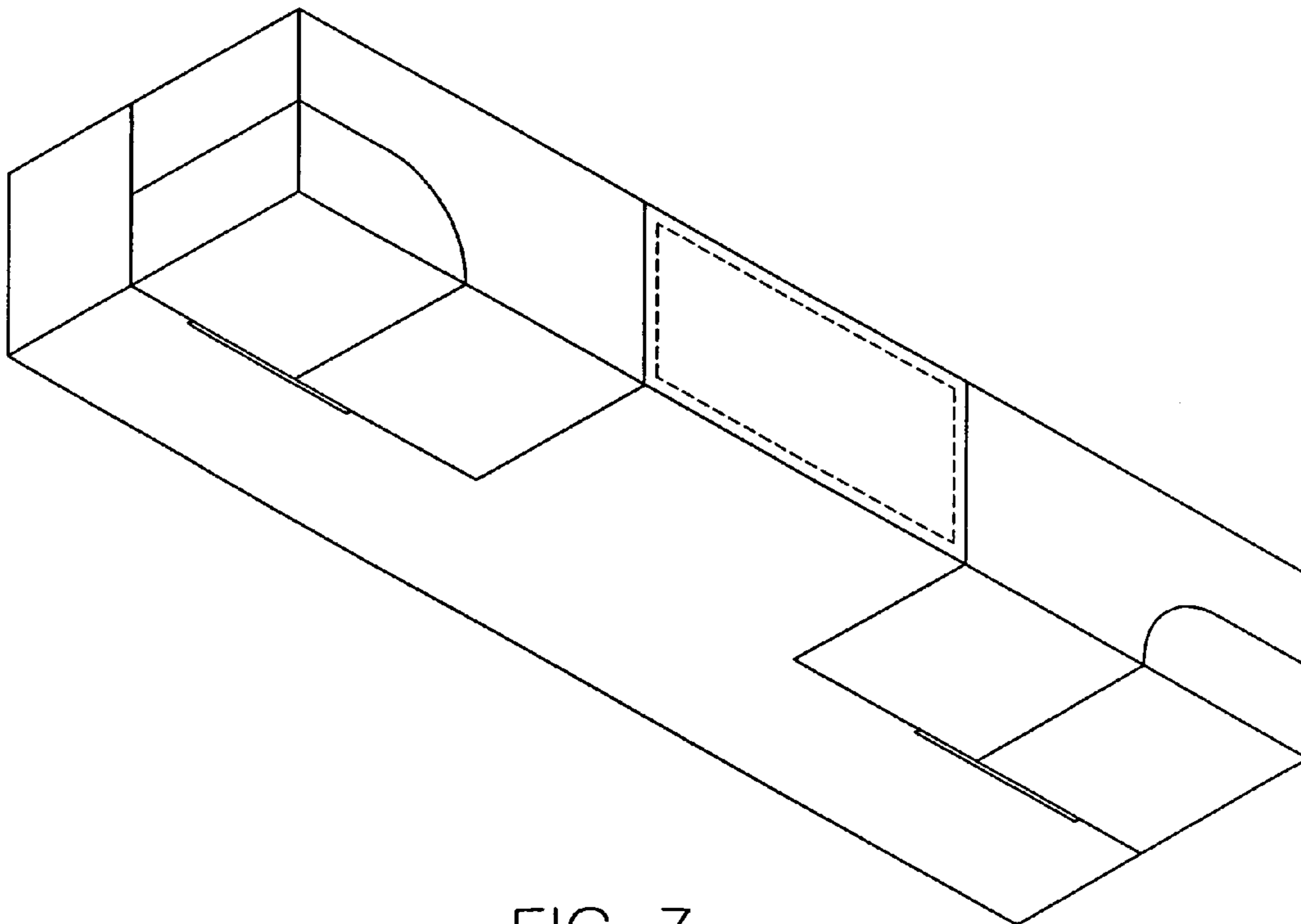


FIG. 7