

US00D578487S

(12) **United States Design Patent**
Han et al.

(10) **Patent No.:** **US D578,487 S**

(45) **Date of Patent:** **** Oct. 14, 2008**

(54) **JACK CONNECTOR**

D556,137 S * 11/2007 Lin et al. D13/133
D558,674 S * 1/2008 Lin et al. D13/133

(75) Inventors: **Hong-Qiang Han**, Kunshan (CN); **Xue Li**, Kunshan (CN); **Zi-Qiang Zhu**, Kunshan (CN); **Lun-Song Hu**, Kunshan (CN)

* cited by examiner

Primary Examiner—Daniel D Bui

(74) *Attorney, Agent, or Firm*—Wei Te Chung

(73) Assignee: **Hon Hai Precision Ind. Co., Ltd.**, Taipei Hsien (TW)

(57) **CLAIM**

(**) Term: **14 Years**

The ornamental design for a jack connector, as shown and described.

(21) Appl. No.: **29/293,631**

(22) Filed: **Dec. 5, 2007**

DESCRIPTION

(30) **Foreign Application Priority Data**

Jun. 6, 2007 (CN) 2007 3 0037250

FIG. 1 is a front, top and right side perspective view of a jack connector showing our new design;

FIG. 2 is a front elevational view thereof;

FIG. 3 is a rear elevational view thereof;

FIG. 4 is a left side elevational view thereof;

FIG. 5 is a right side elevational view thereof;

FIG. 6 is a top plan view thereof; and,

FIG. 7 is a bottom plan view thereof.

(51) **LOC (8) Cl.** **13-03**

(52) **U.S. Cl.** **D13/154**

(58) **Field of Classification Search** D13/133,
D13/146, 147, 154, 184; 439/607–610, 660,
439/668, 892, 894

See application file for complete search history.

The broken line showing unclaimed subject matter of the internal elements of the connector is for illustrative purposes only and forms no part of the claimed design.

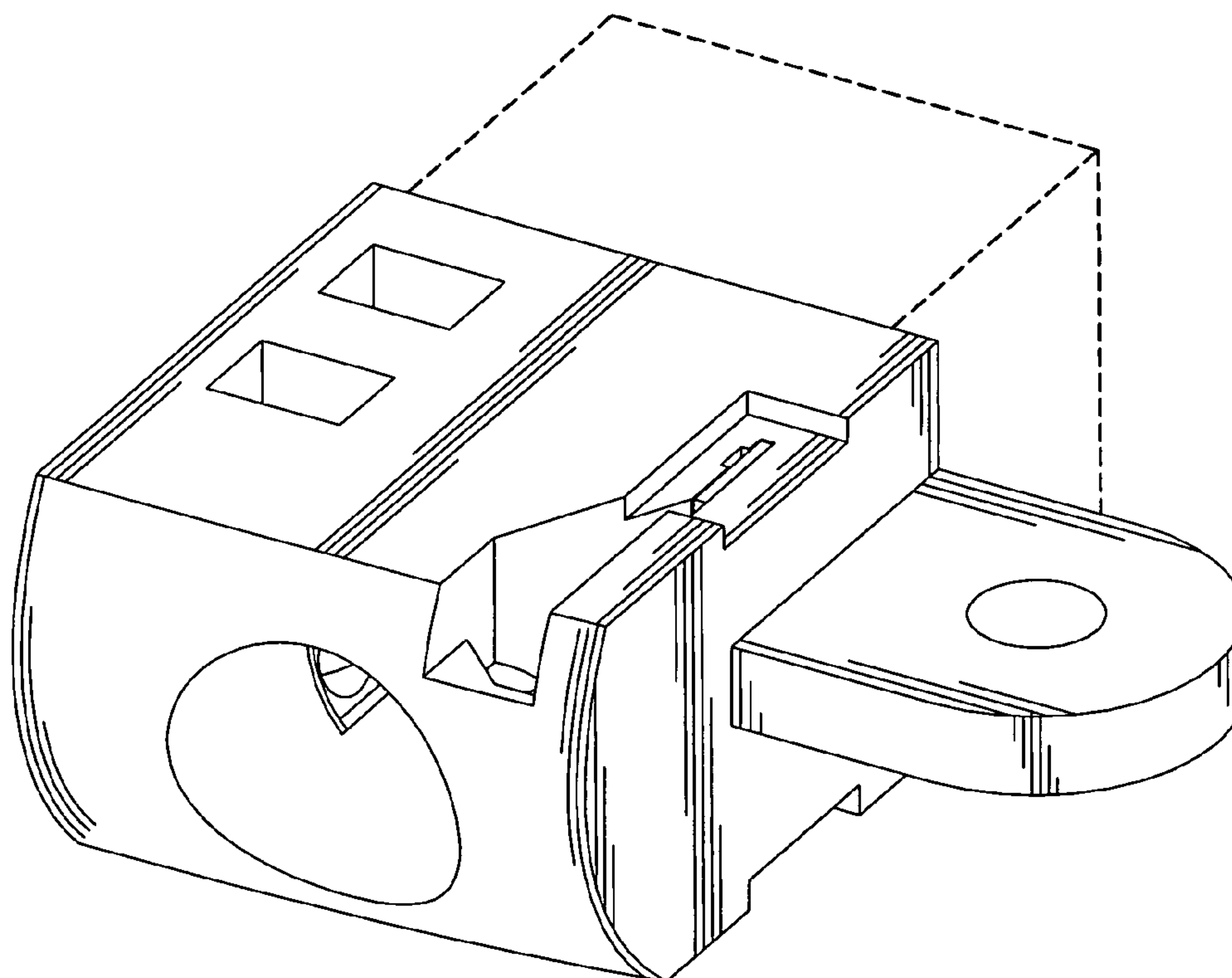
(56) **References Cited**

U.S. PATENT DOCUMENTS

D431,528 S * 10/2000 Zhu et al. D13/133

D553,083 S * 10/2007 Han et al. D13/133

1 Claim, 7 Drawing Sheets



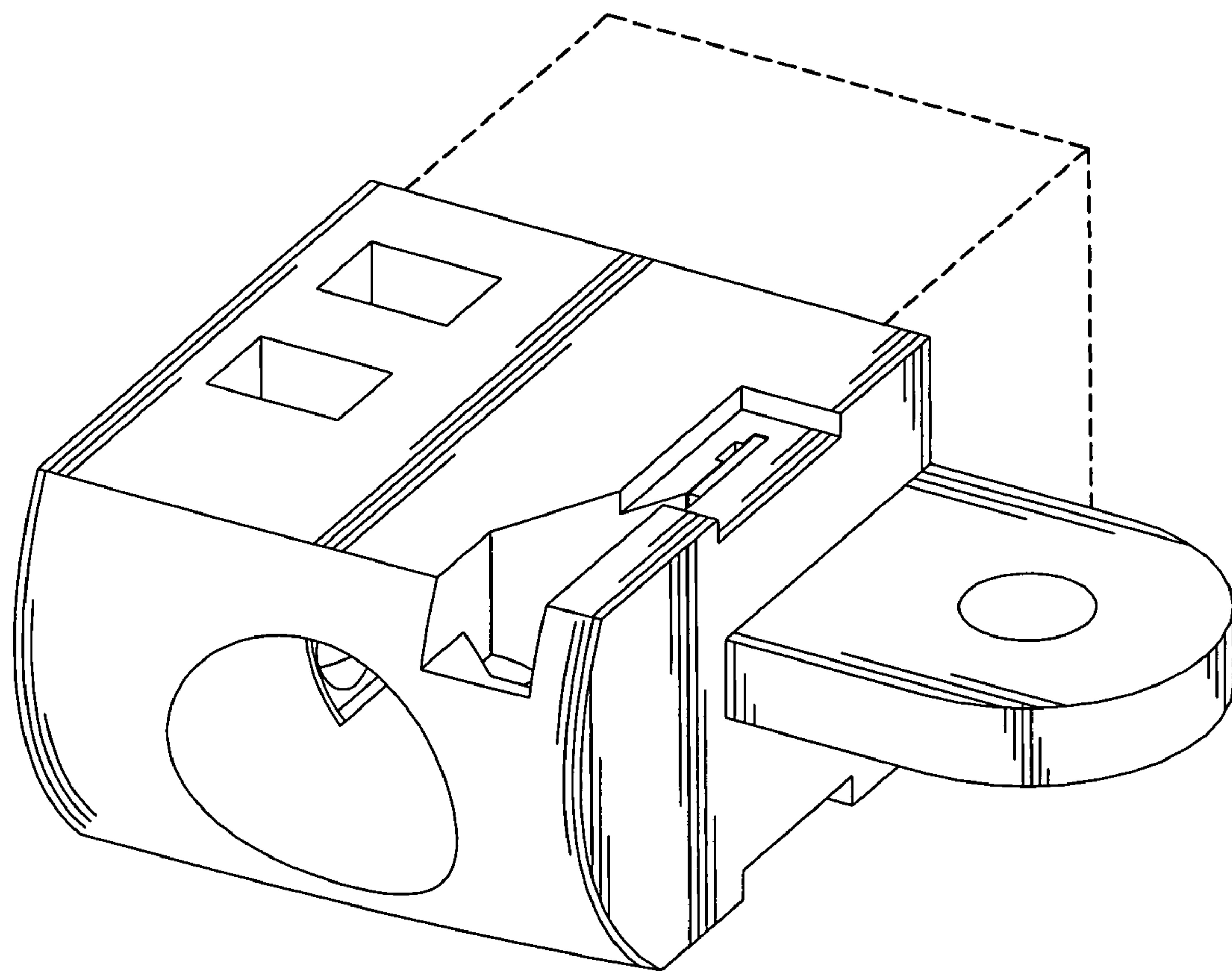


FIG. 1

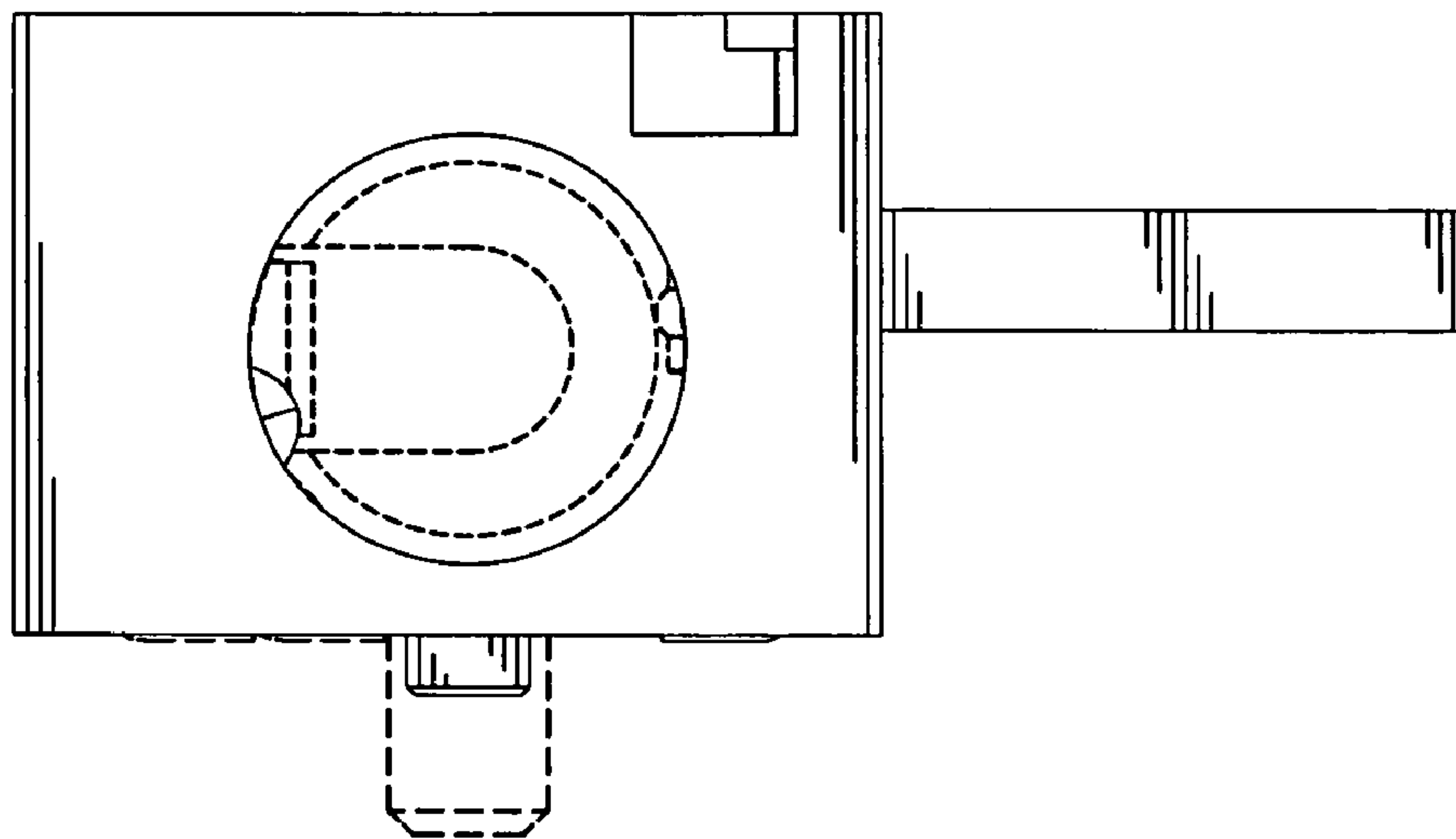


FIG. 2

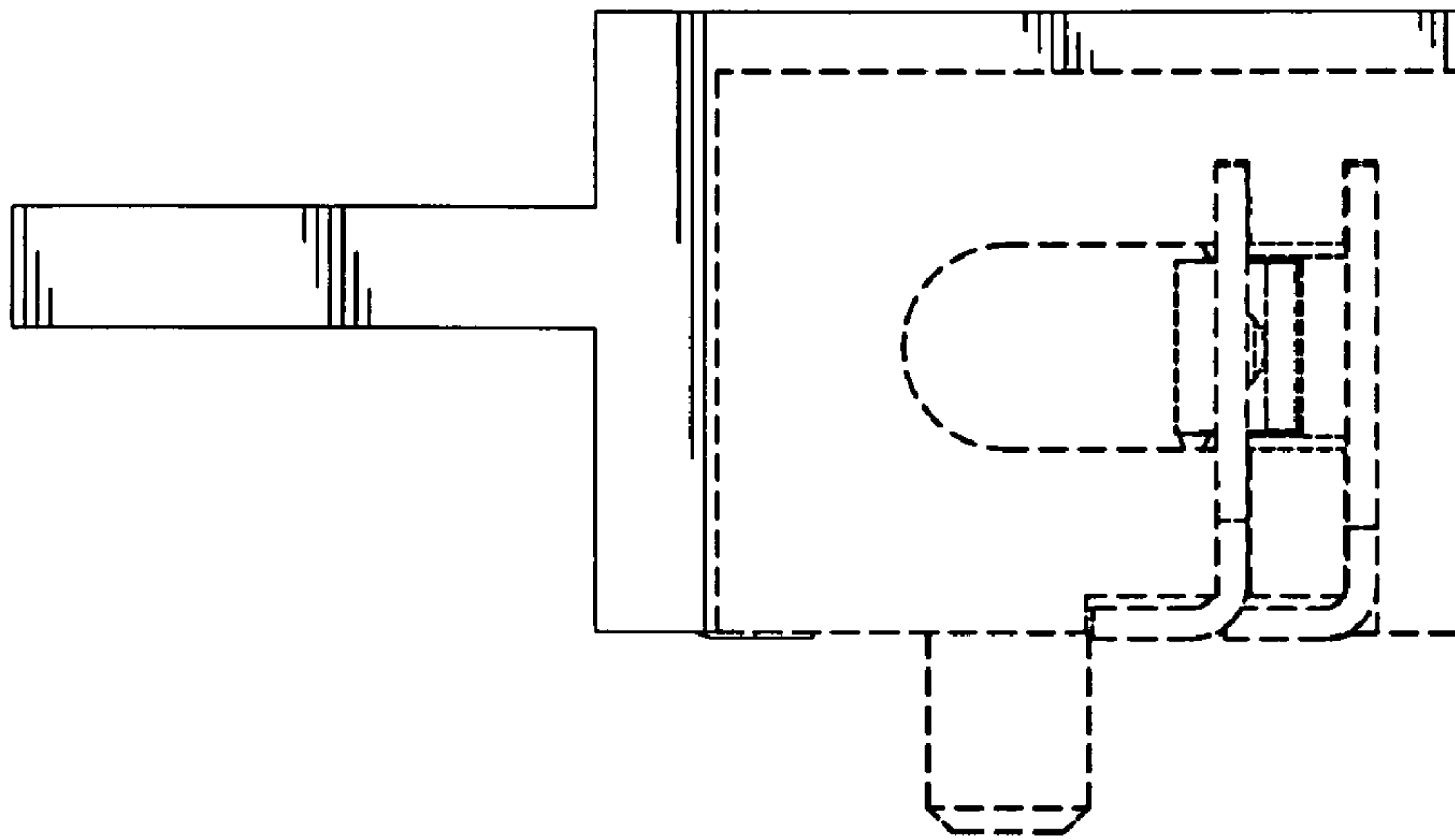


FIG. 3

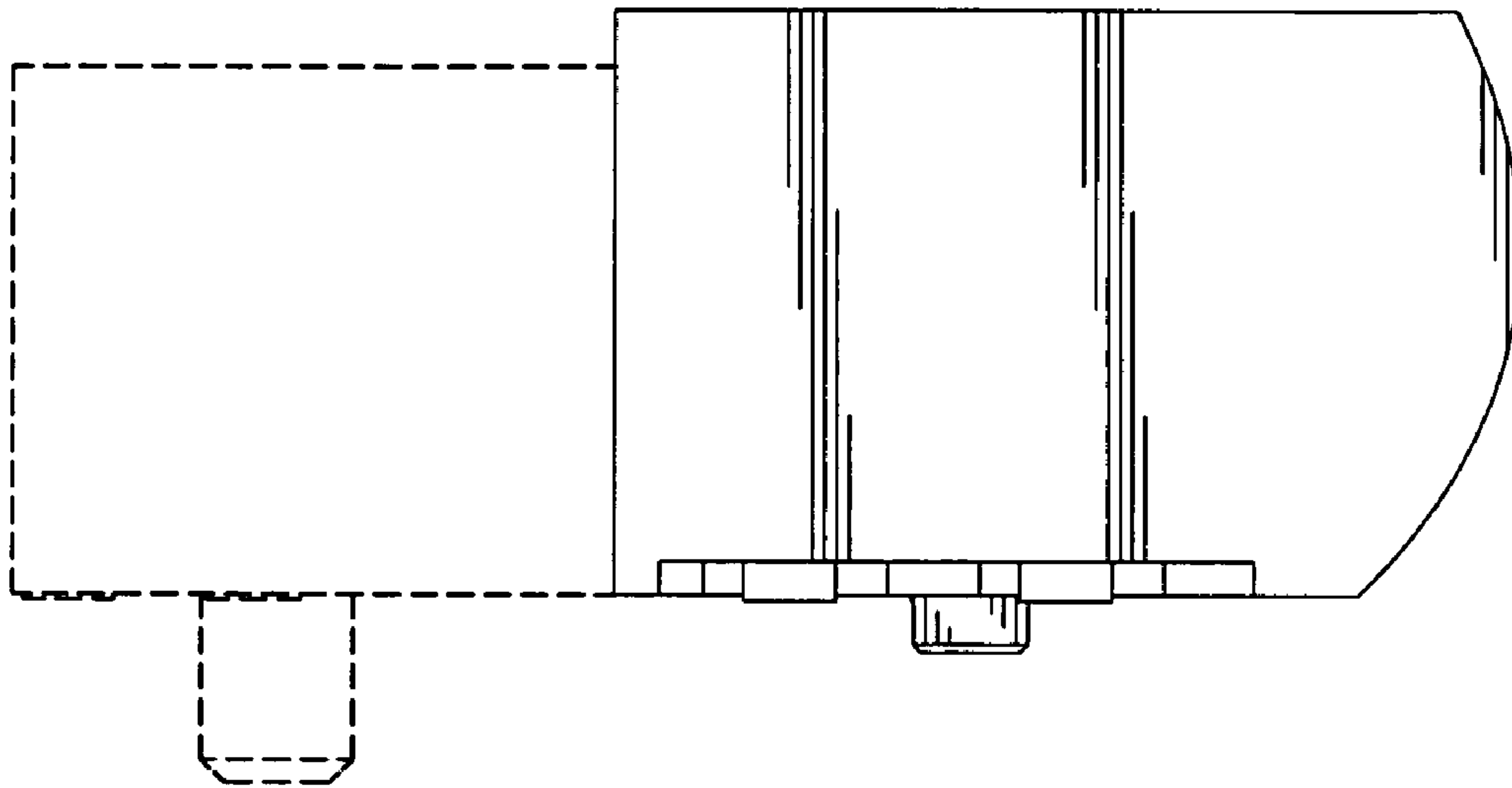


FIG. 4

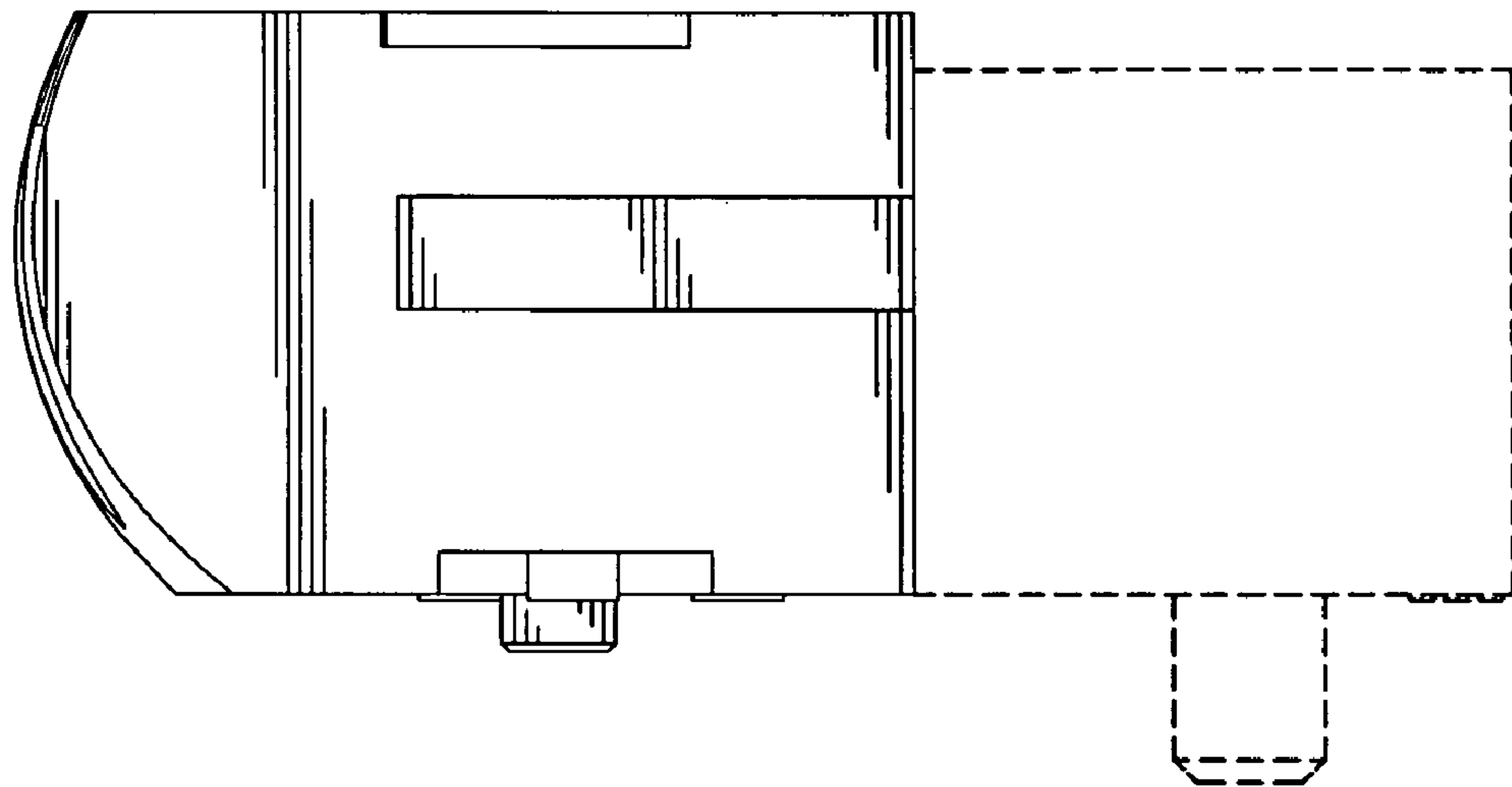


FIG. 5

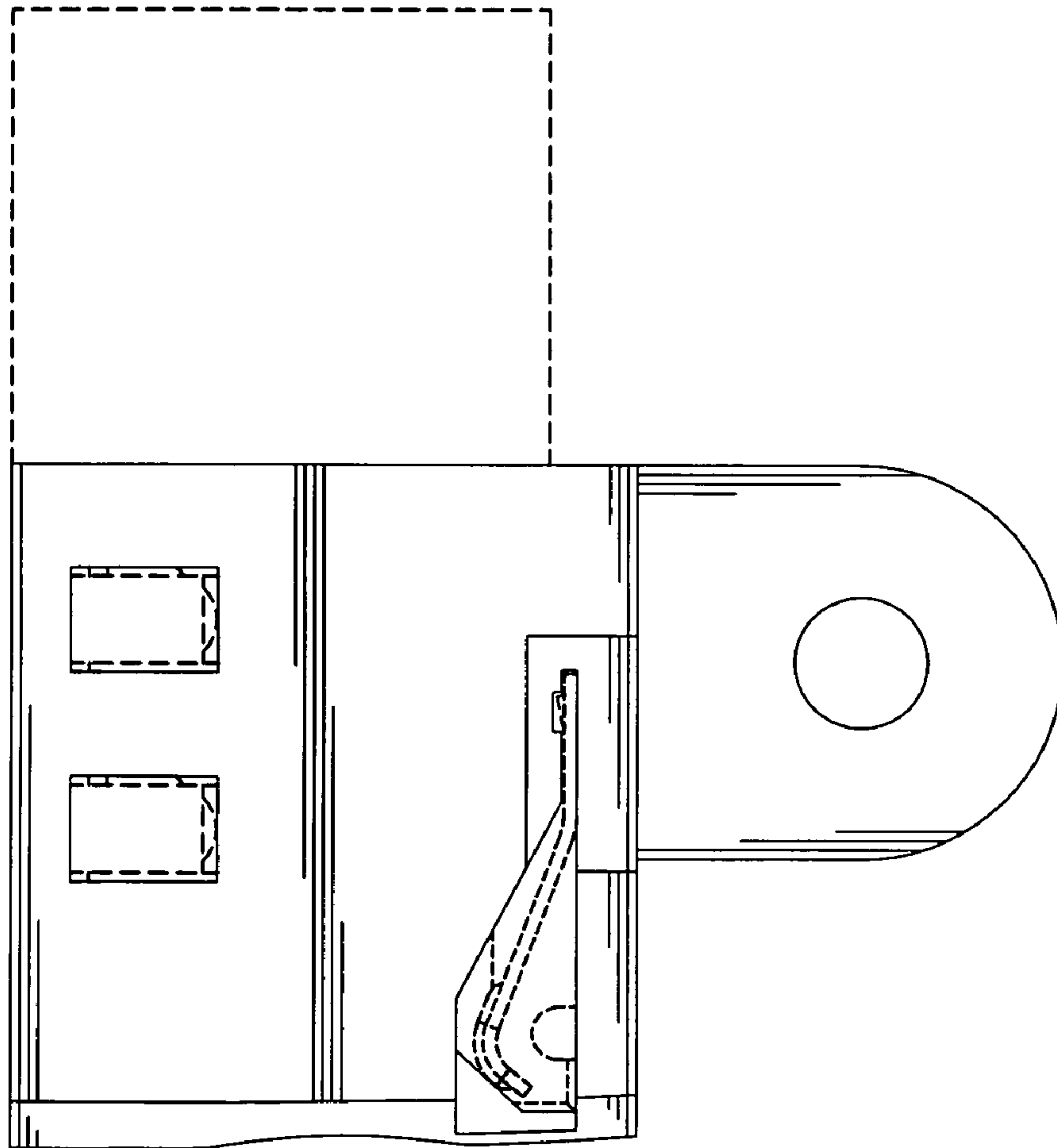


FIG. 6

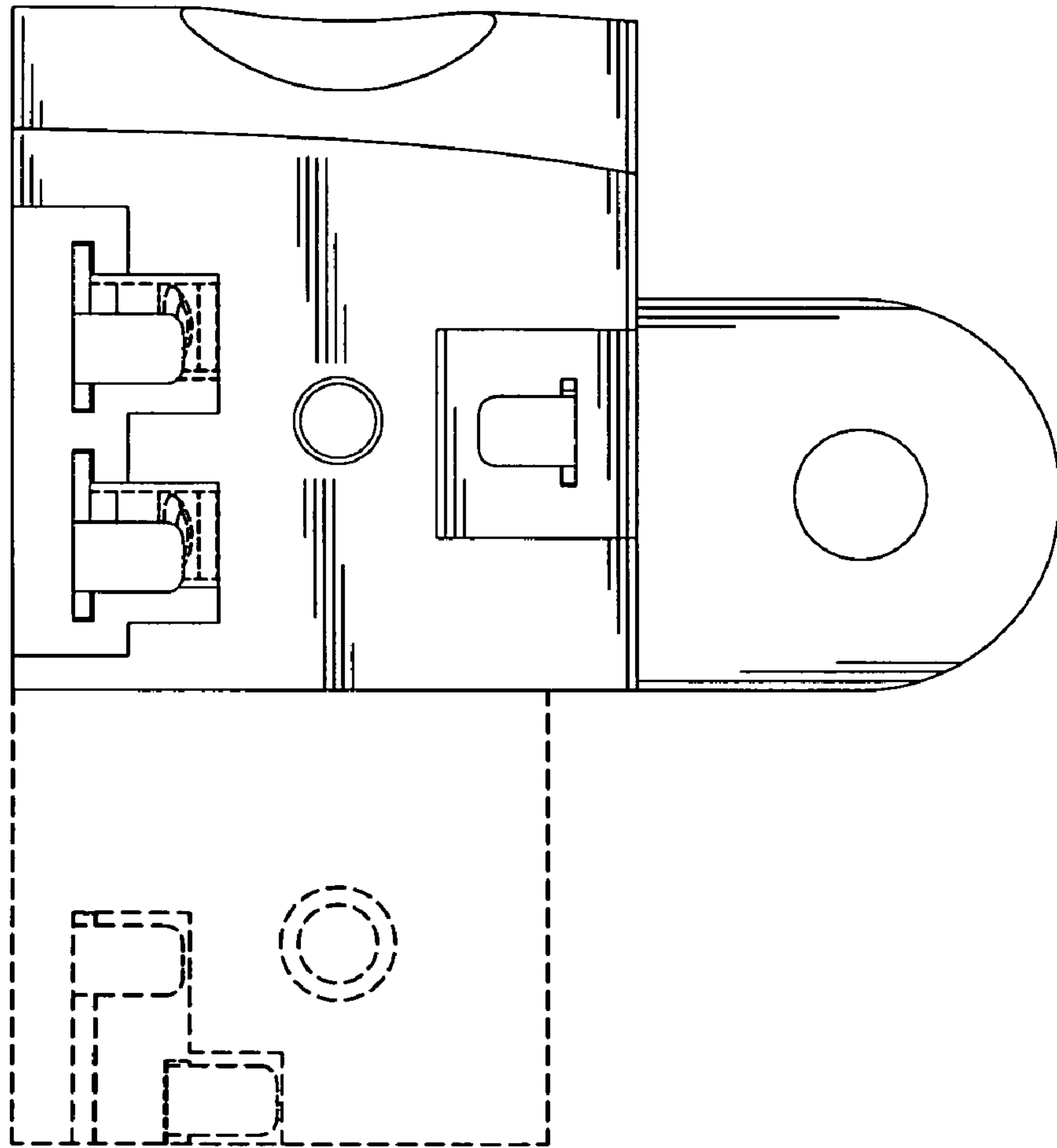


FIG. 7