



US00D578485S

(12) **United States Design Patent**  
**Uramatsu et al.**

(10) **Patent No.:** **US D578,485 S**  
(45) **Date of Patent:** **\*\* Oct. 14, 2008**

(54) **ELECTRIC CONNECTOR HOUSING**

(75) Inventors: **Satoshi Uramatsu**, Tokyo (JP); **Shinji Yamaguchi**, Tokyo (JP); **Yoshikazu Tanaka**, Tokyo (JP); **Tetsu Hirose**, Tokyo (JP); **Naohito Sasaki**, Tokyo (JP)

(73) Assignee: **Mitsubishi Cable Industries Ltd.**, Tokyo (JP)

(\*\*) Term: **14 Years**

(21) Appl. No.: **29/285,943**

(22) Filed: **Apr. 17, 2007**

(30) **Foreign Application Priority Data**

Oct. 19, 2006 (JP) ..... 2006-028305

(51) **LOC (8) Cl.** ..... **13-03**

(52) **U.S. Cl.** ..... **D13/154; D13/184; D13/147**

(58) **Field of Classification Search** ..... D13/133, D13/146, 147, 154, 184, 199; 439/248, 350, 439/357, 352-354, 540.1, 603, 607, 660, 439/677, 680-682, 752

See application file for complete search history.

(56) **References Cited**

**U.S. PATENT DOCUMENTS**

5,803,768	A *	9/1998	Zell et al.	439/608
D438,843	S *	3/2001	Middlehurst	D13/147
6,364,710	B1 *	4/2002	Billman et al.	439/608
D459,310	S *	6/2002	Tanaka	D13/147
D459,702	S *	7/2002	Watanabe	D13/147
6,960,103	B2 *	11/2005	Tokunaga	439/608

D561,104	S *	2/2008	Sakamoto	D13/147
D564,968	S *	3/2008	Sakamoto	D13/147
D564,984	S *	3/2008	Ward	D13/184
7,338,321	B2 *	3/2008	Laurx	439/608

**OTHER PUBLICATIONS**

Related U.S. Appl. No. 29/285,944, filed Apr. 17, 2007; Satoshi Uramatsu, et al.

\* cited by examiner

*Primary Examiner*—Daniel D Bui

*Assistant Examiner*—Thomas J Johannes

(74) *Attorney, Agent, or Firm*—Frishauf, Holtz, Goodman & Chick, P.C.

(57) **CLAIM**

The ornamental design for an electric connector housing, as shown and described.

**DESCRIPTION**

FIG. 1 is a front elevational view of an electric connector housing showing our new design;

FIG. 2 is a cross-sectional plan view thereof taken along line 2—2 of FIG. 1;

FIG. 3 is a left side elevational view thereof;

FIG. 4 is a right side elevational view thereof;

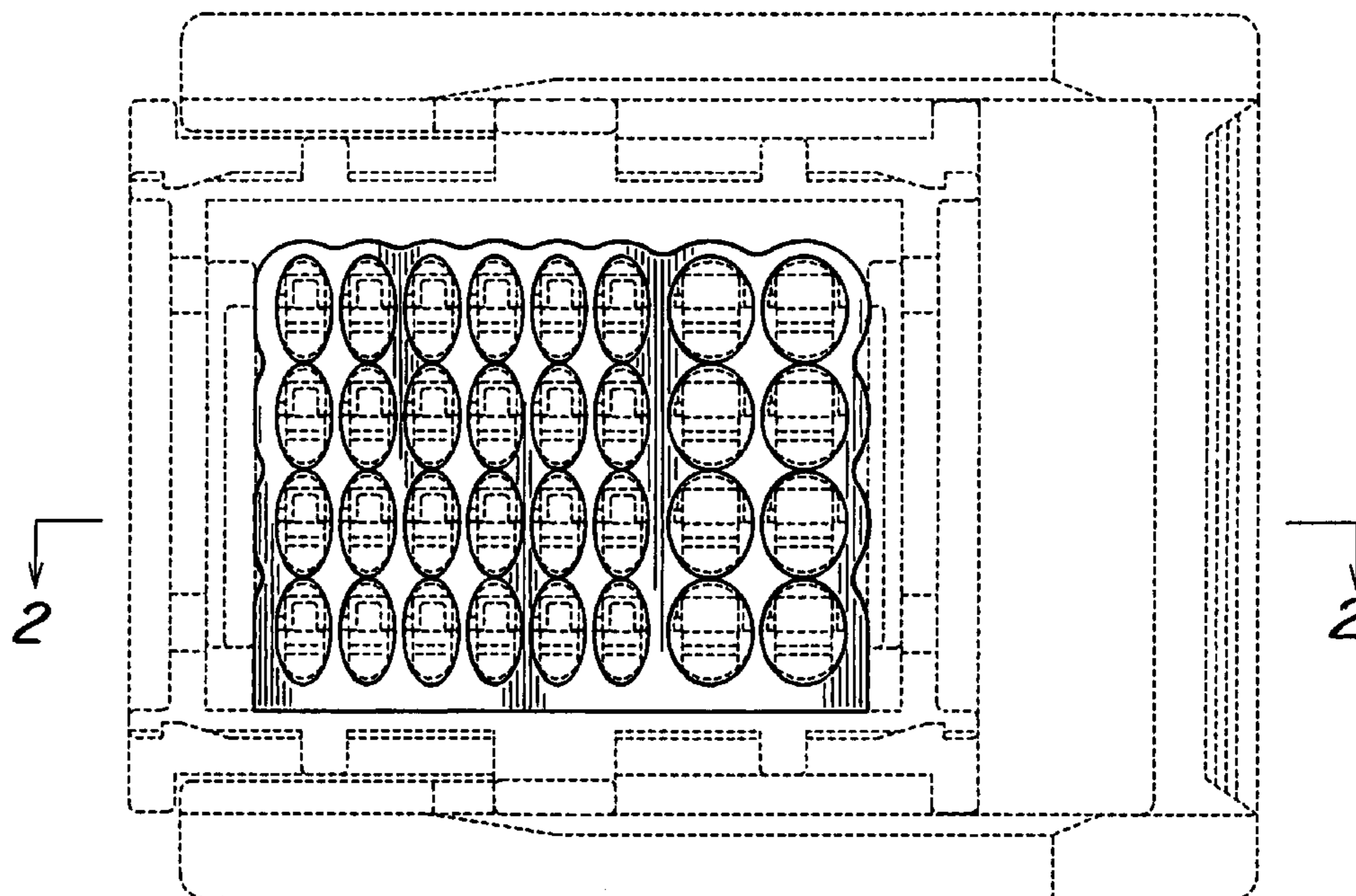
FIG. 5 is a top plan view thereof;

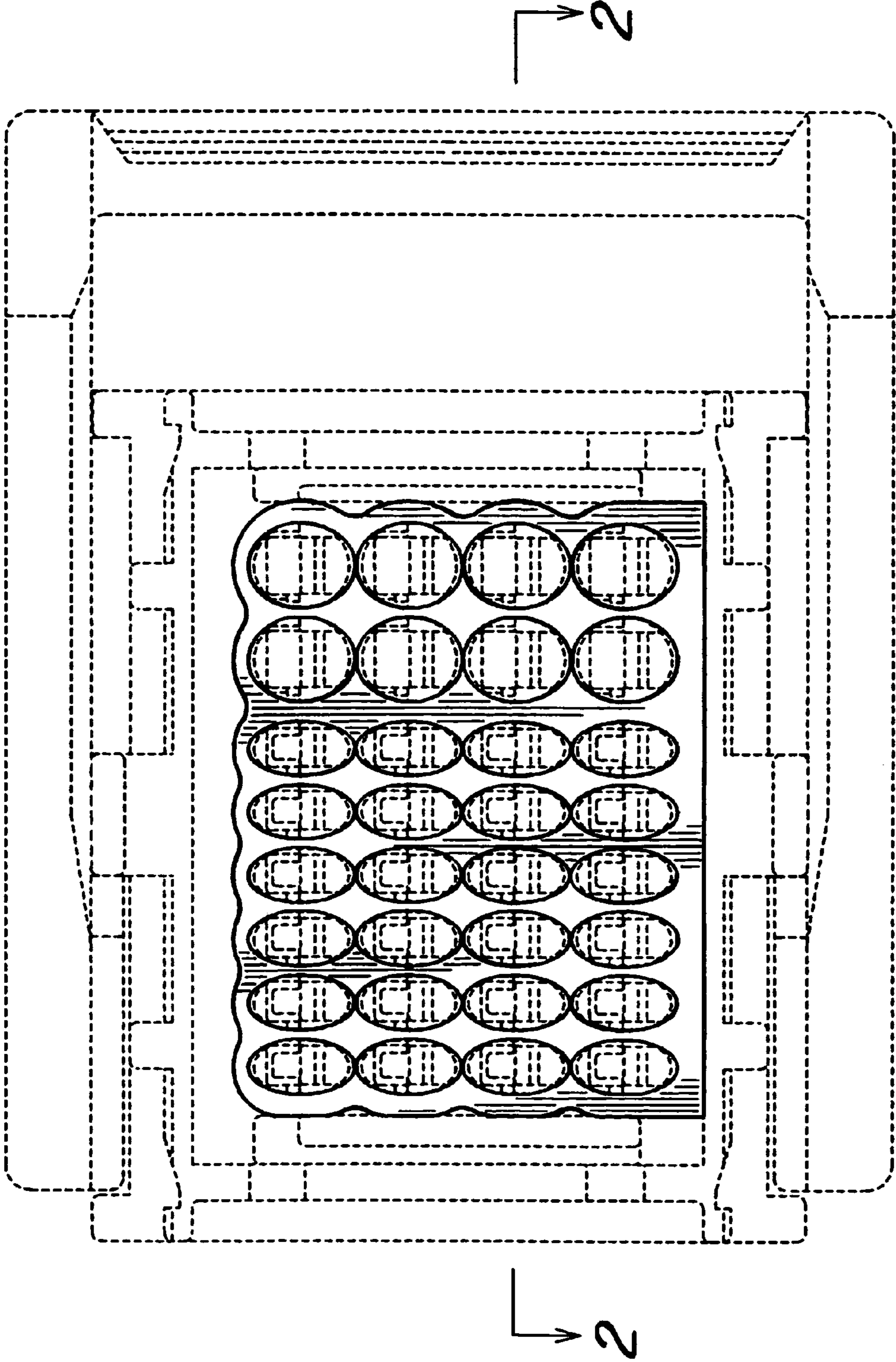
FIG. 6 is a bottom plan view thereof; and,

FIG. 7 is a rear elevational view thereof.

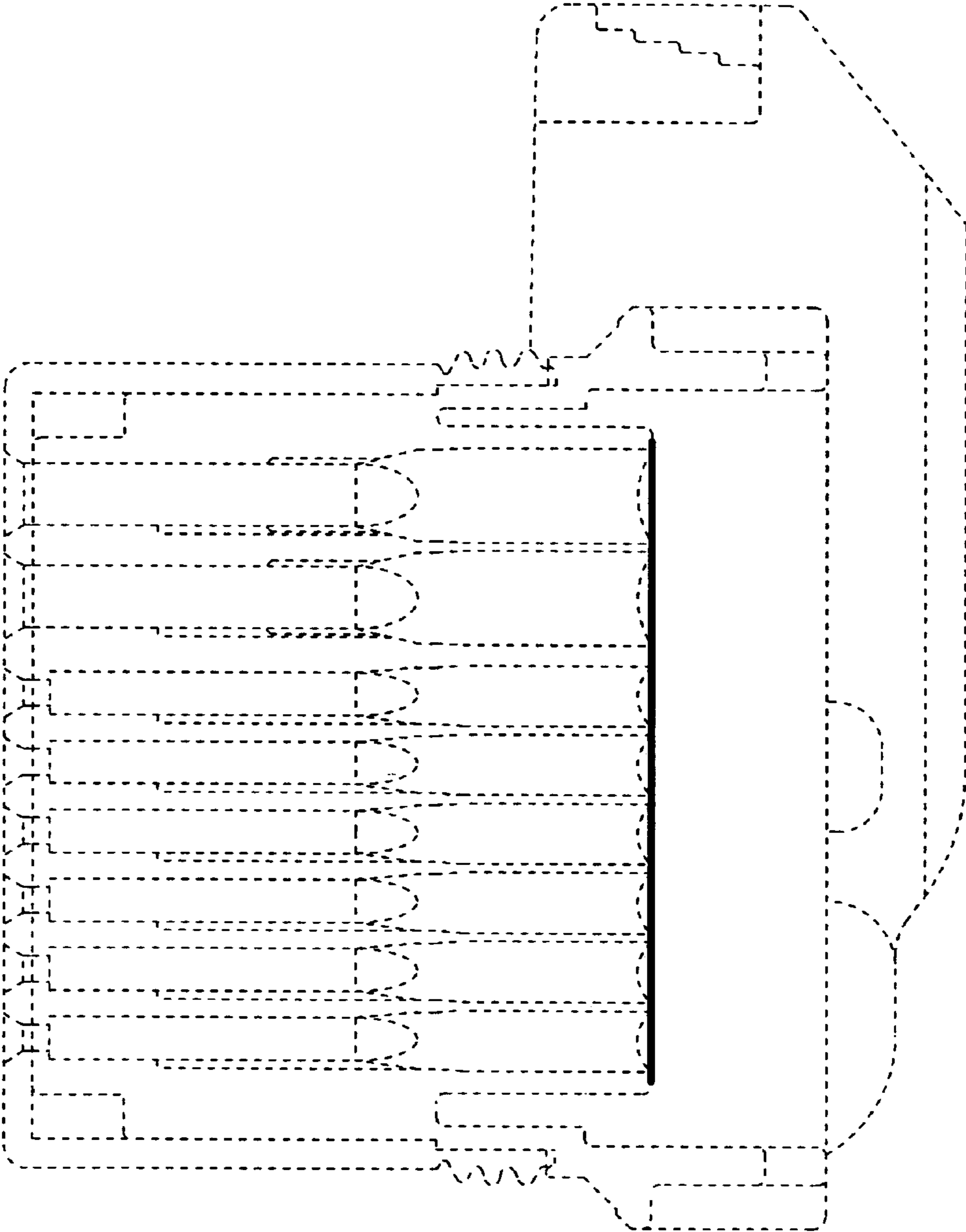
The broken line showing in the drawings is for illustrative purposes only and forms no part of the claimed design.

**1 Claim, 7 Drawing Sheets**

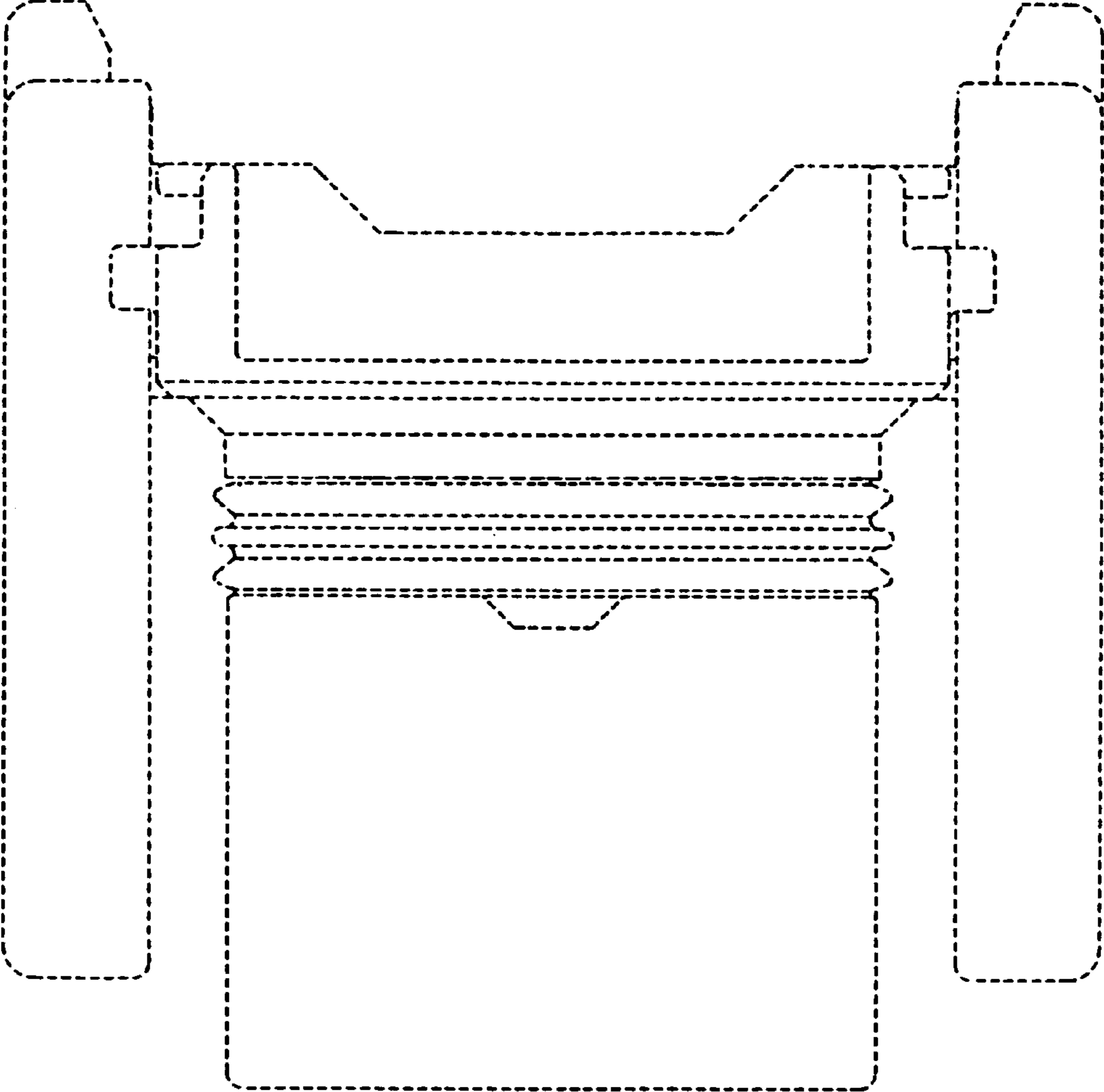




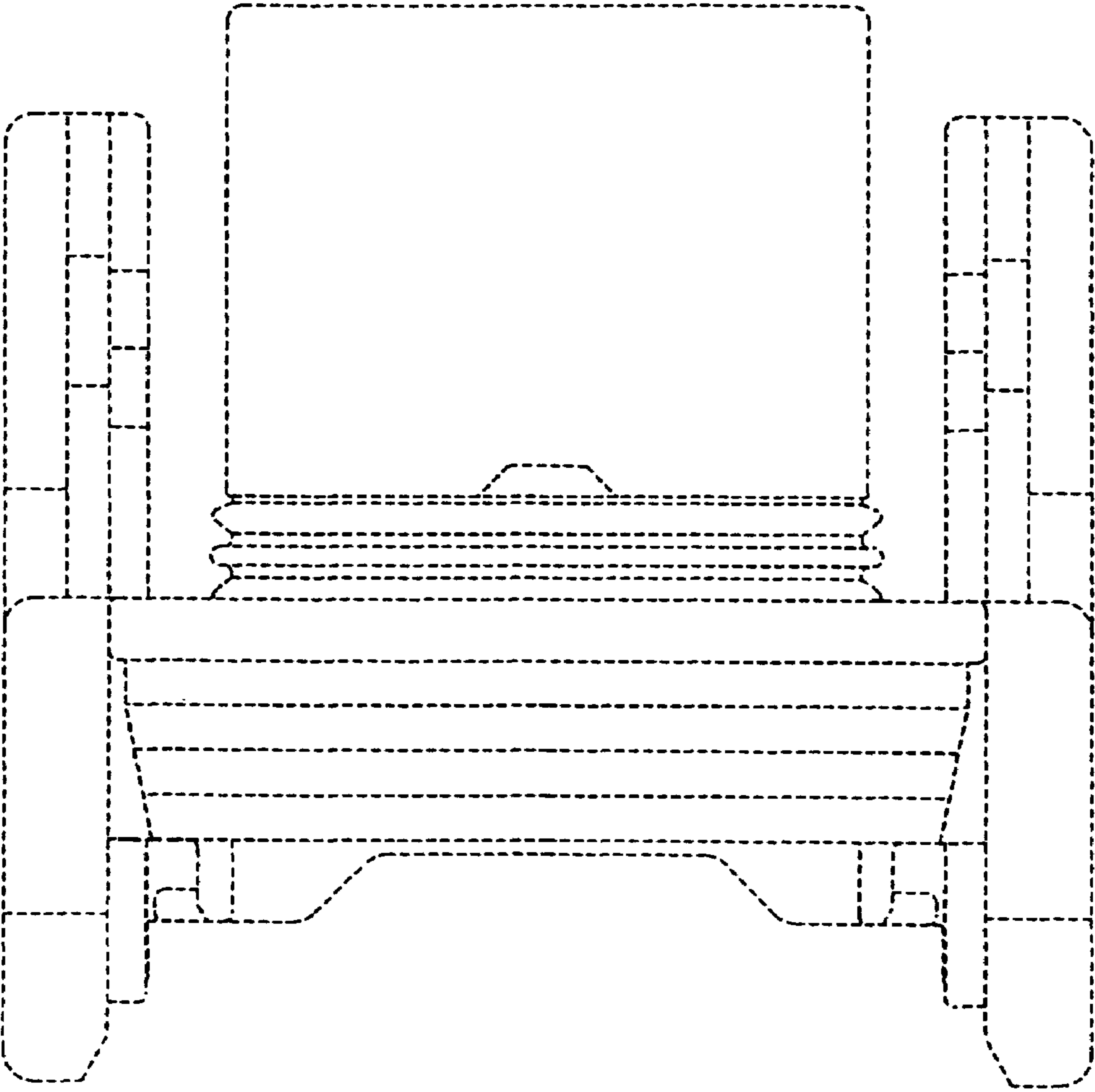
*Fig. 1*



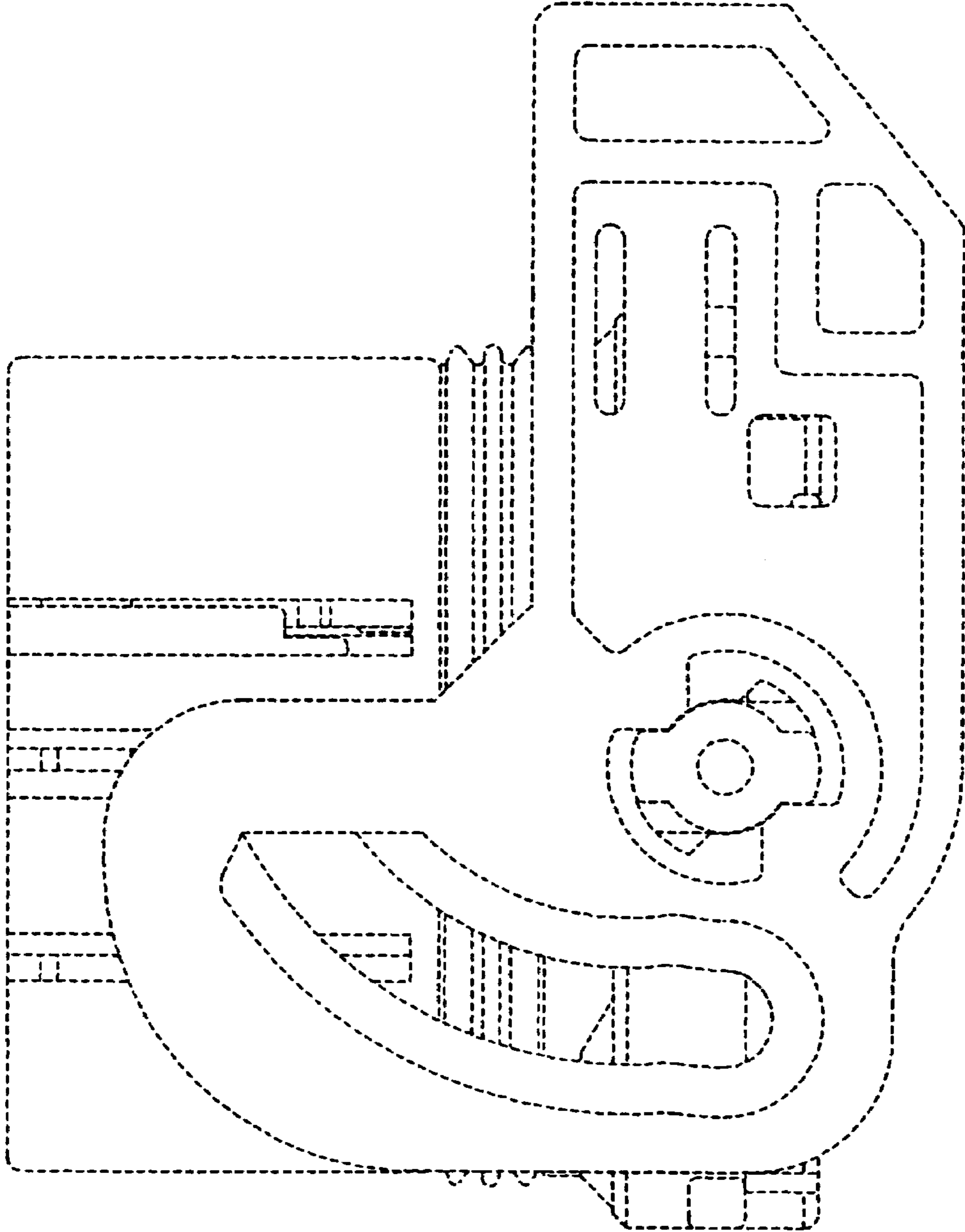
*Fig. 2*



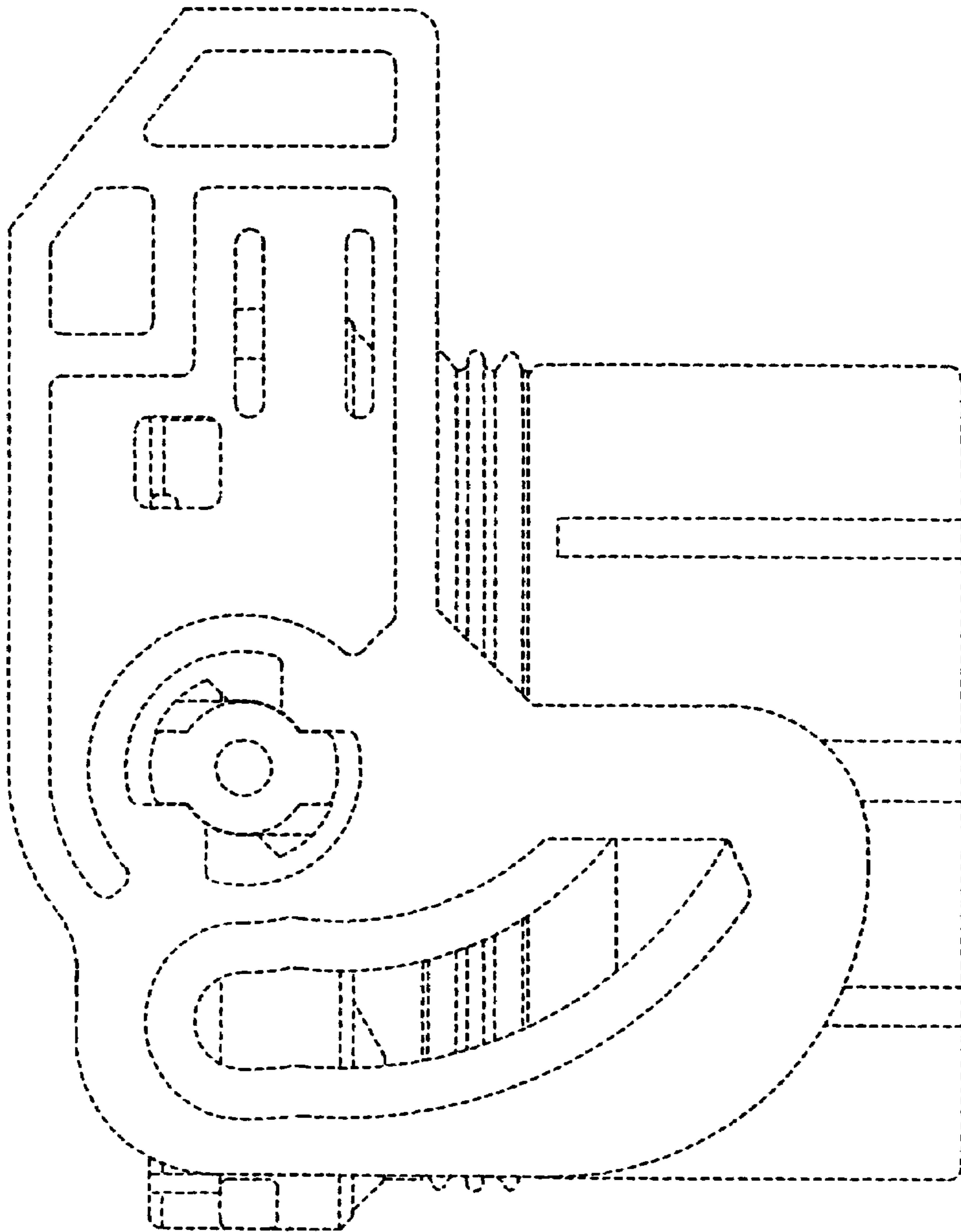
*Fig. 3*



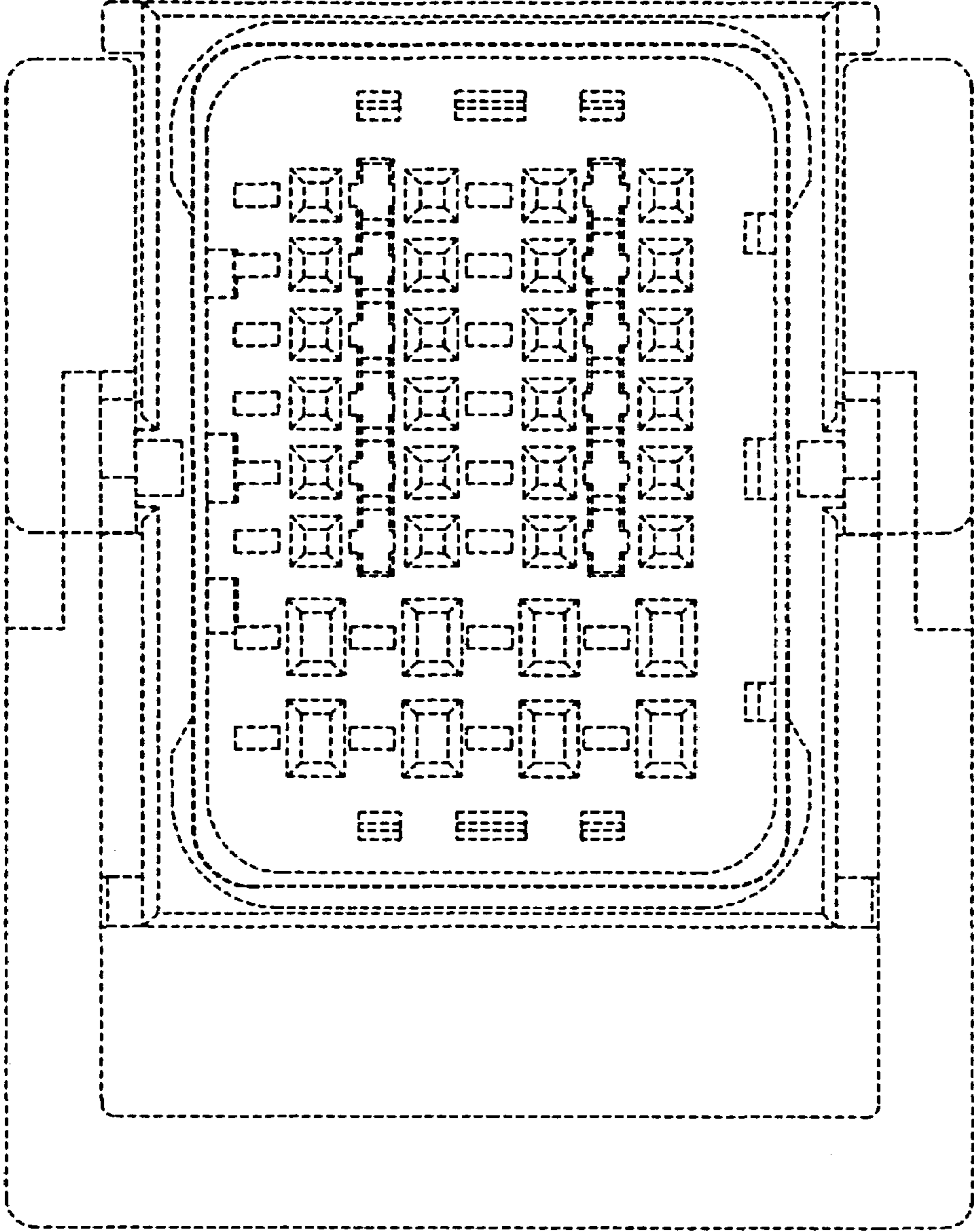
*Fig. 4*



*Fig. 5*



*Fig. 6*



*Fig. 7*