



US00D578484S

(12) **United States Design Patent**
Lannoch

(10) **Patent No.:** **US D578,484 S**
(45) **Date of Patent:** **** Oct. 14, 2008**

(54) **FIELD DISTRIBUTION BOX**
(75) Inventor: **Hans-Juergen Lannoch,**
Linkenheim-Hochstetten (DE)
(73) Assignee: **Sew-Eurodrive GmbH & Co. KG,**
Bruschal (DE)

D423,459 S 4/2000 Takase et al.
D464,643 S 10/2002 Hill et al.
D499,069 S 11/2004 Stanush et al.
D507,241 S 7/2005 Koessler
D532,380 S * 11/2006 Castaldo et al. D13/152
D553,093 S 10/2007 Miller
D554,590 S 11/2007 Vasarhelyi et al.
D556,145 S 11/2007 Williams et al.

(**) Term: **14 Years**

* cited by examiner

(21) Appl. No.: **29/318,817**

Primary Examiner—Brian N Vinson
(74) *Attorney, Agent, or Firm*—Kenyon & Kenyon LLP

(22) Filed: **May 28, 2008**

(57) **CLAIM**

Related U.S. Application Data

The ornamental design for a field distribution box, as shown and described.

(62) Division of application No. 29/239,970, filed on Oct. 5, 2005.

DESCRIPTION

(30) **Foreign Application Priority Data**

FIG. 1 is a front perspective view of an example embodiment of a field distribution box showing my new design.

Apr. 5, 2005 (DE) 4 05 01 899

FIG. 2 is rear perspective view thereof.

(51) **LOC (8) Cl.** **13-03**

FIG. 3 is a front view thereof.

(52) **U.S. Cl.** **D13/152**

FIG. 4 is a top view thereof.

(58) **Field of Classification Search** D12/139.4,
D12/139.5, 152; 174/50, 53-55, 58, 60,
174/66-67; 220/3.2, 3.3, 3.7-3.9, 241-242,
220/244, 315; 439/135-136, 138, 142, 367,
439/373, 535-537, 541, 892-893

FIG. 5 is a right side view thereof.

FIG. 6 is a left side view thereof; and,

FIG. 7 is a rear view thereof.

See application file for complete search history.

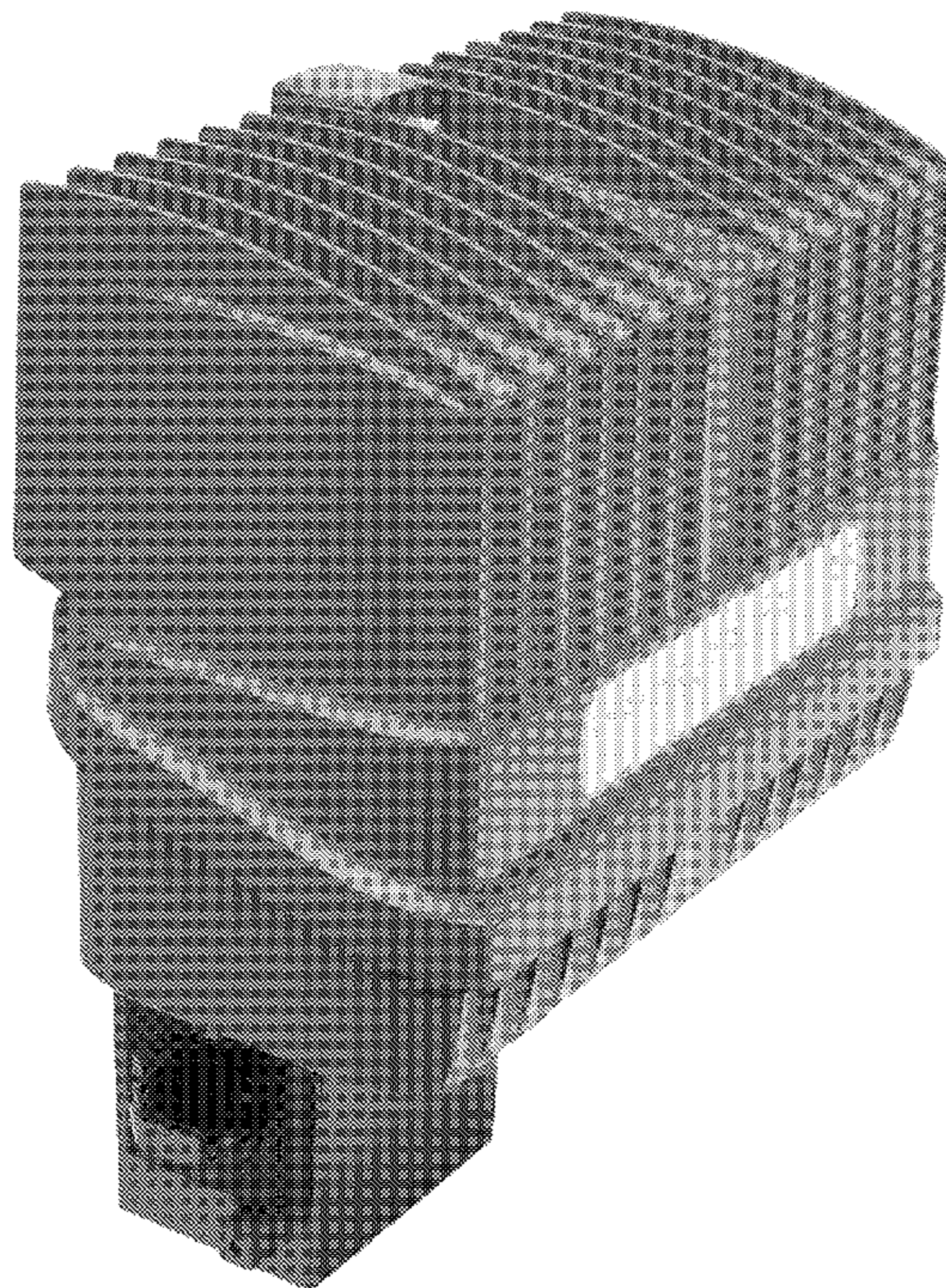
The field distribution box hereof may be used for controlling decentralized driving units, e.g., electric motors, and may supply electric power and/or control signals to the driving units.

(56) **References Cited**

U.S. PATENT DOCUMENTS

6,007,353 A 12/1999 Webster

1 Claim, 7 Drawing Sheets



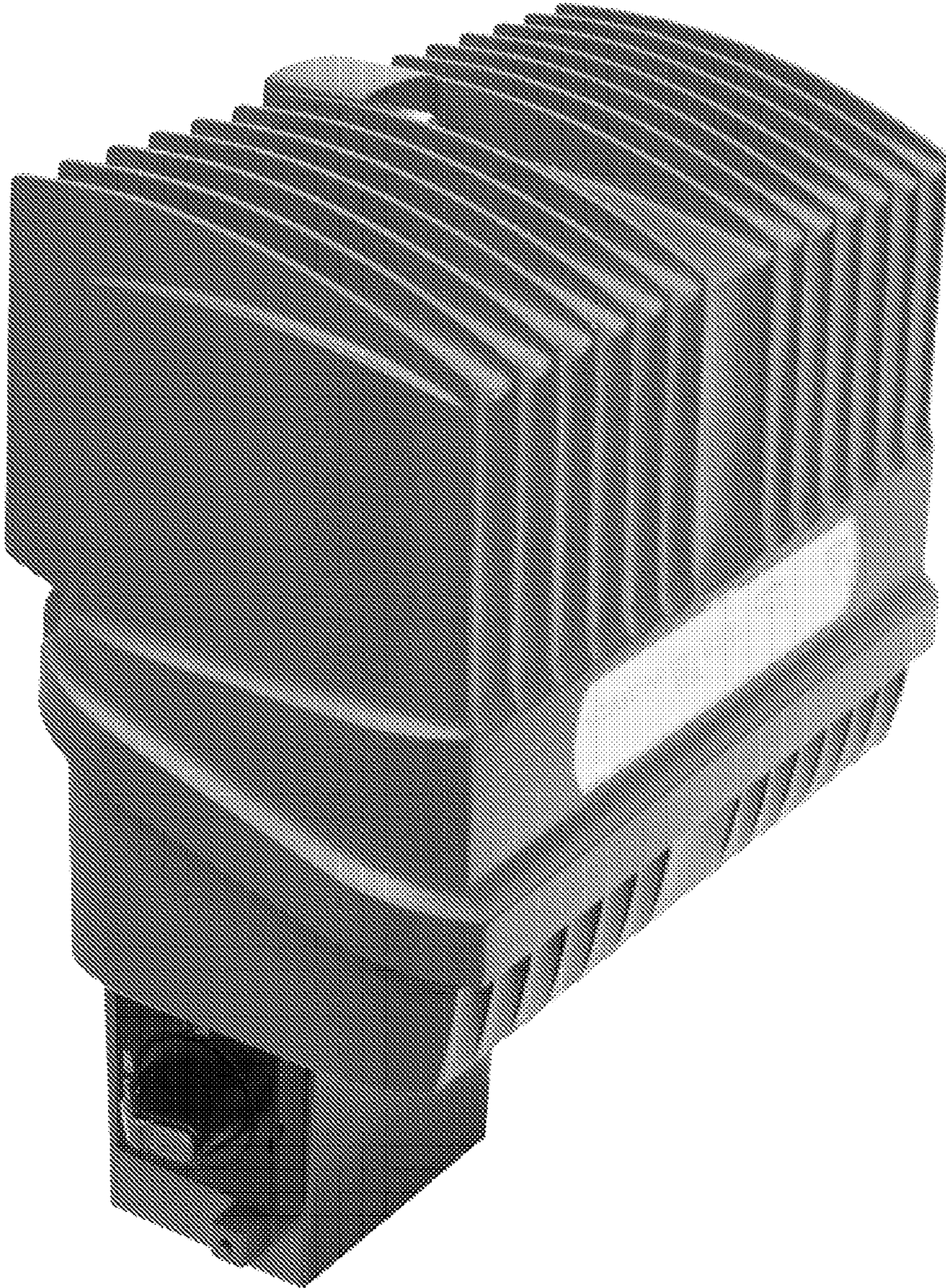


Fig. 1

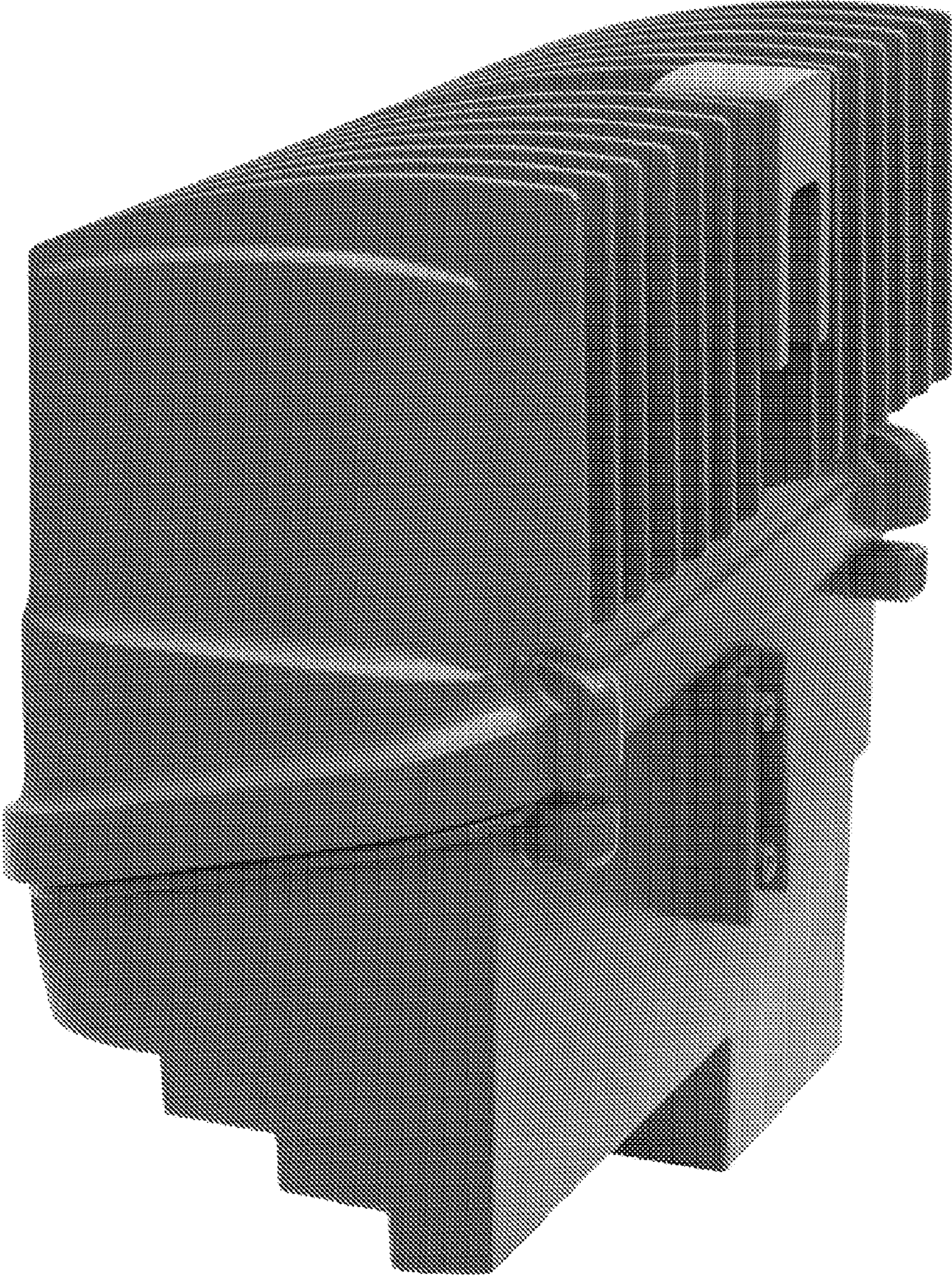


Fig. 2



Fig. 3

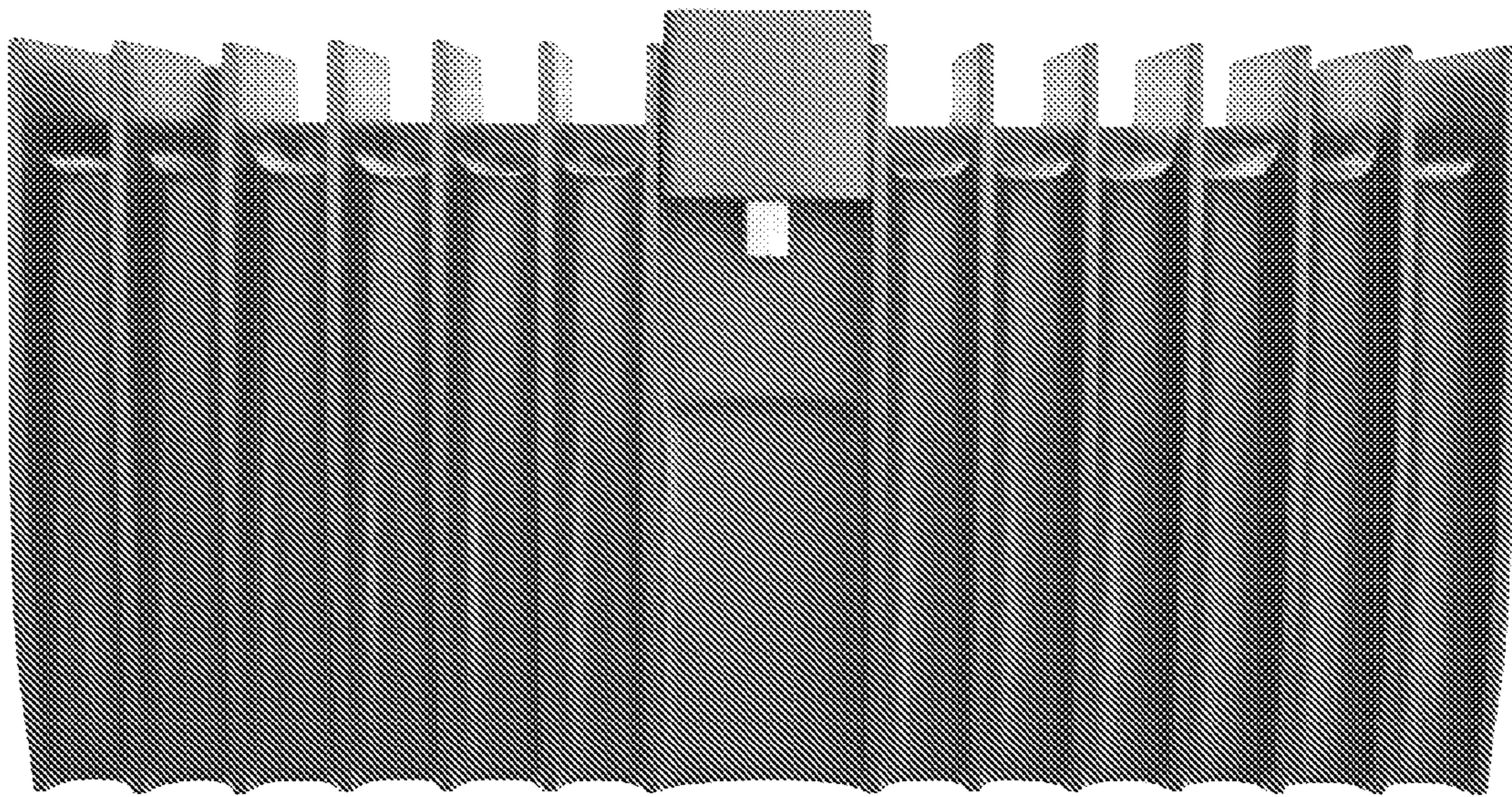


Fig. 4

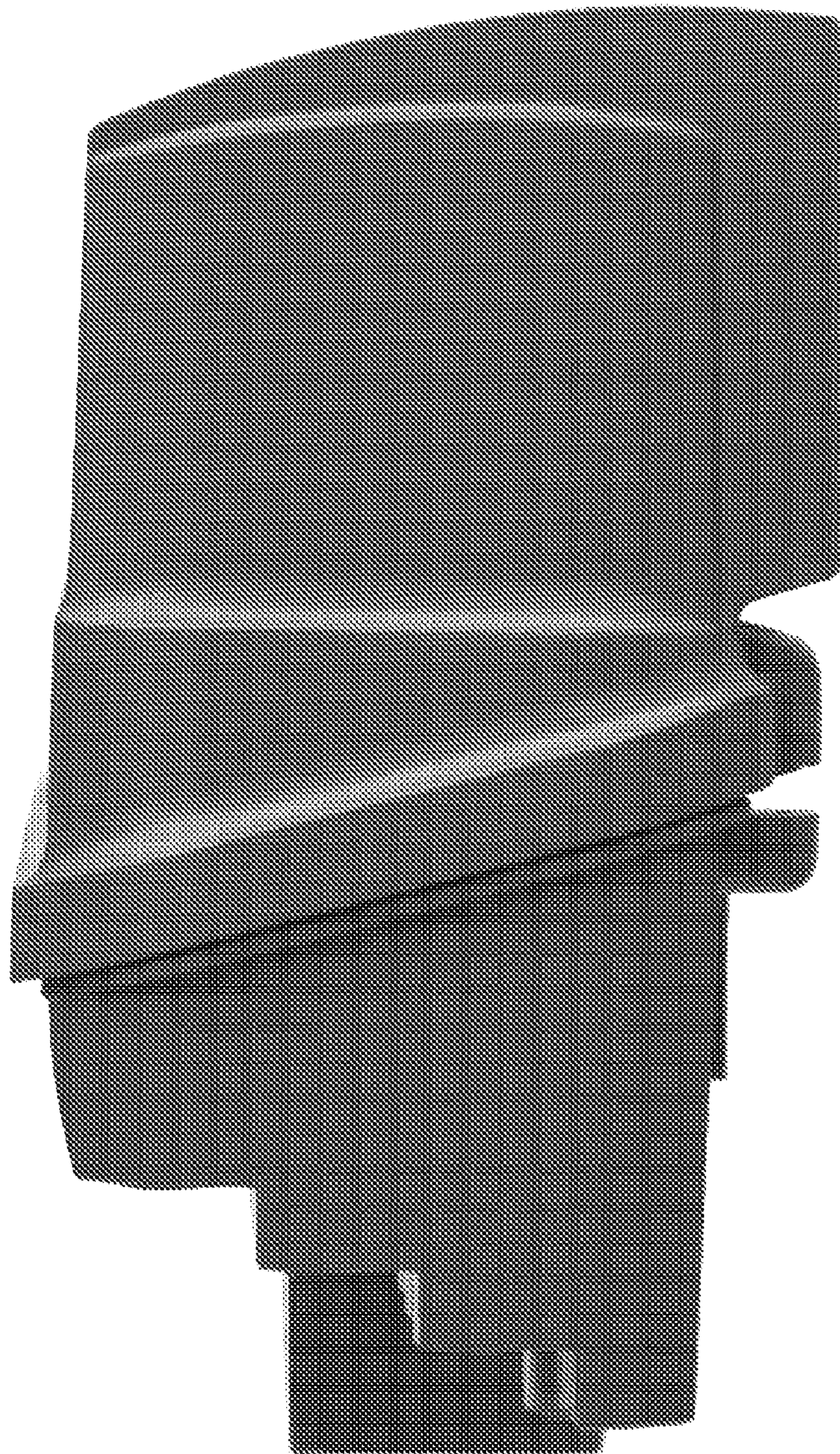


Fig. 5

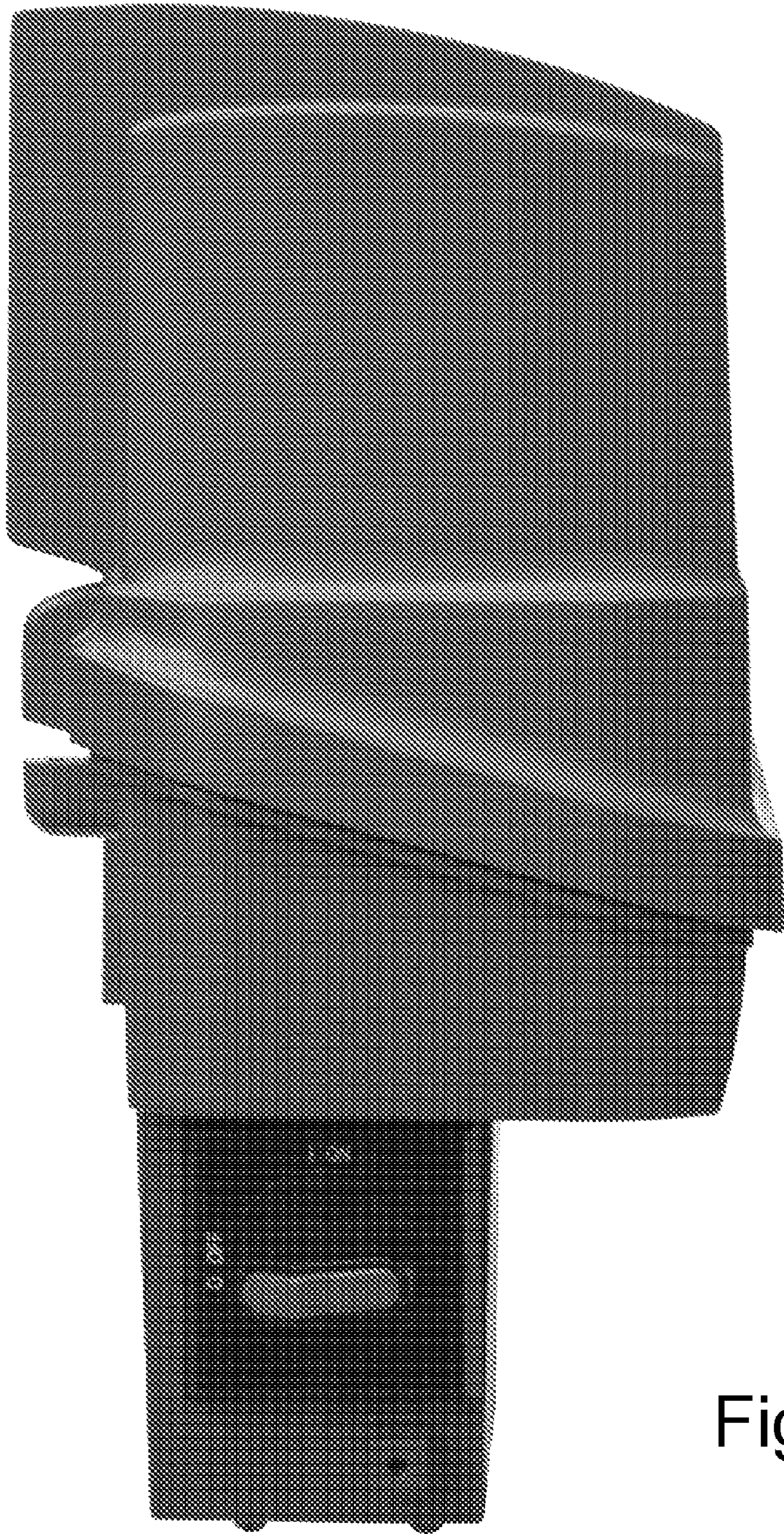


Fig. 6

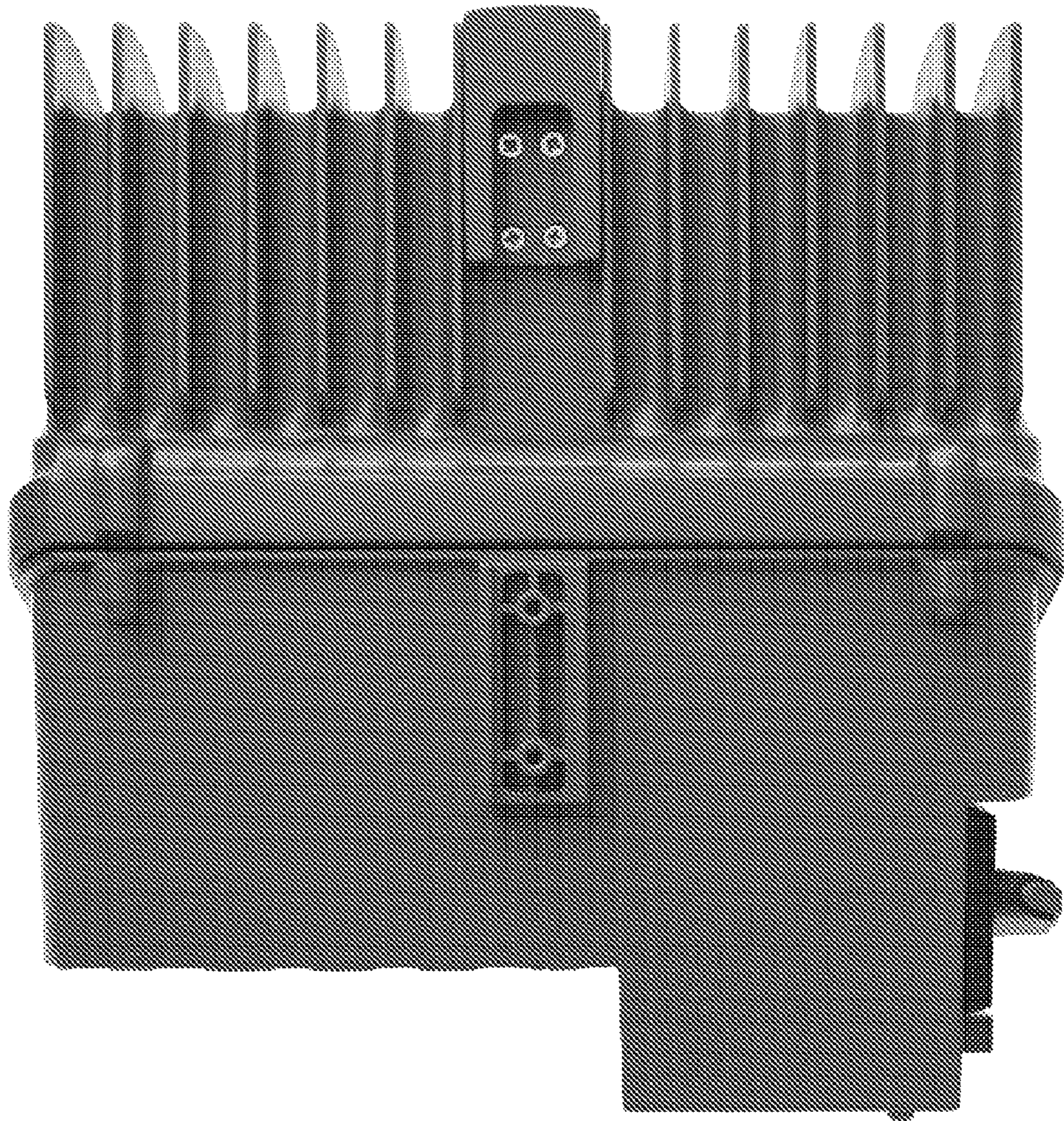


Fig. 7