



US00D578483S

(12) **United States Design Patent**
Lannoch

(10) **Patent No.:** **US D578,483 S**

(45) **Date of Patent:** **** Oct. 14, 2008**

(54) **FIELD DISTRIBUTION BOX**

(75) Inventor: **Hans-Juergen Lannoch,**
Linkenheim-Hochstetten (DE)

(73) Assignee: **Sew-Eurodrive GmbH & Co. KG,**
Bruschal (DE)

(**) Term: **14 Years**

(21) Appl. No.: **29/239,970**

(22) Filed: **Oct. 5, 2005**

(30) **Foreign Application Priority Data**

Apr. 5, 2005 (DE) 4 05 01 899

(51) **LOC (8) Cl.** **13-03**

(52) **U.S. Cl.** **D13/152**

(58) **Field of Classification Search** D12/139.4,
D12/139.5, 152; 174/50, 53-55, 58, 60,
174/66-67; 220/3.2, 3.3, 3.7-3.9, 241-242,
220/244, 315; 439/135-136, 138, 142, 367,
439/373, 535-537, 541, 892-893

See application file for complete search history.

(56) **References Cited**

U.S. PATENT DOCUMENTS

6,007,353 A * 12/1999 Webster 439/142
D423,459 S * 4/2000 Takase et al. D13/152
D464,643 S * 10/2002 Hill et al. D13/152

D499,069 S * 11/2004 Stanush et al. D13/152
D507,241 S * 7/2005 Koessler D13/152
D553,093 S * 10/2007 Miller D13/152
D554,590 S * 11/2007 Vasarhelyi et al. D13/152
D556,145 S * 11/2007 Williams et al. D13/152

* cited by examiner

Primary Examiner—Brian N Vinson

(74) *Attorney, Agent, or Firm*—Kenyon & Kenyon LLP

(57) **CLAIM**

The ornamental design for a field distribution box, as shown and described.

DESCRIPTION

FIG. 1 is a front perspective view of an example embodiment of a field distribution box showing my new design.

FIG. 2 is rear perspective view thereof.

FIG. 3 is a front view thereof.

FIG. 4 is a top view thereof.

FIG. 5 is a right side view thereof.

FIG. 6 is a left side view thereof; and,

FIG. 7 is a rear view thereof.

The field distribution box hereof may be used for controlling decentralized driving units, e.g., electric motors, and may supply electric power and/or control signals to the driving units.

1 Claim, 7 Drawing Sheets

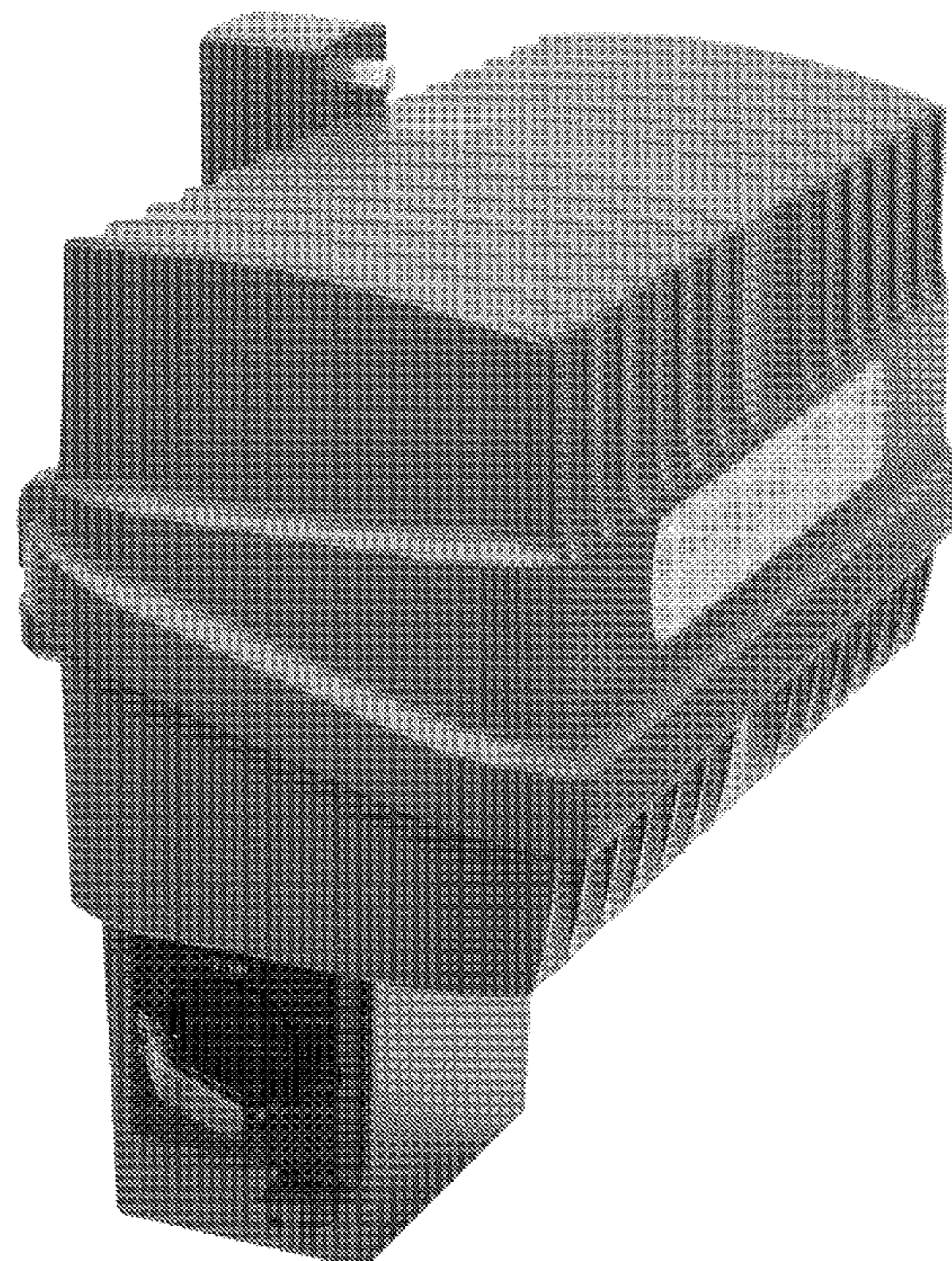




Fig. 1

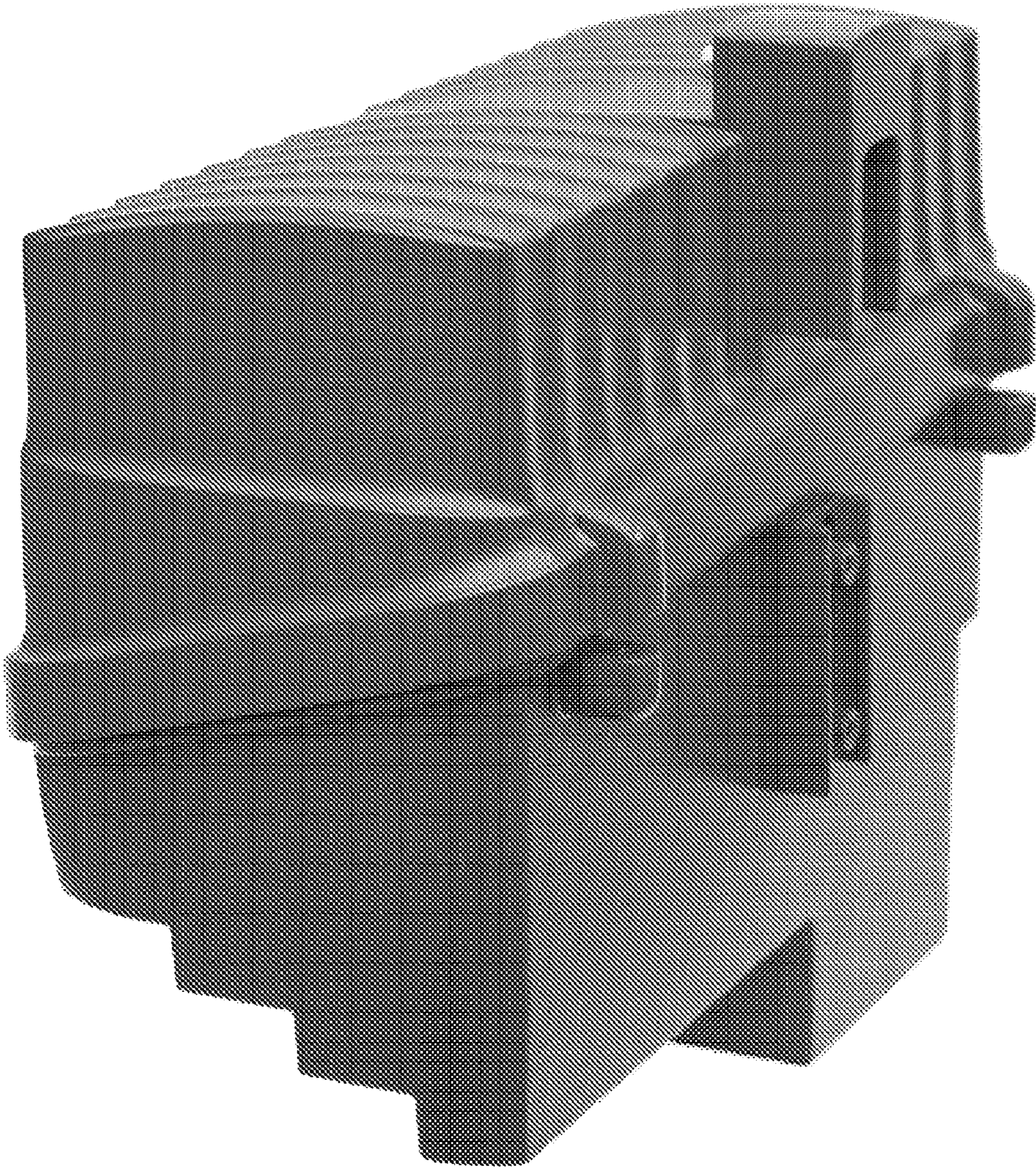


Fig. 2

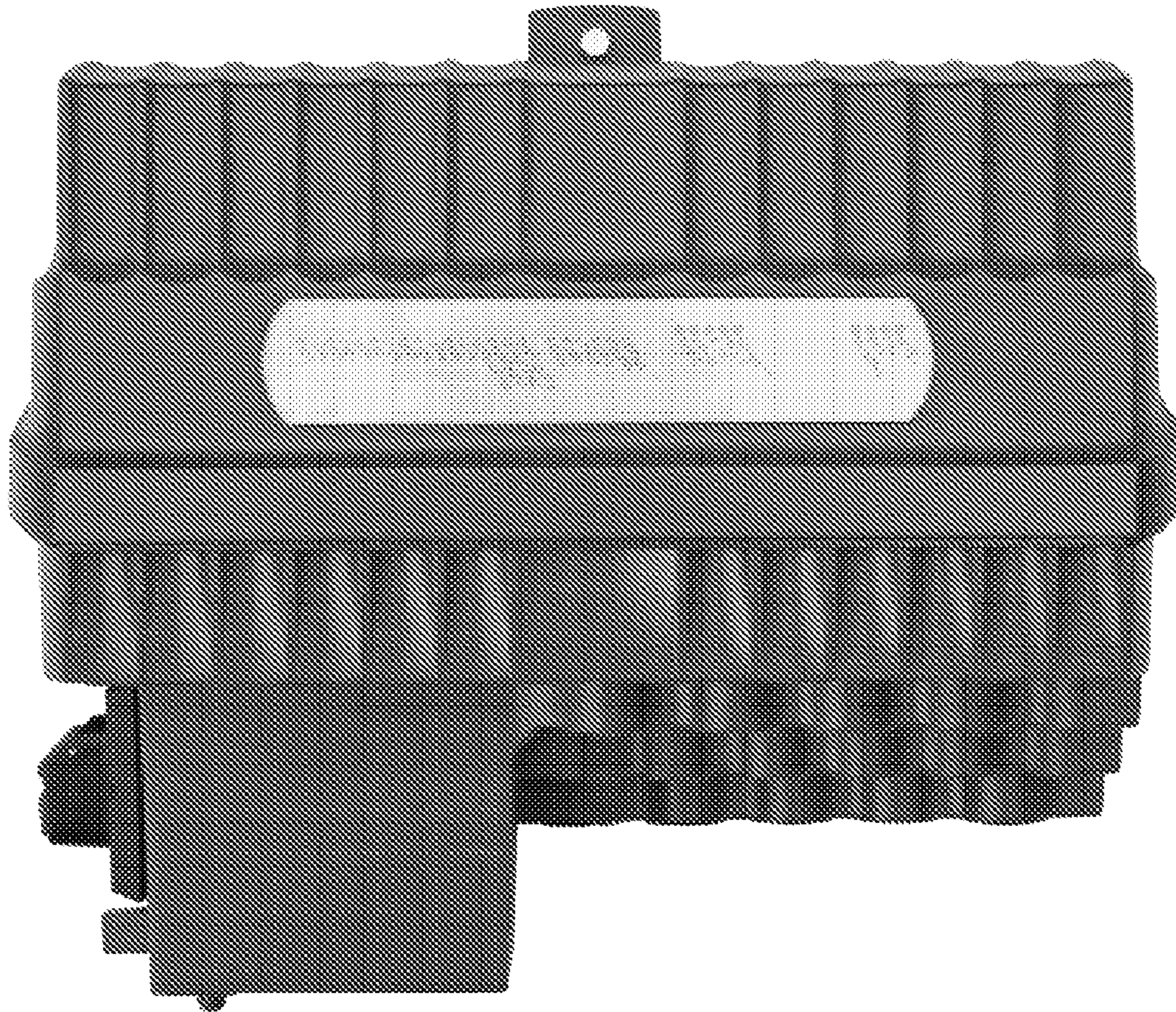


Fig. 3

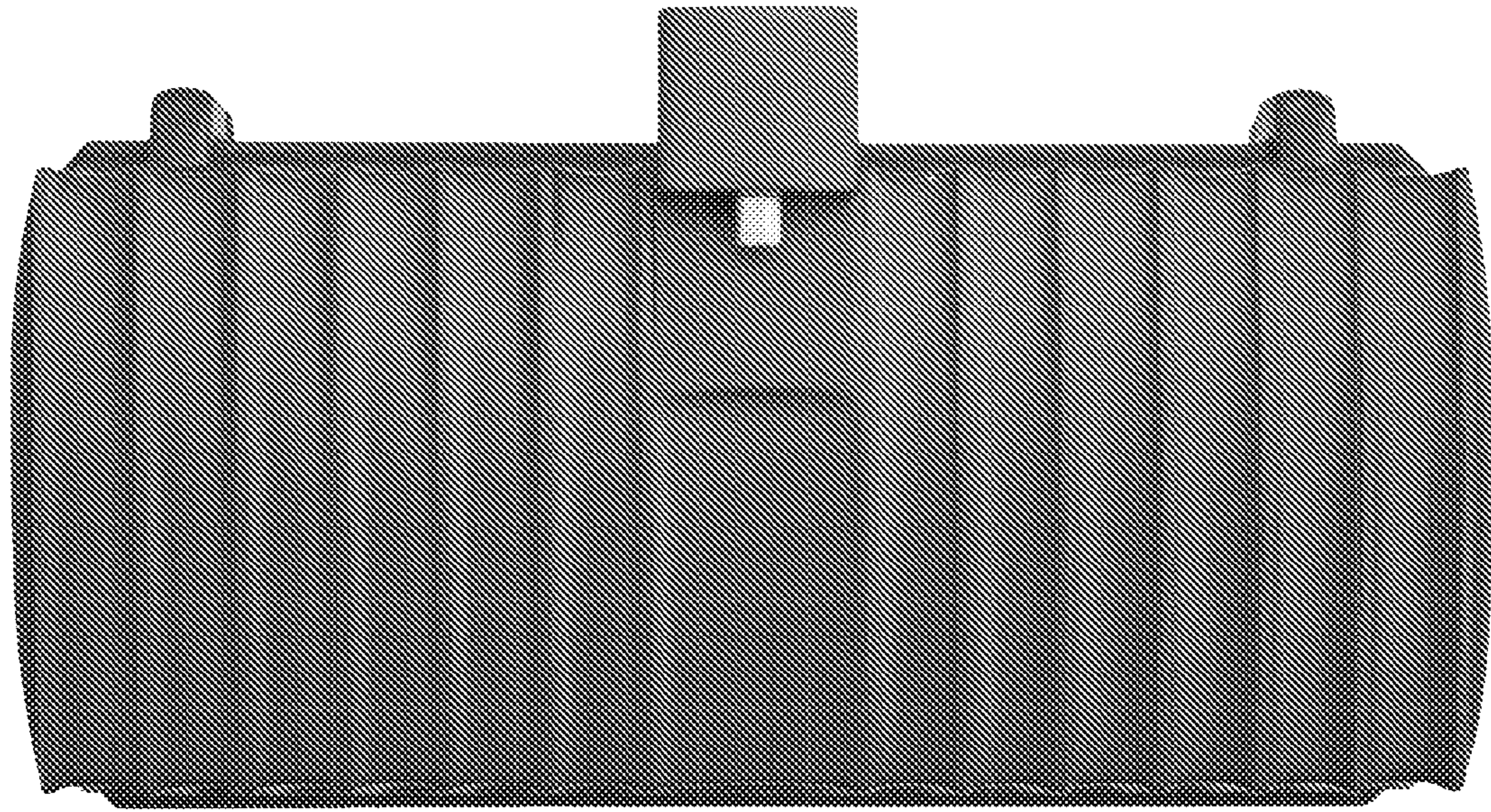


Fig. 4

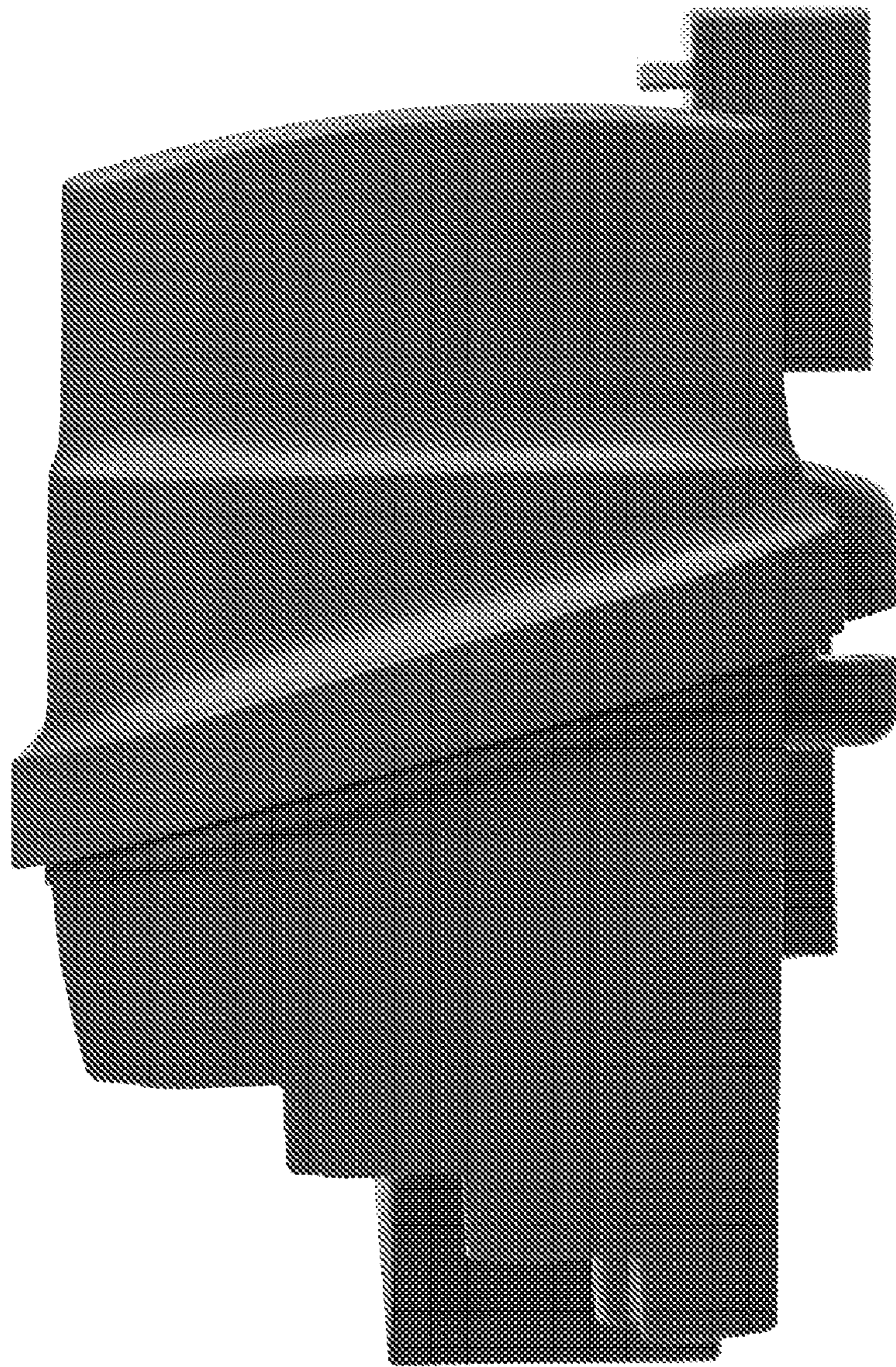


Fig. 5

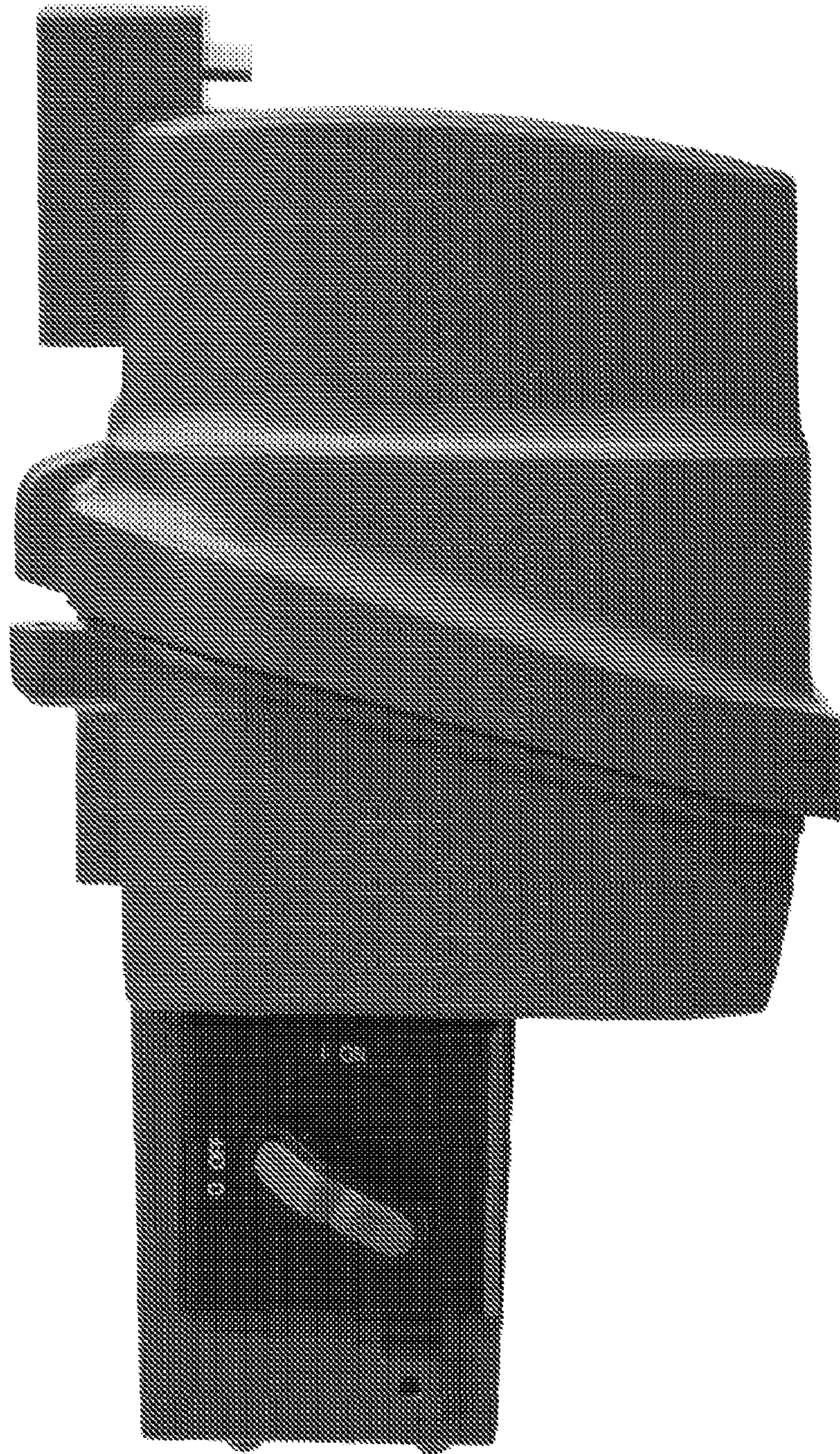


Fig. 6

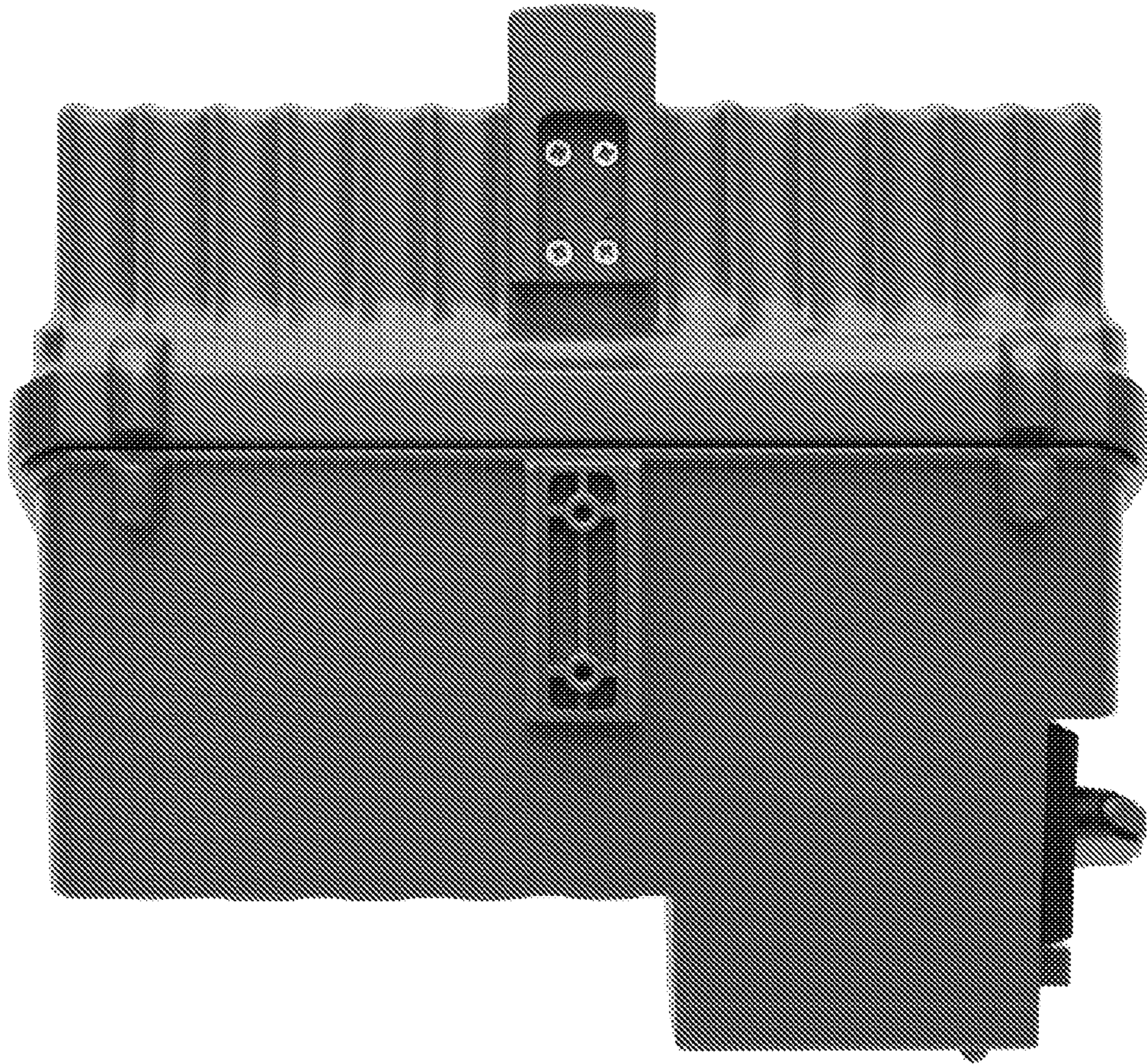


Fig. 7