



US00D578479S

(12) **United States Design Patent**  
**Shen et al.**

(10) **Patent No.:** **US D578,479 S**

(45) **Date of Patent:** **\*\* Oct. 14, 2008**

(54) **ELECTRICAL CONNECTOR**

(75) Inventors: **Guo-Jian Shen**, Kunshan (CN);  
**Ren-Chih Li**, Tu-Cheng (TW)

(73) Assignee: **Hon Hai Precision Inc. Co., LT**, Taipei  
Hsien (TW)

(\*\*) Term: **14 Years**

(21) Appl. No.: **29/291,839**

(22) Filed: **Sep. 17, 2007**

(30) **Foreign Application Priority Data**

Mar. 20, 2007 (CN) ..... 2007 3 0029171

(51) **LOC (8) Cl.** ..... **13-03**

(52) **U.S. Cl.** ..... **D13/147**

(58) **Field of Classification Search** ..... D13/146-147,  
D13/154, 184; 439/79, 607-610, 660, 680-682,  
439/686

See application file for complete search history.

(56) **References Cited**

**U.S. PATENT DOCUMENTS**

D412,700 S \* 8/1999 Gardner et al. .... D13/147

D416,863 S \* 11/1999 Sato et al. .... D13/147

D431,531 S \* 10/2000 Chih ..... D13/147

D553,091 S \* 10/2007 Lin et al. .... D13/147

D555,103 S \* 11/2007 Iino et al. .... D13/147

\* cited by examiner

*Primary Examiner*—Daniel D Bui

(74) *Attorney, Agent, or Firm*—Wei Te Chung

(57) **CLAIM**

The ornamental design for an electrical connector, as shown and described.

**DESCRIPTION**

FIG. 1 is a front, top and right side perspective view of an electrical connector showing our new design;

FIG. 2 is a front elevational view thereof;

FIG. 3 is a rear elevational view thereof;

FIG. 4 is a left side elevational view thereof;

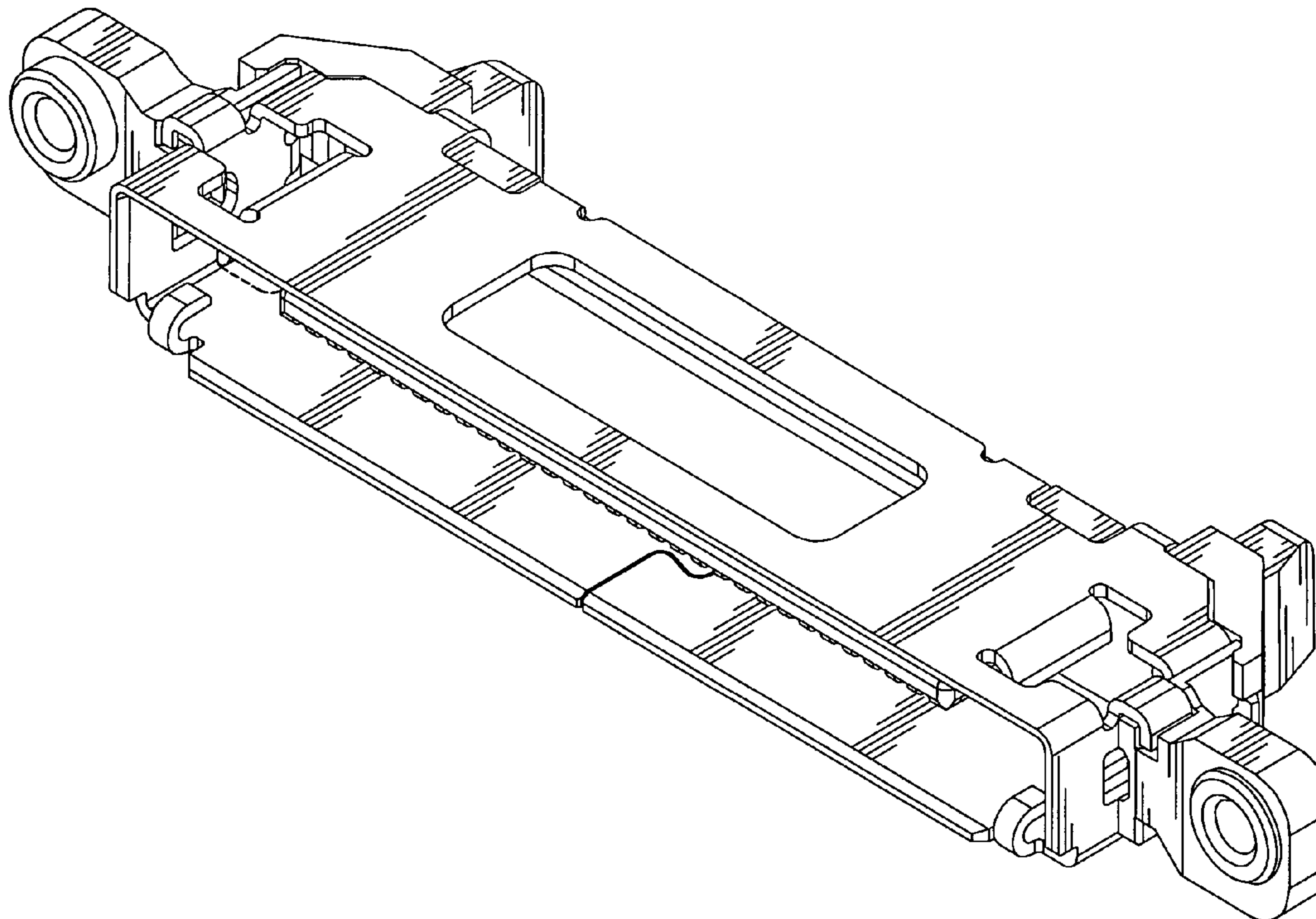
FIG. 5 is a right side elevational view thereof;

FIG. 6 is a top plan view thereof; and,

FIG. 7 is a bottom plan view thereof.

The broken line of the internal elements of the connector shown in FIGS. 1, 2, 4, 5, 6 and 7 is unclaimed subject matter and forms no part of the claimed design.

**1 Claim, 7 Drawing Sheets**



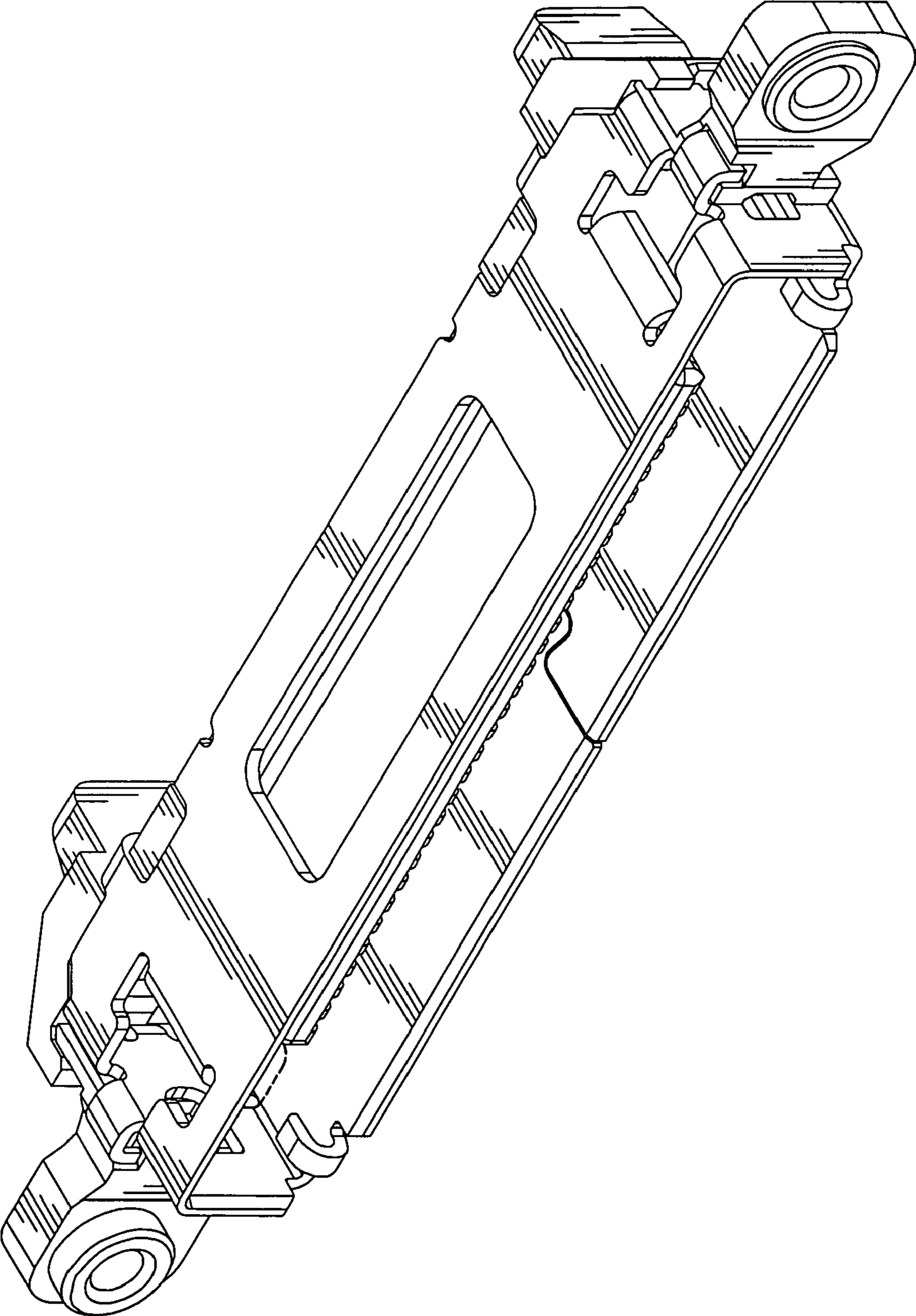


FIG. 1

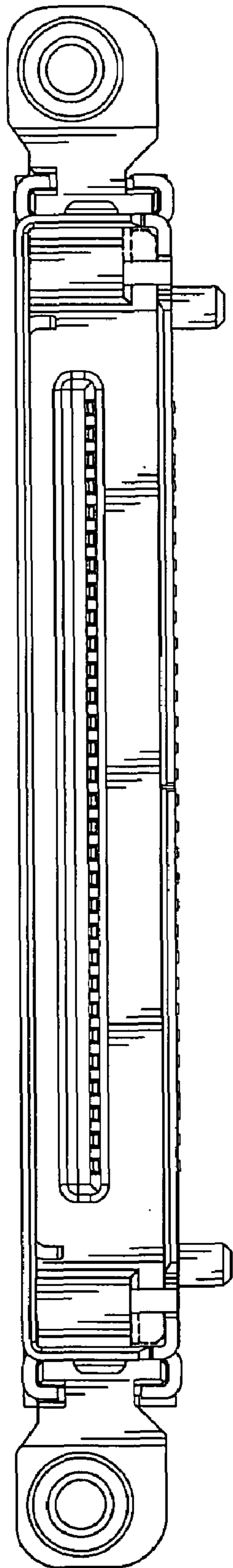


FIG. 2

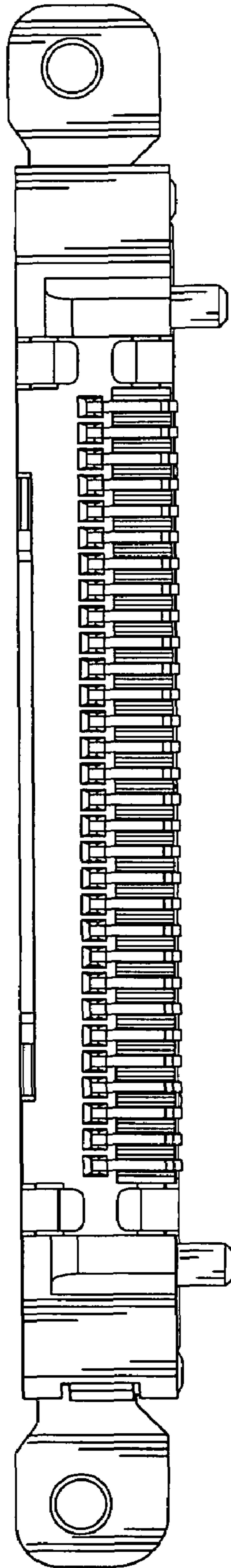


FIG. 3

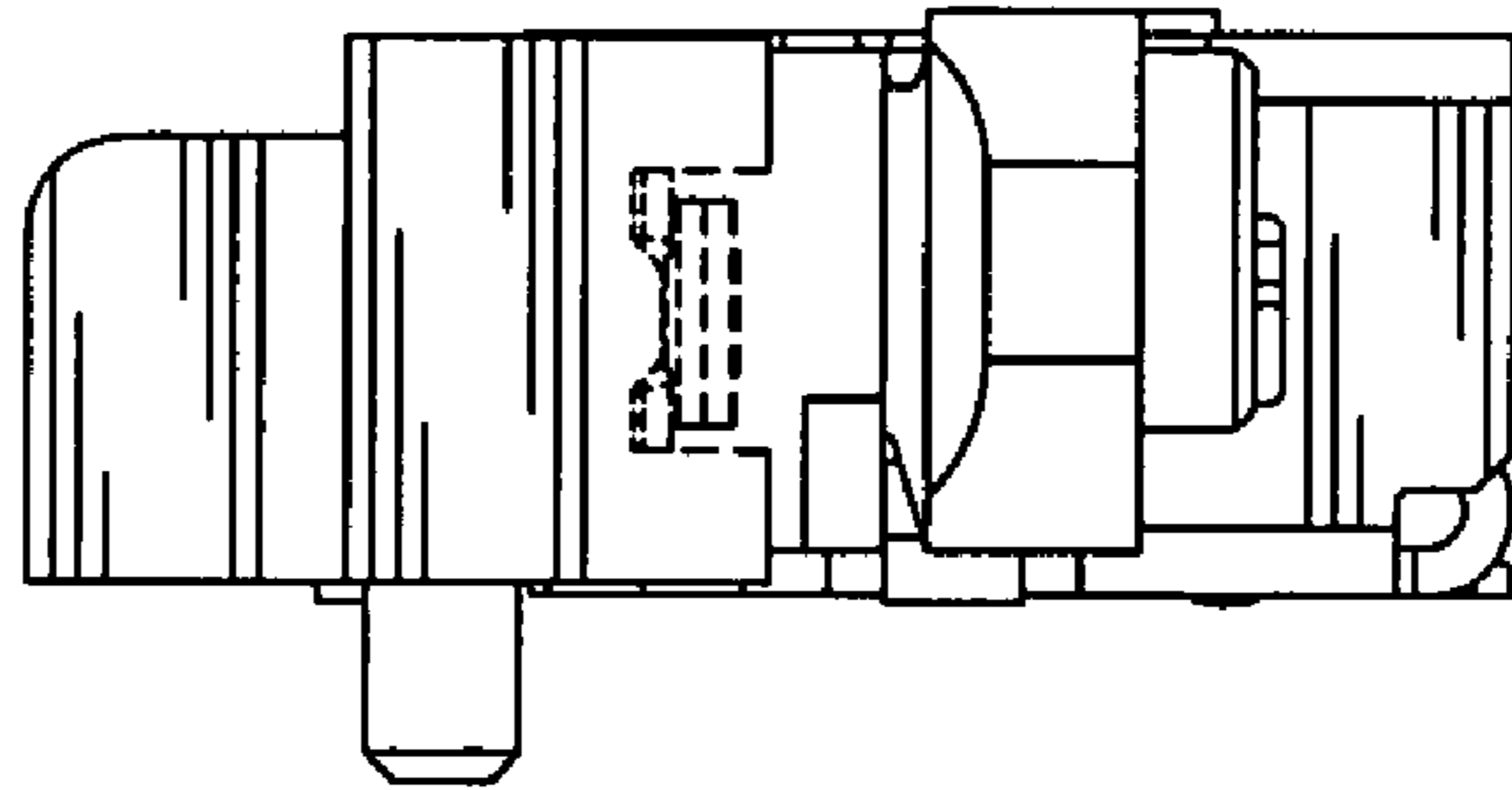


FIG. 4

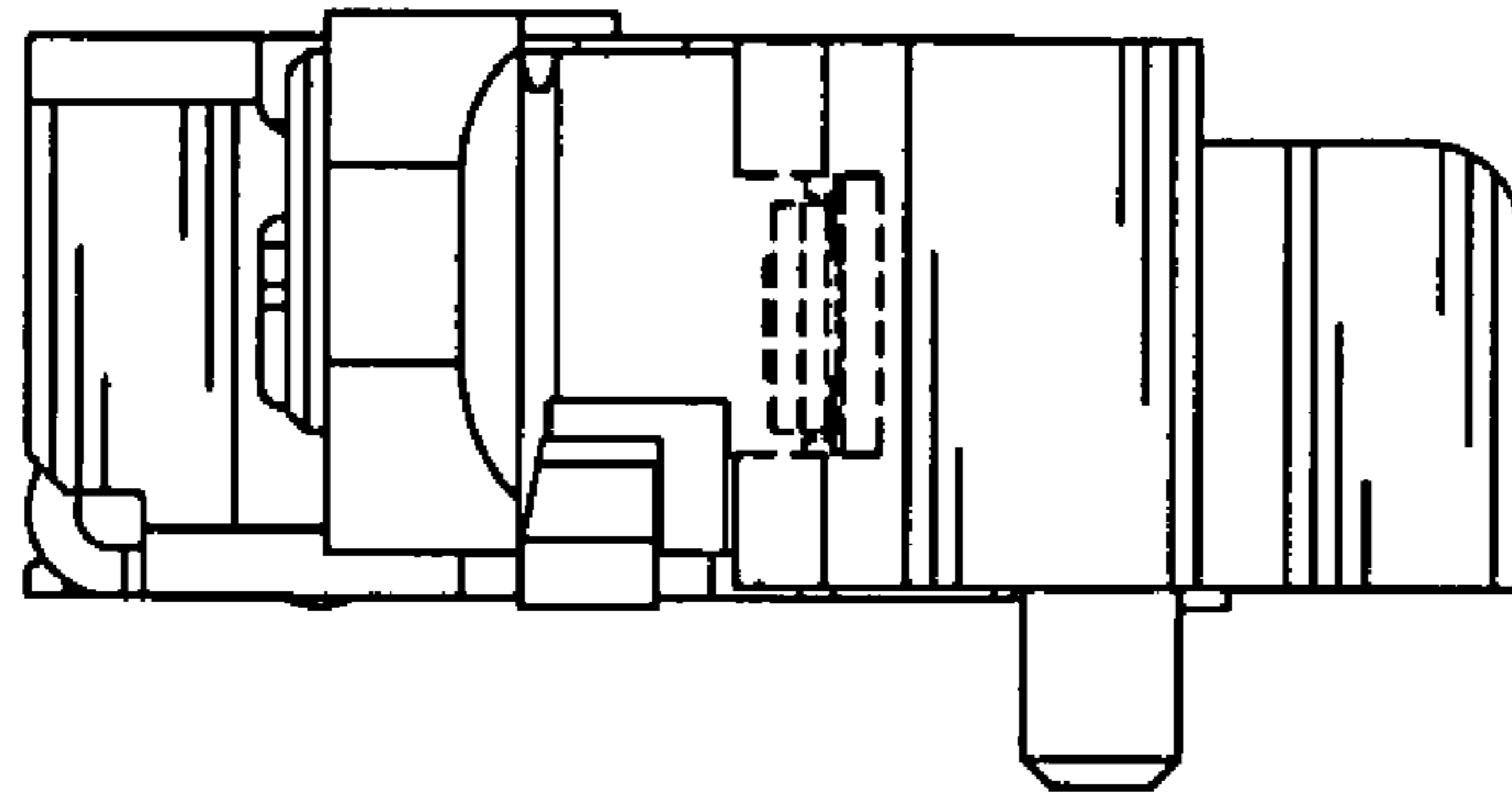


FIG. 5

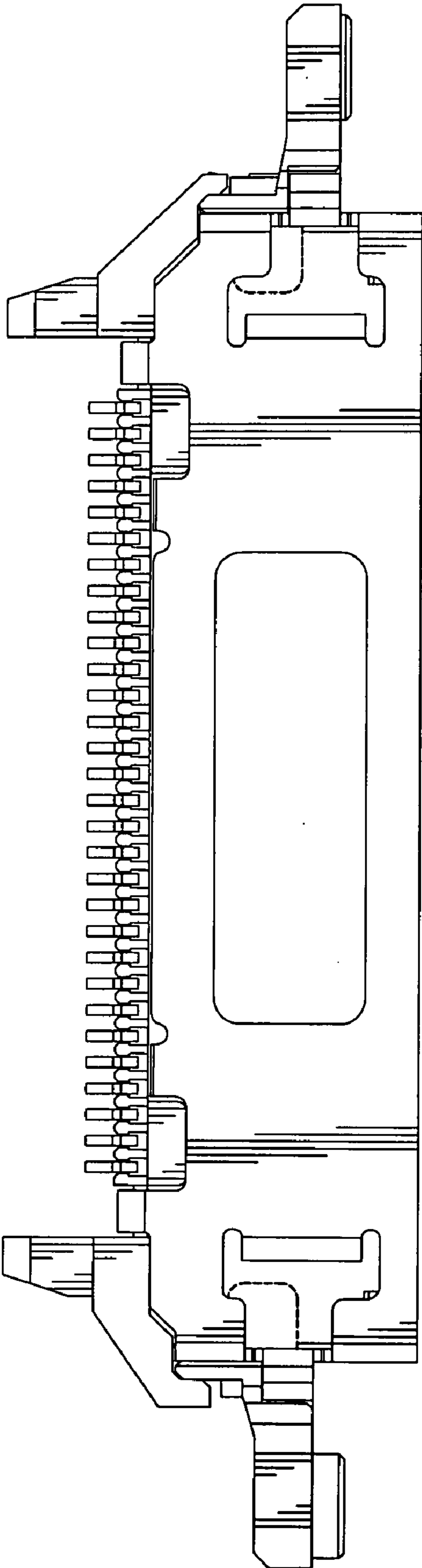


FIG. 6

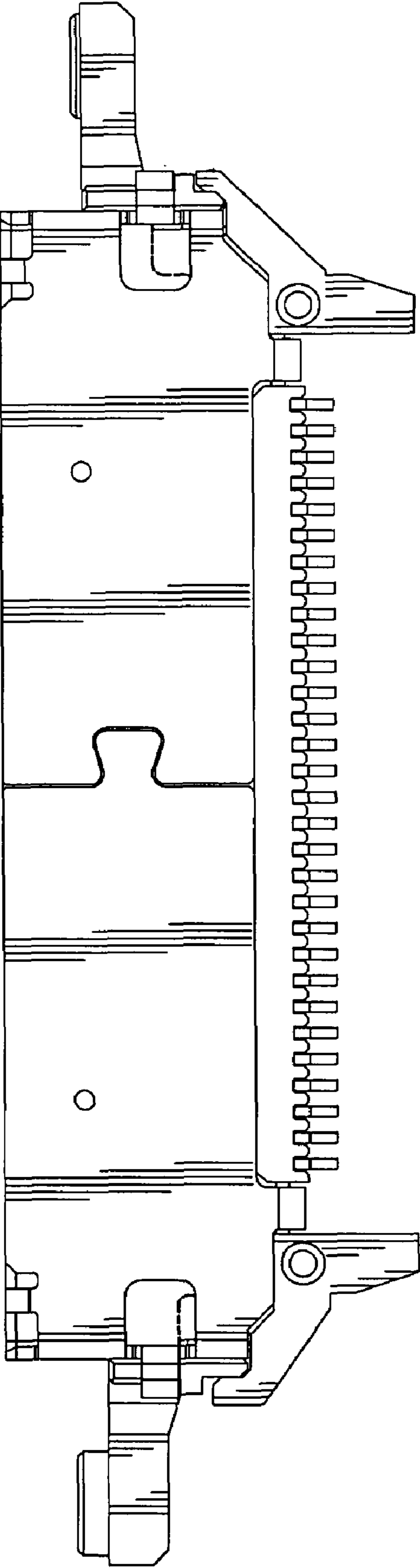


FIG. 7